

GH-2480ZHD ENGINE LATHE

PARTS LIST

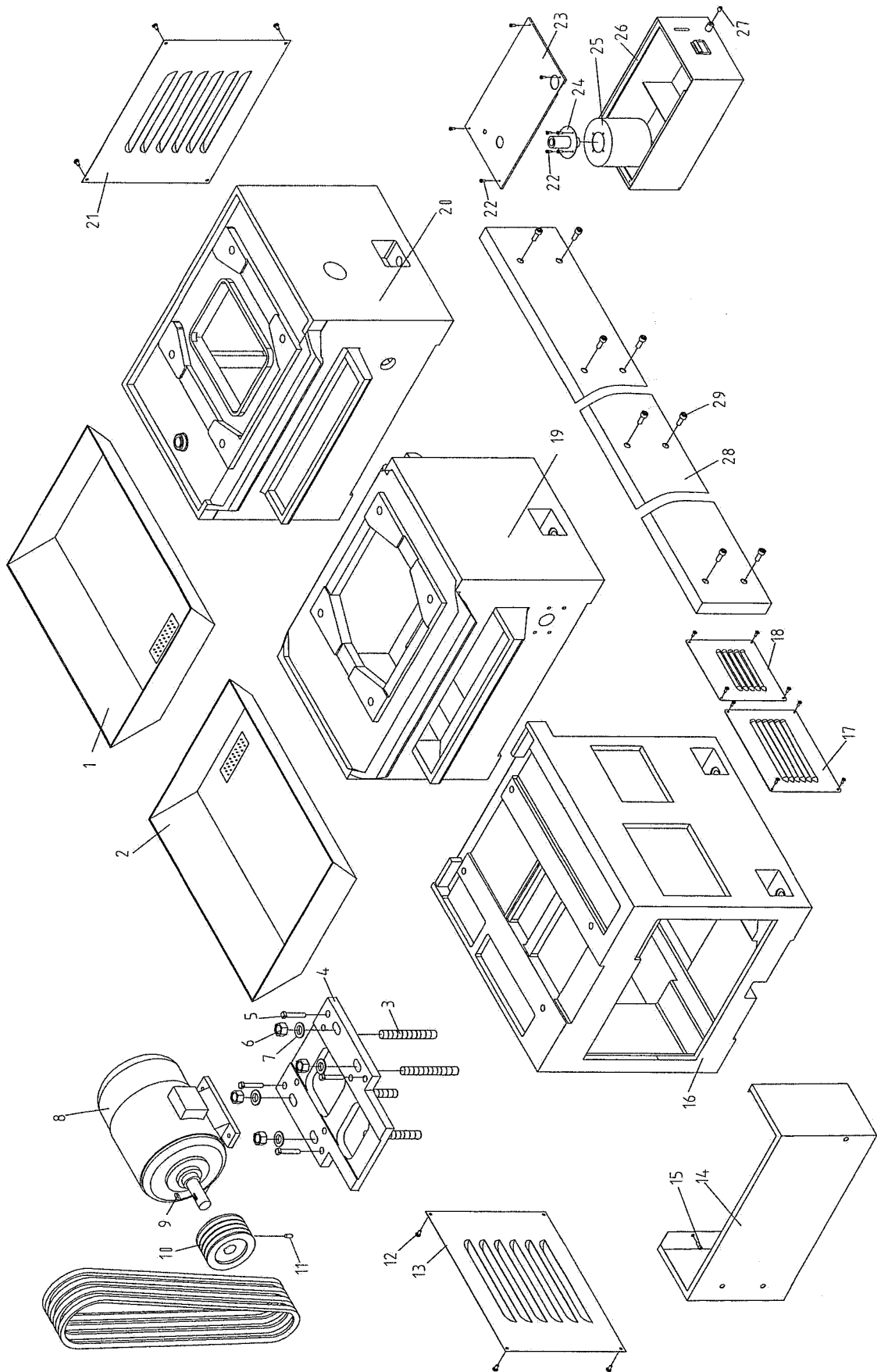
Table of Contents

Table of Contents	1
Bed Assembly I.....	2-4
Bed Assembly II.....	5-6
Bed Assembly III.....	7-8
Headstock Assembly I.....	9-11
Headstock Assembly II.....	12-14
Headstock Assembly III.....	15-17
Headstock Assembly IV.....	18-20
Headstock Assembly V.....	21-22
Tailstock Assembly I.....	23-24
Tailstock Assembly II.....	25-26
Tool Post Assembly I.....	27-28
Tool Post Assembly II.....	29-30
Tool Post Assembly III.....	31-33
Quick Change Gear Box Assembly I.....	34-36
Quick Change Gear Box Assembly II.....	37-39
Quick Change Gear Box Assembly III.....	40-41
Apron Assembly I.....	42-44
Apron Assembly II.....	45-47
Apron Assembly III.....	48-50
Apron Assembly IV.....	51-53
Change Gear Assembly (Metric).....	54-55
Big Steady Rest Assembly.....	56-57
Small Steady Rest Assembly.....	58-59
Follow Rest Assembly.....	60-61

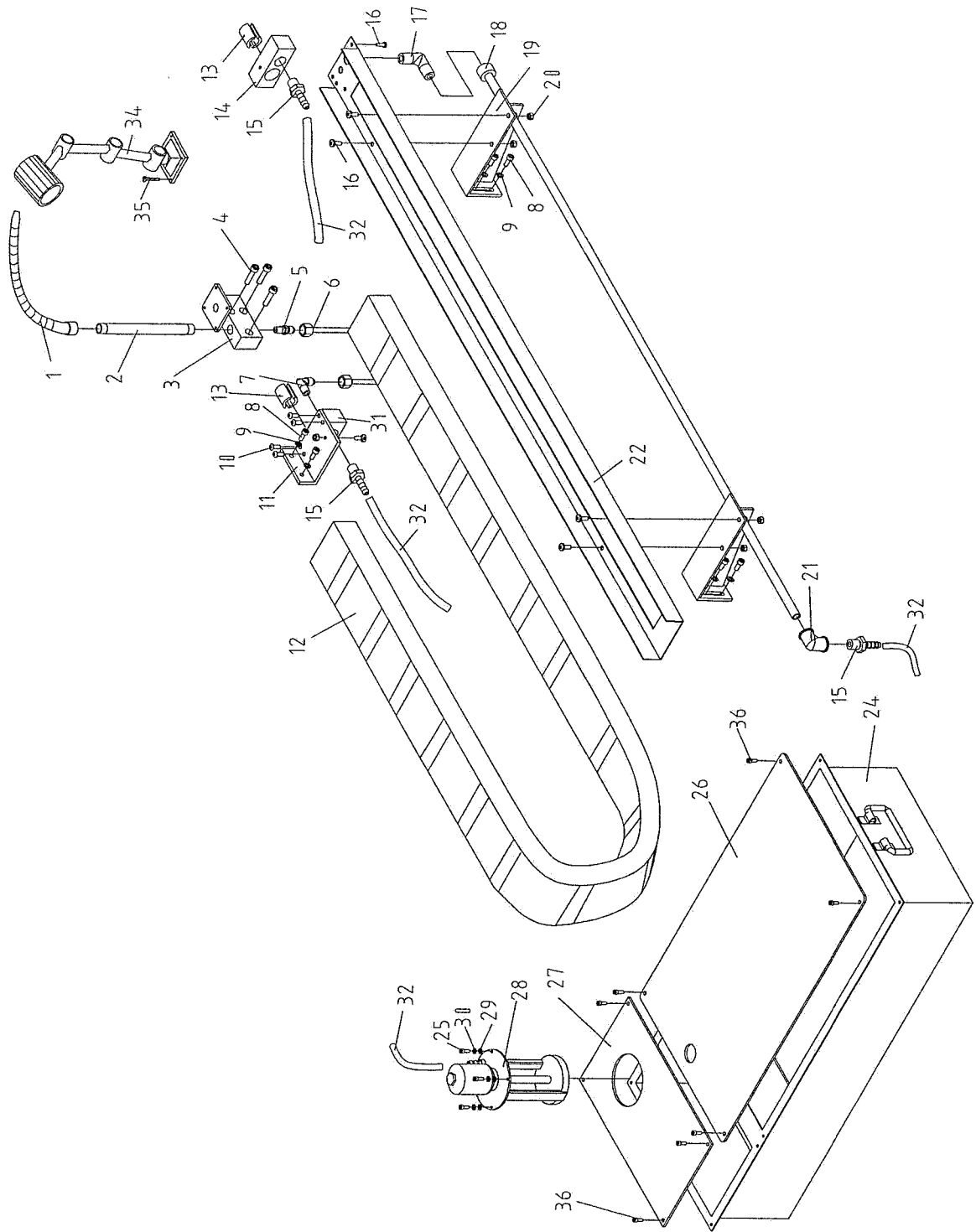
Bed Assembly I

Index No.	Part No.	Description	Size	Qty.
1	C628001703	Plug	(For 62 Series)	2
2	GB70	Hex Socket Cap Screw	M20×60(For 62 Series)	4
3	GB70	Hex Socket Cap Screw	M12×60(For 62 Series)	1
4	CW6163A01103	Saddle	(For 62 Series)	1
5	GB118	Inner Thread Taper Pin	M20×45(For 62 Series)	2
6	GB70	Hex Socket Cap Screw	M16×40(For 62 Series)	1
7	C628001704	Positioning Pin		1
8	350Y-8B	Valve Body Assembly		1
9	CW6263A01101	Bed	(For 62 Series)	1
	CW6163A01101	Bed	(For 61Series)	1
10	GB818	Cross Pan Head Screw	M6×16	7
11	CW6163A 01721	Cover		4
12	C628001709	Pipe Tie-in		1
13	C628001710	Pipe Tie-in		1
14	CB-B6	Gear Pump		1
15	GB65	Slotted Cap Screw	M6×15	16
16	C628001706	Oli Pump Connecting Flange		1
17	GB894.1	Circlip For Shaft	25	2
18	61905	Deep Groove Ball Bearing	25×42×9	2
19	C628001707	Spacer		1
20	C628001705	T Type Nut		4
21	GB70	Hex Socket Cap Screw	M10×40	4
22	C628001107	Pump Support		1
23	C628001111	Small Pulley		1
24	A-800	V-belt		1
25	CW6163A01107	Support		1
26	GB70	Hex Socket Cap Screw	M10×60	4
27	CW6163A01712	Shaft		1
28	GB1096	Key	6×25	1
29	GB894.1	Circlip For Shaft	50	1
30	CW6163A01711	Gear		1
31	GB78	Hex Socket Set Screw	M6×10	1
32	GB894.1	Circlip For Shaft	50	1
33	GB1096	Key	6×25	1
34	CW616301710	Positioning Sleeve		1
35	GB308	Steel ball	10	2
36	GB2089	Spring	1×9×30	2
37	C628001739	Guiding Rod		2
38	C628001741	Connecting Sleeve		1
39	GB119	Pin	A10×75	1
40	GB78	Hex Socket Set Screw	M6×8	1
41	GB119	Pin	A10×25	1
42	C628001740	Lever Support		1
43	GB117	Taper Pin	5×35	1
44	C628001742	Operation Lever		1
45	GB4141.12	Lever Cover	M12×40	1
46	CW6163A01704	Gear		2
47	CW6163A01705	Washer		1
48	CW6163A01706	Sleeve		1
49	GB117	Taper Pin	5×30	1
50	GB117	Taper Pin	6×30	1

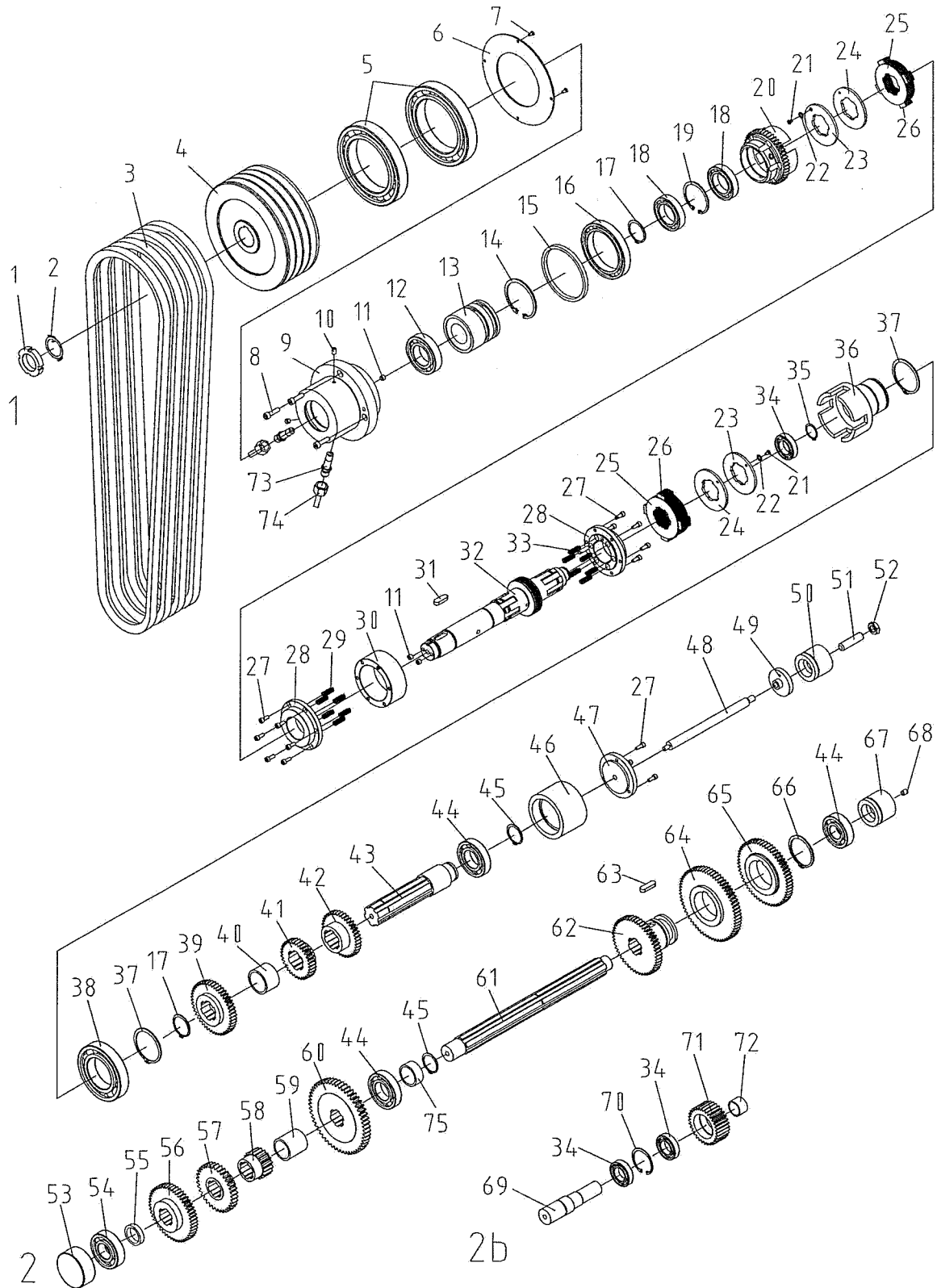
Bed Assembly II



Bed Assembly III



Head Stock Assembly I

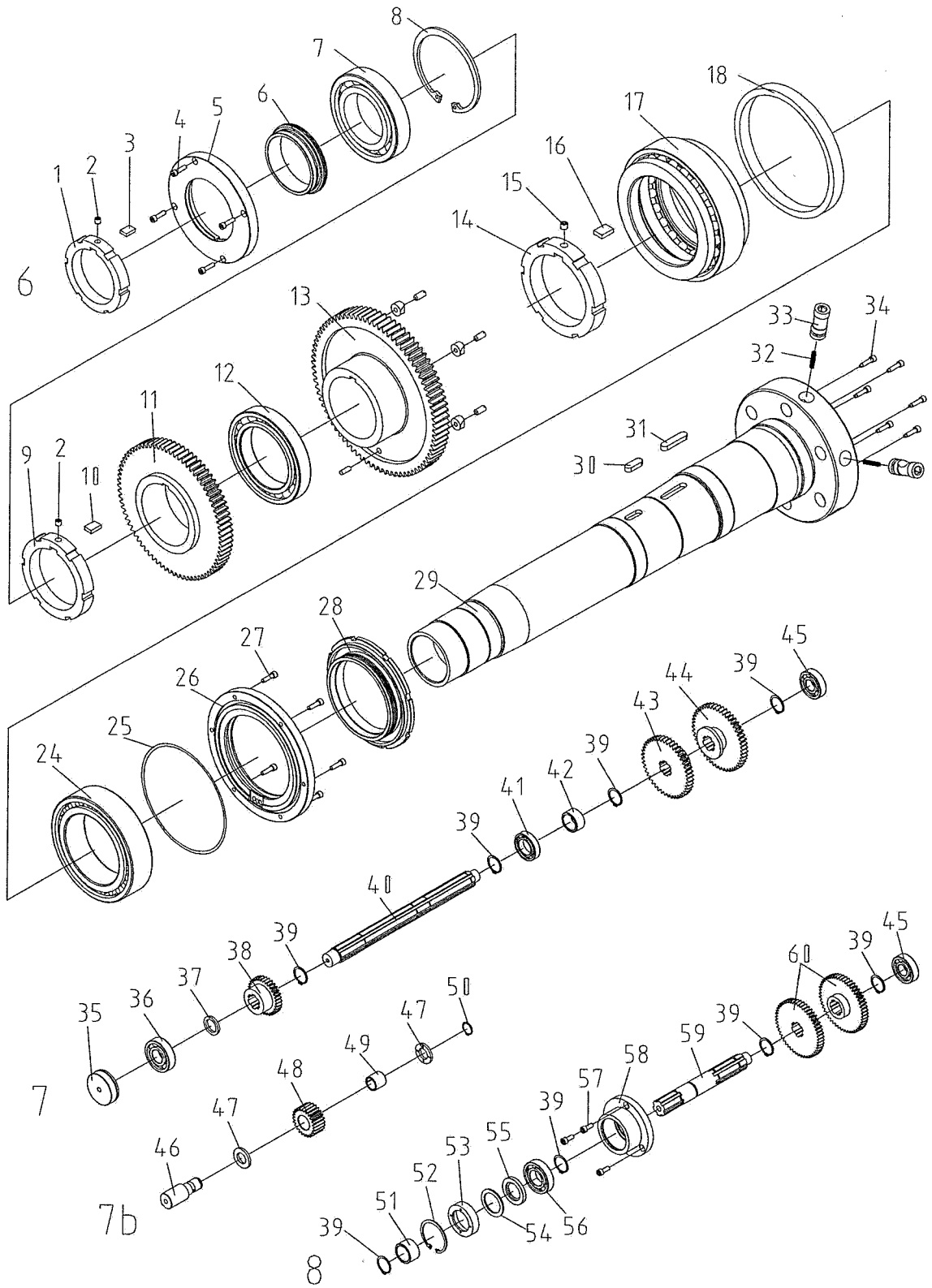


52.....	GB6172	Hex Thin Nut.....	M16.....	1
53.....	C6280-02120	Stopper.....		1
54.....	6307	Deep Groove Ball Bearing.....	35×80×21	1
55.....	C6280-02121	Spacer		1
56.....	C6280-02747	Gear		1
57.....	C6280-02749	Gear		1
58.....	C6280-02738	Gear		1
59.....	C6280-02112	Spacer.....		1
60.....	C6280-02737	Gear		1
61.....	C6280-02748	Shaft II		1
62.....	C6280-02729	Gear		1
63.....	GB1096	Key	12×40	1
64.....	C6280-02732	Gear		1
65.....	C6280-02730	Gear		1
66.....	GB894.1.....	Circlip For Shaft.....	65	1
67.....	C6280-02105	Stopper.....		1
68.....	GB73	Slotted Set Screw.....	M10×12.....	1
69.....	C6280-02743	Shaft II _b		1
70.....	GB893.1.....	Circlip for Hole.....	55	1
71.....	C6280-02739	Gear		1
72.....	C6280-02115	Spacer		1
73.....	G92-3A-31.....	Taper Thread Fitting	10(f)-Z1/4"	2
74.....	G91-3.....	Buckle Fitting Sleeve.....	10	2
	Y91-1A	Buckle Fitting Nut	10	2
		Copper Pipe	10	2
75.....	CK6150B02105.....	Spacer		1

Head Stock Assembly II

Index No.	Part No.	Description	Size	Qty.
1.....	GB6172	Hex Thin Nut	M20	2
2.....	Q81-1	Cylindrical Compressed Spring	5×32×60	1
3.....	GB117	Taper Pin	8×40	2
4.....	GB70	Hex Socket Cap Screw	M8×25	4
5.....	C6280-02752	Brake Base		1
6.....	GB3452.1	O Ring	20×3.55	1
7.....	GB13871	Oil Seal	B-20×35×7	1
8.....	C6280-02755	Liner		1
9.....	GB819	Slotted Countersunk Screw	M6×12	3
10.....	GB894.1	Circlip For Shaft	20	1
11.....	C6280-02122	Spacer		1
12.....	C6280-02756	Piston Rod		1
13.....	C6280-02754	Outer Friction Disc		1
14.....	C6280-02501	Inner Friction Disc		2
15.....	GB869	Countersunk Rivet	4×16	6
16.....	C6280-02753	Inner Disc Base Plate		1
17.....	C6280-02757	Liner		1
18.....	G51-2A	O Ring	115×3.1	1
19.....	C6280-02758	Base		1
20.....	GB3452.1	O Ring	122×3.55	1
21.....	GB894.1	Circlip For Shaft	45	4
22.....	GB893.1	Circlip for Hole	85	2
23.....	6209	Deep Groove Ball Bearing	45×85×19	2
24.....	GB894.1	Circlip For Shaft	70	1
25.....	C6280-02759	Gear		1
26.....	C6280-02760	Gear		1
27.....	C6280-02761	Gear		1
28.....	GB1096	Key	12×55	1
29.....	C6280-02762	Shaft III		1
30.....	6309	Deep Groove Ball Bearing	45×100×25	3
31.....	C6280-02763	Gear		1
32.....	C6280-02764	Double Gear		1
33.....	C6280-02765	Inner and Outer Gear		1
34.....	GB1096	Key	8×25	1
35.....	C6280-02766	Gear		1
36.....	GB73	Slotted Set Screw	M10×12	2
37.....	6208	Deep Groove Ball Bearing	40×80×18	3
38.....	GB893.1	Circlip for Hole	80	1
39.....	C6280-02107	Spacer		1
40.....	6308	Deep Groove Ball Bearing	40×90×23	1
41.....	C6280-02722	Spacer		1
42.....	C6280-02721	Spacer		1
43.....	C6280-02718	Gear		1
44.....	GB894.1	Circlip For Shaft	60	1
45.....	C6280-02717	Shaft V		1
46.....	C6280-02714	Bevel Gear		1
47.....	C6280-02716	Moving Disc		1
48.....	GB894.1	Circlip For Shaft	80	1
49.....	C6280-02104	Spacer		1
50.....	C6280-02715	Pushing Pan		1
51.....	CW6163A02103	Stopper		1

Head Stock Assembly III

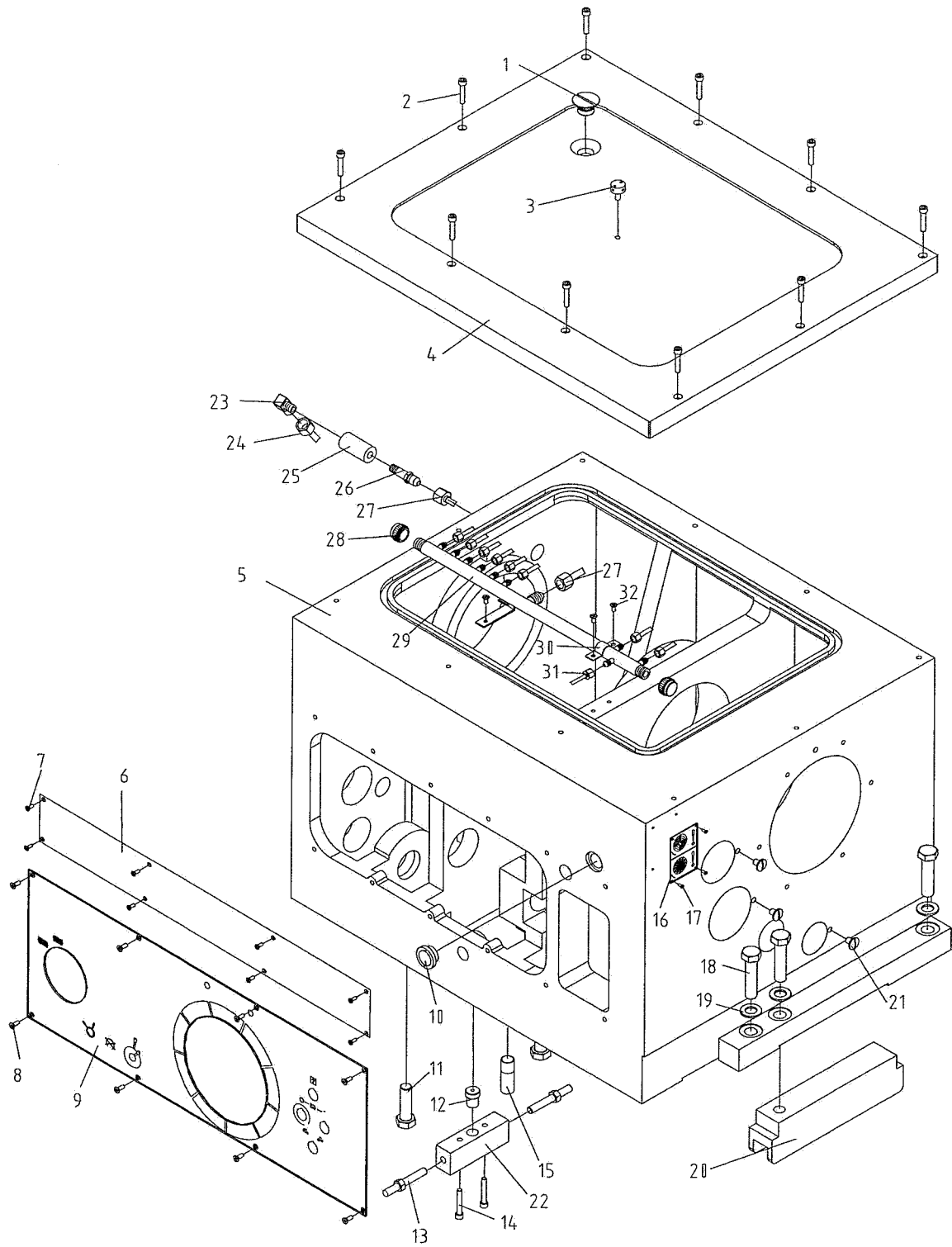


57.....	GB70	Hex Socket Cap Screw	M8×20.....	3
58.....	C6280-02128	Bearing Support.....		1
59.....	C6280-02769	Shaft VIII.....		1
60.....	CW6163A02705.....	Gear		2

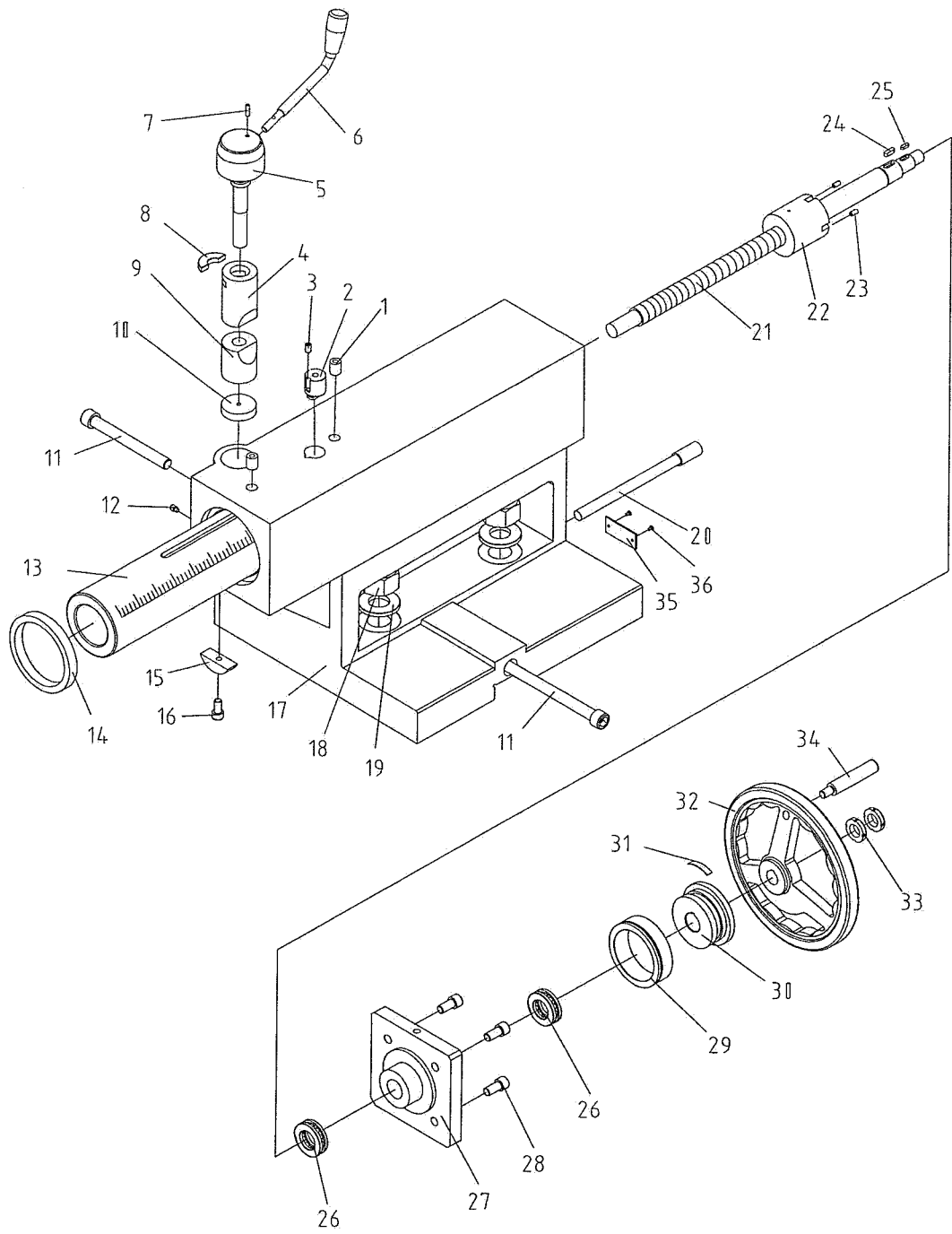
Head Stock Assembly IV

Index No.	Part No.	Description	Size	Qty.
1	C6280-02134	Fork		1
2	GB812	Round Nut	M16×1.5	6
3	C6280-02785	Eccentric Bolt		2
4	C6280-02139	Rocker		1
5	C6280-02784	Pin Axle		1
6	C6280-02145	Moving Block		4
7	C6280-02146	Rocker		1
8	GB71	Taper End Set Screw	M6×8	1
9	C6280-02147	Rocker		1
10	GB1096	Key	5×16	9
11	C6280-02795	Shaft		1
12	C6280-02148	Stopper		1
13	GB3452.1	O Ring	25×2.65	1
16	C6280-02790	Sleeve		1
17	C6280-02791	Rolling Sleeve		1
18	GB119	Pin	8n6×32	1
19	C6280-02797	Pin Axle		1
20	C6280-02143	Rocker		1
21	C6280-02798	Pin Axle		2
22	GB894.1	Circlip For Shaft	20	1
23	C6280-02792	Cam		1
24	C6280-02815	Pin Axle		1
25	C6280-02137	Rocker		1
26	C6280-02800	Pin Axle		1
27	CW6163A02108	Left Fork		1
28	C6280-02144	Rocker		1
29	C6280-02804	Pin Axle		3
30	C6280-02803	Pin Axle		1
31	GB119	Pin	8n6×20	1
32	C6280-02814	Fork		1
33	C6280-02802	Eccentric Bolt		1
34	C6280-02141	Rocker		1
35	C6280-02801	Shaft		1
36	GB70	Hex Socket Cap Screw	M8×40	2
37	C6280-02133	Rocker Support		1
38	C6280-02140	Rocker		1
39	C6280-02151	Fork		1
40	C6280-02805	Eccentric Bolt		1
41	C6280-02142	Rocker		1
42	C6280-02806	Pin Axle		1
43	C6280-02793	Connecting Rod		1
44	C6280-02794	Connecting Rod		1
45	C6280-02157	Fork		1
46	GB894.1	Circlip For Shaft	16	1
47	C6280-02156	Rocker		2
48	C6280-02152	Rocker		1
49	GB3452.1	O Ring	34.5×2.65	1
50	C6280-02155	Sleeve		1
51	GB73	Slotted Set Screw	M5×8	1
52	C6280-02135	Operation Board		1
53	GB70	Hex Socket Cap Screw	M8×30	10

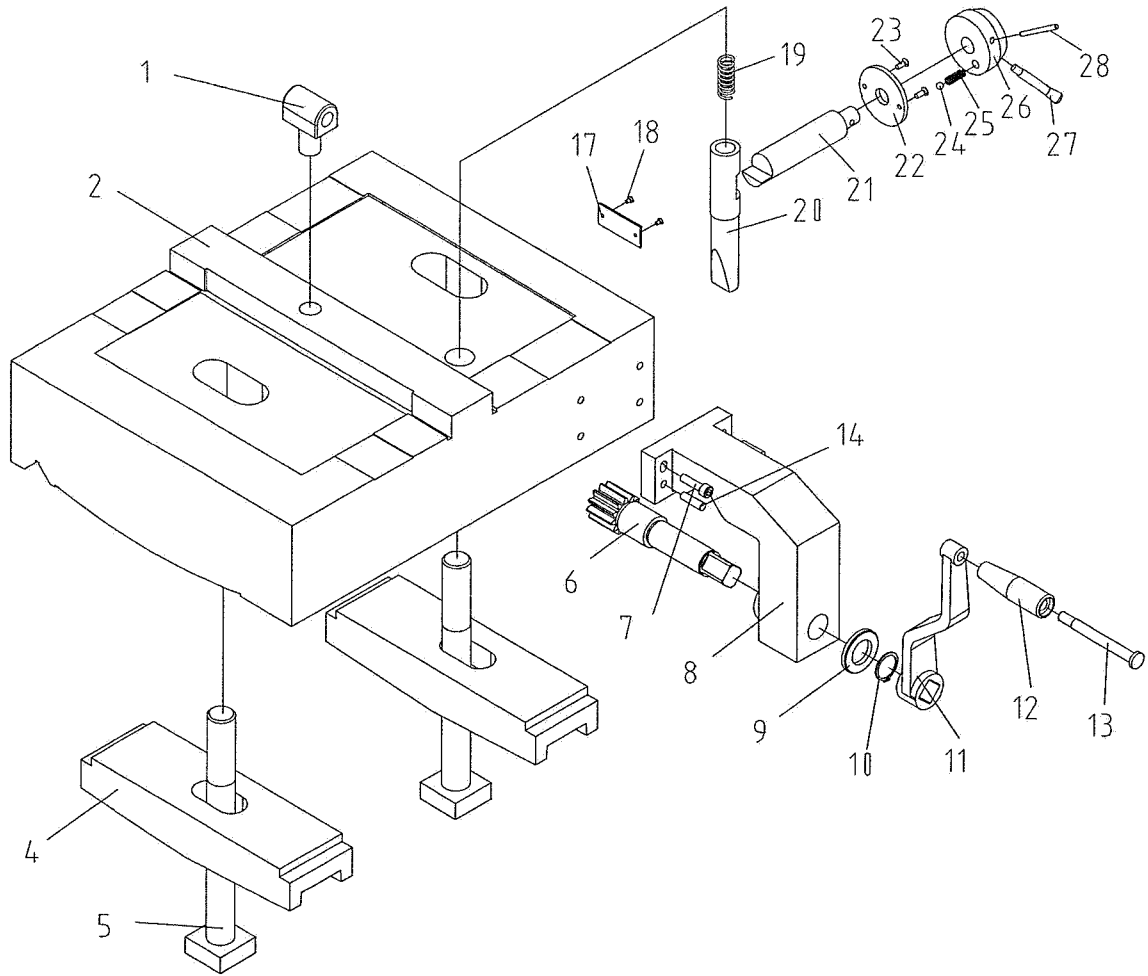
Head Stock Assembly V



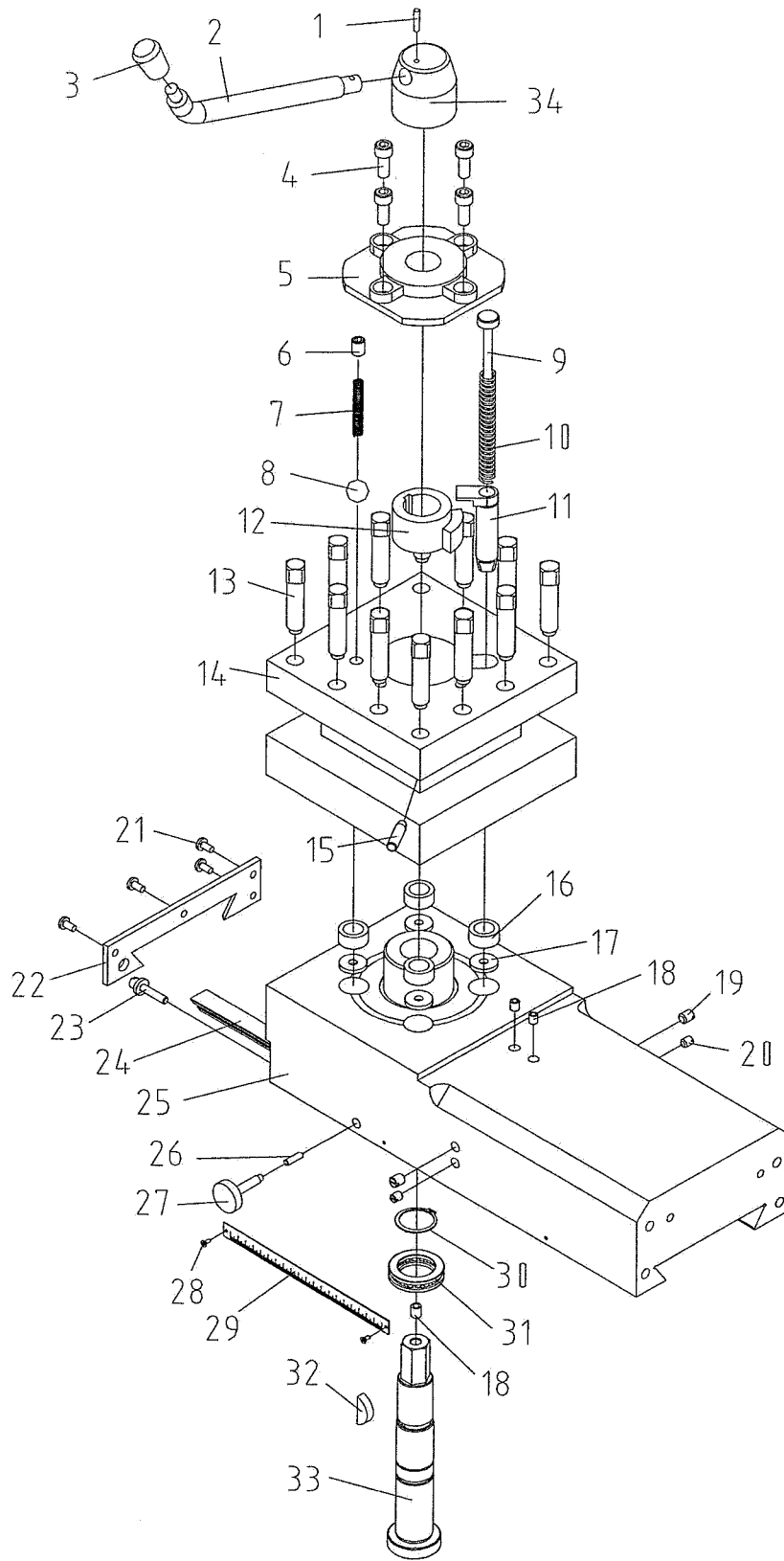
Tailstock Assembly I



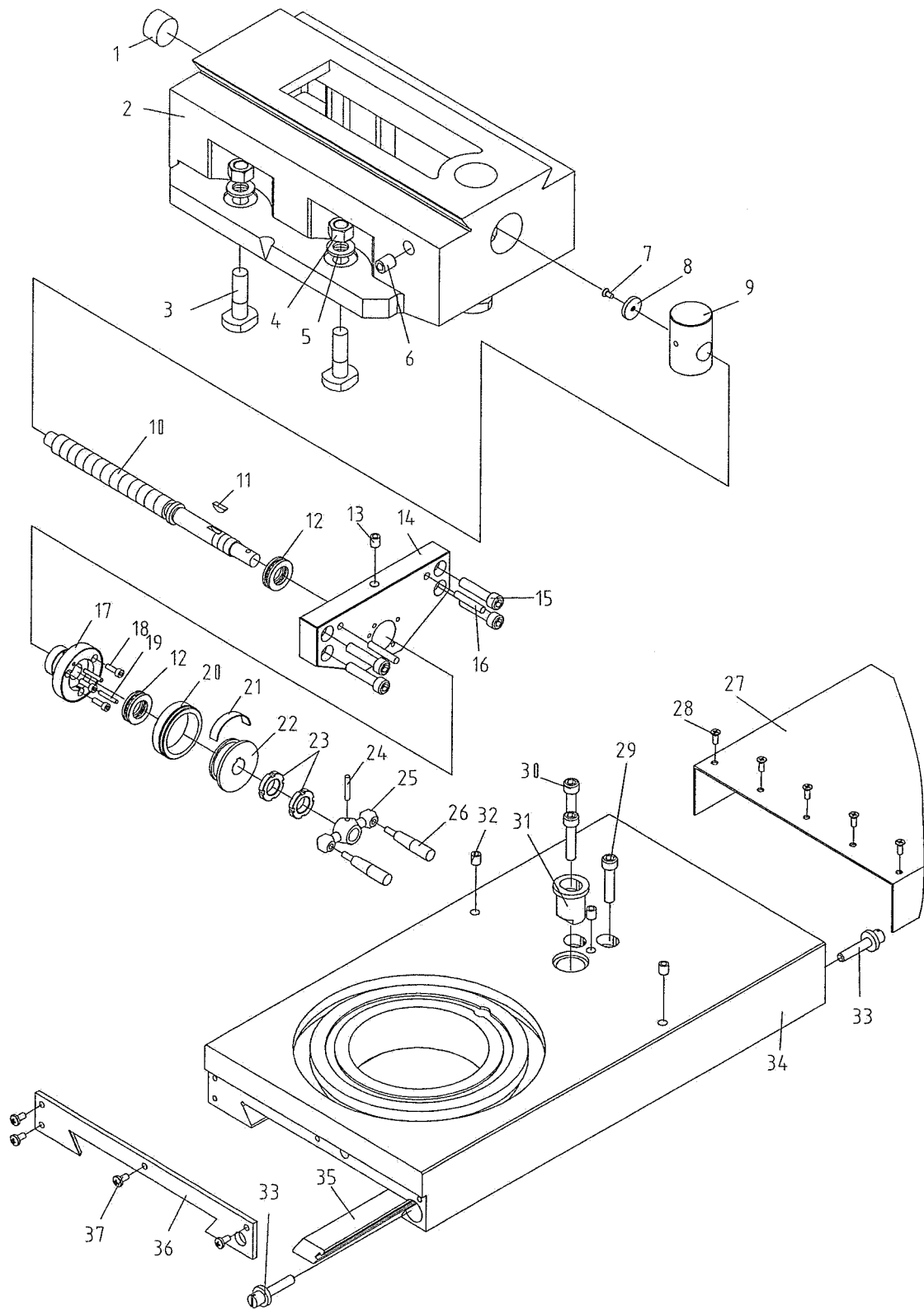
Tailstock Assembly II



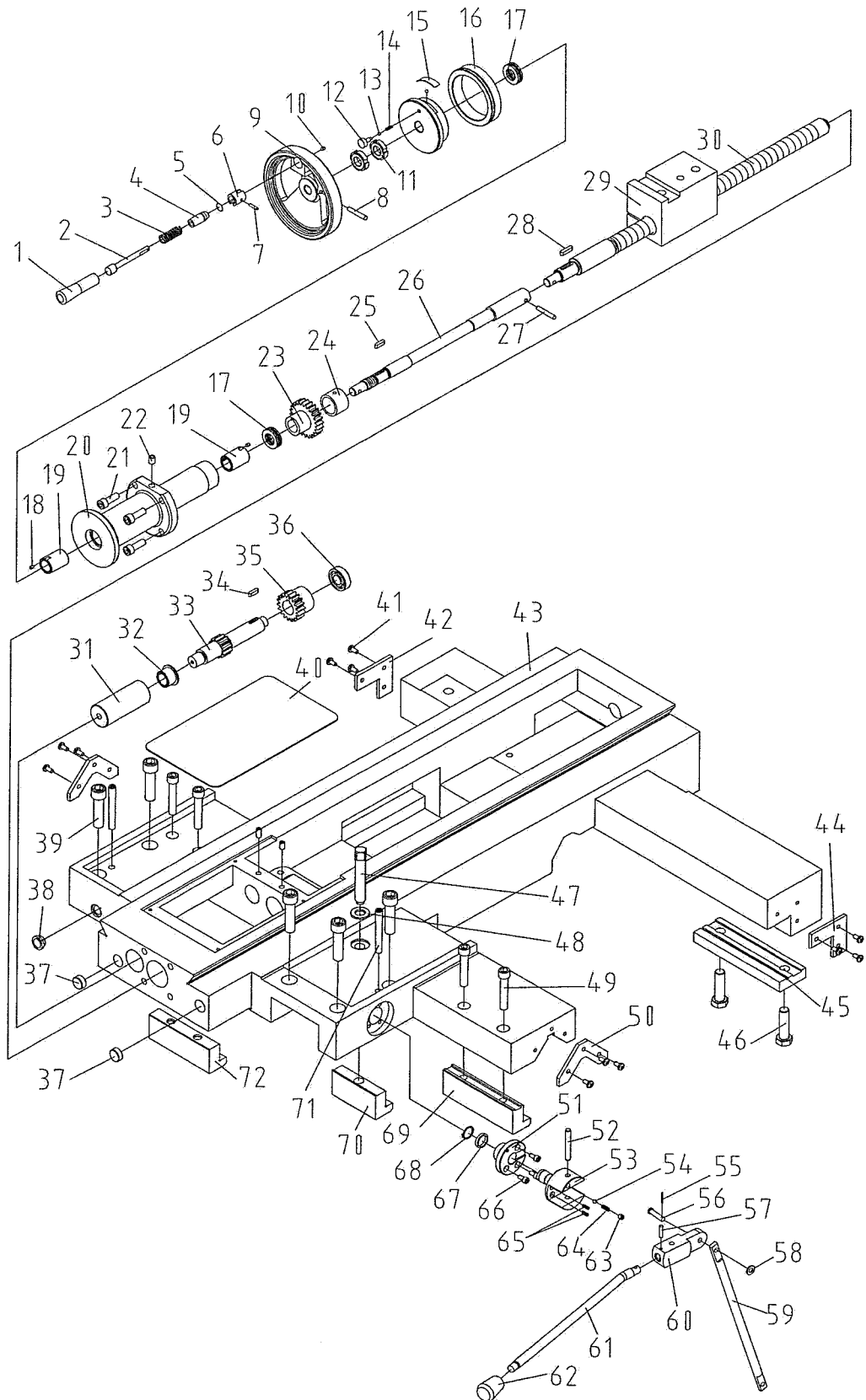
Tool Post Assembly I



Tool Post Assembly II



Tool Post Assembly III

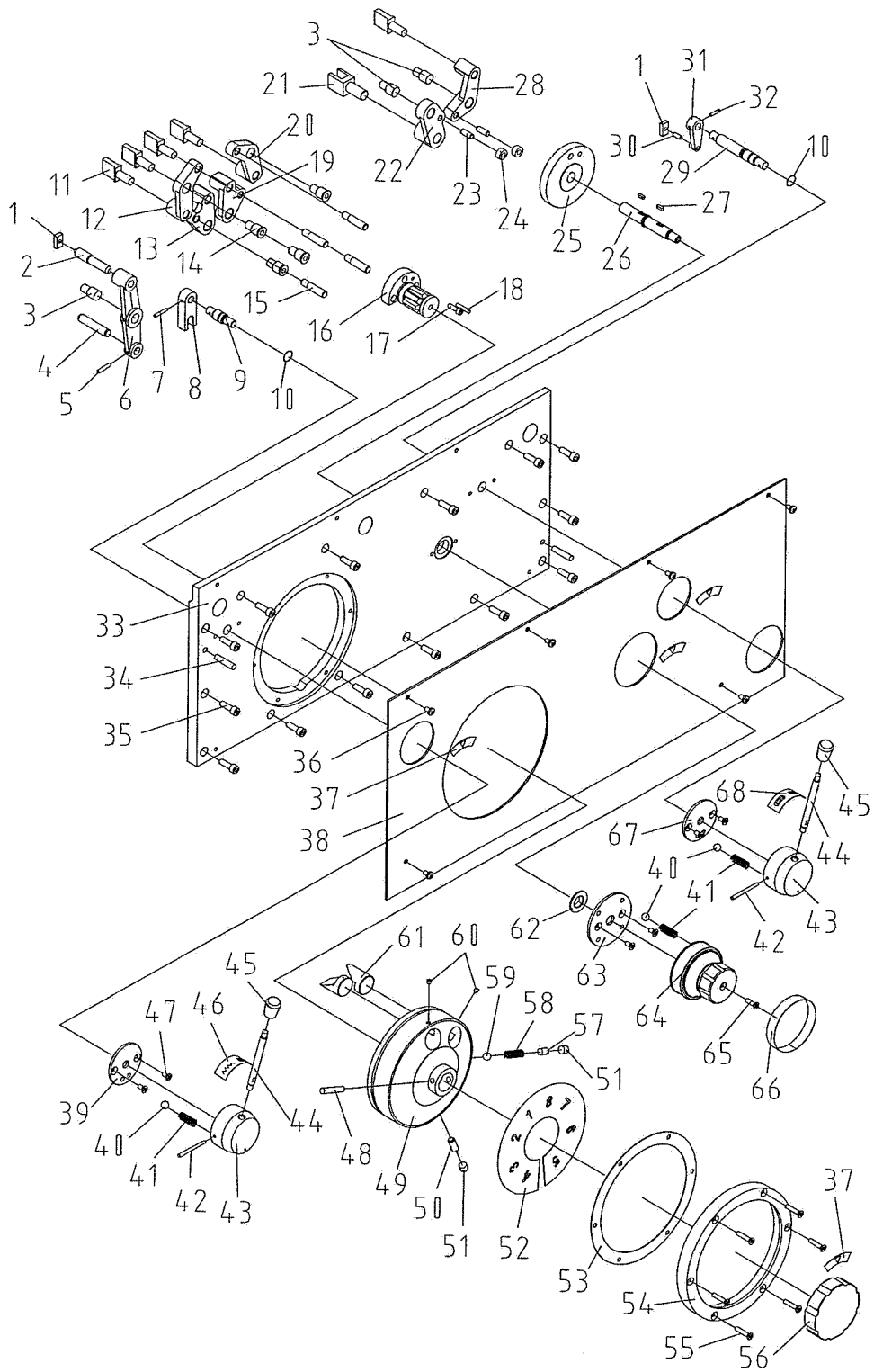


50.....	C6280-04503	Chip Wiper.....	2
51.....	C6280-04757	Lever Sleeve Support.....	1
52.....	GB119.....	Pin.....	8×40
53.....	C6280-04758	Lever Sleeve.....	1
54.....	GB308	Steel Ball.....	6
55.....	GB91	Split Pin	2×15
56.....	C6280-04755	Pin.....	1
57.....	GB117.....	Taper Pin.....	5×25
58.....	GB97.2	Washer	8
59.....	C6280-04756	Connecting Rod	1
60.....	C6280-04760	Lever Support	1
61.....	C6280-04761	Operation Lever.....	1
62.....	GB4141.12.....	Lever Cap.....	M12×40.....
63.....	GB73	Slotted Set Screw.....	M8×10.....
64.....	Q81-1.....	Cylindrical Compressed Spring	1×6×20
65.....	Q81-1.....	Cylindrical Compressed Spring	1×9×20
66.....	GB70	Hex Socket Cap Screw	M6×20.....
67.....	C6280-04759	Liner.....	1
68.....	GB894.1.....	Circlip For Shaft	20
69.....	C6280-04111	Right Front Clamping Plate.....	1
70.....	C6280-04727	Lock Piece.....	1
71.....	GB118.....	Inner Thread Taper Pin	10×85
72.....	C6280-04118	Left Front Clamping Plate	1

Quick Change Gear Box Assembly I

Index No.	Part No.	Description	Size	Qty.
1	GB70	Hex Socket Cap Screw	M10×25	12
2	C6280-05109	Bearing Support		1
3	GB71	Taper End Set Screw	M6×10	1
4	GB819	Slotted Countersunk Screw	M6×14	1
5	C6280-05702	Adjusting Ring		1
6	G51-4	Rotating Seal Ring	35×55×12	2
7	6207	Deep Groove Ball Bearing	35×72×17	1
8	C6280-05701	IShaft		1
9	C6280-05703	Gear		1
10	6205	Deep Groove Ball Bearing	25×52×15	2
11	C6280-05704	Gear		1
12	6208	Deep Groove Ball Bearing	40×80×18	1
13	C6280-05106	Spacer		1
14	C6280-05706	Gear		1
15	C6280-05707	Gear		1
16	C6280-05708	Gear		1
17	C6280-05709	Gear		1
18	C6280-05710	Gear		1
19	C6280-05711	Gear		1
20	C6280-05712	Gear		1
21	C6280-05713	Gear		1
22	GB1096	Key	8×25	4
23	C6280-05705	IIIShaft		1
24	6009	Deep Groove Ball Bearing	45×75×16	2
25	C6280-05714	Gear		1
26	30205	Bearing	25×52×16.25	4
27	GB894.1	Circlip For Shaft	30	2
28	C6280-05734	Rotating Stopping Ring		4
29	C6280-05716	Gear		1
30	C6280-05717	Gear		1
31	C6280-05719	Gear		1
32	GB1096	Key	8×50	1
33	943	Bearing	30×38×32	2
34	C6280-05718	Spacer		1
35	C6280-05720	Gear		1
36	GB894.1	Circlip For Shaft	35	3
37	C6280-05715	IVShaft		1
38	GB119	Pin	4×8	4
39	C6280-05721	Gear		1
40	C6280-05722	VIShaft		1
41	51108	Bearing	40×60×13	2
42	C6280-05102	Bearing Support		1
43	GB71	Taper End Set Screw	M6×8	1
44	6008	Deep Groove Ball Bearing	40×68×15	2
45	C6280-05723	C-clip		1
46	C6280-05103	Spacer		1
47	G51-4	Rotating Seal Ring	45×62×12	1
48	C6280-05724	C-clip		1
49	C6280-05725	Spacer		1

Quick Change Gear Box Assembly II



48.....	GB117.....	Taper Pin.....	8×50.....	1
49.....	C6280-05113.....	Lever Support.....		1
50.....	C6280-05748.....	Positioning Screw.....		1
51.....	GB71.....	Taper End Set Screw.....	M12×16.....	2
52.....	C6280-05301.....	Lever Label.....	8×55.....	1
	GB827.....	Aluminium Rivet.....	2×5.....	2
53.....	C6280-05501.....	Liner.....		1
54.....	C6280-05747.....	Liner Ring.....		1
55.....	GB819.....	Slotted Countersunk Screw.....	M6×30.....	6
56.....	C6280-05114.....	Handle.....		1
57.....	GB71.....	Taper End Set Screw.....	M10×20.....	1
58.....	GB2089.....	Spring.....	1×7×20.....	1
59.....	GB308.....	Steel Ball.....	7.....	1
60.....	GB71.....	Taper End Set Screw.....	M6×8.....	2
61.....	C6280-05750.....	Taper Cam.....		2
62.....	G51-5.....	J Type Oil Seal.....	16.....	1
63.....	C6280-05762.....	Positioning Disc.....		1
64.....	C6280-05125.....	Lever Support.....		1
65.....	GB819.....	Slotted Countersunk Screw.....	M6×20.....	1
66.....	C6280-05303.....	Label.....		1
	GB827.....	Aluminium Rivet.....	2×5.....	2
67.....	C6280-05763.....	Positioning Disc.....		1
68.....	C6280-05305.....	Label.....		1
	GB827.....	Aluminium Rivet.....	2×5.....	2

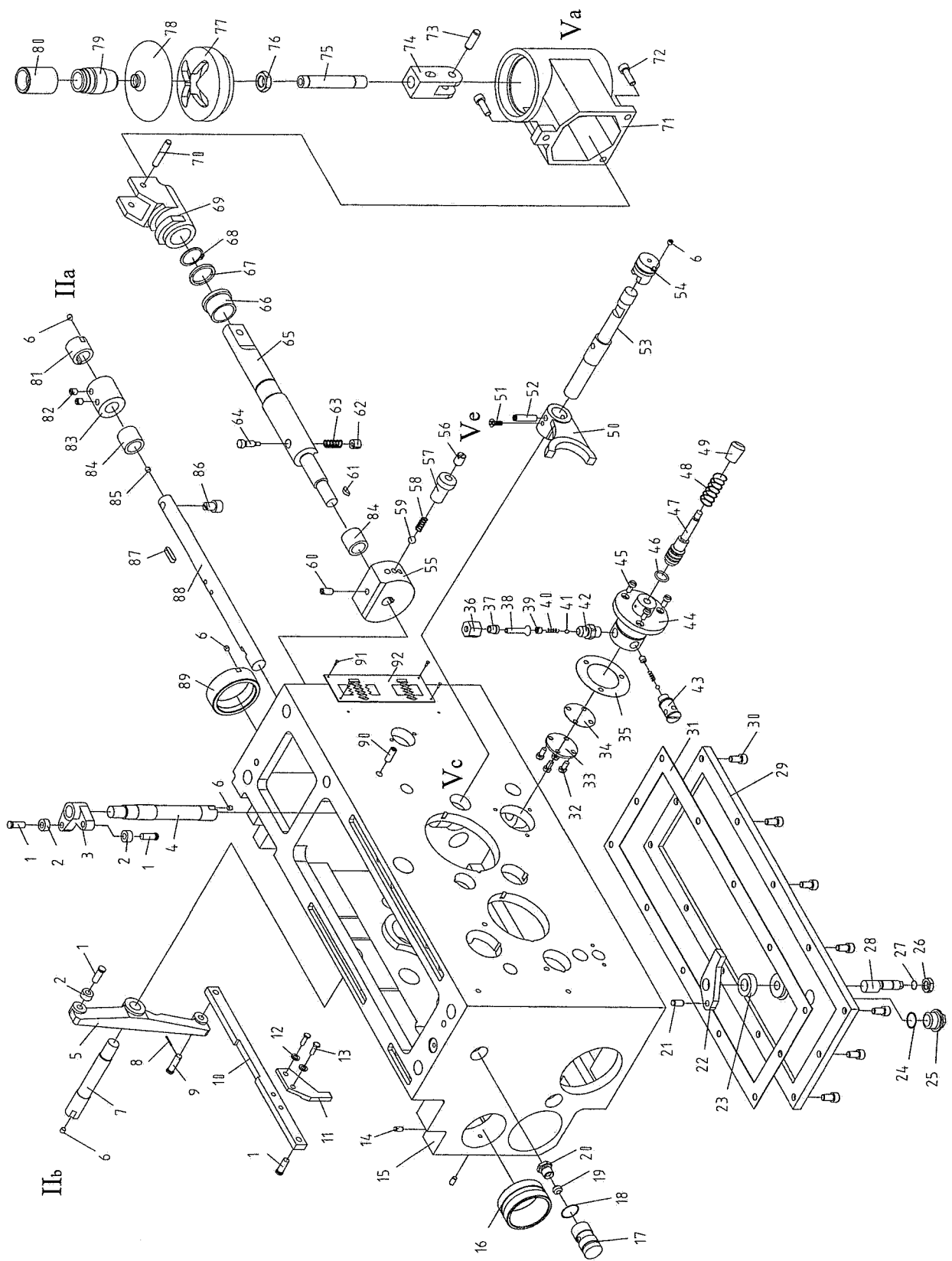
Quick Change Gear Box Assembly III

Index	Part			
No.	No.	Description	Size	Qty.
1.....	GB819	Slotted Countersunk Screw.....	M5 × 10.....	16
2.....	C6280-05759	Back Cover		1
3.....	C6280-05502	Liner.....		1
4.....	C6280-05101	Feed Box Casting		1
5.....	GB70	Hex Socket Cap Screw	M16 × 45.....	5
6.....	GB117.....	Taper Pin.....	5 × 30	1
7.....	C6280-05751	Sliding Shaft		1
8.....	C6280-05116	Fork.....		1
9.....	GB118.....	Inner Thread Taper Pin	8 × 35	2
10.....	GB70	Hex Socket Cap Screw	M8 × 20.....	5
11.....	C6280-05112	Supporting Plate		1
12.....	C6280-05110	Positioning Pin.....		1

Apron Assembly I

Index No.	Part No.	Description	Size	Qty.
1	GB71	Taper End Set Screw	M6×8	5
2	C6280-06775	Shaft XIII		1
3	C6280-06769	Gear		1
4	C6280-06125	Sleeve		1
5	C6280-06768	Lining Ring		1
6	GB894.1	Circlip For Shaft	20	1
7	C6280-06774	End Cover		1
8	G51-2A	O RING	85×3.1	2
9	GB894.1	Circlip For Shaft	50	1
10	C6280-06772	Spacer		1
11	GB71	Taper End Set Screw	M8×10	2
12	C6280-06127	Left Positioning Sleeve		1
13	C6280-06771	Lining Ring		1
14	C6280-06770	Geared Shaft		1
15	C6280-06773	Sliding Key		1
16	C6280-06126	Right Positioning Sleeve		1
17	C6280-06778	End Cover for Shaft IX		1
18	G51-2A	O RING	65×3.1	1
19	GB819	Slotted Countersunk Screw	M5×10	1
20	C6280-06776	Bearing Adjusting Ring		1
21	GB70	Hex Socket Cap Screw	M8×20	4
22	C6280-06129	Flange		1
23	G51-2A	O RING	90×3.1	1
24	C6280-06779	Nut		1
25	C6280-06777	Draw Bar		1
26	30205	Taper Roller Bearing	25×52×15	2
27	C6280-06780	Liner		1
28	C6280-06781	Liner		1
29	C6280-06758	Roller		3
30	C6280-06759	Pressing Pin		3
31	Q81-1	Cylindrical Compressed Spring	0.5×4×18	3
32	C6280-06782	Asterisk Wheel		1
33	C6280-06783	Gear		1
34	C6280-06306	Sleeve		1
35	C6280-06767	Left Clutch		1
36	GB1096	Key	8×20	1
37	C6280-06128	Lining		1
38	C6280-06784	Liner		1
39	C6280-06766	Left Clutch		1
40	C6280-06765	Sleeve		1
41	Q81-1	Cylindrical Compressed Spring	10×60×132	1
42	C6280-06764	Fending Sleeve		1
43	GB119	Pin	8n6×35	1
44	C6280-06761	Shaft IX		1
45	GB1096	Key	6×20	1
46	C6280-06763	Washer		1
47	C6280-06762	Worm		1
48	C6280-06760	Gear		1
49	C6280-06304	Shaft Sleeve		1

Apron Assembly II

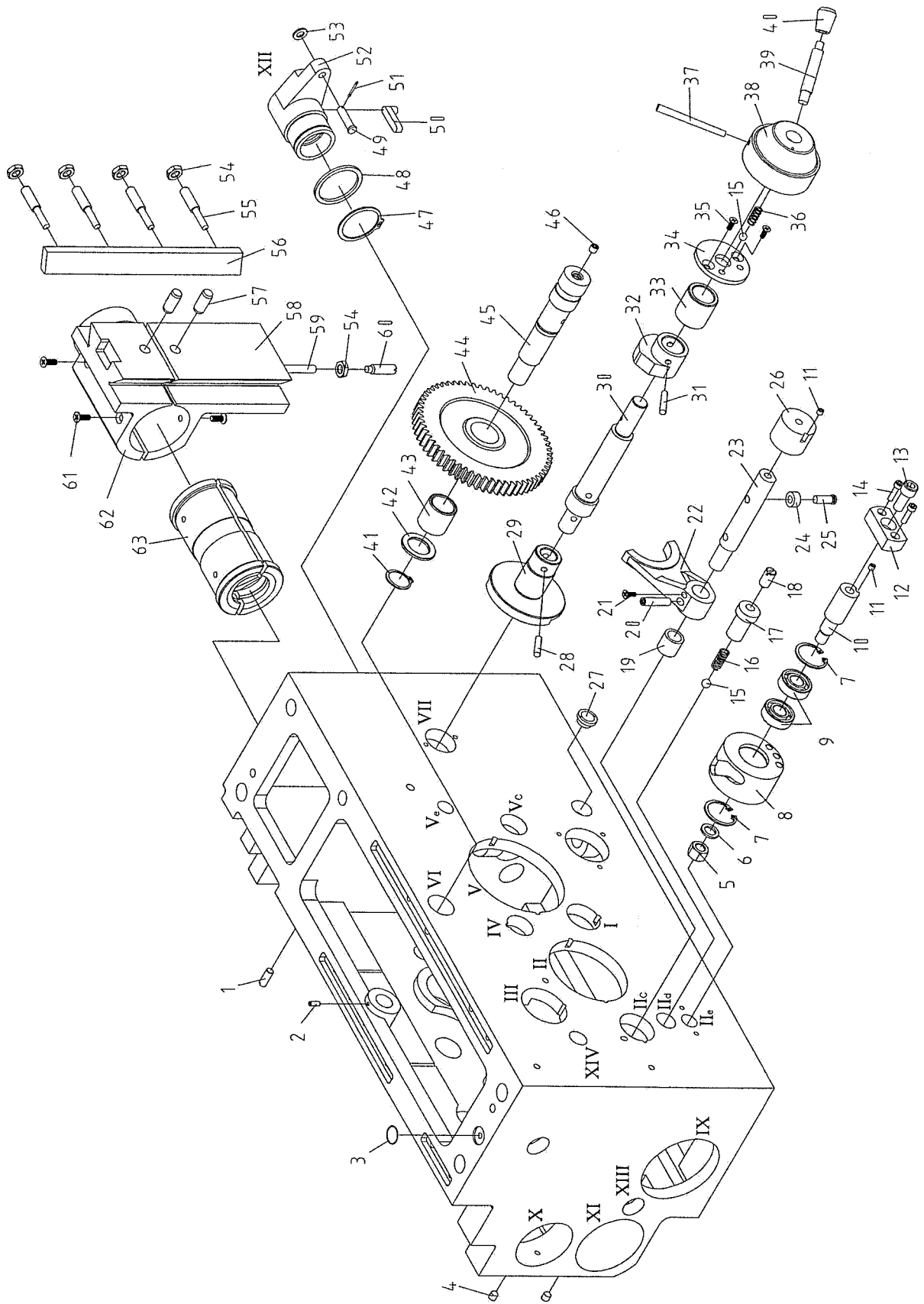


50.....	GB819	Slotted Countersunk Screw.....	M5 × 14.....	1
51.....	C6280-06748	Gear Half Clutch		2
52.....	C6280-06750	Shaft V.....		1
53.....	C6280-06742	Gear		1
54.....	C6280-06741	Liner.....		1
55.....	C6280-06121	V Shaft Bearing Support.....		1
56.....	GB1096	Key	5 × 12	1
57.....	C6280-06116	Supporting Disc		1
58.....	GB70	Hex Socket Cap Screw	M8 × 20.....	3
59.....	GB119.....	Pin.....	6n6 × 8	1
60.....	C6280-06727	Gear		1
61.....	C6280-06726	Shaft XIV.....		1
62.....	C6280-06728	Dial.....		1
63.....	C6280-06729	Leaf Spring		1
64.....	C6280-06117	Dial Support		1
65.....	GB71	Taper End Set Screw.....	M5 × 8.....	1
66.....	C6280-06731	C-clip		1
67.....	GB819	Slotted Countersunk Screw.....	M6 × 12.....	1
68.....	GB308	Steel Ball.....	5	2
69.....	Q81-1.....	Cylindrical Compressed Spring	0.4 × 3 × 10	1
70.....	C6280-06730	Adjusting Screw.....	M5 × 14.....	1

Apron Assembly III

Index No.	Part No.	Description	Size	Qty.
1.....	C6280-06718.....	Pin.....		4
2.....	C6280-06719.....	Roller.....		3
3.....	C6280-06109.....	Rocker.....		1
4.....	C6280-06723.....	Shaft Vb.....		1
5.....	C6280-06111.....	Rocker.....		1
6.....	GB71.....	Taper End Set Screw.....	M6×8.....	5
7.....	C6280-06721.....	Shaft IIb.....		1
8.....	GB91.....	Split Pin.....	1.5×12.....	1
9.....	C6280-06724.....	Pin.....		1
10.....	C6280-06717.....	Connecting Rod.....		1
11.....	C6280-06716.....	Fending Plate.....		1
12.....	GB93.....	Spring Washer.....	6.....	2
13.....	GB5781.....	Hex Bolt.....	M6×16.....	2
14.....	GB119.....	Pin.....	6n6×8.....	2
15.....	C6280-06101.....	Apron Casting.....		1
16.....	C6280-06136.....	Lining.....		1
17.....	C6280-06785.....	Tap with Hole.....		1
18.....	G51-2A.....	O RING.....	25×2.4.....	1
19.....	G91-2.....	Fitting Liner.....	8.....	1
20.....	G91-1.....	Fitting Hollow Bolt.....	8.....	1
21.....	GB119.....	Pin.....	8n6×16.....	1
22.....	C6280-06715.....	Moving Block.....		1
23.....	C6280-06714.....	Liner.....		1
24.....	G51-2A.....	O RING.....	22×2.4.....	1
25.....	G38-2A.....	Bolt.....	M22×1.5.....	1
26.....	GB6172.....	Hex Thin Nut.....	M12.....	1
27.....	G51-2A.....	O RING.....	12×1.9.....	1
28.....	C6280-06713.....	Eccentric Axle.....		1
29.....	C6280-06110.....	Bottom Cover.....		1
30.....	GB70.....	Hex Socket Cap Screw.....	M8×16.....	12
31.....	C6280-06501.....	Liner.....		1
32.....	GB65.....	Slotted Cap Screw.....	M6×10.....	4
33.....	C6266C-06713.....	Oil Pump Cover.....		1
34.....	C6266C-06505.....	Liner.....		1
35.....	C6280-06503.....	Liner.....		1
36.....	Y91-1A.....	Fitting Nut.....	8.....	1
37.....	G91-3.....	Fitting Sleeve.....	8.....	1
38.....		Copper Pipe.....	8.....	1
39.....	C6266C-06714.....	Adjusting Screw.....		2
40.....	Q81-1.....	Cylindrical Compressed Spring.....	0.3×4×12.....	2
41.....	GB308.....	Steel Ball.....	5.....	2
42.....	C6266C-06726.....	Valve Body.....		1
43.....	C6266C-06715.....	Oil Fitter.....		1
44.....	C6280-06141.....	Oil Pump Base.....		1
45.....	GB65.....	Slotted Cap Screw.....	M6×12.....	3
46.....	G51-2A.....	O RING.....	20×2.4.....	1
47.....	C628006799.....	Piston Rod.....	35.....	1
48.....	Q81-1.....	Cylindrical Compressed Spring.....	1.6×8×78.....	1
49.....	GB4141.12.....	Lever Cap.....	M8×25.....	1

Apron Assembly IV



50.....	C6280-06787	Sliding Key	1
51.....	GB91	Split Pin	2×16
52.....	C6280-06131	Positioning Base.....	1
53.....	GB97.1	Washer	8
54.....	GB6172	Hex Thin Nut.....	M10.....
55.....	C6280-06746	Set Screw.....	4
56.....	C6280-06745	Flat Gib.....	1
57.....	GB119.....	Pin.....	12n6×25
58.....	C6280-06132	Bottom Of Half Nut	1
59.....	C6280-06789	Pushing Pin.....	1
60.....	GB75	Slotted Long Set Screw	M10×35.....
61.....	GB819	Slotted Countersunk Screw.....	M6×16.....
62.....	C6280-06133	Top Of Half Nut	1
63.....	C6280-06307	Half Nut	1

Change Gear Assembly (Metric)

Index No.	Part No.	Description	Size	Qty.
1	GB818	Cross Pan Head Screw	M6×10	4
2	C628008702	Housing of Spindle		1
3	CW6163A08702	Cover Board		1
4	C628008501	Warning Plate		1
5	C628008502	Label		1
6	C628008708	Positioning Axle		1
7	C628008105	Lock Piece		1
8	GB71	Taper End Set Screw	M4×8	1
9	CW6163A08501	Sealing Strip		1
10	CW6163A08701	Back Cover		1
11	GB818	Cross Pan Head Screw	M3×6	12
12	C628008503	Label		1
13	C628008303	Feed Label		1
14	GB5781	Hex Bolt	M12×20	2
15	C628008706	Lock Washer		2
16	GB97.2	Washer	36	2
17	C628008704	Change Gear	T=42,M=2.25	2
18	C628008715	Change Gear	T=33,M=2.25	1
19	C628008705	Spline Sleeve		2
20	C628005701	IShaft		1
21	GB6170	Hex Nut	M24	2
22	C628008711	Washer		2
23	C628008101	Change Gear		1
24	C628008710	Spline Sleeve		1
25	61805	Bearing	25×37×7	4
26	C628008712	Spacer		1
27	C628008709	Spacer		1
29	C628008102	Change Gear	T=57,M=2.25	1
30	GB894.1	Circlip For Shaft	35	2
31	C628002769	VIII Shaft		1
32	GB97.2	Washer	24	1
33	GB899	Stud	M24×75	1
34	C628008703	Spacer		1
35	GB818	Cross Pan Head Screw	M6×10	2
36	C628008701	Fence Plate		1
37	C628008101	Change Gear Plate		1
38	C628008707	Shaft		1
39	C628008301	Lubrication Label		1
40	CW6163A08301	Change Gear Label		1

Steady Rest Assembly (Large)

Index	Part			
No.	No.	Description	Size	Qty.
1	GB4141.29	A Type Asterisk Handle	Ø16	3
2	GB117	Taper Pin	A4×30	3
3	C628010701	Sleeve		3
4	CW6163A10702A	Screw		3
5	CW6163A10701A	Sliding Sleeve		3
6	C628010301	Block		3
7	GB75	Slotted Long Set Screw	M10×16	3
8	C628010707	Guiding Pin		3
9	C628010708	Lock Screw		3
10	GB119	Pin	A10×70	3
11	CW6163A10102A	Upper Body of Steady Rest		1
12	GB56	Hex Nut	M24	1
13	GB97.2	Washer	24	1
16	C628010705	Screw		1
17	GB119	Pin	A20×90	1
18	CW6163A10101A	Lower Body of Steady Rest		1
19	CW6163A10103	Clamping Plate		1
20	CW6163A10703A	T Type Screw		1
21	GB97.2	Washer	30	1
22	GB56	Hex Nut	M30	1
23	GB119	Pin	A30×90	1

Steady Rest Assembly (Small)

Index No.	Part No.	Description	Size	Qty.
1	GB4141.29	A Type Asterisk Handle	Ø12	3
2	GB117	Taper Pin	A3×25	3
3	CW6163A10701	Sleeve		3
4	CW6163A10702	Screw		3
5	CW6163A10701	Sliding Sleeve		3
6	CW6163A10301	Block		3
7	GB75	Slotted Long Set Screw	M10×12	3
9	CW6163A10705	Lock Screw		3
10	GB119	Pin	A6×50	3
11	CW6163A10102	Upper Body of Steady Rest		1
12	GB56	Hex Nut	M16	1
13	GB97.2	Washer	16	1
16	CW6163A10705	Screw		1
17	GB119	Pin	A12×65	1
18	CW6163A10101	Lower Body of Steady Rest		1
19	CW6163A10103	Clamping Plate		1
20	CW6163A10704	T Type Screw		1
21	GB97.2	Washer	30	1
22	GB56	Hex Nut	M30	1
23	GB119	Pin	A25×55	1

Follow Rest Assembly

Index	Part			
No.	No.	Description	Size	Qty.
1	GB4141.29	A Type Asterisk Handle	Ø12	3
2	GB117	Taper Pin	A3×25	3
3	CW6163A10701	Sleeve		3
4	CW6163A10707	Screw		2
5	CW6163A10708	Sliding Sleeve		3
6	CW6163A10302	Block		3
7	CW6163A10104	Follow Rest Casting		1
8	GB75	Slotted Long Set Screw	M10×12	3
9	CW6163A10706	Lock Screw		3
10	GB119	Pin	A6×50	3
11	CW6163A10709	Screw		1
12	GB70	Hex Socket Cap Screw	M16×65	2