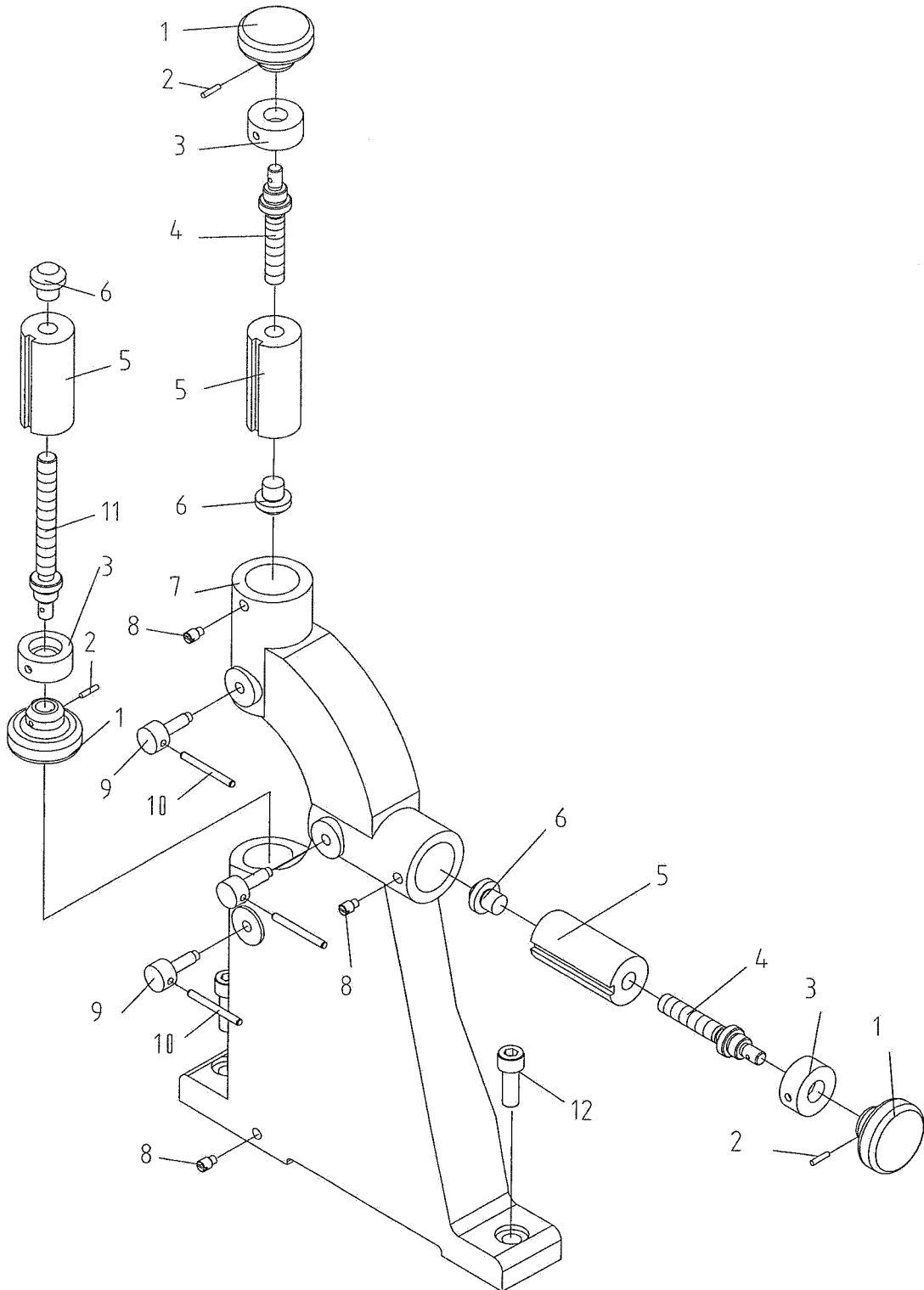
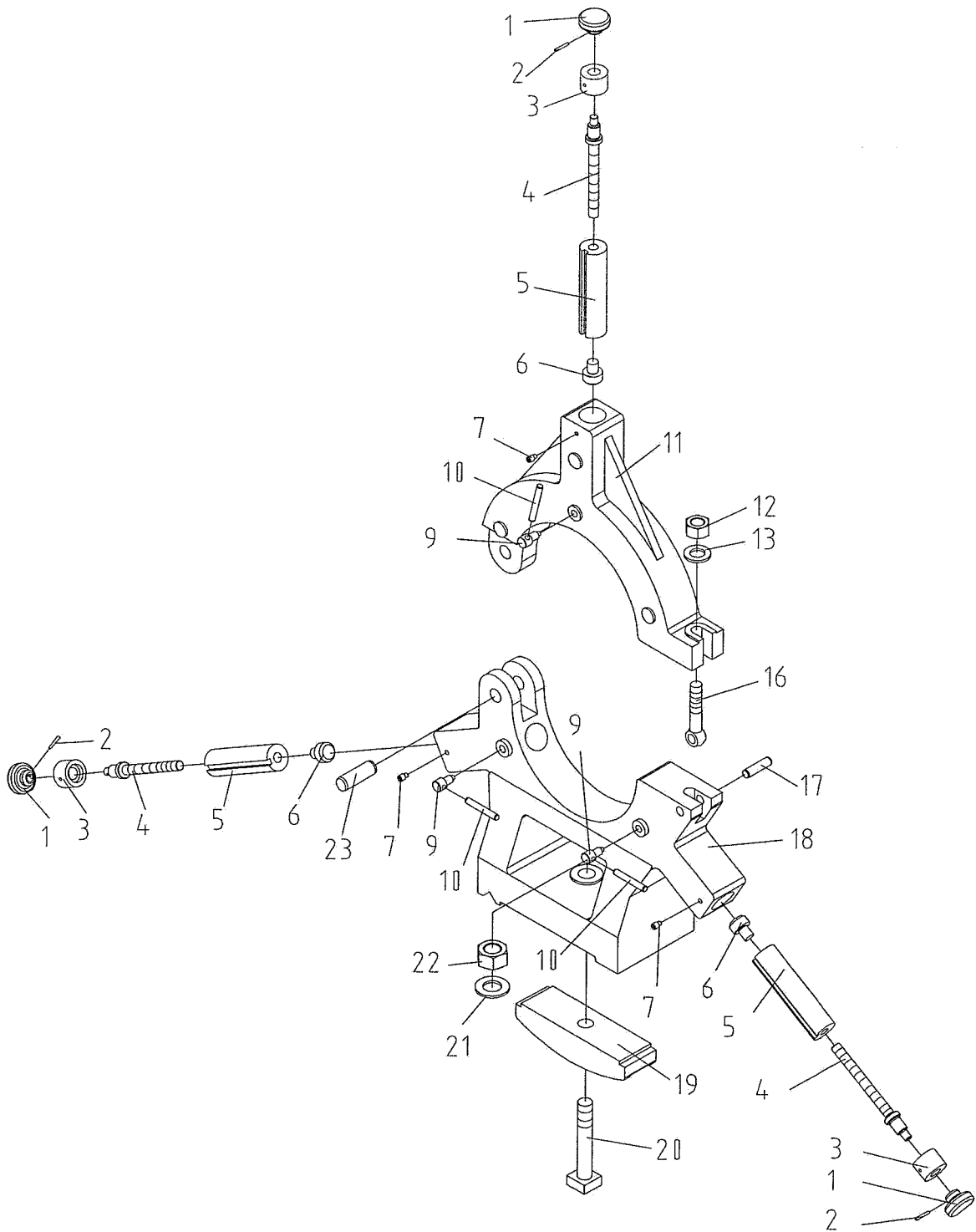




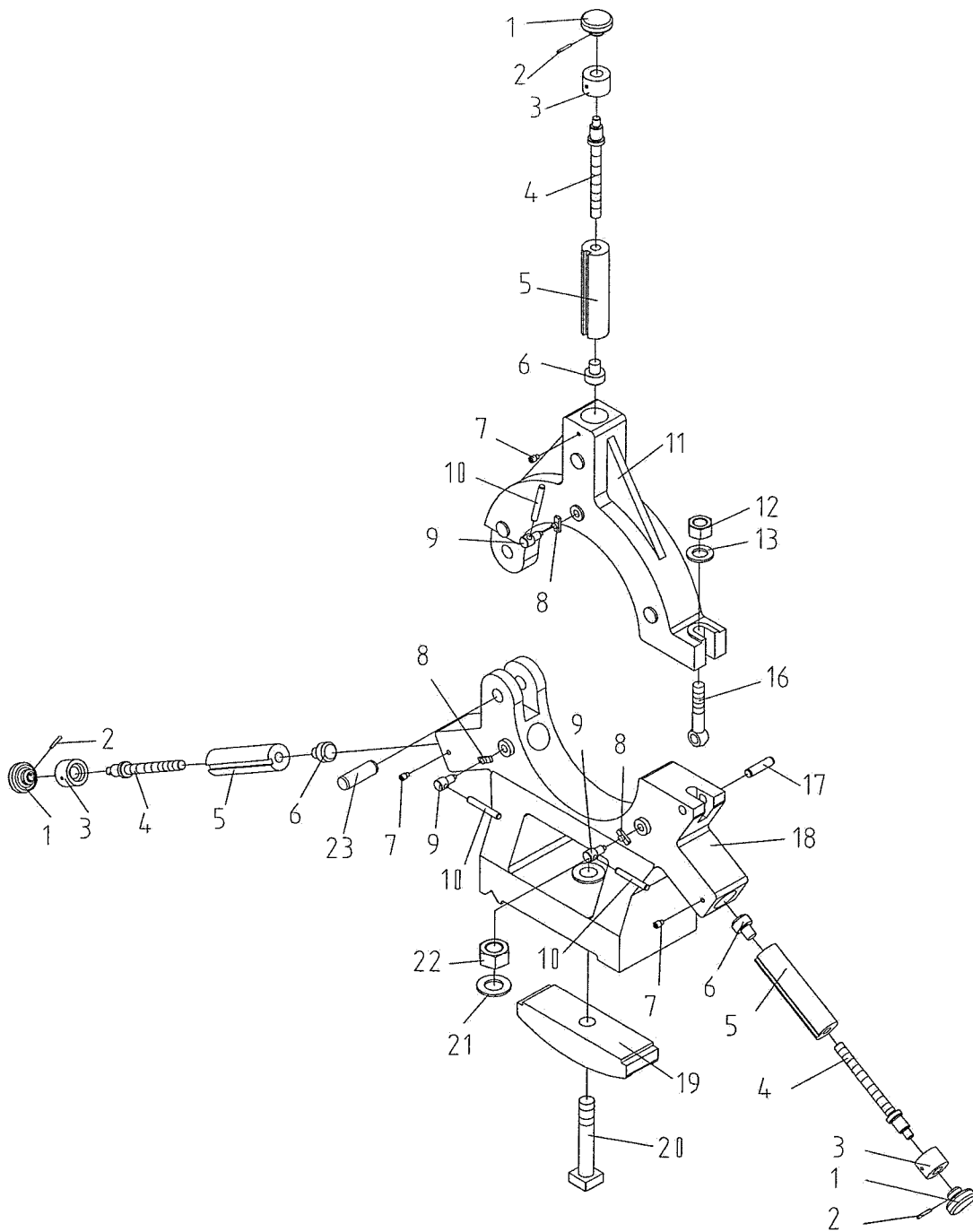
# Follow Rest Assembly



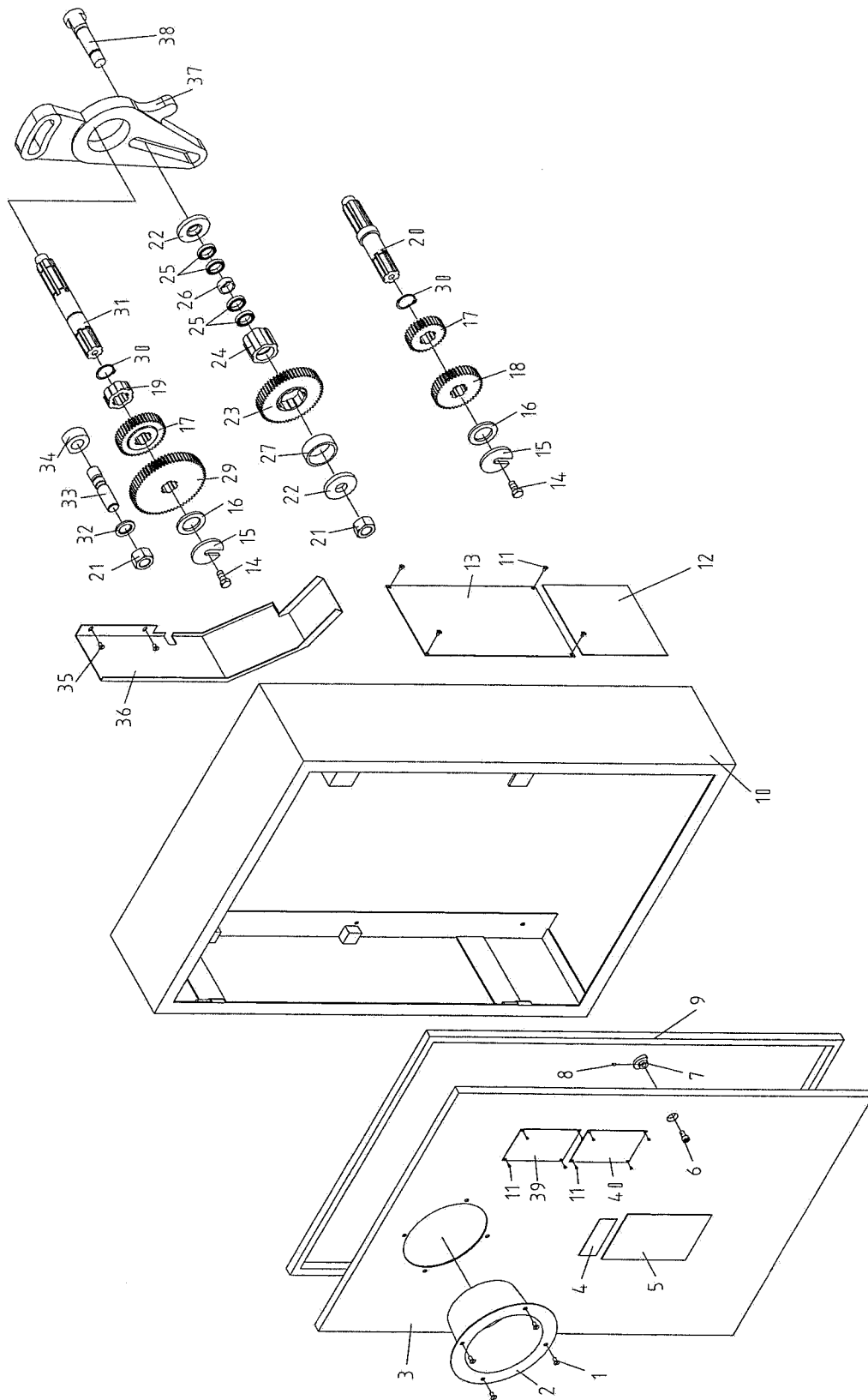
# Steady Rest Assembly (Small)



# Steady Rest Assembly (Large)



# Change Gear Assembly (Metric)

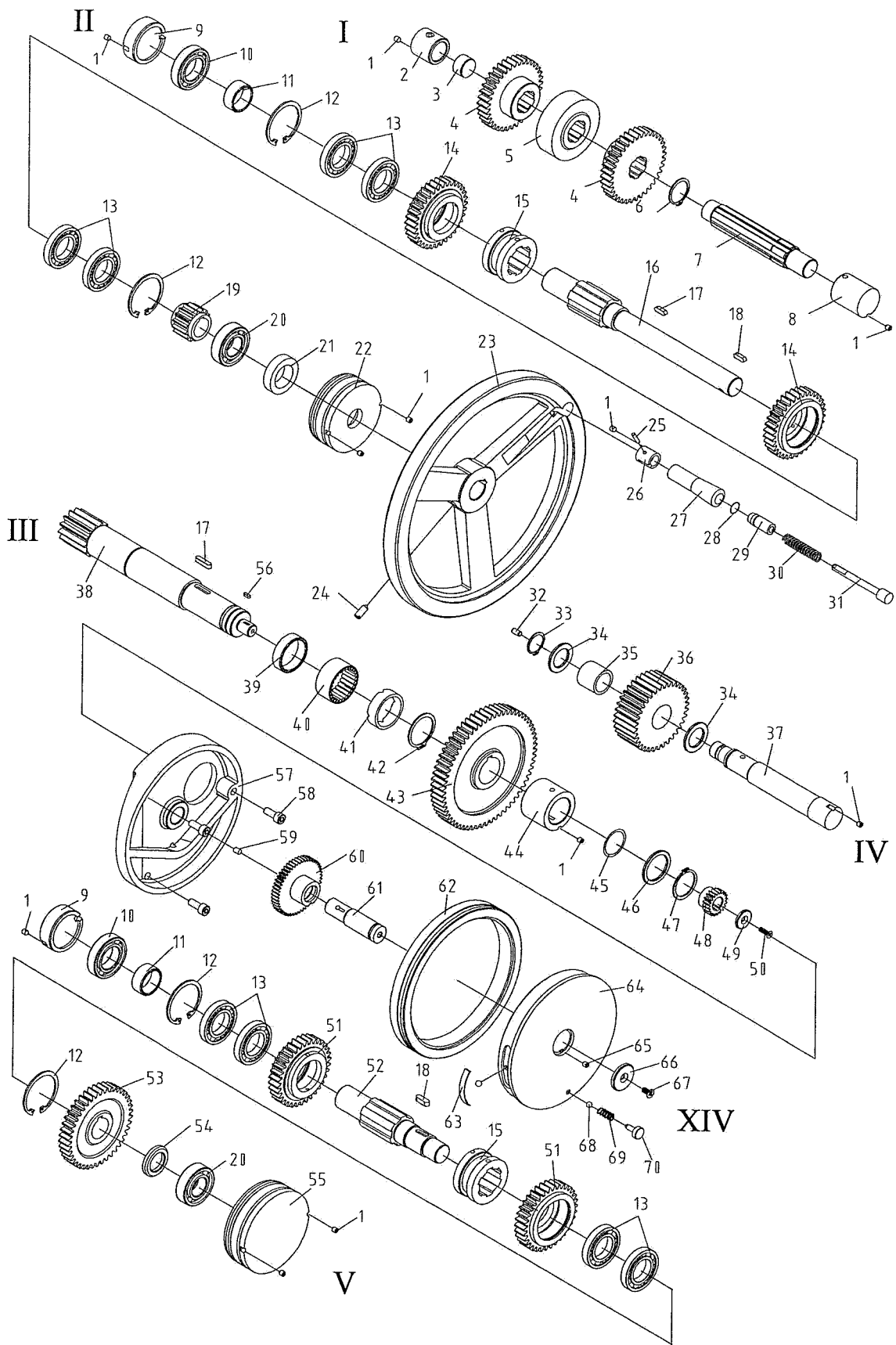


## Apron Assembly IV

Index No.	Part No.	Description	Size	Qty.
1.....	C6280-06786.....	Fending Pin.....		1
2.....	GB71.....	Taper End Set Screw.....	M6×16.....	1
3.....	GB3452.1.....	O RING.....	18×1.8.....	1
4.....	GB71.....	Taper End Set Screw.....	M8×10.....	2
5.....	GB6170.....	Hex Nut.....	M12.....	1
6.....	GB93.....	Spring Washer.....	12.....	1
7.....	GB893.1.....	Circlip for Hole.....	35.....	2
8.....	C6280-06796.....	Cylindrical Cam.....		1
9.....	6202.....	Deep Groove Ball Bearing.....	15×35×11.....	2
10.....	C6280-06797.....	Shaft IId.....		1
11.....	GB71.....	Taper End Set Screw.....	M6×8.....	1
12.....	C6280-06104.....	Bracket.....		1
13.....	GB70.....	Hex Socket Cap Screw.....	M10×25.....	1
14.....	GB70.....	Hex Socket Cap Screw.....	M5×20.....	2
15.....	GB308.....	Steel Ball.....	10.....	2
16.....	Q81-1.....	Cylindrical Compressed Spring.....	1.5×10×24.....	1
17.....	C6280-06798.....	Positioning Sleeve.....		1
18.....	GB71.....	Taper End Set Screw.....	M12×25.....	1
19.....	C6280-06137.....	Lining.....		1
20.....	GB118.....	Inner Thread Taper Pin.....	8×35.....	1
21.....	GB819.....	Slotted Countersunk Screw.....	M6×14.....	1
22.....	C6280-06138.....	Left Fork.....		1
23.....	C6280-06795.....	Shaft IIc.....		1
24.....	C6280-06719.....	Roller.....		1
25.....	C6280-06718.....	Pin.....		1
26.....	C6280-06139.....	Sleeve.....		1
27.....	R51-5A.....	Round Oil Indicator.....	16.....	1
28.....	GB117.....	Taper Pin.....	6×30.....	1
29.....	C6280-06790.....	Cam.....		1
30.....	C6280-06791.....	Shaft VII.....		1
31.....	GB117.....	Taper Pin.....	6×35.....	1
32.....	C6280-06794.....	Stopping Plate.....		1
33.....	C6280-06134.....	Lining.....		1
34.....	C6280-06793.....	Positioning Disc.....		1
35.....	GB819.....	Slotted Countersunk Screw.....	M6×12.....	2
36.....	Q81-1.....	Cylindrical Compressed Spring.....	1×9×32.....	1
37.....	GB117.....	Taper Pin.....	6×80.....	1
38.....	C6280-06135.....	Lever Support.....		1
39.....	C628006792.....	Lever.....		1
40.....	GB4141.12.....	Lever Cap.....	M8×25.....	1
41.....	GB894.1.....	Circlip For Shaft.....	25.....	1
42.....	C6280-06752.....	Liner.....		1
43.....	C6280-06122.....	ShaftSleeve.....		1
44.....	C6280-06744.....	Gear.....		1
45.....	C6280-06747.....	Shaft VI.....		1
46.....	GB77.....	Hex Socket Set Screw.....	M8×8.....	1
47.....	GB894.1.....	Circlip For Shaft.....	45.....	1
48.....	C6280-06130.....	Liner.....		1
49.....	C6280-06788.....	Pin.....		1

50.....	C6280-06113	Right Fork.....	1
51.....	GB819	Slotted Countersunk Screw..... M6×14.....	1
52.....	GB118.....	Inner Thread Taper Pin ..... 8×35.....	1
53.....	C6280-06722	Shaft Vc.....	1
54.....	C6280-06112	Sleeve.....	1
55.....	C6280-06712	Cylindrical Cam.....	1
56.....	GB71	Taper End Set Screw..... M12×20.....	1
57.....	C6280-06720	Positioning Sleeve.....	1
58.....	Q81-1.....	Cylindrical Compressed Spring ..... 1.5×10×24.....	1
59.....	GB308	Steel Ball..... 10.....	1
60.....	GB71	Taper End Set Screw..... M8×20.....	1
61.....	GB1099	Half Round Key..... 5×19.....	1
62.....	C6280-06711	Pin.....	1
63.....	Q81-1.....	Cylindrical Compressed Spring ..... 0.8×11×25.....	1
64.....	C6280-06710	Spring Supporting Pin.....	1
65.....	C6280-06707	Shaft Va.....	1
66.....	C6280-06102	Sleeve.....	1
67.....	C6280-06103	Liner.....	1
68.....	GB894.1.....	Circlip For Shaft..... 30.....	1
69.....	C6280-06105	Sliding Bracket.....	1
70.....	GB119.....	Pin..... 8n6×45.....	1
71.....	C6280-06104	Bracket.....	1
72.....	GB70	Hex Socket Cap Screw..... M8×25.....	3
73.....	GB119.....	Pin..... 10n6×30.....	1
74.....	C6280-06702	Operating Block.....	1
75.....	CW6163A06701	Lever.....	1
76.....	GB6172	Hex Thin Nut..... M16×1.5.....	1
77.....	G91-3.....	Fitting Sleeve..... 8.....	1
78.....	C6280-06703	Cover.....	1
79.....	C6280-06705	Lever.....	1
80.....	C6280-06706	Lever Cover.....	1
81.....	C6280-06107	Sleeve.....	1
82.....	GB71	Taper End Set Screw..... M8×12.....	2
83.....	C6280-06709	Sleeve for Limiting Position.....	1
84.....	C6280-06108	Lining.....	2
85.....	GB71	Taper End Set Screw..... M5×8.....	1
86.....	C6280-06701	Pin for Limiting Position.....	1
87.....	GB1096	Key..... 6×40.....	1
88.....	C6280-06708	Shaft Ia.....	1
89.....	C6280-06301	Lining.....	1
90.....	GB77	Hex Socket Set Screw..... M8×30.....	1
91.....	GB827	Aluminium Rivet..... 3×8.....	4
92.....	C6280-06308	Label.....	1

# Apron Assembly III



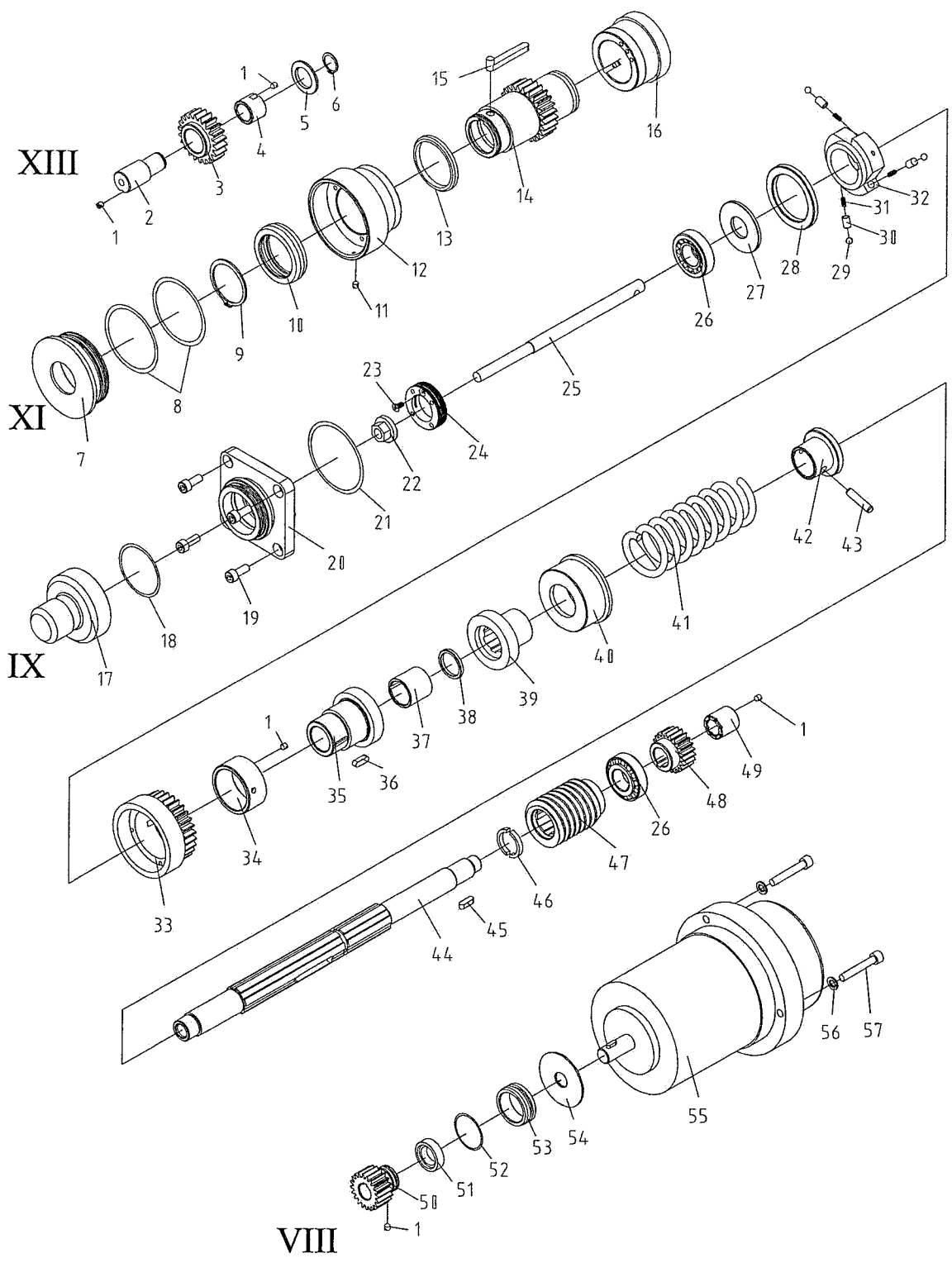


## Apron Assembly II

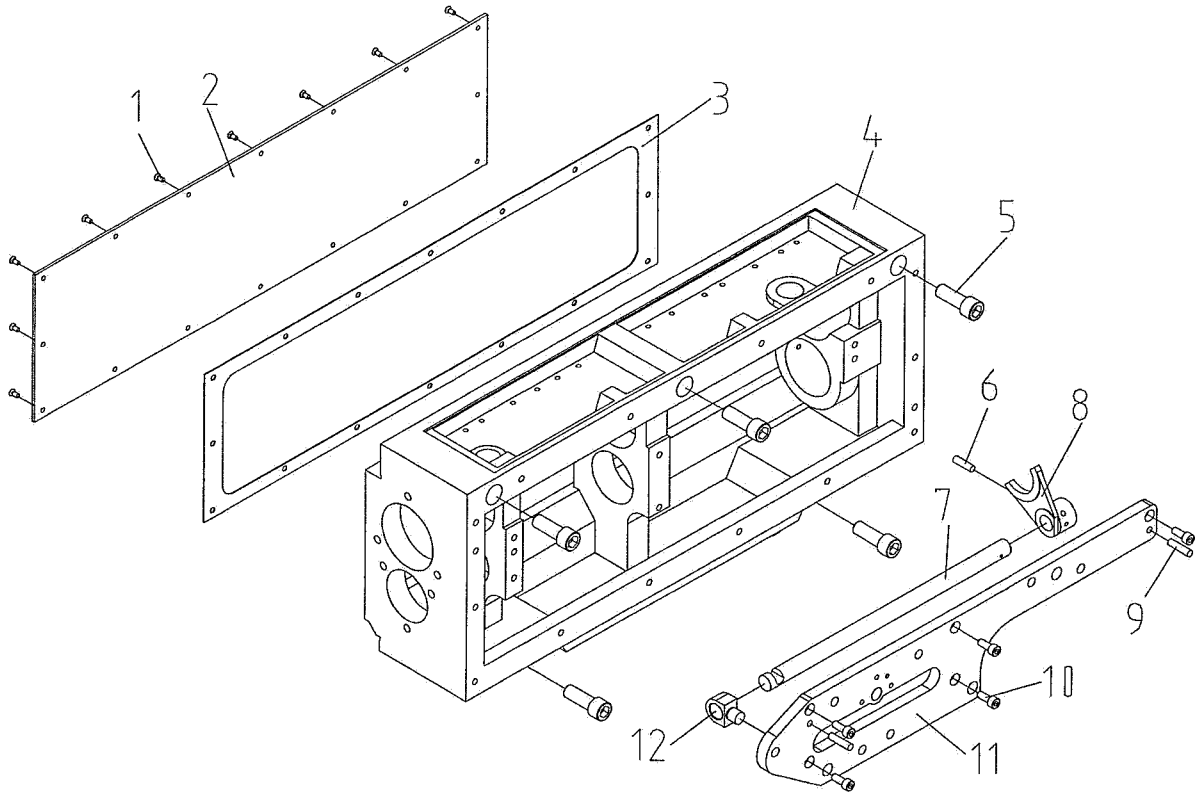
Index No.	Part No.	Description	Size	Qty.
1	GB71	Taper End Set Screw	M6×8	11
2	C6280-06303	Shaft Sleeve		1
3	C6280-06754	Shaft I Plug		1
4	C6280-06753	Gear		2
5	C6280-06302	Worm Gear		1
6	GB894.1	Circlip For Shaft	30	1
7	C6280-06739	I Shaft		1
8	C6280-06120	Shaft Sleeve		1
9	C6280-06123	Shaft II, V Plug		2
10	6106	Deep Groove Ball Bearing	30×55×13	2
11	C6280-06749	Spacer		2
12	GB893.1	Circlip for Hole	55	2
13	16006	Deep Groove Ball Bearing	30×55×9	8
14	C6280-06755	Gear Half Clutch		2
15	C6280-06743	Sliding Half Clutch		2
16	C6280-06750	V Shaft		1
17	GB1096	Key	8×28	2
18	GB1096	Key	8×20	2
19	C6280-06738	Gear	M8×20	1
20	6205	Deep Groove Ball Bearing	25×52×15	2
21	G51-4	Rotating Seal Ring	25×45×10	1
22	C6280-06119	II Shaft Bearing Support		1
23	C628006118	Hand wheel		1
24	GB71	Taper End Set Screw	M8×20	1
25	GB117	Taper Pin	4n6×18	1
26	C6280-06737	Sleeve		1
27	C6280-06736	Lever Sleeve		1
28	GB895	Circlip	14	1
29	C6280-06734	Positioning Axle		1
30	Q81-1	Cylindrical Compressed Spring	1.4×13×48	1
31	C6280-06735	Lever Rod		1
32	GB119	Pin	6n6×18	1
33	GB894.1	Circlip For Shaft	25	1
34	C6280-06752	Gear		2
35	C6280-06122	Lining		1
36	C6280-06751	Gear		1
37	C6280-06740	IV Shaft		1
38	C6280-06757	Gear Shaft		1
39	C6280-06756	Spacer		1
40	943/40	Bearing	40×50×38	1
41	C6280-06124	Sleeve		1
42	GB894.1	Circlip For Shaft	40	1
43	C6280-06725	Gear		1
44	C6280-06114	Sleeve		1
45	G51-2A	O RING	35×3.1	1
46	C6280-06115	Liner		1
47	GB894.1	Circlip For Shaft	35	1
48	C6280-06732	Gear		1
49	GB891	End Stopping Ring	B25	1

50.....	C6280-06305 .....	Gear .....	.....	1
51.....	GB13871.....	Oil Seal .....	18×35×10 .....	1
52.....	G51-2A .....	O RING .....	45×3.1 .....	1
53.....	C6280-06800 .....	Spacer .....	.....	1
54.....	C6280-06502 .....	Liner.....	.....	1
55.....	NJ12-4TH.....	Motor .....	1.1KW.....	1
56.....	GB93 .....	Spring Washer.....	8 .....	3
57.....	GB70 .....	Hex Socket Cap Screw .....	M8×50.....	3

# Apron Assembly I



# Quick Change Gear Box Assembly III

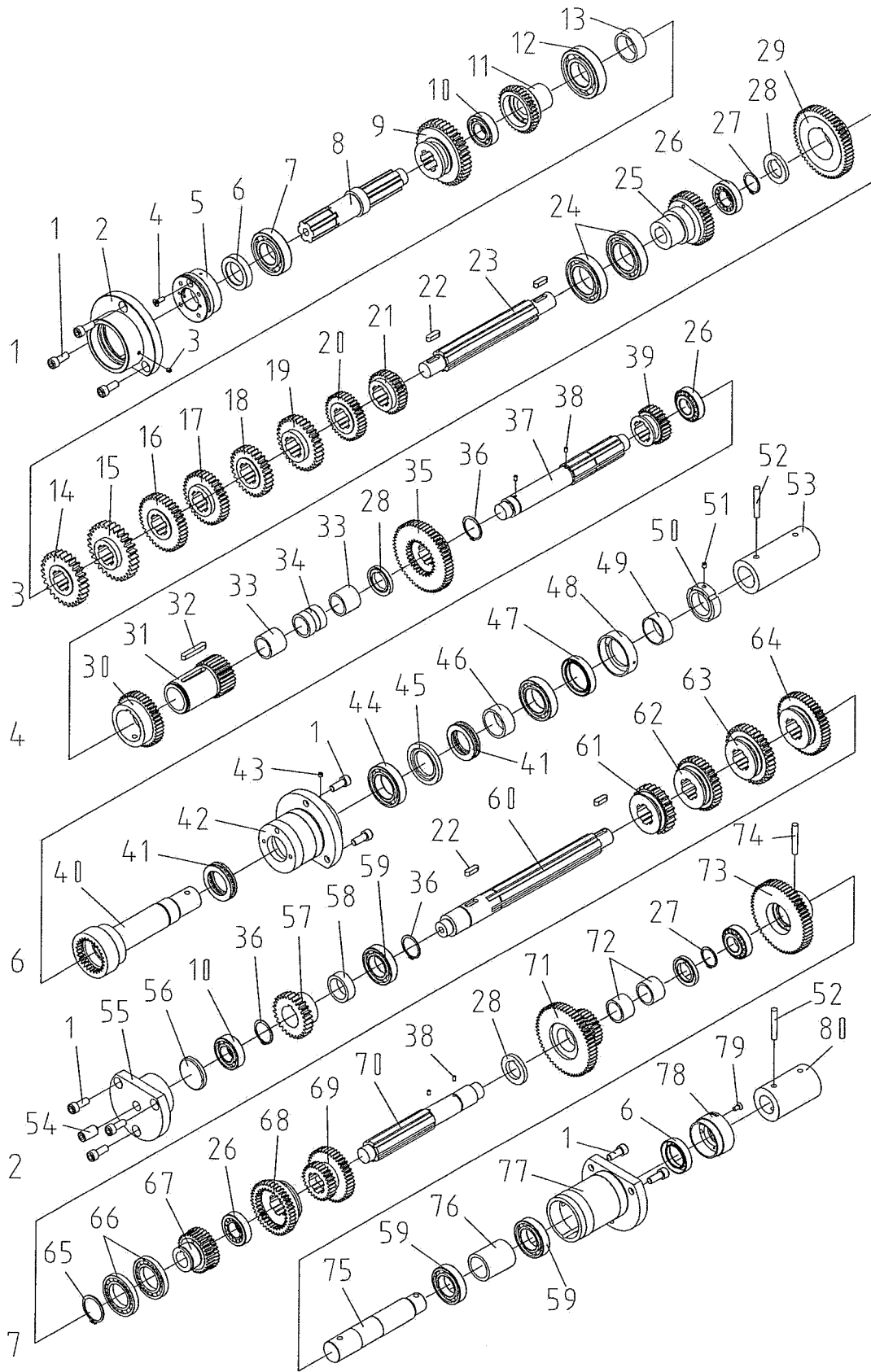


## Quick Change Gear Box Assembly II

Index No.	Part No.	Description	Size	Qty.
1	C6140W-05109	Moving Block		2
2	C6280-05753	Moving Axle		1
3	C6280-05752	Positioning Pin		3
4	GB119	Pin	12n×60	1
5	GB117	Taper Pin	5×25	1
6	C6280-05117	Rocker		1
7	GB117	Taper Pin	4×25	1
8	C6280-05118	Fork		1
9	C6280-05755	Lever Axle		1
10	GB3452.1	O RING	12.5×1.8	2
11	C6280-05111	Moving Block		1
12	C6280-05120	Rocker		1
13	C6280-05121	Rocker		1
14	C6280-05746	Positioning Pin		1
15	C6280-05745	Positioning Pin		1
16	C6280-05749	Positioning Lever Base		1
17	GB70	Hex Socket Cap Screw	M6×20	3
18	GB117	Taper Pin	5×28	1
19	C6280-05122	Rocker		1
20	C6280-05123	Rocker		1
21	C6280-05304	Fork		1
22	C6280-05126	Rocker		1
23	GB119	Pin	8×22	2
24	C6280-02791	Rotating Ring		2
25	C6280-05760	Cam		1
26	C6280-05761	Lever Support		1
27	GB1096	Key	4×12	2
28	C6280-05124	Rocker		1
29	C6280-05764	Lever Support		1
30	GB119	Pin	6×15	1
31	C6280-05127	Rocker		1
32	GB117	Taper Pin	4×20	1
33	C6280-05115	Feed Box Front Cover		1
34	GB117	Taper Pin	8×40	2
35	GB70	Hex Socket Cap Screw	M8×25	14
36	GB819	Slotted Countersunk Screw	M6×10	6
37	C6280-05306	Label		4
	GB827	Aluminium Rivet	2×5	8
38	CW6163A05701	Panel		1
39	C6280-05754	Positioning Disc		1
40	GB308	Steel Ball	10	3
41	GB2089	Spring	1.2×8×12	3
42	GB117	Taper Pin	4×55	2
43	C628005119	Lever Support		2
44	C628005756	Lever		2
45	GB4141.12	Lever Sleeve	M8×25	2
46	C6280-05302	Label		1
	GB827	Aluminium Rivet	2×5	2
47	GB819	Slotted Countersunk Screw	6×12	6

50.....	C6280-05726	Round Nut	.....	1
51.....	GB73	Slotted Set Screw	M6×8	1
52.....	GB117	Taper Pin	8×55	2
53.....	C6280-05727	Lead Screw Connecting Sleeve	.....	1
54.....	GB78	Hex Socket Set Screw	M16×35	1
55.....	C6280-05108	Bearing Support	.....	1
56.....	C6280-05744	Cover	.....	1
57.....	C6280-05743	Gear	.....	1
58.....	C6280-05107	Spacer	.....	1
59.....	6007	Deep Groove Ball Bearing	35×62×14	3
60.....	C6280-05742	II Shaft	.....	1
61.....	C6280-05741	Gear	.....	1
62.....	C6280-05740	Gear	.....	1
63.....	C6280-05739	Gear	.....	1
64.....	C6280-05738	Gear	.....	1
65.....	GB894.1	Circlip For Shaft	40	1
66.....	16008	Deep Groove Ball Bearing	40×68×9	2
67.....	C6280-05737	Gear	.....	1
68.....	C6280-05736	Gear	.....	1
69.....	C6280-05735	Gear	.....	1
70.....	C6280-05732	V Shaft	.....	1
71.....	C6280-05733	Gear	.....	1
72.....	942	Bearing	30×38×24	2
73.....	C6280-05731	Gear	.....	1
74.....	GB117	Taper Pin	8×50	1
75.....	C6280-05729	VII Shaft	.....	1
76.....	C6280-05105	Spacer	.....	1
77.....	C6280-05104	Bearing Support	.....	1
78.....	C6280-05730	Adjusting Ring	.....	1
79.....	GB819	Slotted Countersunk Screw	M6×12	1
80.....	C6280-05728	Feed Rod Connecting Sleeve	.....	1

# Quick Change Gear Box Assembly I



### Tool Post Assembly III

Index No.	Part No.	Description	Size	Qty.
1	C6280-06736	Handle Sleeve		1
2	C6280-06735	Handle Rod		1
3	Q81-1	Cylindrical Compressed Spring	1.4×13×48	1
4	C6280-06734	Positioning Axle		1
5	GB895	Circlip	14	1
6	C6280-06737	Sleeve		1
7	GB119	Pin	4×18	1
8	GB117	Taper Pin	6×40	1
9	C6280-04119	Sleeve		1
10	GB71	Taper End Set Screw	M6×8	1
11	GB812	Round Nut	M18×1.5	2
12	C6280-04709	Lock Screw		1
13	GB308	Steel Ball	5	2
14	Q81-1	Cylindrical Compressed Spring	0.4×4.2×14	1
15	C6140W-04739	Leaf Spring		1
16	CW6140-04750	Adjusting Washer		1
17	51104	Bearing	20×35×10	2
18	GB71	Taper End Set Screw	M5×8	2
19	C6280-04107	Sleeve		2
20	CW6163A04103	Lead Screw Support		1
21	GB70	Hex Socket Cap Screw	M10×30	4
22	GB1155	Oiler	10	1
23	CW6163A04704	Gear		1
24	CCW616304302	Sleeve		1
25	GB1096	Key	5×20	1
26	CW6163A04707	Cross Feed Lead Screw		1
27	GB117	Taper Pin	8×30	1
28	GB1096	Key	8×30	1
29	CW6163A04301	Nut Base		1
30	CW6163A04301	Lead Screw Nut		1
31	C628004726	Support		1
32	C6280-04505	Support Sleeve		1
33	CW6163A04711	Gear Shaft		1
34	GB1096	Key	6×30	1
35	CW6163A04712	Sliding Key		1
36	6203-2RS	Deep Groove Ball Bearing	17×40×12	1
37	C6280-04768	Plug		3
38	R51-2	Oil Sight	27×1.5	1
39	GB70	Hex Socket Cap Screw	M16×60	5
40	CW6163A04705	Cover Board		1
41	GB818	Cross Pan Head Screw	M6×12	12
42	C6280-04501	Chip Wiper		1
43	CW6163A04101	Carriage		1
44	C6280-04502	Chip Wiper		1
45	C6280-04117	Back Clamping Plate		2
46	GB5781	Hex Bolt	M16×55	4
47	GB83	Square Head Set Screw	M16×90	1
48	GB97.2	Washer	16	1
49	GB70	Hex Socket Cap Screw	M12×65	4



## Tool Post Assembly II

Index No.	Part No.	Description	Size	Qty.
1	CK6166G061031-6	Plug		1
2	CW6163A04105	Revolving Plate		1
3	CW6163A04706	Bolt		4
4	GB6170	Hex Nut	M12	4
5	GB97.2	Washer	12	4
6	GB1155	Oiler	16	1
7	GB70.3	Slotted Countersunk Screw	M5 × 12	1
8	C6280-04751	Cover		1
9	CW6163A04106	Nut		1
10	CW6163A04709	Lead Screw		1
11	GB1099	Half Round Key	5 × 19	1
12	51104	Bearing	20 × 35 × 10	2
13	GB1155	Oiler	10	1
14	CW6163A04107	Flange		1
15	GB70	Hex Socket Cap Screw	M10 × 35	4
16	GB118	Inner Thread Taper Pin	8 × 40	2
17	C6140W04111	Bearing		1
18	GB818	Cross Pan Head Screw	M5 × 12	3
19	GB117	Taper Pin	4 × 25	2
20	C6140W04740	Dial		1
21	C6140W-04739	Leaf Spring		1
22	C6280-04110	Dial Body		1
23	GB812	Round Nut	M16 × 1.5	4
24	GB117	Taper Pin	5 × 30	1
25	C6140W04737	Handle		1
26	C6140W04738	Handle		1
27	CW6163A04702	Splash		1
28	GB2672	Hex Socket Asterisk Pan Head Screw	M6 × 10	5
29	GB70	Hex Socket Cap Screw	M12 × 45	2
30	GB70	Hex Socket Cap Screw	M12 × 80	1
31	CW6163A04703	Sleeve		1
32	GB1155	Oiler	10	4
33	C6140W-04716	Bolt		2
34	CW6163A04102	Top Slide		1
35	CW6163A04710	Gib		1
36	CW6163A04501	Chip Wiper		1
37	GB818	Cross Pan Head Screw	M6 × 12	4

## Tool Post Assembly I

Index No.	Part No.	Description	Size	Qty.
1.....	GB117.....	Taper Pin.....	5×25 .....	1
2.....	C6280-04743 .....	Lever.....		1
3.....	GB4141.12.....	Lever Sleeve .....	M12×40.....	1
4.....	GB70 .....	Hex Socket Cap Screw .....	M10×25.....	4
5.....	C6280-04744 .....	Nut.....		1
6.....	GB78 .....	Hex Socket Set Screw.....	M12×16.....	1
7.....	Q81-1 .....	Cylindrical Compressed Spring .....	1.5×10×120 .....	1
8.....	GB308 .....	Steel Ball.....	Φ21 .....	1
9.....	CW6291B-04706.....	Spring Positioning Pin .....		1
10.....	Q81-1 .....	Cylindrical Compressed Spring .....	2×14×120 .....	1
11.....	C6280-04741 .....	Positioning Pin .....		1
12.....	C6280-04745 .....	Base for Pulling Pin .....		1
13.....	GB83 .....	Square Head Set Screw .....	M16×60.....	12
14.....	CW6291B-04705.....	Turret Body .....		1
15.....	C6280-04770 .....	Pin.....		1
16.....	C6280-04747 .....	Positioning Sleeve .....		4
17.....	C6280-04748 .....	Washer .....		4
18.....	GB1155.....	Oiler .....	10 .....	3
19.....	GB73 .....	Slotted Set Screw.....	M10×12.....	2
20.....	GB73 .....	Slotted Set Screw.....	M8×10.....	2
21.....	GB818 .....	Cross Pan Head Screw.....	M6×12.....	4
22.....	C6280-04507 .....	Chip Wiper .....		1
23.....	1440R-04725 .....	Screw with Washer.....		1
24.....	C6280-04105 .....	Gib .....		1
25.....	CW6163A04104.....	Top Slide .....		1
26.....	C6280-04304 .....	Lock Pin.....		1
27.....	C6280-04728 .....	Lock Screw .....		1
28.....	GB827 .....	Aluminium Rivet.....	3×8 .....	2
29.....	C6280-04305 .....	Label.....		1
30.....	GB894.1.....	Circlip For Shaft .....	35 .....	1
31.....	51107 .....	Thrust Ball Bearing .....		1
32.....	GB1099 .....	Half Round Key.....	8×28 .....	1
33.....	CW6163A04708.....	Axle with Thread .....		1
34.....	C6280-04126 .....	Lever Support .....		1

## Tailstock Assembly II

Index No.	Part No.	Description	Size	Qty.
1	CW6163A03107	Nut		1
2	CW6163A03102	Tailstock Bottom Plate		1
4	CW6163A03103	Clamping Plate		1
5	CW6163A03704	Bolt		1
6	CW6163A03709	Shaft		1
7	GB70	Hex Socket Cap Screw	M8×30	2
8	CW6163A106	Bracket		1
9	C628003718	Washer		1
10	GB894.1	Circlip For Shaft	28	1
11	C628003109	Handle		1
12	C628003720	Lever Cover		1
13	C628003719	Handle Rod		1
14	GB117	Taper Pin	8×30	2
17	CW6163A03302	Label		1
18	GB827	Rivet	3×8	2
19	Q81-1	Spring	2×18×70	1
20	CW6163A03713	Locking Shaft		1
21	CW6163A03714	Shaft		1
22	CK61100B03734	Clamping Plate		1
23	GB819	Slotted Countersunk Screw	M5×10	2
24	GB308	Steel Ball	Φ8	1
25	Q81-1	Spring	1×8×25	1
26	CK61100B03107	Sleeve		1
27	CK61100B03735	Handle Rod		1
28	GB118	Inner Thread Taper Pin	6×45	1

## Tailstock Assembly I

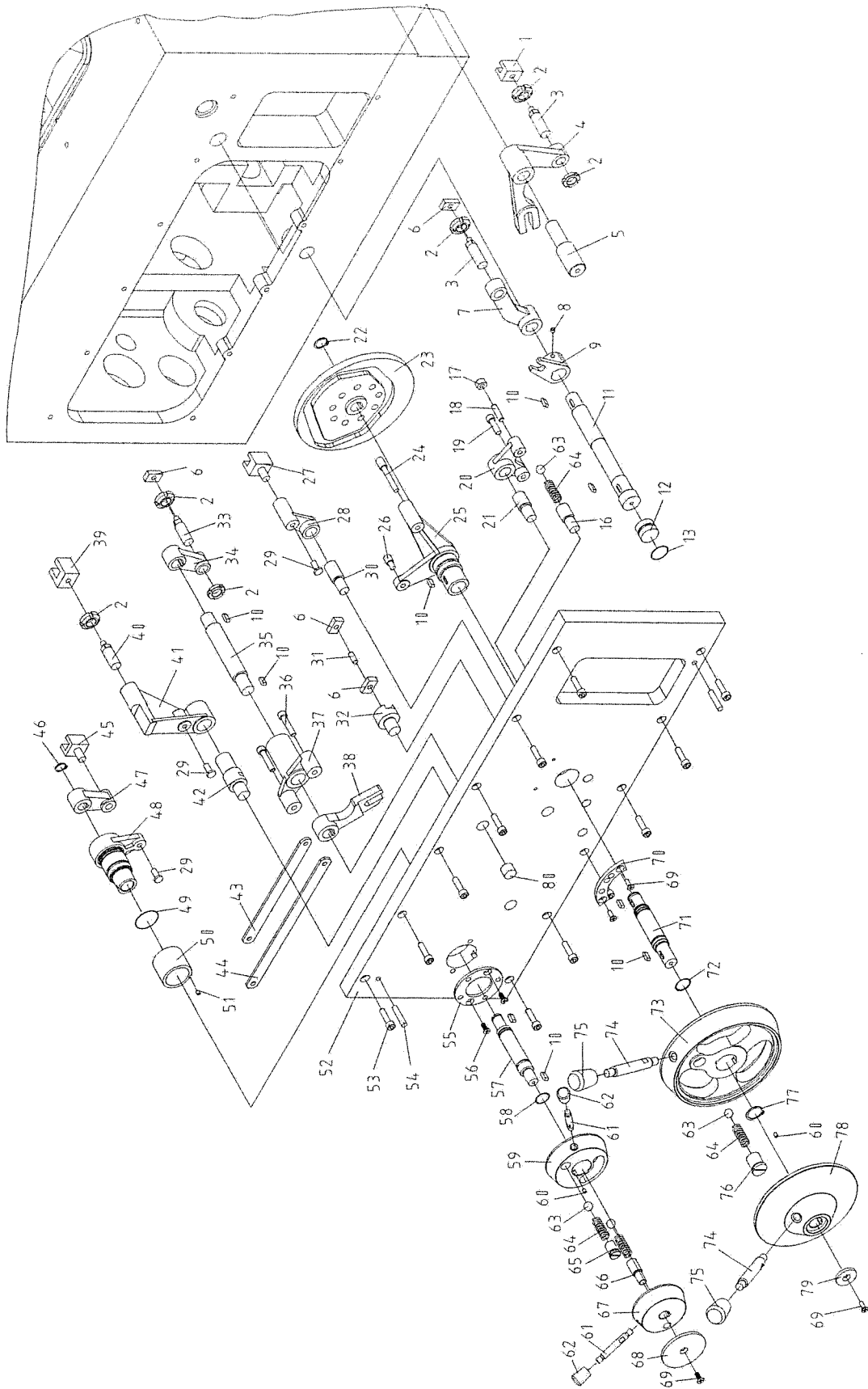
Index No.	Part No.	Description	Size	Qty.
1	GB1155	Oiler	16	2
2	CW6163A03703	Positioning Piece		1
3	GB71	Slotted Set Screw	M8×14	1
4	CW6163A03710	Positioning Piece		1
5	C628003711	Lever Support		1
6	C628003709	Lever		1
7	GB117	Taper Pin	5×12	1
8	C628003713	Blocking Piece		1
9	CW6163A03711	Clamping Block		1
10	CW6163A03712	Cover		1
11	GB70	Hex Socket Cap Screw	M16×155	1
12	GB71	Slotted Set Screw	M8×14	1
13	CW6163A03701	Tailstock Quill		1
14	GB1387	U Type Seal Ring	100×125×12	1
15	CW6163A03703	Clamping Block		1
16	GB70	Hex Socket Cap Screw	M10×20	1
17	CW6163A03101	Tailstock Casting		1
18	GB56	Hex Thick Nut	M30	3
19	GB97.2	Washer	30	3
20	CW6163A03705	Mandril		1
21	CW6163A03702	Lead Screw		1
22	CW6163A03105	Nut		1
23	GB71	Slotted Set Screw	M10×16	3
24	GB1096	Key	8×20	1
25	GB1096	Key	6×16	1
26	51206	Bearing	30×52×16	2
27	CW6163A03104	Back Cover		1
28	GB70	Hex Socket Cap Screw	M12×25	4
29	C628003707	Dial		1
30	CW6163A03707	Sleeve		1
31	C613203711	Leaf Spring		1
32	C6140W03107	Handwheel		1
33	GB812	Round Nut	M20×1.5	2
34	C6140W03705	Handle		1
35	CW6163A03301	Label		1
36	GB827	Rivet	3×8	2

## Head Stock Assembly V

Index No.	Part No.	Description	Size	Qty.
1	C6140W-02835	Countersunk Screw		1
2	GB70	Hex Socket Cap Screw	M8×40	10
3	C6280-02781	Gas Discharge Screw		1
4	CW6163A02501	Headstock Cover		1
5	CW6163A02101	Headstock Casting		1
6	CW6163A02302	Label		1
7	GB818	Cross Pan Head Screw	M4×5	8
8	GB819	Slotted Countersunk Screw	M6×8	12
9	CW6163A02301	Speed Label		1
10	R51-2	Round Oil Indicator	20	1
11	GB5780	Hex Screw	M20×65	2
12	C6280-02780	Positioning Pin		1
13	CW6163A02707	Adjusting Screw		2
14	GB70	Hex Socket Cap Screw	M8×50	2
15	C6280-02796	Fitting		1
16	C6280-02305	Warning Plate		1
17	GB818	Cross Pan Head Screw	M3×4	4
18	GB5780	Hex Screw	M20×80	3
19	GB97.2	Washer	20	3
20	CW6163A02107	Clamping Plate		1
21	C6140W-02711	Screw		3
22	C6280-02131	Positioning Plate		1
23	C6280-02777	Taper Thread Square Fitting		1
24	G91-3	Fitting Sleeve	10	1
	Y91-1A	Buckle Fitting Nut	10	1
		Copper Pipe	10	1
25	C6280-02811	Straight Fitting		1
26	G92-3A-31	Taper Thread Fitting	10(f)-Z1/4"	1
27	G91-3 Assembly	Buckle Fitting Assembly	A10-JB1918	2Group
		Copper Pipe	Ø10×420	1
28	C6140W-02831	Stopping Nut		2
29	CW6163A02708	Oil Distributor Welded Assembly		1
30	C6280-02812	Pipe Clip		1
31	G91-3 Assembly	Buckle Fitting Assembly	A4-JB1918	9
		Copper Pipe	4	9
32	GB818	Cross Pan Head Screw	M6×8	3

54.....	GB117.....	Taper Pin.....	8×40.....	2
55.....	C6280-02807.....	Positioning Plate.....		1
56.....	GB819.....	Slotted Countersunk Screw.....	M6×14.....	2
57.....	C6280-02810.....	Lever Shaft.....		1
58.....	GB3452.1.....	O Ring.....	17×2.65.....	1
59.....	CW62101B02154T.....	Lever Support.....		1
60.....	GB73.....	Slotted Set Screw.....	M5×8.....	3
61.....	CW62101B02808T.....	Lever Shaft.....		2
62.....	Z16-2.....	Lever Cover.....	M8×25.....	2
63.....	GB308.....	Steel ball.....	10.....	4
64.....	Q81-1.....	Cylindrical Compressed Spring.....	1.5×8.5×30.....	4
65.....	C6280-02782.....	Spring Sleeve.....		1
66.....	C6280-02783.....	Spring Sleeve.....		1
67.....	CW62101B02153T.....	Lever Support.....		1
68.....	C6280-02809.....	Liner.....		1
69.....	GB819.....	Slotted Countersunk Screw.....	M6×16.....	4
70.....	C6280-02799.....	Positioning Plate.....		1
71.....	C6280-02789.....	Shaft.....		1
72.....	GB3452.1.....	O Ring.....	20×2.65.....	1
73.....	CW62101B02138T.....	Lever Support.....		1
74.....	CW62101B02786T.....	Lever Shaft.....		2
75.....	JB1341.....	Lever Cover.....	M12×40.....	2
76.....	C6280-02787.....	Spring Sleeve.....	M8×40.....	2
77.....	GB894.1.....	Circlip For Shaft.....	25.....	1
78.....	CW62101B02136T.....	Lever Support.....		1
79.....	C6280-02788.....	liner.....		1
80.....	C6280-02150.....	Stopper.....		1

# Head Stock Assembly IV



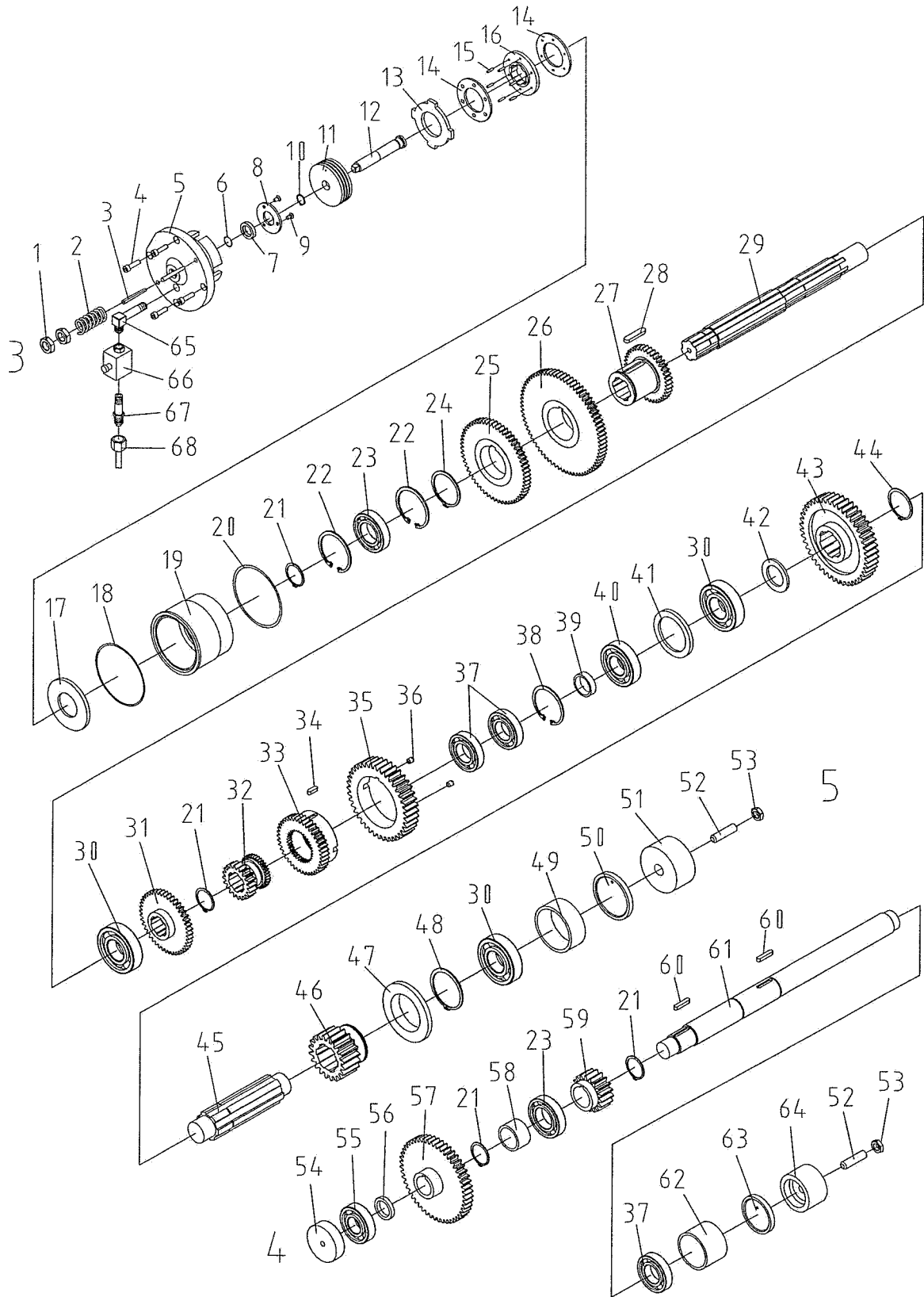
## Head Stock Assembly III

Index No.	Part No.	Description	Size	Qty.
1.....	C6280-02750-1.....	Round Nut.....		1
2.....	GB77.....	Hex Socket Set Screw.....	M12×12.....	2
3.....	C6280-02750-2.....	Pressing Piece.....		1
4.....	GB70.....	Hex Socket Cap Screw.....	M8×30.....	4
5.....	CW6163A02106.....	Back flange.....		1
6.....	C6280-02751.....	Oil Splashing Ring.....		1
7.....	NN3026K/P5.....	Double Row Roller Bearing.....	130×200×52.....	1
8.....	GB893.1.....	Circlip for Hole.....	200.....	1
9.....	C6280-02702-1.....	Round Nut.....		1
10.....	C6280-02702-2.....	Pressing Piece.....		1
11.....	CW6163A02703.....	Gear.....		1
12.....	6028.....	Deep Groove Ball Bearing.....	140×210×23.....	1
13.....	CW6163A02702.....	Gear.....		1
14.....	CK619102B703-1.....	Round Nut.....		1
15.....	GB77.....	Hex Socket Set Screw.....	M12×16.....	1
16.....	CK619102B703-2.....	Pressing Piece.....		1
17.....	234432.....		160×240×96.....	1
18.....	CK619102B704.....	Spacer.....		1
24.....	NN3032K/P5.....	Double Row Roller Bearing.....	160×240×60.....	1
25.....	G51-2A.....	O Ring.....	250×5.7.....	1
26.....	CW6163A02102.....	Front Flange.....		1
27.....	GB70.....	Hex Socket Cap Screw.....	M8×25.....	6
28.....	C6280-02708.....	Round Nut.....		1
29.....	CW6163A02701.....	Spindle.....		1
30.....	GB1096.....	Key.....	16×45.....	1
31.....	GB1096.....	Key.....	16×70.....	1
32.....	Q81-1.....	Spring.....	1.2×8×25.....	6
33.....	C6280-02712A.....	Cam.....		6
34.....	C6280-02711.....	Position Limiting Screw.....		6
35.....	C6280-02124.....	Stopper.....		1
36.....	6306.....	Deep Groove Ball Bearing.....	30×72×19.....	1
37.....	C6280-02125.....	Inner Spacer.....		1
38.....	CW6163A02706.....	Gear.....		1
39.....	GB894.1.....	Circlip For Shaft.....	35.....	8
40.....	C6280-02774.....	Shaft VII.....		1
41.....	6007.....	Deep Groove Ball Bearing.....	35×62×14.....	1
42.....	C6280-02129.....	InnerSpacer.....		1
43.....	C6280-02775.....	Gear.....		1
44.....	C6280-02776.....	Gear.....		1
45.....	6305.....	Deep Groove Ball Bearing.....	25×62×17.....	2
46.....	C6280-02767.....	Shaft VII <sub>b</sub> .....		1
47.....	C6280-02772.....	Liner.....		2
48.....	C6280-02771.....	Gear.....		1
49.....	C6280-02302.....	Copper Sleeve.....		1
50.....	GB894.1.....	Circlip For Shaft.....	25.....	1
51.....	C6280-02126.....	Sleeve.....		1
52.....	GB893.1.....	Circlip for Hole.....	72.....	1
53.....	C6280-02127.....	Oil Seal Support.....		1
54.....	C6280-02768.....	Oil Seal Liner.....		1
55.....	GB13871.....	Oil Seal.....	B-45×62×8.....	1
56.....	6207.....	Deep Groove Ball Bearing.....	35×72×17.....	1



52.....	GB77 .....	Hex Socket Set Screw.....	M16×70.....	2
53.....	GB6172 .....	Hex Thin Nut.....	M16.....	2
54.....	C6280-02117 .....	Stopper.....		1
55.....	6307 .....	Deep Groove Ball Bearing.....	35×80×21 .....	1
56.....	C6280-02111 .....	Spacer .....		1
57.....	C6280-02734 .....	Gear .....		1
58.....	C6280-02110 .....	Spacer .....		1
59.....	C6280-02727 .....	Gear .....		1
60.....	GB1096 .....	Key .....	8×40 .....	2
61.....	C6280-02724 .....	IV轴 .....		1
62.....	CW6163A02104.....	Spacer .....		1
63.....	C6140W02718.....	Pushing Pan.....		1
64.....	CW6163A02105.....	Stopper.....		1
65.....	C6280-02778 .....	Taper Thread Square Fitting .....		1
66.....		One-way Throttle .....	KLJA-L10.....	1
67.....	G92-1A.....	Taper Thread Square Fitting .....	M16 X 1.5-Z3/8" .....	1
68.....	G91-3 .....	Buckle Fitting Sleeve .....	10 .....	1
	Y91-1A .....	Buckle Fitting Nut.....	10.....	1
		Copper Pipe .....	10.....	1

# Head Stock Assembly II



## Head Stock Assembly I

Index No.	Part No.	Description	Size	Qty.
1.....	GB812	Round Nut	39×1.5	1
2.....	GB858	Stopping Washer	39	1
3.....	B-1956	V-belt		4
4.....	C6280-02119	Pulley		1
5.....	6024	Deep Groove Ball Bearing	120×180×28	2
6.....	C6280-02745	Cover		1
7.....	GB819	Slotted Countersunk Screw	M5×10	4
8.....	GB70	Hex Socket Cap Screw	M8×30	4
9.....	C6280-02118	Bearing Support for Shaft I		1
10.....	GB71	Taper End Set Screw	M8×16	1
11.....	G38-3A	Taper Thread Oil Tap	Z1/8"	4
12.....	6209	Deep Groove Ball Bearing	45×85×19	1
13.....	C6280-02301	Piston Valve		1
14.....	GB893.1	Circlip for Hole	85	1
15.....	C6280-02744	Spacer		1
16.....	61918	Deep Groove Ball Bearing	90×125×18	1
17.....	GB894.1	Circlip For Shaft	45	2
18.....	6009	Deep Groove Ball Bearing	45×75×16	2
19.....	GB893.1	Circlip for Hole	75	1
20.....	C6280-02740	Left Clutch Housing		1
21.....	GB819	Slotted Countersunk Screw	M5×8	2
22.....	GB862.1	Lock Washer	5	2
23.....	C6280-02741	Liner		2
24.....	C6280-02742	Liner		2
25.....	C6140W-02746	Inner Friction Disc		14
26.....	C6140W-02745	Outer Friction Disc		12
27.....	GB70	Hex Socket Cap Screw	M6×14	15
28.....	C6280-02116	Cylinder Cover		2
29.....	Q81-1	Cylindrical Compressed Spring	1.5×10×25	12
30.....	C6280-02114	Oil Cylinder		1
31.....	GB1096	Key	12×35	1
32.....	C6280-02746	Shaft I		1
33.....	GB119	Pin	8m6×30	1
34.....	6006	Deep Groove Ball Bearing	30×55×13	3
35.....	GB894.1	Circlip For Shaft	30	1
36.....	C6280-02736	Right Clutch Housing		1
37.....	GB894.1	Circlip For Shaft	70	2
38.....	6214	Deep Groove Ball Bearing	70×125×24	1
39.....	C6280-02735	Gear		1
40.....	C6280-02130	Spacer		1
41.....	C6280-02733	Gear		1
42.....	C6280-02731	Gear		1
43.....	C6280-02728	Back Shaft I		1
44.....	6208	Deep Groove Ball Bearing	40×80×18	3
45.....	GB894.1	Circlip For Shaft	40	2
46.....	C6280-02726	Shaft I Middle Bearing Support		1
47.....	C6280-02725	Cover		1
48.....	C6280-02720	Pushing Rod		1
49.....	C6280-02719	Pushing Rod 头		1
50.....	C6280-02106	Stopper		1
51.....	GB77	Hex Socket Set Screw	M16×70	1

## Bed Assembly III

Index No.	Part No.	Description	Size	Qty.
1		Coolant Metal Hose	G1/2"×16×700	1
2	C628001746	Pipe		1
3	C628001747	Lamp Support		1
4	GB70	Hex Socket Cap Screw	M10×40	3
5	G92-1A	Taper Thread Fitting	12-Z3/8"	1
6	Y91-1A	Buckle Fitting Nut	12	2
	G91-3	Fitting Pipe	12	2
		Copper Pipe	12×10×230	1
7	G93-1A-31	Square Fitting	12-Z3/8"	1
8	GB70	Hex Socket Cap Screw	M8×20	10
9	GB93	Lock Washer	8	10
10	GB818	Cross Pan Head Screw	M6×16	4
11	C628001750	Upper Bracket		1
12	TL75	Flexible Guard		1
13	C628001758	Press Ring		4
14	C628001757	Support		1
15	G72-1	Rubber Hose Connecting Fitting	12.5	3
16	GB818	Cross Pan Head Screw	M8×16	4
17	G93-1A-31	Square Fitting	18-Z1/2"	1
	Y91-4A	Welded Pipe	18	1
	Y91-2A	Welded Nut	18	1
18	CW6163A01734	Pipe		1
19	CW6163A01743	Angle Steel		2
20	GB6170	Hex Nut	M8	4
21	G13-1	Square Fitting	G3/8"	1
22	CW6163A01733	Bracket		1
24	CW6163A01730A	Coolant Tank		1
25	GB70	Hex Socket Cap Screw	M6×16	4
26	CW6163A01731A	Coolant Tank Cover		1
27	CW6163A01732	Coolant Tank Support		1
28	AB-25	Coolant Pump	90W	1
29	GB97.2	Washer	6	4
30	GB93	Lock Washer	6	4
31	C628001749	Support		1
32		Rubber Hose	ID 1/2"	2
34		Machine Lamp		1
35	GB818	Cross Pan Head Screw	M6×16	4
36	GB818	Cross Pan Head Screw	M6×10	8

## Bed Assembly II

Index No.	Part No.	Description	Size	Qty.
1.....	CW6163A01723.....	Oil Tray.....		1
2.....	CW6163A01722.....	Oil Tray.....		1
3.....	CW6163A01737.....	Bolt.....		4
4.....	CW6163A01108.....	Motor Botton Plate.....		1
5.....	GB5782.....	Hex Screw.....	M16×90.....	4
6.....	GB41.....	Hex Nut.....	M16.....	4
7.....	GB97.2.....	Washer.....	16.....	4
8.....	Y160M-4-B3.....	Motor.....	11KW.....	1
9.....	GB1096.....	Key.....	12×40.....	1
10.....	C628001104.....	Pulley.....		1
11.....	GB78.....	Hex Socket Set Screw.....	M12×25.....	1
12.....	GB818.....	Cross Pan Head Screw.....	M6×16.....	16
13.....	CW6163A01716.....	Cover.....		1
14.....	CW6163A01736.....	Motor Cover.....		4
15.....	GB70.....	Hex Socket Cap Screw.....	M8×16.....	4
16.....	CW6163A01104.....	Front Bed Stand.....		1
17.....	CW6163A01720.....	Cover.....		1
18.....	CW6163A01717.....	Cover.....		1
19.....	CW6163A01105.....	Middle Bed Stand.....		1
20.....	CW6163A01106.....	Back Bed Stand.....		1
21.....	CW6163A01718.....	Cover.....		1
22.....	GB818.....	Cross Pan Head Screw.....	M4×10.....	8
23.....	C628001759-5.....	Oil Tank Cover.....		1
24.....	C628001760.....	Oil Filter Support.....		1
25.....	C628001761.....	Oil Filter.....		1
26.....	C628001759.....	Hydraulic Oil Tank Assembly.....		1
.....	GB1161.....	Oil Indicator.....	B80.....	1
27.....	G38-3A.....	Taper Thread Oil Tap.....	Z1/8".....	1
28.....	CW6163A01740.....	Front Splash Assembly.....		1
29.....	GB70.....	Hex Socket Cap Screw.....	M8×35.....	8

51.....	C628001718	Forward-reverse Rod	.....	1
52.....	C628001725	Stopper	.....	1
53.....	GB118.....	Inner Thread Taper Pin	..... 10×60	2
54.....	GB70	Hex Socket Cap Screw	..... M12×30	2
55.....	C628001717	Feed Rod	.....	1
56.....	C628001722	Criclip	.....	1
57.....	61807	Deep Groove Ball Bearing	..... 35×47×7	2
58.....	GB894.1	Circlip For Shaft	..... 35	1
59.....	C628001724	Stopper	.....	1
60.....	C628001106	Bracket	.....	1
61.....	C628001723	Stopper	.....	1
62.....	GB894.1	Circlip For Shaft	..... 45	1
63.....	61809	Deep Groove Ball Bearing	..... 45×58×7	2
64.....	C628001721	Circlip	.....	1
65.....	GB5781	Hex Bolt	..... M20×60	8
66.....	GB70	Hex Socket Cap Screw	..... M10×50	20
67.....	GB118.....	Inner Thread Taper Pin	..... 10×65	12
68.....	C628001716	Leading Screw	.....	1
69.....	C628001701	Rack	.....	4
70.....	CW6163A01701	Rack	.....	1
71	GB818	Cross Pan Head Screw	..... M6×16	3
72.....	CW6163A01703	Cover	.....	1
73.....	CW6163A01735	Cover	.....	1

# Bed Assembly I

