



JRT-2

ROUTER TABLE

Original:
GB
Operating Instructions

Translations:
D
Gebrauchsanleitung

F
Mode d'emploi



TOOL FRANCE SARL

9 Rue des Pyrénées, 91090 LISSES, France

www.jettools.com

M-10000791M

2019-08



CE-Conformity Declaration CE-Konformitätserklärung Déclaration de Conformité CE

Product / Produkt / Produit:

Router table / Oberfrästisch / table de défonceuse

JRT-2

10000791M

Brand / Marke / Marque:

JET

Manufacturer / Hersteller / Fabricant:

TOOL FRANCE SARL

9 Rue des Pyrénées, 91090 LISSES, France

We hereby declare that this product complies with the regulations
Wir erklären hiermit, dass dieses Produkt der folgenden Richtlinie entspricht
Par la présente, nous déclarons que ce produit correspond aux directives suivantes

2006/42/EC

Machinery Directive / Maschinenrichtlinie / Directive Machines

2014/30/EU

electromagnetic compatibility / elektromagnetische Verträglichkeit / compatibilité électromagnétique

2011/65/EU

RoHS directive / RoHS-Richtlinie / Directive RoHS

designed in consideration of the standards
und entsprechend folgender zusätzlicher Normen entwickelt wurde
et été développé dans le respect des normes complémentaires suivantes

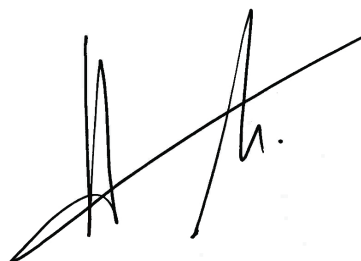
EN ISO 12100:2010

EN 61029-1:2000 A11+A12

Responsible for the Documentation / Dokumentations-Verantwortung / Responsabilité de Documentation:

Head Product-Mgmt. / Leiter Produkt-Mgmt. / Resp. Gestion des Produits

TOOL FRANCE SARL



2019-06-12 Christophe SAINT SULPICE, General Manager

TOOL FRANCE SARL

9 Rue des Pyrénées, 91090 LISSES, France

GB - ENGLISH

Operating Instructions

Dear Customer,

Many thanks for the confidence you have shown in us with the purchase of your new JET-machine. This manual has been prepared for the owner and operators of a **JET JRT-2 router table** to promote safety during installation, operation and maintenance procedures. Please read and understand the information contained in these operating instructions and the accompanying documents. To obtain maximum life and efficiency from your machine, and to use the machine safely, read this manual thoroughly and follow instructions carefully.

...Table of Contents

1. Declaration of conformity

2. Warranty

3. Safety

Authorized use

General safety notes

Remaining hazards

4. Machine specifications

Technical data

Noise emission

Contents of delivery

Machine description

5. Transport and start up

Transport and installation

Assembly

Mains connection

Dust connection

Starting operation

6. Machine operation

7. Setup and adjustments

8. Maintenance and inspection

9. Troubleshooting

10. Environmental protection

11. Available accessories

1. Declaration of conformity

On our own responsibility we hereby declare that this product complies with the regulations and standards listed on page 2.

2. Warranty

TOOL FRANCE SARL guarantees that the supplied product is free from material defects and manufacturing faults.

This warranty does not cover any defects which are caused, either directly or indirectly, by incorrect use, carelessness, accidental damage, repair, inadequate maintenance or cleaning and normal wear and tear.

Any warranty details (i.e. warranty period) can be found in the General Terms and Conditions (GTC) that are integral part of the contract.

These GTC can be viewed at the website of your dealer or sent to you upon request.

TOOL FRANCE SARL reserves the right to make changes to the product and accessories at any time.

3. Safety

3.1 Authorized use

This unit converts a portable router into a benchtop shaper, it is designed for shaping wood and wood derived materials.

Machining of other materials is not permitted and may be carried out in specific cases only after consulting with the manufacturer.

No metal workpieces may be machined.

The workpiece must allow to safely be loaded, supported and guided.

The proper use also includes compliance with the operating and maintenance instructions given in this manual.

The machine must be operated only by persons familiar with its operation and maintenance and who are familiar with its hazards.

The required minimum age must be observed

The machine must only be used in a technically perfect condition

When working on the machine, all safety mechanisms and covers must be mounted.

In addition to the safety requirements contained in these operating instructions and your country's applicable regulations, you should observe the generally recognized technical rules concerning the operation of woodworking machines.

Any other use exceeds authorization.

In the event of unauthorized use of the machine, the manufacturer renounces all liability and the responsibility is transferred exclusively to the operator.

3.2 General safety notes

Woodworking machines can be dangerous if not used properly. Therefore the appropriate general technical rules as well as the following notes must be observed.

Read and understand the entire instruction manual before attempting assembly or operation.



Keep this operating instruction close by the machine, protected from dirt and humidity, and pass it over to the new owner if you part with the tool.

No changes to the machine may be made.

Daily inspect the function and existence of the safety appliances before you start the machine.

Do not attempt operation in this case, protect the machine by unplugging the mains cord.

Remove all loose clothing and confine long hair.

Before operating the machine, remove tie, rings, watches, other jewellery, and roll up sleeves above the elbows.

Wear safety shoes; never wear leisure shoes or sandals.

Always wear the approved working outfit

- safety goggles
- ear protection
- dust protection



Do **not** wear gloves while operating this machine.

For the safe handling of cutting tools wear work gloves.

Always hold and guide the workpieces safely during machining.

Remove cut and jammed workpieces only when motor is turned off and the machine is at a complete standstill.

Install the machine so that there is sufficient space for safe operation and workpiece handling.

Keep work area well lighted.

The machine is designed to operate in closed rooms and must be placed stable on firm and levelled ground.

Make sure that the power cord does not impede work and cause people to trip.

Keep the floor around the machine clean and free of scrap material, oil and grease.

Stay alert!

Give your work undivided attention. Use common sense.

Keep an ergonomic body position.

Maintain a balanced stance at all times.

Do not operate the machine when you are tired.

Do not operate the machine under the influence of drugs, alcohol or any medication. Be aware that medication can change your behaviour.



Never reach into the machine while it is operating or running down.

Keep children and visitors a safe distance from the work area.

Never leave a running machine unattended. Before you leave the workplace switch off the machine.

Do not operate the electric tool near inflammable liquids or gases.

Observe the fire fighting and fire alert options, for example the fire extinguisher operation and place.

Do not use the machine in a damp environment and do not expose it to rain.

Wood dust is explosive and can also represent a risk to health. Dust from some tropical woods in particular, and from hardwoods like beach and oak, is classified as a carcinogenic substance.

Always use a suitable dust extraction device

Before machining, remove any nails and other foreign bodies from the workpiece.

Never operate with the guards not in place – serious risk of injury!

Depending on the job use suitable safety devices, which prevent accidental contact with the rotating cutter. Adapt these safety devices exactly to the respective application and the workpiece dimensions.

Adapt the spindle speed to the cutter diameter.

Always keep your hands well clear of the cutting tool.



Never reach with your hands under the shaper guard when guiding the workpiece!

Machine only stock which rests securely on the table.

Always feed stock against cutter rotation.



Feeding the workpiece in the wrong direction will cause the workpiece to “climb” up on the bit pulling the workpiece and possibly your hands into the rotating bit.

Use a push block when working the ends of narrow stock.

Workpieces shorter than 200mm require special feeding aids (e.g. feeding template).

Never machine a workpiece if it cannot be guided with a sufficient distance to the cutting tool.

Guide the workpiece by the fence to maintain control.

Do not feed the work piece freehand, the work piece may be caught by the rotating tool.

Do not place the workpiece between the router bit and fence. This will cause the workpiece to become wedged, making kickback possible.

Tenoning and slotting work is not allowed – serious risk of injury!

Specifications regarding the maximum or minimum size of the workpiece must be observed.

Specifications regarding the maximum size of the router bit diameter must be observed.

Do not remove chips and workpiece parts until the machine is at a complete standstill.

Always use sharp cutting tools.

Keep the table surface clean, in particular remove resin residue.

Do not stand on the machine.

Make all machine adjustments or maintenance with the machine unplugged from the power source.

The router could start accidentally.

Do not use or plug in your router table until it is completely assembled and installed according to the instructions.

Make sure the router is fully and securely attached to the router table.

Periodically check, the router could vibrate loose and fall from table.

Make sure the router table is secured to a solid, flat and level surface, and will not tip during use.

Always machine the workpiece over its entire length.

Recess machining may only be carried out with the aid of suitable longitudinal workpiece stops.

....high danger of kickback!!!

When working complex shapes, make jigs and guides to guide the workpiece properly and safely.

Make trial cuts on a piece of scrap before working the actual workpiece.

Always work one workpiece at a time.

When machining narrow work pieces (width less than 150mm) the lateral workpiece guide must be used.

Use the smallest table insert possible.

Replace a worn table insert immediately.

Install the router bit according to the instructions in the router manual. Make sure the bit is securely seated in the collet chuck before making any cuts.

The router must first reach the maximum rpm before cutting may begin.

Support long workpieces with helping roller stands or table extensions.

Connection and repair work on the electrical installation may be carried out by a qualified electrician only.



Make all machine adjustments or maintenance with the machine unplugged from the power source.

Have a damaged or worn cord replaced immediately.

3.3 Remaining hazards

When using the machine according to regulations some remaining hazards may still exist.

Touching the cutting tool in the machining area can cause injury. For effective protection, the router bit, the fence, the workpiece hold-down and the lateral workpiece guide must always be adapted to the workpiece and to the machining operation.

Risk of kickback. The workpiece is caught by the rotating cutter and thrown back to the operator.

Thrown workpiece parts can lead to injury.

Sawdust and noise can be health hazards.

Be sure to wear personal protection gear such as safety goggles and ear protection. Use a suitable dust exhaust system.

Wood chips and sawdust can be health hazards. Be sure to wear personal protection gear such as safety goggles ear- and dust protection.

Use a suitable dust exhaust system.

The use of incorrect mains supply or a damaged power cord can lead to injuries caused by electricity.

4. Machine specifications

4.1 Technical data

Machine Table	610 x 360 mm
Table with extensions	1030 x 360 mm
Fence size	540-610 x 75 mm
Dust port diameter D/d	100/57 mm
Max router bit diameter	82,5 mm
Overall dimension	1030 x 360 x 615 mm
Weight	23 kg
Magnetic Switch:	
Voltage / Frequency	1~230V, PE, 50-60Hz
Max. Power (P1)	2700 W
Extension cord (H07RN-F), L ≤ 25m	3x1,5 mm ²
Extension cord (H07RN-F), L > 25m	3x2,5 mm ²
Installation fuse protection	16 A
Protection class	I

4.2 Noise emission

Depending on the router noise and the type of operation.

See technical data of your router to make a better estimation of the hazards and risks involved.

4.3 Content of delivery

2 Legs
2 Table extensions
4 Supports
4 Table inserts
Mitre gauge
Lateral workpiece guide
Workpiece hold down
Adjustable fence
2 Feather boards
Router mounting plate
Dust port adapter Ø 57/ Ø 100 mm
Operating manual
Spare parts list

4.4 Unit description

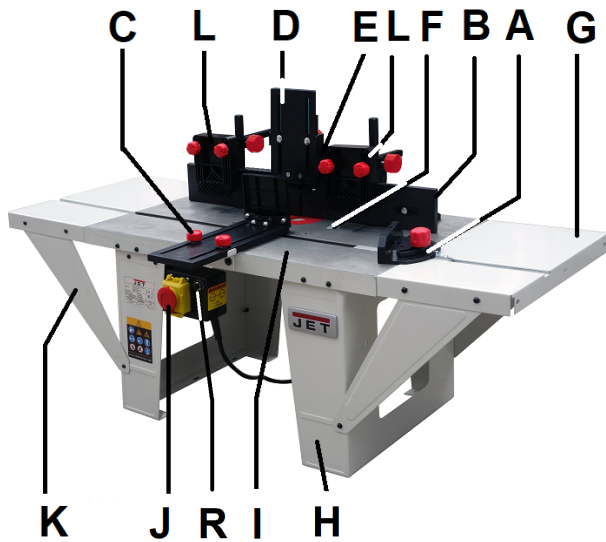


Fig 1

- A Mitre gauge
- B Adjustable fence
- C Lateral workpiece guide
- D Workpiece hold down
- E Dust port
- F Hole for router height adjustment
- G Table extensions
- H Legs
- I Machine table
- J Magnetic On/ Off switch
- K Support s
- L Feather board
- R Switch overload cut-off

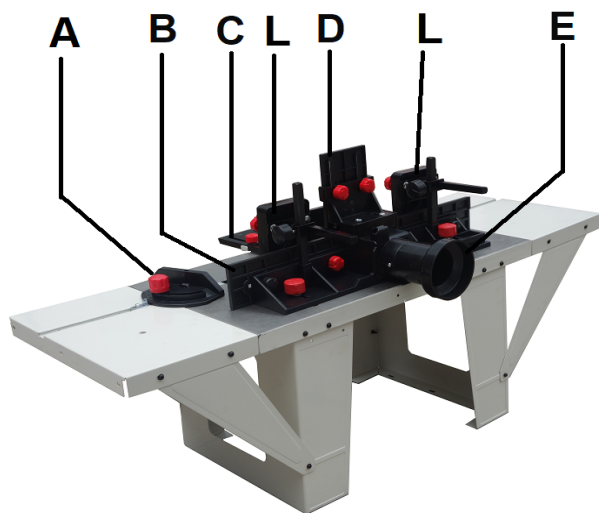


Fig 2

5. Transport and start up

5.1 Transport and installation

The tool is designed to operate in closed rooms and must be placed stable on firm and levelled surface.

The tool can be bolted down.

5.2 Assembly

If you notice any transport damage while unpacking, notify your supplier immediately. Do not operate the machine!

Dispose of the packing in an environmentally friendly manner.

Attach the Legs:

Attach the legs (H, Fig 3) to the table (I) with the supplied pan head screws and nuts (L).

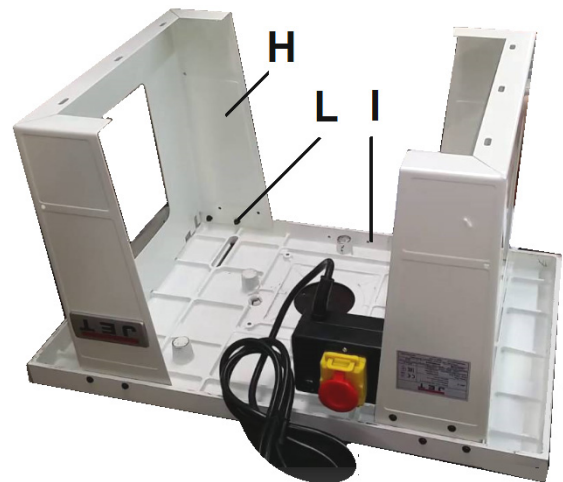


Fig 3

Attach the Switch:

Attach the switch (J, Fig 1) with 2 screws.

Attach the Table Extensions (Fig 4):

Attach the table extensions (G, Fig 1) and supports (K) with pan head screws and nuts.

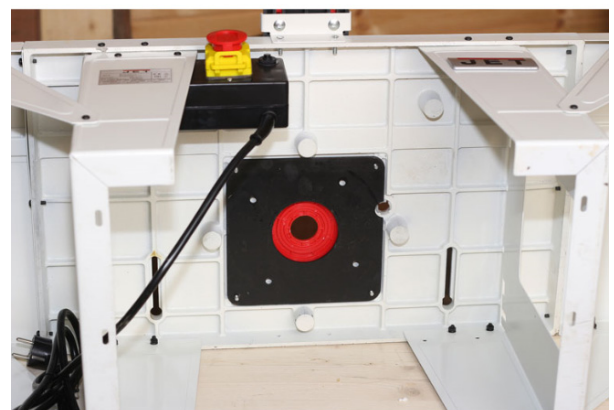


Fig 4

Attach the Router (Fig 5, Fig 6):

Attach the router to the mounting plate (T, Fig 5) by use of supplied screws (U).

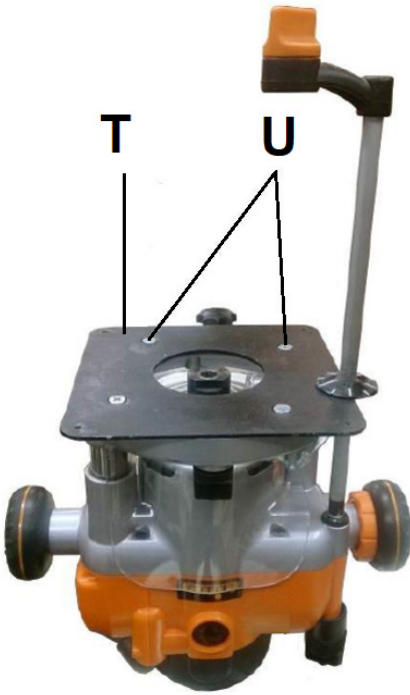


Fig 5

Holes may need to be drilled according to your router's hole pattern (Fig 6).

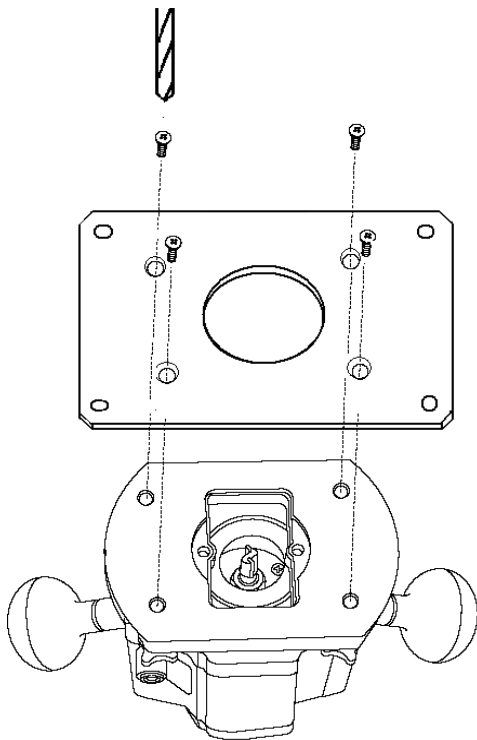


Fig 6

Attach the router with mounting plate to the table by use of supplied screws (Fig 7-1, Fig 7-2).



Fig 7-1

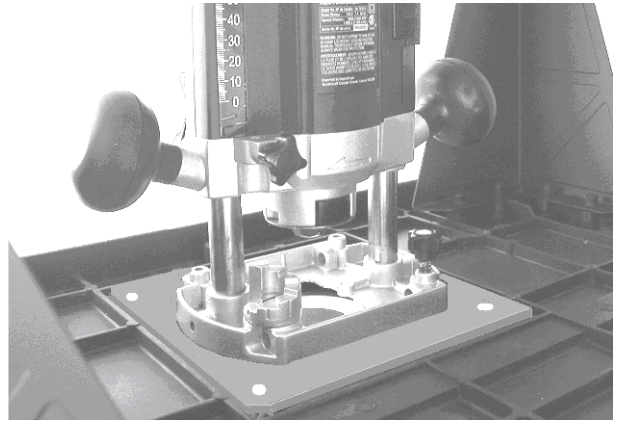


Fig 7-2

Attach the Lateral Workpiece Guide (Fig 8):

Attach the support bracket (M) with 2 screws.

Attach the lateral workpiece guide (C) with 2 carriage bolts, washers and knobs.

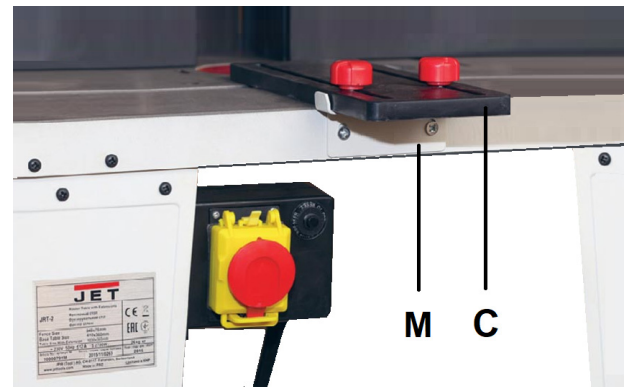


Fig 8

Attach the Fence to the Table (Fig 9):

Attach the fence to the table, with 2 carriage bolts, washers and knobs.

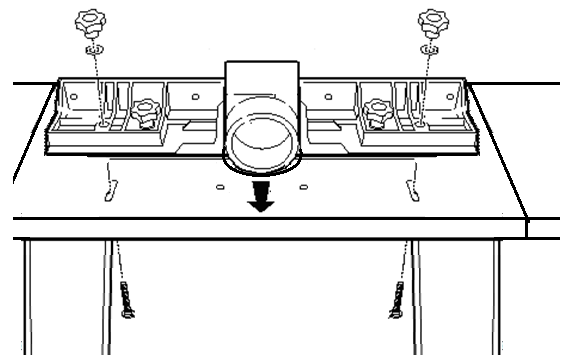


Fig 9

Attach the Fence Boards and Dust Port (Fig 10):

Attach the fence boards to the fence, with 4 carriage bolts, washers and knobs. Attach the dust port (D).

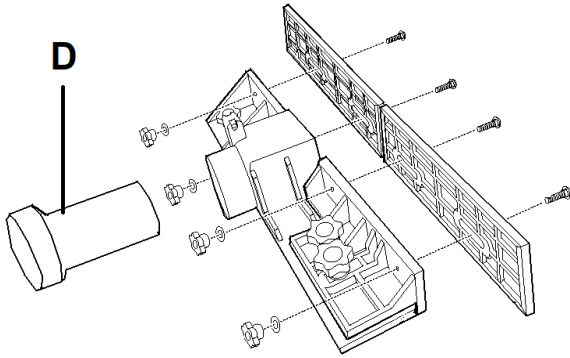


Fig 10

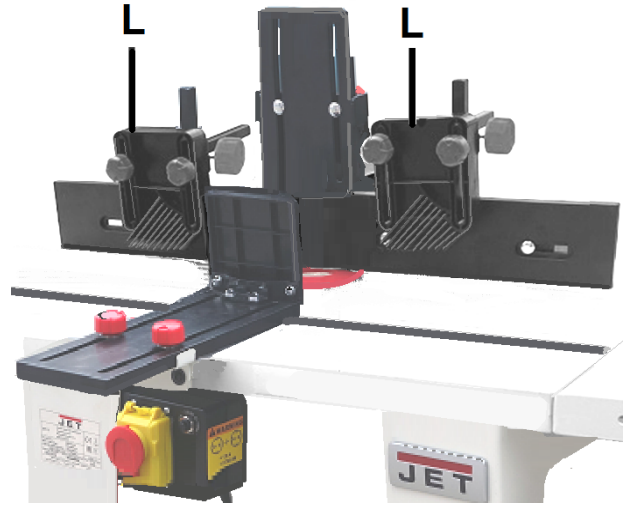


Fig 11-3

Attach the Workpiece Hold Down 's:

Attach the hold down support (N, Fig 11-1) with two screws and nuts (P).

Attach the workpiece hold down (D) with two carriage bolts, washers and knobs (O).

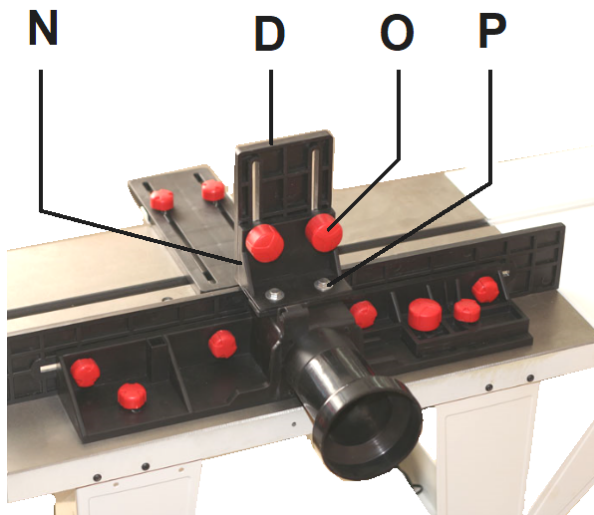


Fig 11-1

Attach the feather boards (Fig 11-2, Fig 11-3)

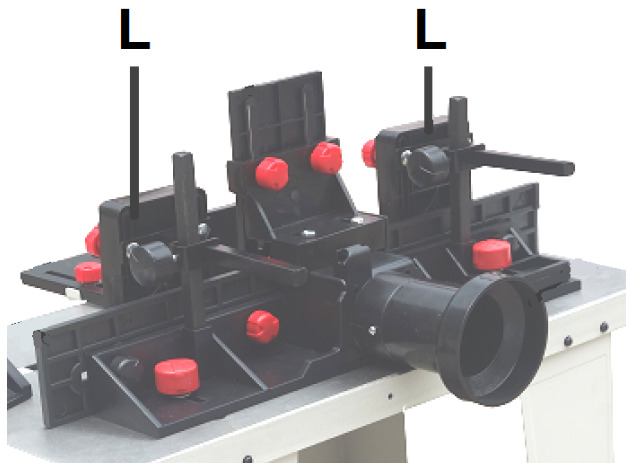


Fig 11-2

Attach the Table Inserts:

Always use the smallest table insert possible (Fig 11-4).

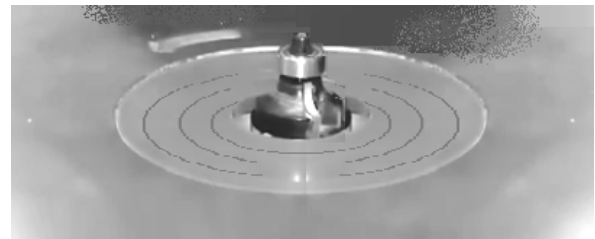


Fig 11-4

Assemble the Mitre Gauge (Fig 12):

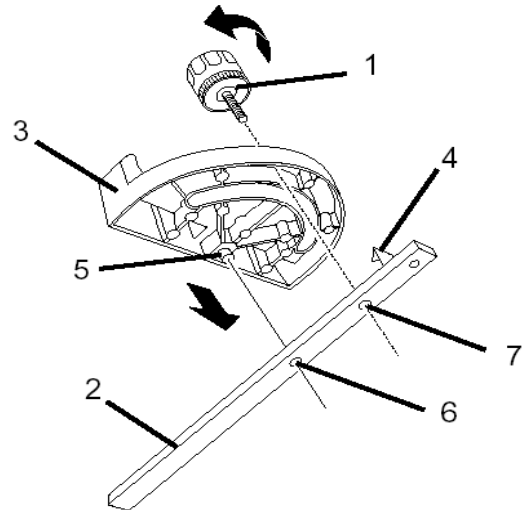


Fig 12

5.3 Dust connection

Before initial operation, the machine must be connected to a dust extractor. The suction should switch on automatically when the router is switched on.

5.4 Mains connection

For safety reasons the router must be connected to the magnetic switch (J, Fig 13-1). This assures a safe On/Off-operation and avoids auto-restarting after power failures.

Make sure the router switch is in the OFF-position before you plug in.

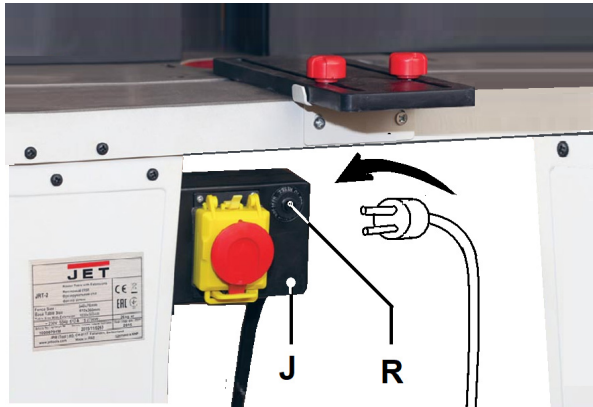


Fig 13-1



Fig 13-2

The power (motor input power P1) connected to the switch box sockets may not exceed 2700W in total.

In case of switch overload the overload cut-off (R) will react. After approximately 5 minutes of cooling the overload cut-off can be reset.

Make sure that the power cord does not impede work and cause people to trip.

Mains connection and any extension cords used must comply with applicable regulations.

The mains voltage must comply with the information on the machine licence plate.

Only use connection cables marked H07RN-F

The mains connection must have a 16A surge-proof fuse.

Connections and repairs to the electrical equipment may only be carried out by qualified electricians.

5.5 Starting operation

Turn the router switch to the ON-position.

You can now start the machine with the green On-button on the magnetic switch (J, Fig 13-1).

The red Off-button on the magnetic switch stops the machine.

Both sockets are operated by the switch.

A shop-vac connected to the second socket will start and stop together with the router.

6. Machine operation

Workpiece handling:

Feed the workpiece straight across the machine table, holding your fingers close together, guiding the workpiece with the palm of your hands.

Never put your hands under or behind the shaper guard. Always keep your hands well clear of the rotating cutter.

Always feed the workpiece against the cutter rotation (Fig 14).

Adjust the workpiece hold down (D), to guide the workpiece and to avoid workpiece lifting.

Use the 2 feather boards (L) for additional workpiece guidance.

Adjust the lateral workpiece guide (C), to guide the workpiece and to press the workpiece against the fence.

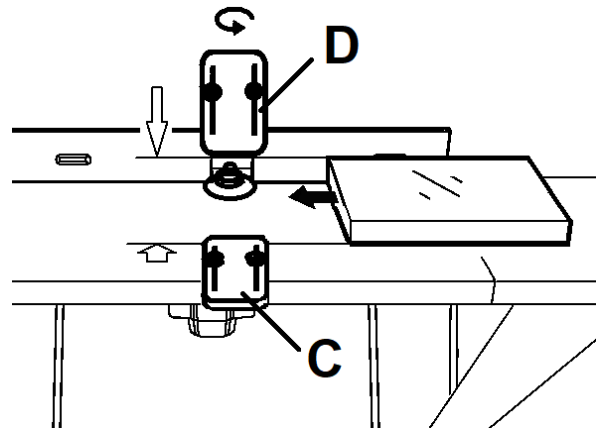


Fig 14

Use a push block when working the ends of narrow stock.

Workpieces shorter than 200mm require special feeding aids (e.g. feeding template).

Always machine the workpiece over its entire length.

Recess machining may only be carried out with the aid of suitable longitudinal workpiece stops (X, Fig 15), to reduce risk of workpiece kickback.

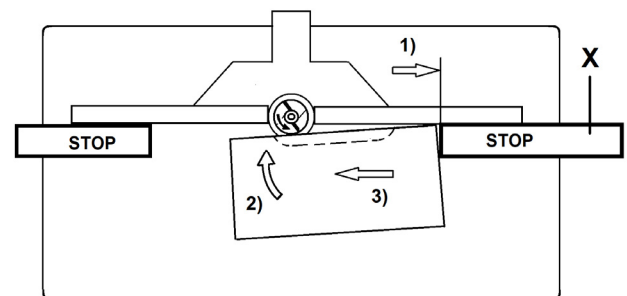


Fig 15

When working complex shapes, make jigs and guides to guide the workpiece properly and safely.

Tenoning and slotting work is not allowed – serious risk of injury!

Make trial cuts on a piece of scrap before working the actual workpiece.

Support long and wide work pieces with helping roller stands.

Always work one workpiece at a time.

Always hold and guide the work pieces safely during machining.

Do not perform any operation freehand.

Use the mitre gauge (A) to guide the workpiece for crosscut operations.

Machining curved workpieces:

Install a suitable infeed guide (S, Fig 16) on the machine table. Use it to guide the workpiece safely until it is supported by the ball bearing of the router bit.

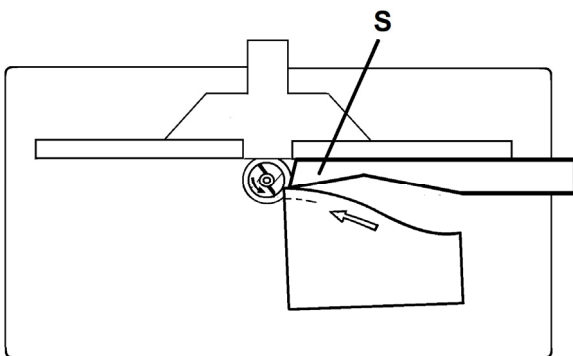


Fig 16

Attention:

Install the router bit according to the instructions in the router manual. Make sure the bit is securely seated in the collet chuck before making any cuts.

Always use sharp cutting tools.

Always use the protective covers supplied.

Ensure that the protective cover is in the correct position before you start machining.

The router must first reach the maximum rpm before cutting may begin.

Remove cut and jammed work pieces only when motor is turned off and the machine is at a complete standstill.

Pay particular attention on reducing the risk of kickback.

Ensure that the router bit, the fence, the workpiece hold down and the lateral workpiece guide are in the correct position before you start machining.

Always use the smallest table insert possible.

Replace worn table inserts.

7. Setup and adjustments

General note:

Setup and adjustment work may only be carried out after the machine is protected against accidental starting by pulling the mains plug.

Make sure all levers and locking handles are tightened before operating the tool.

8. Maintenance and inspection

General note:

Maintenance, cleaning and repair work may only be carried out after the machine is protected against accidental starting by pulling the mains plug.

Repair and maintenance work on the electrical system may only be carried out by a qualified electrician.

9. Trouble shooting

Motor doesn't start

*No electricity-
check mains and fuse.

*Defective switch, motor or cord-
consult an electrician.

*Switch overload cut-off has reacted-
wait for 5 minutes and reset (push button).

10. Environmental protection

Protect the environment.

Your appliance contains valuable materials which can be recovered or recycled. Please leave it at a specialized institution.



This symbol indicates separate collection for electrical and electronic equipment required under the WEEE Directive (Directive 2012/19/EC) and is effective only within the European Union.

11. Available accessories

Refer to the JET-Pricelist

Gebrauchsanleitung

Sehr geehrter Kunde,

vielen Dank für das Vertrauen, welches Sie uns beim Kauf Ihrer neuen JET-Maschine entgegengebracht haben. Diese Anleitung ist für den Inhaber und die Bediener zum Zweck einer sicheren Inbetriebnahme, Bedienung und Wartung des **Oberfrästisches JRT-2** erstellt worden. Beachten Sie bitte die Informationen dieser Gebrauchsanleitung und der beiliegenden Dokumente. Lesen Sie diese Anleitung vollständig, insbesondere die Sicherheitshinweise, bevor Sie die Maschine zusammenbauen, in Betrieb nehmen oder warten. Um eine maximale Lebensdauer und Leistungsfähigkeit Ihrer Maschinen zu erreichen befolgen Sie bitte sorgfältig die Anweisungen.

Inhaltsverzeichnis

1. Konformitätserklärung

2. Garantie

3. Sicherheit

Bestimmungsgemäße Verwendung
Allgemeine Sicherheitshinweise
Restrisiken

4. Maschinenspezifikation

Technische Daten
Schallemission
Lieferumfang
Maschinenbeschreibung

5. Transport und Inbetriebnahme

Transport und Aufstellung
Montage
Absaug Anschluss
Elektrischer Anschluss
Inbetriebnahme

6. Betrieb der Maschine

7. Rüst- und Einstellarbeiten

8. Wartung und Inspektion

9. Störungsabhilfe

10. Umweltschutz

11. Zubehör

1. Konformitätserklärung

Wir erklären in alleiniger Verantwortlichkeit, dass dieses Produkt mit den auf Seite 2 angegebenen Richtlinien übereinstimmt.

2. Garantie

TOOL France SARL garantiert, dass das gelieferte Produkt frei von Material- und Fertigungsfehlern ist. Diese Garantie trifft nicht auf jene Defekte zu, welche auf direkten oder indirekten, nicht fachgerechten Gebrauch, Unachtsamkeit, Unfallschaden, Reparatur, mangelhafte Wartung bzw. Reinigung sowie normalen Verschleiß zurückzuführen sind.

Die ausführlichen Garantieleistungen (z.B. Gewährleistungsfrist) sind den Allgemeinen Geschäftsbedingungen (AGB) zu entnehmen. Die AGB sind auf der Internetseite ihres Händlers einzusehen oder werden auf Anfrage per Post zugestellt.

TOOL France SARL behält sich das Recht vor, jederzeit Änderungen am Produkt und Zubehör vorzunehmen.

3. Sicherheit

Die Maschine ist geeignet zum Fräsen von Holz und Holzersatzstoffen.

Die Bearbeitung anderer Werkstoffe ist nicht zulässig bzw. darf in Sonderfällen nur nach Rücksprache mit dem Maschinenhersteller erfolgen.

Es dürfen keine metallischen Werkstoffe bearbeitet werden.

Es dürfen nur Werkstücke bearbeitet werden welche sicher aufgelegt und geführt werden können.

Die bestimmungsgemäße Verwendung beinhaltet auch die Einhaltung der vom Hersteller angegebenen Betriebs- und Wartungsanweisungen.

Die Maschine darf ausschließlich von Personen bedient werden, die mit Betrieb und Wartung vertraut und über die Gefahren unterrichtet sind.

Das gesetzliche Mindestalter ist einzuhalten.

Die Maschine nur in technisch einwandfreiem Zustand benutzen.

Beim Arbeiten an der Maschine müssen sämtliche Schutzeinrichtungen und Abdeckungen montiert sein.

Neben den in der Gebrauchsanleitung enthaltenen Sicherheitshinweisen und den besonderen Vorschriften Ihres Landes sind die für den Betrieb von Holzbearbeitungsmaschinen allgemein anerkannten fachtechnischen Regeln zu beachten.

Jeder darüber hinaus gehende Gebrauch gilt als nicht bestimmungsgemäß und für daraus resultierende Schäden haftet der Hersteller nicht. Das Risiko trägt allein der Benutzer.

3.2 Allgemeine Sicherheitshinweise

Holzbearbeitungsmaschinen können bei unsachgemäßem Gebrauch gefährlich sein. Deshalb ist zum sicheren Betreiben die Beachtung der zutreffenden Unfallverhütungs-vorschriften und der nachfolgenden Hinweise erforderlich.

Lesen und verstehen Sie die komplette Gebrauchsanleitung bevor Sie mit Montage oder Betrieb der Maschine beginnen.



Bewahren Sie die Bedienungsanleitung, geschützt vor Schmutz und Feuchtigkeit, bei der Maschine auf, und geben Sie sie an einen neuen Eigentümer weiter.

An der Maschine dürfen keine Veränderungen, An- und Umbauten vorgenommen werden.

Festgestellte Mängel an der Maschine oder den Sicherheitseinrichtungen sind zu melden und von den beauftragten Personen zu beheben.

Nehmen Sie die Maschine in solchen Fällen nicht in Betrieb, sichern Sie die Maschine gegen Einschalten durch Ziehen des Netzsteckers.

Zum Schutz von langem Kopfhair Mütze oder Haarnetz aufsetzen.

Enganliegende Kleidung tragen, Schmuck, Ringe und Armbanduhren ablegen.

Tragen Sie Schutzschuhe, keinesfalls Freizeitschuhe oder Sandalen.

Stets zulässige und geeignete Arbeitskleidung tragen:

- Schutzbrille
- Gehörschutz
- Staubschutzmaske



Beim Arbeiten mit der Maschine **keine Handschuhe** tragen.

Zum sicheren Handhaben der Fräswerkzeuge geeignete Arbeitshandschuhe tragen.

Es ist darauf zu achten dass alle Werkstücke beim Bearbeiten sicher gehalten und sicher geführt werden.

Eingeklemmte Werkstücke nur bei ausgeschaltetem Motor und Stillstand der Maschine entfernen.

Die Maschine so aufstellen, dass genügend Platz zum Bedienen und zum Führen der Werkstücke gegeben ist.

Sorgen Sie für gute Beleuchtung.

Achten Sie darauf, dass die Maschine standsicher auf festem und ebenem Grund steht.

Beachten Sie dass die elektrische Zuleitung nicht den Arbeitsablauf behindert und nicht zur Stolperstelle wird.

Den Arbeitsplatz frei von behindernden Werkstücken, etc. halten.

Seien Sie aufmerksam und konzentriert. Gehen Sie mit Vernunft an die Arbeit.

Achten Sie auf ergonomische Körperhaltung.

Sorgen Sie für sicheren Stand und halten Sie jederzeit das Gleichgewicht.

Arbeiten Sie niemals unter dem Einfluss von Rauschmitteln wie Alkohol und Drogen an der Maschine. Beachten Sie, dass auch Medikamente Einfluss auf Ihr Verhalten nehmen können.



Niemals in die laufende Maschine greifen.

Halten Sie Unbeteiligte, insbesondere Kinder vom Gefahrenbereich fern.

Die laufende Maschine nie unbeaufsichtigt lassen. Vor dem Verlassen des Arbeitsplatzes die Maschine ausschalten.

Benützen Sie die Maschine nicht in der Nähe von brennbaren Flüssigkeiten oder Gasen.

Beachten Sie die Brandmelde- und Brandbekämpfungsmöglichkeiten z.B. Standort und Bedienung von Feuerlöschern.

Benützen Sie die Maschine nicht in feuchter Umgebung und setzen Sie sie nicht dem Regen aus.

Achten Sie stets darauf, dass keine zu große Staubkonzentration entsteht – verwenden Sie stets eine geeignete Absauganlage
Holzstaub ist explosiv und kann gesundheitsschädigend sein.

Vor der Bearbeitung Nägel und andere Fremdkörper aus dem Werkstück entfernen.

Die Maschine niemals mit abgebauten Schutzeinrichtungen betreiben.

- Hohe Verletzungsgefahr!

Verwenden Sie je nach Einsatzzweck die entsprechende Schutzeinrichtung, die ein sicheres Führen des Werkstückes gewährleistet.

Passen Sie die Schutzeinrichtung genau an den Einsatzzweck und die Werkstückabmessungen an.

Passen Sie die Frässpindeldrehzahl an den Werkzeugdurchmesser an.

Halten Sie mit Ihren Fingern immer ausreichend Abstand zum rotierenden Fräswerkzeug.



Fassen Sie beim Führen des Werkstücks niemals mit den Händen unter den Frässhutz!

Bearbeiten Sie nur ein Werkstück, das sicher auf dem Tisch aufliegt und sicher geführt werden kann.

Das Werkstück nur gegen die Fräserlaufrichtung vorschieben.



Zuführung des Werkstücks von der falschen Seite kann zu Werkstückrückschlag führen. Ihre Finger könnten mit dem Werkstück zum Fräser hineingezogen werden

Bei schmalen Werkstücken am Ende der Bearbeitung mit dem Schiebeh Holz vorschieben.

Bei Werkstücklängen unter 200mm sind besondere Zuführhilfen (z.B. Scheibeholz, Schiebelade) erforderlich.

Bearbeiten Sie kein Werkstück welches nicht mit einem ausreichenden Sicherheitsabstand zum Fräswerkzeug geführt werden kann.

Das Werkstück niemals freihändig zuführen. Das Fräswerkzeug könnte das Werkstück schlagartig erfassen.

Das Werkstück darf nie zwischen Fräsanschlag und Fräswerkzeug zugeführt werden.

Das Werkstück kann sich dabei verklemmen, Werkstückrückschlag ist möglich.

Zapfenschneiden und Schlitzen ist nicht zulässig (hohe Verletzungsgefahr).

Die min. und max. Werkstückabmessungen müssen eingehalten werden.

Der maximal zulässige Werkzeugdurchmesser muss eingehalten werden.

Späne und Werkstücke nur bei stehender Maschine entfernen.

Benutzen Sie stets scharfe Fräswerkzeuge.

Die Oberfläche des Frästisches sauber halten, insbesondere Harzrückstände entfernen

Nicht auf der Maschine stehen.

Umrüst-, Einstell- und Reinigungsarbeiten nur im Maschinenstillstand und bei gezogenem Netzstecker vornehmen.

Die Oberfräse könnte unbeabsichtigt starten.

Den Oberfrästisch und die Oberfräse erst benutzen wenn alles entsprechend der Bedienanleitung zusammengesetzt und eingestellt wurde.

Die Oberfräse muss am Oberfrästisch sicher befestigt sein. Regelmäßig kontrollieren, sie könnte sich durch Vibrationen lösen und vom Tisch fallen.

Der Oberfrästisch muss auf einer ebenen, belastbaren Fläche befestigt sein, damit er bei Benützung nicht kippen kann.

Fräsen Sie Werkstücke stets über die volle Länge.

Einsetzarbeiten sind nur unter Zuhilfenahme von geeigneten Längsanschlägen zulässig.
...hohe Rückschlaggefahr!!!

Bei komplizierten Formen, Schablonen zum exakten und sicheren Führen herstellen.

Vor dem Bearbeiten des Werkstücks, an einem Abfallstück eine Probefräsung vornehmen.

Bearbeiten Sie immer nur ein Werkstück zugleich.

Bei Bearbeitung von schmalen Werkstücken (Breite kleiner als 150mm) verwenden Sie den Seitendruckschuh

Benutzen Sie immer eine möglichst kleine Tischeinlage.

Eine verschlissene Tischeinlage sofort ersetzen.

Montieren Sie das Fräswerkzeug entsprechend der Bedienanleitung des Oberfräsmaschinen-Herstellers.
Die Maschine nur benutzen wenn das Fräswerkzeug sicher in der Oberfräse festgespannt ist.

Beginnen Sie mit der Bearbeitung erst wenn die Oberfräse die volle Drehzahl erreicht hat.

Lange Werkstücke durch Rollenböcke oder Tischverlängerung abstützen.

Arbeiten an der elektrischen Ausrüstung der Maschine dürfen nur durch eine Elektrofachkraft vorgenommen werden.



Umrüst-, Einstell- und Reinigungsarbeiten nur im Maschinenstillstand und bei gezogenem Netzstecker vornehmen.

Tauschen Sie ein beschädigtes Verlängerungskabel sofort aus.

3.3 Restrisiken

Auch bei vorschriftsmäßiger Benutzung der Maschine bestehen die nachfolgend aufgeführten Restrisiken:

Berührung des Fräswerkzeugs im Schnittbereich. Für einen wirkungsvollen Schutz muss der Frässchutz immer an das Werkstück und die Bearbeitung angepasst werden.

Rückschlaggefahr. Das Werkstück wird vom rotierenden Fräswerkzeug erfasst und gegen den Bediener geschleudert.

Gefährdung durch wegfliegende Werkstückteile.

Gefährdung durch Lärm und Staub.

Unbedingt persönliche Schutzausrüstung wie Augen- und Gehörschutz tragen.

Eine geeignete Absauganlage einsetzen.

Gefährdung durch Strom, bei nicht ordnungsgemäßer Verkabelung.

4. Maschinenspezifikation

4.1 Technische Daten

Maschinentisch	610 x 360 mm
Tischgröße mit Tischverbreiterung	1030 x 360 mm
Fräsanschlag	540-610 x 75 mm
Absaugdurchmesser D/d	100/57 mm
Max. Werkzeugdurchmesser	82,5 mm
Abmessungen (LxBxH)	1030 x 360 x 615 mm
Gewicht	23 kg
Magnetschalter:	
Spannung / Frequenz	1~230V, PE, 50-60 Hz
Max. Leistung (P1)	2700 W
Anschlussleitung (H07RN-F), L ≤ 25m	3x 1,5 mm ²
Anschlussleitung (H07RN-F), L > 25m	3x 2,5 mm ²
Bauseitige Absicherung	16 A
Isolationsklasse	I

4.2 Schallemission

Hängt von Drehzahl, Fräswerkzeug und Art der Bearbeitung ab.

Zu den damit verbundenen Risiken siehe die Herstellerhinweise der Oberfräse.

4.3 Lieferumfang

- 2 Füße
- 2 Tischverbreiterungen
- 4 Streben
- 4 Tischeinlagen
- Gehrungsanschlag
- Seitendruckschuh
- Werkstück-Niederhalter
- Fräsanschlag
- 2 Druckkämme
- Montageplatte
- Absaugstutzen Ø 57/ Ø 100 mm
- Gebrauchsanleitung
- Ersatzteilliste

4.4 Maschinenbeschreibung

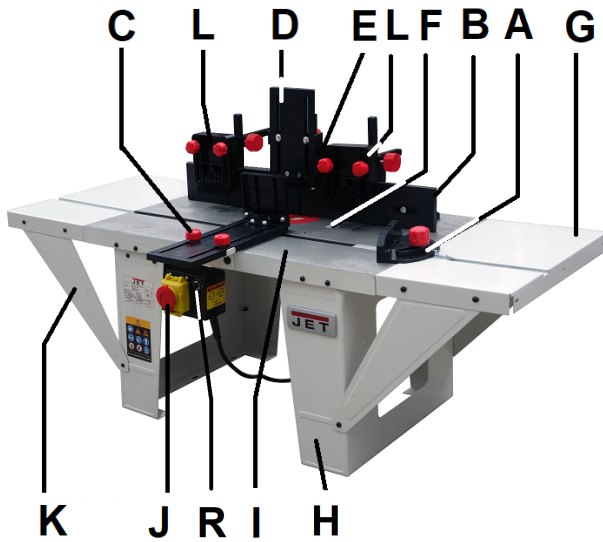


Fig 1

- A Gehrungslinial
- B Fräsanschlag
- C Seitendruckschuh
- D Werkstück-Niederhalter
- E Absauganschluss
- F Bohrung für Kurbel zur Oberfräse-Verstellung
- G Tischverbreiterung
- H Füße
- I Oberfrästisch
- J Magnetschalter Ein/Aus
- K Streben
- L Druckkamm
- R Schalter-Überlastschutz

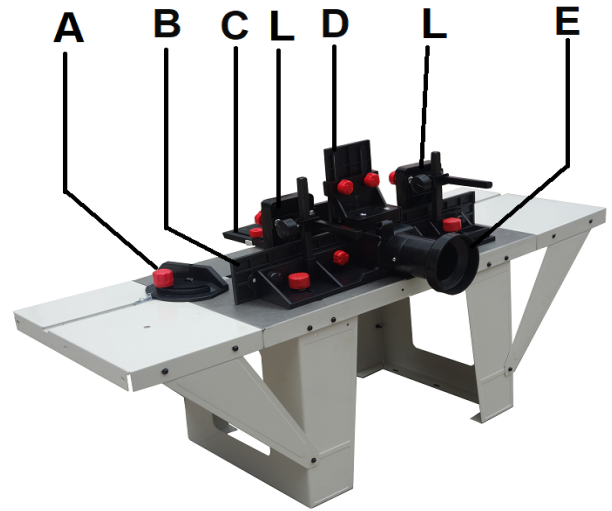


Fig 2

5. Transport und Inbetriebnahme

5.1. Transport und Aufstellung

Die Aufstellung des Frästisches sollte in geschlossenen Räumen erfolgen, die Aufstellfläche muss ausreichend eben und belastungsfähig sein.

Der Frästisch kann bei Bedarf auf der Aufstellfläche befestigt werden.

5.2 Montage

Wenn Sie beim Auspacken einen Transportschaden feststellen benachrichtigen Sie umgehend Ihren Händler, nehmen Sie das Gerät nicht in Betrieb!

Entsorgen Sie die Verpackung bitte umweltgerecht.

Montage der Füße:

Montieren Sie die Füße (H, Fig 3) mit den gelieferten Linsenkopfschrauben und Muttern (L) am Oberfrästisch (I).

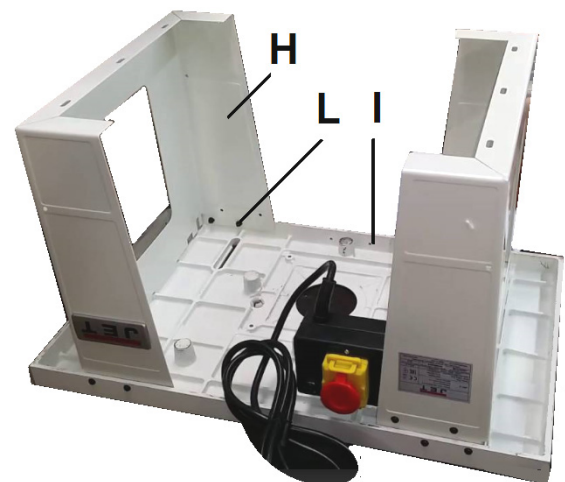


Fig 3

Montage des Magnetschalters:

Montieren Sie den Schalter (J, Fig 1) mit zwei Schrauben.

Montage der Tischverlängerungen (Fig 4) :

Montieren Sie die Tischverbreiterungen (G, Fig 1) und Streben (K) mit den gelieferten Linsenkopfschrauben und Muttern.

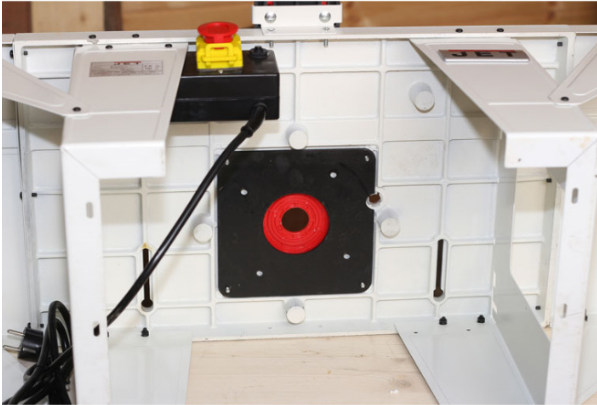


Fig 4

Montage der Oberfräse am Tisch (Fig 5, Fig 6):

Befestigen Sie die Oberfräse mit den gelieferten Schrauben (U) auf der Montageplatte (T, Fig 5).

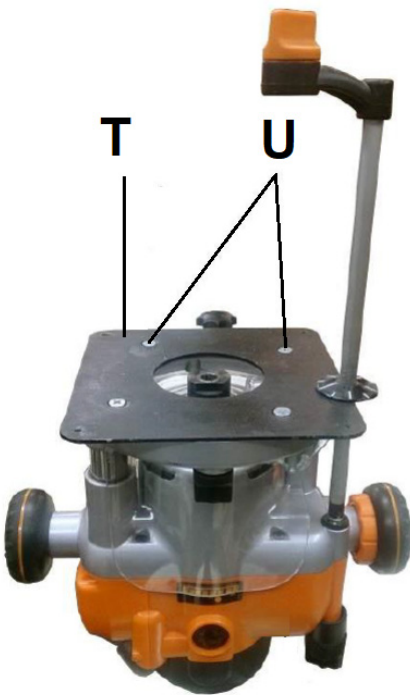


Fig 5

Eventuell müssen Montagelöcher entsprechend des Bohrbildes der Oberfräse gebohrt werden (Fig 6).

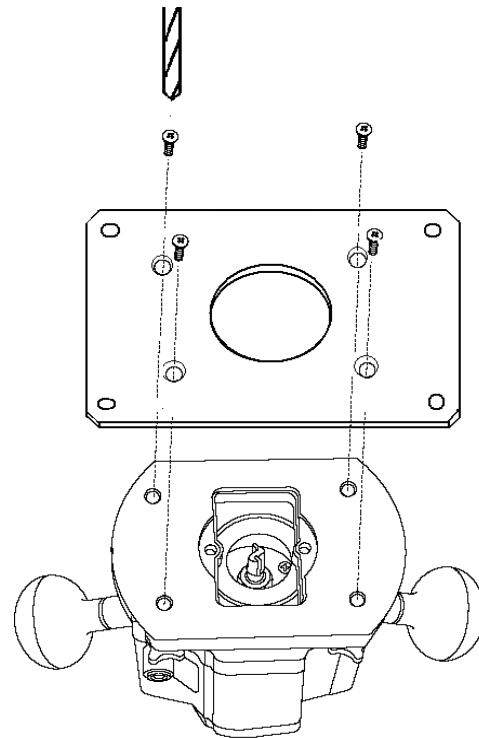


Fig 6

Befestigen Sie die Oberfräse mit der Montageplatte am Oberfrästisch (Fig 7-1, Fig 7-2).

Verwenden Sie die gelieferten Schrauben und Muttern.



Fig 7-1

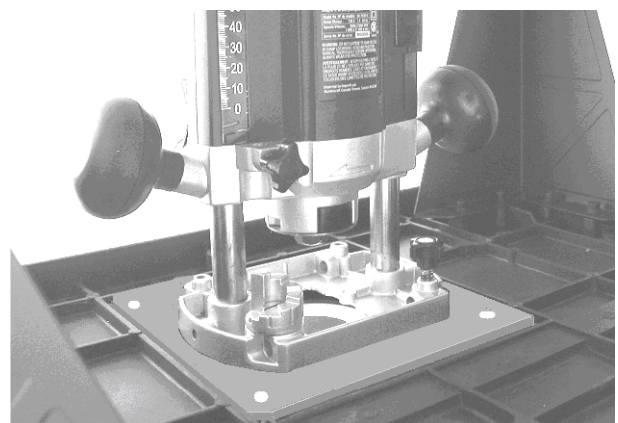


Fig 7-2

Montage des Seitendruckschuhs (Fig 8):

Montieren Sie den Winkelträger (M) mit zwei Schrauben.

Montieren Sie den Seitendruckschuh (C) mit zwei Torbandschrauben, Scheiben und Griffmuttern.

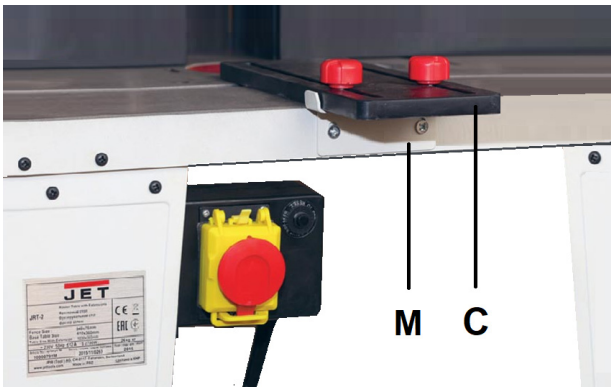


Fig 8

Montage des Fräsanschlages am Tisch (Fig 9):

Montieren Sie den Fräsanschlag am Tisch, mit zwei Schrauben, Scheiben und Griffmuttern.

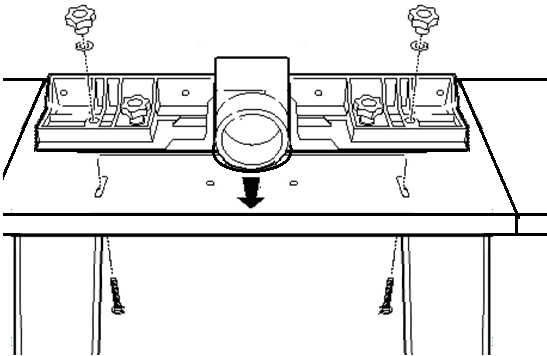


Fig 9

Montage der Anschlagbretter und des Absaugtrichters:

Montieren Sie die Anschlagbretter mit 4 Torbandschrauben, Scheiben und Griffmuttern am Anschlag.

Montieren Sie den Absaugtrichter (D, Fig 10).

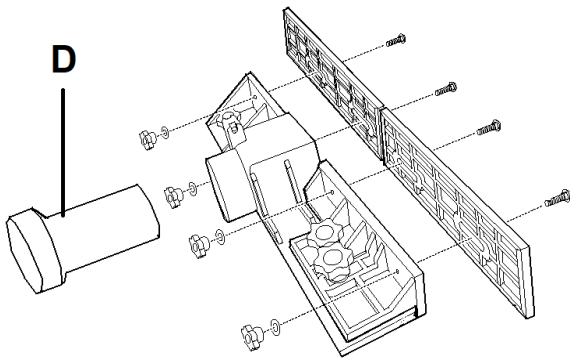


Fig 10

Montage der Werkstück-Niederhalter:

Montieren Sie den Winkelträger (N, Fig 11-1) mit zwei Schrauben und Muttern (P).

Montieren Sie den Werkstück-Niederhalter (D) mit zwei Torbandschrauben, Scheiben und Griffmuttern (O).

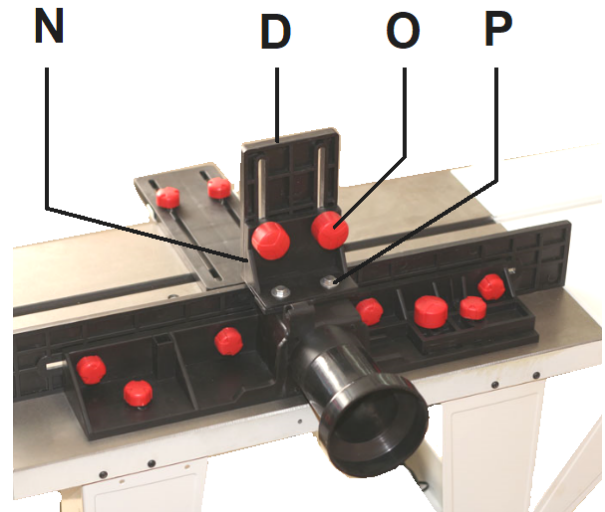


Fig 11-1

Montieren Sie die 2 Druckkämme (L, Fig 11-2, Fig 11-3).

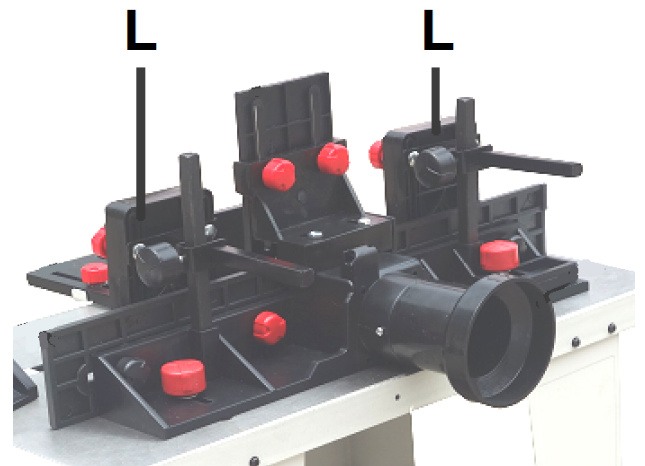


Fig 11-2

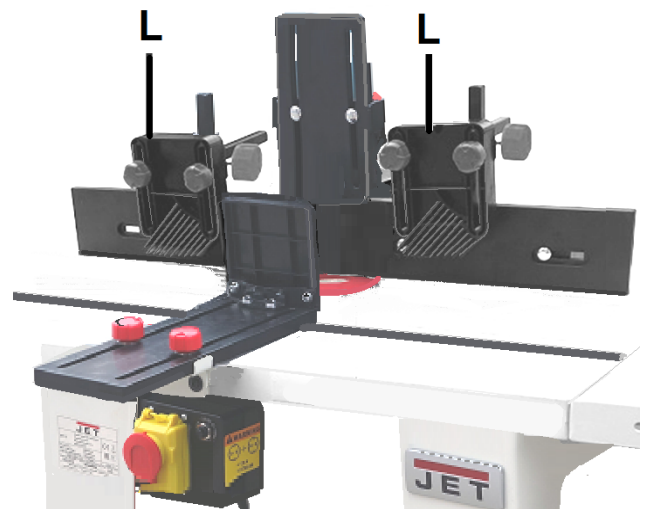


Fig 11-3

Montage der Tischeinlagen (Fig 11-4):

Benutzen Sie immer eine möglichst kleine Tischeinlage.

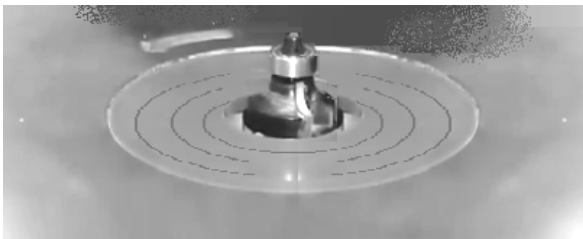


Fig 11-4

Zusammenbau des Gehrungsanschlags (Fig 12):

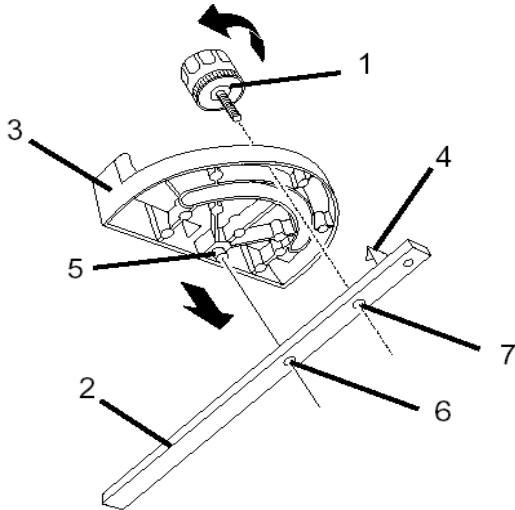


Fig 12

5.3 Absaug Anschluss

Die Maschine muss vor der Inbetriebnahme an eine Absaugung angeschlossen werden und zwar derart, dass sich beim Einschalten der Maschine die Absaugung selbsttätig einschaltet.

5.4 Elektrischer Anschluss

Aus sicherheitstechnischen Gründen muss die Oberfräse am Magnetschalter angeschlossen sein (J, Fig 13-1).

Damit ist eine sichere Ein-/ Aus- Schaltung gewährleistet und wird der Wiederanlauf bei Netzausfall verhindert.

Die Oberfräse muss vor dem Einstecken ausgeschaltet sein.

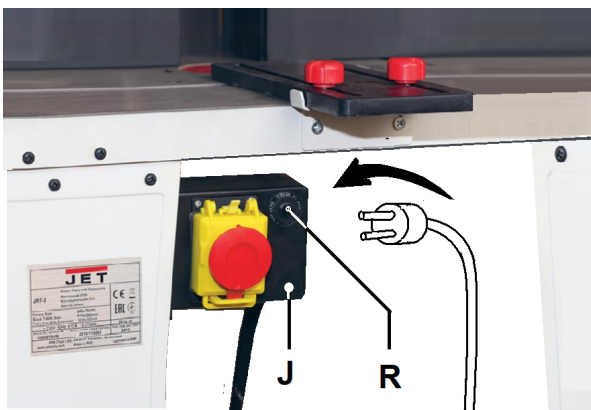


Fig 13-1



Fig 13-2

Die an den 2 Steckdosen angeschlossene Leistung (Motor-Aufnahmeleistung P1) darf insgesamt 2700W nicht überschreiten.

Bei Überlast reagiert der Überlastschutz (R). Nach einer Abkühlzeit von ca. 5 Minuten lässt sich der Überlastschalter wieder eindrücken.

Beachten Sie dass die elektrische Zuleitung nicht den Arbeitsablauf behindert und nicht zur Stolperstelle wird.

Der kundenseitige Netzanschluss sowie die verwendeten Verlängerungsleitungen müssen den Vorschriften entsprechen.

Beachten Sie dass die Netzspannung mit den Leistungsschilddaten der Maschine übereinstimmt.

Verwenden Sie nur Anschlussleitungen mit Kennzeichnung H07RN-F.

Die bauliche Absicherung muss 16A betragen.

Anschlüsse und Reparaturen der elektrischen Ausrüstung dürfen nur von einer Elektrofachkraft durchgeführt werden.

5.5 Inbetriebnahme

Schalten Sie die Oberfräse ein.

Mit dem grünen Ein-Taster des Magnetschalters (J, Fig 13) können Sie nun die Oberfräse starten.

Der rote Aus-Taster stoppt die Oberfräse.

Beide Steckdosen sind mit dem Magnetschalter verbunden. Ein an der zweiten Steckdose angeschlossener Staubsauger startet und stoppt gemeinsam mit der Oberfräse.

6. Betrieb der Maschine

Werkstückhandhabung:

Das Werkstück gerade über den Oberfrästisch schieben. Dabei die Finger geschlossen halten und mit der flachen Hand Führen.

Fassen Sie mit den Händen niemals unter oder hinter den Frässchutz.

Halten Sie immer ausreichend Abstand zum rotierenden Fräswerkzeug.

Führen Sie das Werkstück beim Bearbeiten nur gegen die Laufrichtung des Werkzeugs (Fig 14).

Verwenden Sie den Werkstück-Niederhalter (D, Fig 14) zum Führen des Werkstücks, um ein Hochsteigen zu vermeiden.

Verwenden Sie die 2 Druckkämme (L) zur zusätzlichen Werkstückführung.

Verwenden Sie den Seitendruckschuh (C) zum Führen und seitlichen Andrücken des Werkstücks.

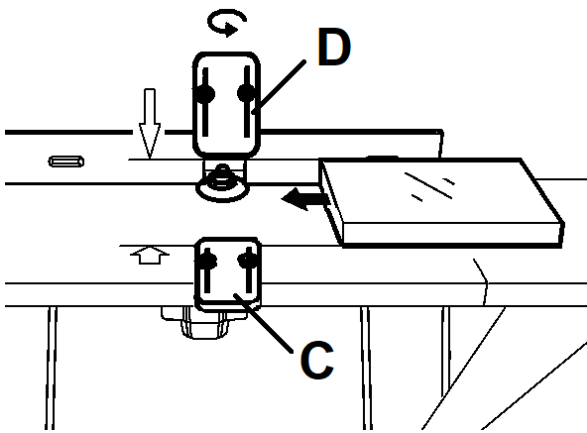


Fig 14

Bei schmalen Werkstücken am Ende der Bearbeitung mit dem Schiebeholz vorschieben.

Bei Werkstücklängen unter 200mm sind besondere Zuführhilfen (z.B. Schiebeholz, Schiebelade) erforderlich.

Fräsen Sie Werkstücke stets über die volle Länge.

Einsetzarbeiten sind nur unter Zuhilfenahme von geeigneten Längsanschlägen (X, Fig 15) zulässig.

Achtung: Hohe Werkstück-Rückschlaggefahr!

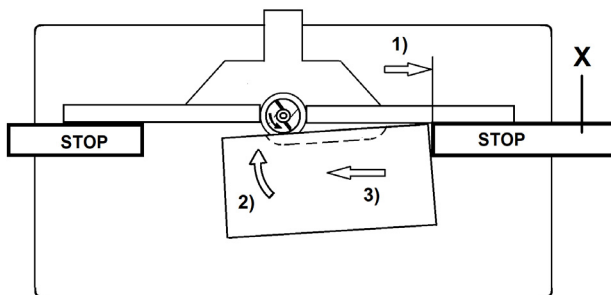


Fig 15

Bei komplizierten Formen, Schablonen zum exakten und sicheren Führen herstellen.

Zapfenschneiden und Schlitzen ist nicht zulässig (hohe Verletzungsgefahr).

Vor dem Bearbeiten des Werkstücks, an einem Abfallstück eine Probefräsung vornehmen.

Lange Werkstücke durch Rollenböcke oder Tischverlängerung abstützen.

Bearbeiten Sie immer nur ein Werkstück zugleich.

Bearbeiten Sie nur ein Werkstück, das sicher auf dem Tisch aufliegt und sicher geführt werden kann.

Arbeiten Sie niemals freihändig.

Bei der Bearbeitung von Werkstück-Stirnseiten verwenden Sie zur sicheren Führung den Gehrungsanschlag (A).

Fräsen geschweifener Konturen (Fig 16):

Montieren Sie eine geeignete Zuführleiste (S, Fig 16) am Tisch. Starten Sie die Bearbeitung sicher indem Sie das Werkstück an der Zuführleiste entlang führen, bis es am Kugellager des Fräasers anliegt.

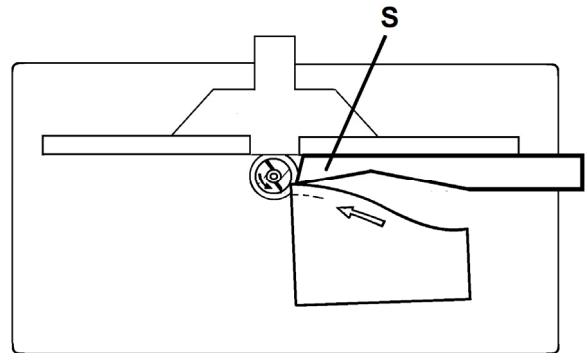


Fig 16

ACHTUNG:

Montieren Sie das Fräswerkzeug entsprechend der Bedienanleitung des Oberfräsmaschinen-Herstellers.

Die Maschine nur benutzen wenn das Fräswerkzeug sicher in der Oberfräse festgespannt ist.

Verwenden Sie keine stumpfen oder beschädigten Werkzeuge.

Die mitgelieferte Schutzeinrichtung muss immer verwendet werden.

Vor der Bearbeitung auf die richtige Einstellung der Schutzeinrichtung achten.

Beginnen Sie mit der Bearbeitung erst wenn die Oberfräse die volle Drehzahl erreicht hat.

Entfernen Sie Späne und Werkstückteile nur bei ausgeschalteter Maschine.

Achten Sie besonders auf die Vermeidung von Werkstück-Rückschlag.

Vor der Bearbeitung auf die richtige Einstellung des Fräsanschlags, des Werkstück-Niederhalters, der Druckkämme und des Seitendruckschuhs achten.

Benutzen Sie immer eine möglichst kleine Tischeinlage.

Eine verschlissene Tischeinlage sofort ersetzen.

7. Rüst- und Einstellarbeiten

Allgemeine Hinweise

Vor Rüst- und Einstellarbeiten muss die Maschine gegen Inbetriebnahme gesichert werden.

Netzstecker ziehen!

Kontrollieren Sie vor jedem Maschinenstart, dass alle Griffe und Hebel festgesetzt sind.

8. Wartung und Inspektion

Allgemeine Hinweise

Vor Wartungs- Reinigungs- und Reparaturarbeiten muss die Maschine gegen Inbetriebnahme gesichert werden.

Netzstecker ziehen !

Anschlüsse und Reparaturen der elektrischen Ausrüstung dürfen nur von einer Elektrofachkraft durchgeführt werden.

9. Störungsabhilfe

Motor stoppt oder startet nicht

*Kein Strom-

Zuleitung und Netzsicherung prüfen.

*Motor, Schalter oder Kabel defekt-
Elektrofachkraft kontaktieren.

*Schalter-Überlastschutz hat reagiert-
5 Minuten warten, dann Schutzschalter wieder eindrücken.

10. Umweltschutz

Schützen Sie die Umwelt!

Ihr Gerät enthält mehrere unterschiedliche,
wiederverwertbare Werkstoffe.

Bitte entsorgen Sie es nur an einer spezialisierten
Entsorgungsstelle.



Dieses Symbol verweist auf die getrennte Sammlung von
Elektro- und Elektronikgeräten, gemäß Forderung der WEEE-
Richtlinie (2012/19/EU). Diese Richtlinie ist nur innerhalb der
Europäischen Union wirksam.

11. Zubehör

Siehe JET-Preisliste.

Cher client,

Nous vous remercions pour la confiance que vous nous témoignez en acquérant cette nouvelle machine JET. Ce Manuel est destiné à l'exploitant et aux opérateurs d'une **Table de Toupie JET JRT-2**, afin d'attirer l'attention sur les consignes de sécurité et les procédures liées au fonctionnement et à la maintenance de la machine. Veuillez lire attentivement les instructions afin de bien comprendre les informations mentionnées dans le présent manuel d'utilisation et les documents annexes. Afin de garantir la longévité de votre machine, d'en tirer le meilleur rendement et de la faire fonctionner en toute sécurité, nous vous invitons à lire attentivement ce manuel dans son intégralité, et à suivre précisément les instructions indiquées.

Table des Matières

1. Déclaration de conformité

2. Prestations de garantie

3. Sécurité

Usage autorisé

Remarques générales concernant la sécurité

Autres dangers

4. Spécifications machine

Données techniques

Emission de bruit

Contenu de la livraison

Description de la machine

5. Transport et montage

Transport et installation

Montage

Raccordements

Raccordement de l'évacuation des poussières

Démarrage de la machine

6. Fonctionnement de la machine

7. Configuration et réglages

8. Maintenance et contrôle

9. Résolution des problèmes

10. Protection de l'environnement

11. Accessoires disponibles

1. Déclaration de conformité

Par le présent et sous notre responsabilité exclusive, nous déclarons que ce produit satisfait aux normes conformément aux lignes directrices indiquées page 2.

2. Prestations de garantie

TOOL FRANCE SARL garantit que le/les produit(s) fourni(s) est/sont exempt(s) de défauts matériels et de défauts de fabrication.

Cette garantie ne couvre pas les défauts, dommages et défaillances causés, directement ou indirectement, par l'utilisation incorrecte ou inadéquate, la négligence, les dommages accidentels, la réparation, la maintenance ou le nettoyage incorrects et l'usure normale.

Vous pouvez trouver de plus amples détails sur la garantie

dans les conditions générales (CG).

Les CG peuvent être envoyées sur demande par poste ou par e-mail .

TOOL FRANCE SARL se réserve le droit d'effectuer des changements sur le produit et les accessoires à tout moment.

3. Sécurité

3.1 Utilisation conforme

Cette scie convient au sciage du bois et des dérivés du bois ainsi qu'aux caoutchoucs d'une dureté similaire.

Le travail d'autres matériaux est interdit et ne peut être effectué que dans des cas spéciaux et après accord du fabricant de la machine.

La pièce doit se laisser poser et guider sans problème.

L'utilisation conforme implique le strict respect des instructions de service et de maintenance indiquées dans ce manuel.

La machine doit être utilisée exclusivement par des personnes familiarisées avec le fonctionnement, la maintenance et la remise en état, et qui sont informées des dangers correspondants.

L'âge requis par la loi est à respecter.

La machine ne doit être utilisée que si elle est en parfait état et munie de ses dispositifs de sécurité

Toutes les directives relatives à la prévention des accidents ainsi que les consignes de sécurité doivent être scrupuleusement respectées.

En cas d'utilisation non-conforme de la machine, le fabricant décline toute responsabilité, qui est en tel cas rejetée exclusivement sur l'utilisateur.

3.2 Consignes de sécurité

L'utilisation non-conforme d'une scie peut être très dangereuse. C'est pourquoi vous devez lire attentivement ce mode d'emploi avant de monter ou d'utiliser votre appareil.



Conservé à proximité de la machine tous les documents fournis avec l'outillage (dans une pochette en plastique, à

l'abri de la poussière, de l'huile et de l'humidité) et veiller à joindre cette documentation si vous cédez l'appareil.

Ne pas effectuer de modifications à la machine. Utiliser les accessoires recommandés, des accessoires incorrects peuvent être dangereux.

Chaque jour avant d'utiliser la machine, contrôler les dispositifs de protection et le fonctionnement impeccable.

En cas de défauts à la machine ou aux dispositifs de protection avertir les personnes compétentes et ne pas utiliser la machine. Déconnecter la machine du réseau.

Avant de mettre la machine en marche, retirer cravate, bagues, montre ou autres bijoux et retrousser les manches jusqu'aux coudes.

Enlever tous vêtements flottants et nouer les cheveux longs.

Porter des chaussures de sécurité, surtout pas de tenue de loisirs ou de sandales.

Portez toujours un équipement de travail conforme.

- Lunettes de protection
- Protections auditives
- Protections contre la poussière



Ne travailler sur la machine que si le protecteur de scie transparent est abaissé sur la pièce à usiner.

Pour le sciage de bois ronds s'assurer que la pièce ne pourra pas tourner.

Pour le sciage de pièces difficiles à manœuvrer, utiliser un support.

Ne pas usiner des pièces trop petites.

Bien tenir et guider les pièces pendant le travail.

Ne jamais scier en tenant la pièce seulement dans la main.

Ne pas enlever les copeaux et les pièces usinées avant que la machine ne soit à l'arrêt.

Ne jamais mettre la main sous la table de travail lorsque le moteur est en marche.



Placer la machine de sorte à laisser un espace suffisant pour la manœuvre et le guidage des pièces à usiner.

Veiller à un éclairage suffisant.

Placer la machine sur un sol stable et plat.



S'assurer que le câble d'alimentation ne gêne pas le travail ni ne risque de faire trébucher l'opérateur.

Conserver le sol autour de la machine propre, sans déchets, huile ou graisse.

Prêter grande attention à votre travail et rester concentré.

Eviter toute position corporelle anormale.

Veiller à une position stable et garder un bon équilibre à tout moment.

Ne pas travailler sous l'influence de drogues, d'alcool ou de médicaments.

Eloigner de la machine toutes personnes incompetentes, surtout les enfants.

Ne jamais mettre la main dans la machine pendant le travail.

Ne jamais laisser la machine en marche sans surveillance. Arrêter la machine avant de quitter la zone de travail.

Ne pas mettre la machine à proximité de liquides ou de gaz inflammables. respecter les consignes de lutte contre les incendies, par ex le lieu et l'utilisation des extincteurs.

Préserver la machine de l'humidité et ne jamais l'exposer à la pluie.

Utiliser un collecteur de poussières afin d'éviter une production de poussières trop élevée.

La poussière de bois est explosive et peut être nocive pour la santé.

Retirer les clous et autres corps étrangers de la pièce avant de débiter l'usinage.

Se tenir aux spécifications concernant la dimension maximale ou minimale de la pièce à usiner.

Ne pas faire forcer le moteur. Votre scie vous rendra de meilleurs services et donnera de meilleurs résultats, sans nuire à la sécurité, si elle est utilisée selon la fréquence pour laquelle elle a été conçue.

Ne pas enlever les copeaux et les pièces usinées avant que la machine ne soit à l'arrêt.

Ne jamais mettre la machine en service sans les dispositifs de protection – risque de blessures graves!

Tous travaux de branchement et de réparation sur l'installation électrique doivent être exécutés uniquement par un électricien qualifié.

Toujours dérouler entièrement les rallonges.

Remplacer immédiatement tout câble endommagé ou usé.

Ne jamais utiliser de machines électriques dont l'interrupteur marche/arrêt est défectueux.



Faire tous les travaux de réglage ou de maintenance seulement après avoir débranché la machine du réseau.

Remplacer immédiatement une lame endommagée.

3.3 Risques

Même en respectant les directives et les consignes de sécurité les risques suivants existent.

Danger de blessures par une lame en travaillant sans dispositif de protection.

Danger par rupture de la lame.

Danger de pièces éjectées.

Risque de nuisance par poussières de bois, copeaux et bruit.
Porter équipements de sécurité personnels tels que lunettes,
cache-visage pour travailler à la machine.
Utiliser un collecteur de poussières!

Danger par câble électrique endommagé, usé ou mal branché.

4. Spécifications

4.1 Indications techniques

Dimensions de table	610 x 360mm
Dimensions de table avec rallonges	1030 x 360mm
Guide de fraisage	540-610 x 75mm
Diam. buse d'aspiration D/d	100/57mm
Diam. max. d'outils	82,5mm

Dimensions (Lxlxh)	1030 x 360 x 615mm
Poids	23 kg

Interrupteur magnétique: voltage / fréquence	1~230V, PE, 50-60Hz
Puissance (P1)	max. 2700W

Raccordement (H07RN-F), L ≤ 25m	3x1,5 mm ²
Raccordement (H07RN-F), L > 25m	3x2,5 mm ²
Protection par fusible de l'installation	16A
Classe de protection	I

4.2 Emission de bruit

Elle dépend de la vitesse de rotation, de l'outil de fraisage et du mode d'usinage.

En ce qui concerne les risques connexes, voir les remarques du fabricant de la défonceuse.

4.3 Contenu de la livraison

2 Pieds
2 Rallonges de table
4 Supports
4 Plaques de table
Calibre à onglet
Guide latéral de pièce
Dispositif de maintien de pièce
Grille réglable
Plaque de fixation de la toupie
Adaptateur pour sortie poussières Ø 57/ Ø 100 mm
Manuel d'utilisation
Nomenclature des pièces de rechange

4.4 Description de la machine

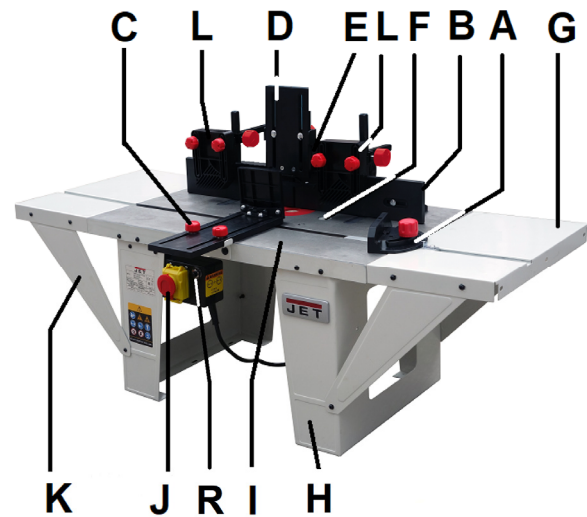


Fig 1

- A Calibre à onglet
- B Grille réglable
- C Guide latéral de pièce
- D Dispositif de maintien de pièce
- E Raccord de sortie des poussières
- F Orifice pour réglage de la hauteur de la toupie
- G Rallonges de table
- H Pieds
- I Table machine
- J Interrupteur magnétique Marche/Arrêt
- K Supports
- L Presseurs à peigne
- R Coupure de surcharge

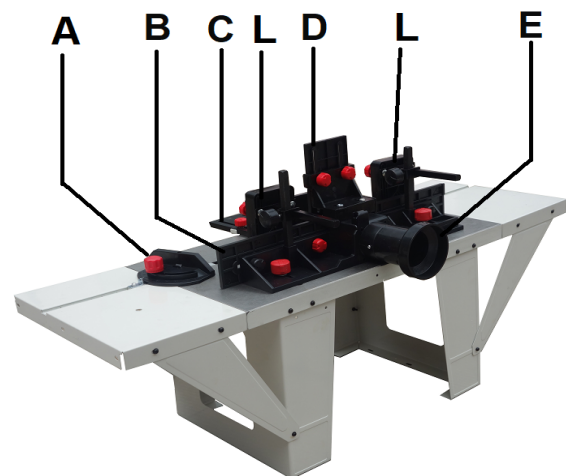


Fig 2

5. Transport et mise en exploitation

5.1 Transport et installation

L'outillage est conçu pour fonctionner en milieu fermé et doit être placé de façon stable sur une surface solide et uniforme.

L'outillage peut être fixé au sol.

5.2 Montage

Si vous constatez des dégradations dues au transport au moment du déballage, informez-en immédiatement votre fournisseur. Ne pas faire fonctionner la machine !

Débarrassez-vous de l'emballage de manière écologique.

Fixation des pieds :

Fixez les pieds (H, Fig 3) sur la table (I) avec les vis à tête cylindrique et les écrous (L) fournis.

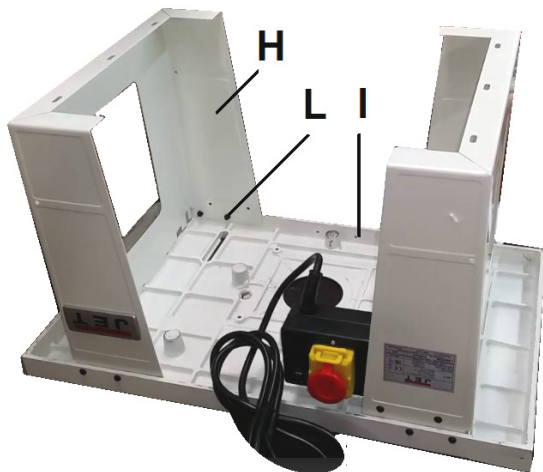


Fig 3

Fixation de l'interrupteur :

Fixez l'interrupteur (J, Fig 1) avec 2 vis.

Fixation des rallonges de table (Fig 4) :

Fixez les rallonges de table (G, Fig 1) et les supports (K) avec des vis à têtes cylindriques et des écrous.

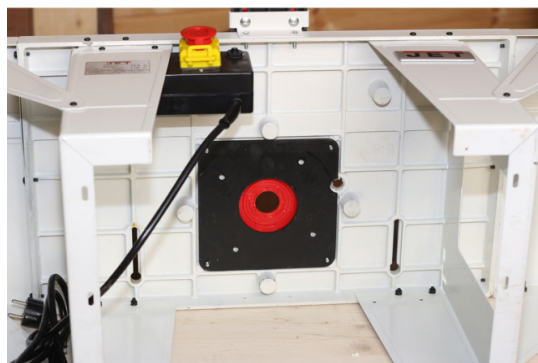


Fig 4

Fixation de la toupie (Fig 5, Fig 6) :

Fixez la toupie sur la plaque de fixation (T, Fig 5) avec les vis fournies (U).

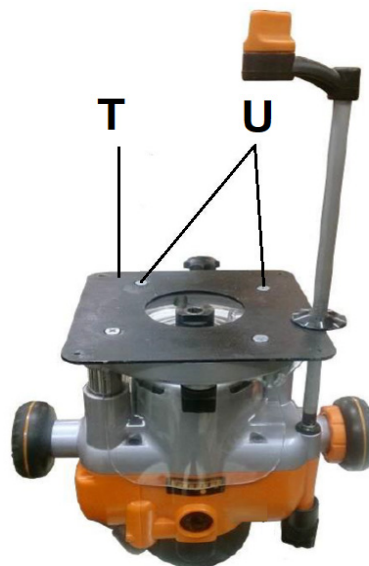


Fig 5

Les trous peuvent nécessiter d'être percés selon la configuration des trous de votre toupie.

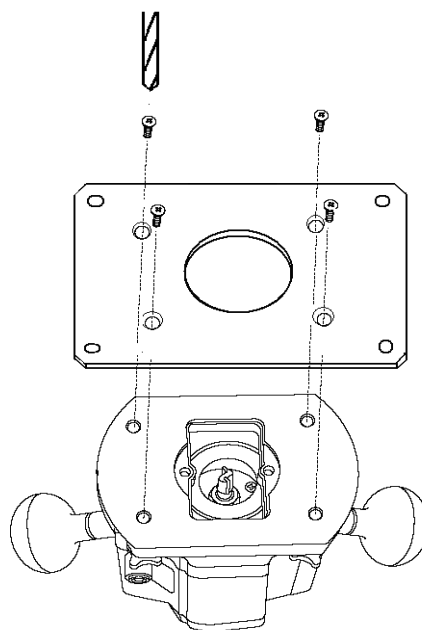


Fig 6

Fixez la toupie avec la plaque de fixation sur la table avec les vis fournies (Fig 7-1, Fig 7-2).



Fig 7-1

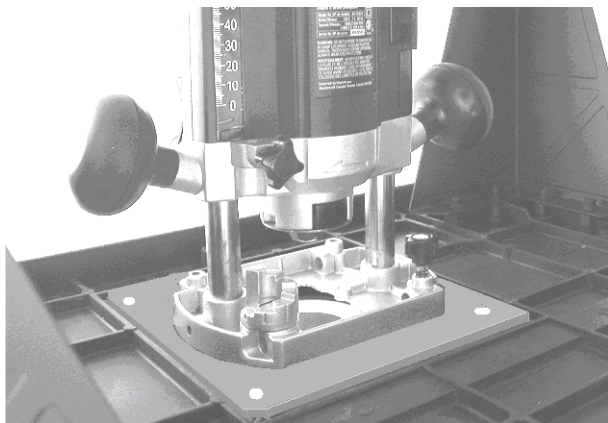


Fig 7-2

Fixation du guide latéral de pièce (Fig 8) :

Fixez le support (M) avec 2 vis.

Fixez le guide latéral de pièce (C) avec 2 boulons, rondelles et boutons.

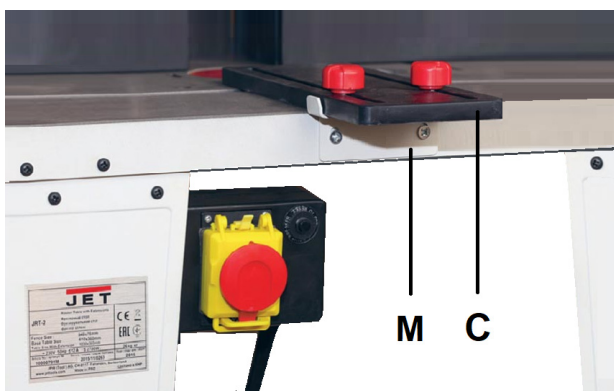


Fig 8

Montage de la butée de fraiseuse sur la table (Fig 9) :

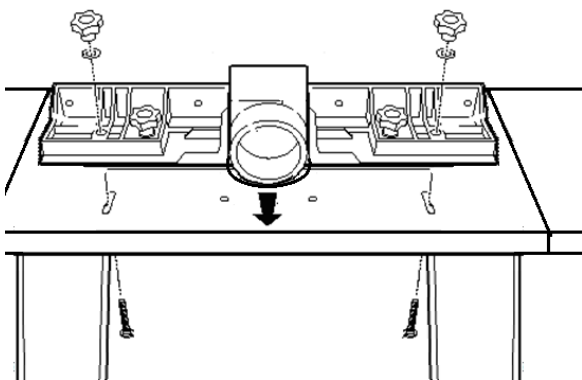


Fig 9

Fixation des supports de grille et le raccord de sortie des poussières (Fig. 10) :

Fixez les supports de grille avec 4 boulons, rondelles et écrous. Fixez le raccord de sortie des poussières (D).

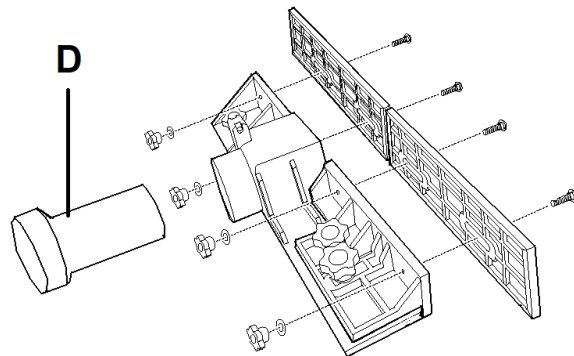


Fig 10

Fixation des dispositifs de maintien de pièce :

Fixez le support de maintien (N, Fig 11-1) avec deux vis et écrous (P).

Fixez le dispositif de maintien de pièce (D) avec deux boulons, rondelles et écrous (O).

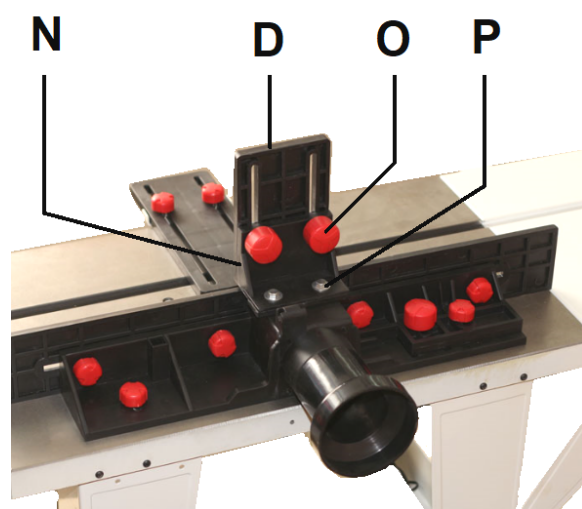


Fig 11-1

Fixez les 2 presseurs à peigne (L, Fig 11-2, Fig 11-3).

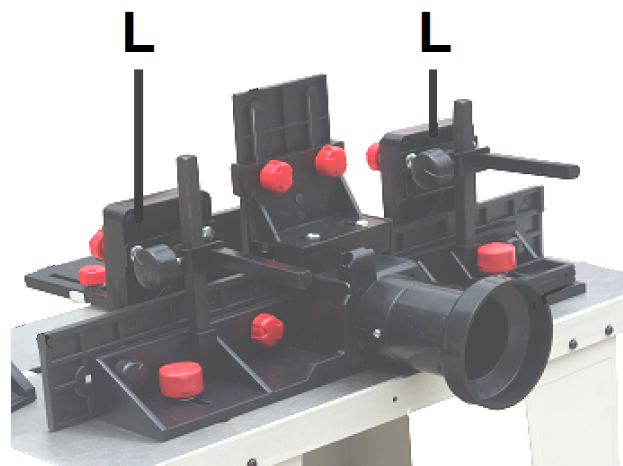


Fig 11-2

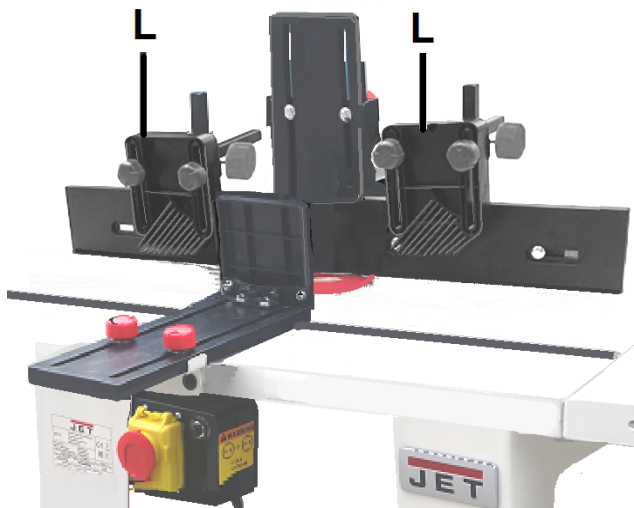


Fig 11-3

Fixation des plaques de table (Fig 11-4) :

Toujours utiliser la plaque de table la plus petite possible.

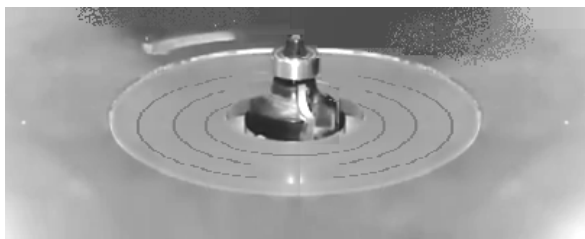


Fig 11-4

Montage du calibre à onglet (Fig. 12) :

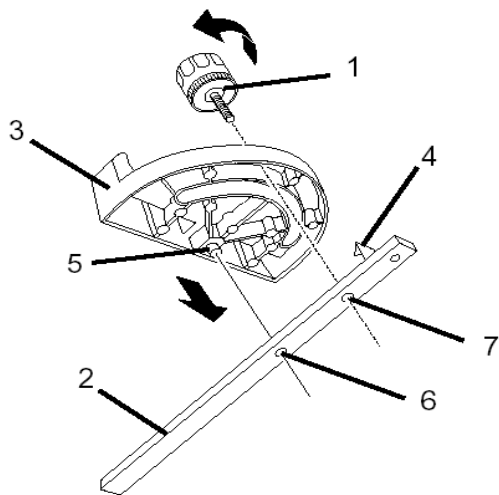


Fig 12

5.3 Raccordement de l'évacuation des poussières

Avant la mise en route, la machine doit être raccordée à un extracteur de poussières. L'aspiration doit être automatiquement activée dès que la toupie est mise en route.

5.4 Raccordement au secteur

Pour des raisons de sécurité, la toupie doit être raccordée à l'interrupteur (J, Fig 13-1). Ceci garantit un fonctionnement ON/OFF sûr et évite un redémarrage automatique en cas de coupure de courant.

Assurez-vous que l'interrupteur de la toupie est sur OFF avant de procéder au branchement.

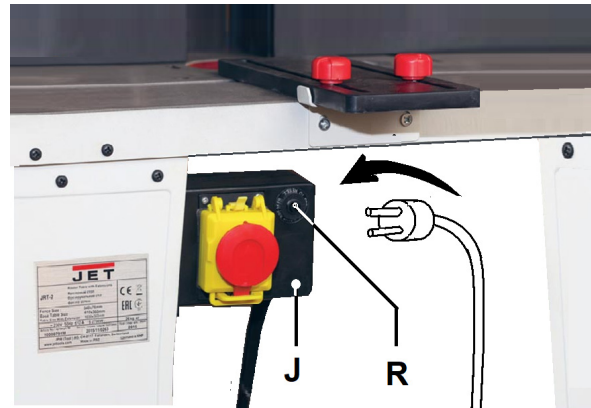


Fig 13-1



Fig 13-2

La puissance (puissance d'entrée P1) raccordée aux prises du boîtier de commutation ne doit pas excéder 2700 W au total.

En cas de surcharge de l'interrupteur, la coupure de surcharge (R) réagira. Après 5 minutes environ de refroidissement, la coupure de surcharge peut être réinitialisée.

Assurez-vous que le câble d'alimentation n'entrave pas le travail et que les personnes ne risquent pas de trébucher.

Le raccordement au secteur et les câbles prolongateurs utilisés doivent être conformes aux réglementations en vigueur.

La tension d'alimentation doit être conforme aux informations mentionnées sur la plaque d'identification de la machine.

Utilisez exclusivement des câbles de raccordement portant la mention H07RN-F.

Le raccordement au secteur doit comporter un fusible contre les surtensions de 16A.

Les raccordements et réparations de l'équipement électrique ne doivent être exécutés que par des électriciens qualifiés.

5.5 Mise en marche

Mettre la toupie en position ON.

Vous pouvez alors démarrer la machine avec le bouton vert ON de l'interrupteur (J, Fig 13). Le bouton rouge OFF de l'interrupteur arrête la machine.

Les deux prises sont commandées par l'interrupteur. Un aspirateur d'atelier raccordé à la seconde prise démarrera et s'arrêtera en même temps que la toupie.

6. Fonctionnement de la machine

Manipulation de la pièce :

Amener la pièce en ligne droite sur la table machine en maintenant vos doigts serrés, et en guidant la pièce avec la paume de vos mains

Ne jamais mettre vos mains en-dessous ou derrière la protection de la fraise. Toujours garder vos mains loin de la fraise en rotation.

Toujours amener la pièce dans le sens inverse à la rotation de la fraise (Fig 14).

Ajustez le dispositif de maintien de pièce (D) pour guider la pièce et éviter que la pièce ne se soulève.

Utilisez les 2 presseurs à peigne (L) pour un guidage supplémentaire de la pièce.

Ajuster le guide latéral de pièce (C) pour guider la pièce et la plaquer contre la grille.

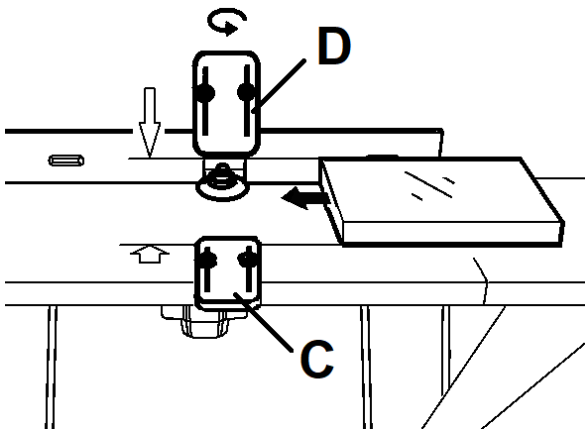


Fig 14

Pousser toute pièce étroite en fin d'usinage à l'aide d'un poussoir.

Les pièces dont la longueur est inférieure à 200 mm requièrent un outil d'aménage spécifique (un gabarit d'aménage par ex.).

Usinez toujours la pièce sur toute sa longueur.

L'usinage d'une rainure ne doit être exécuté qu'à l'aide de butées de pièce longitudinales adaptées (X, Fig 15) pour réduire le risque de « recul » de la pièce.

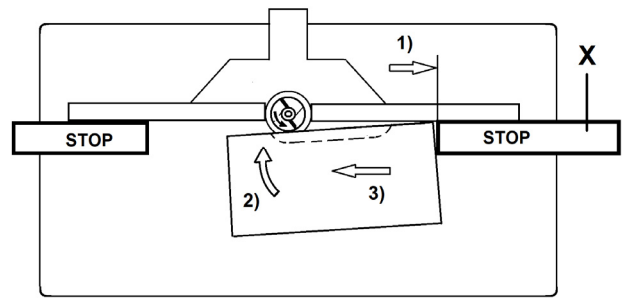


Fig 15

Pour travailler sur des formes complexes, des gabarits et guides doivent être réalisés pour guider la pièce correctement et en toute sécurité.

Les opérations d'assemblage à tenon et mortaise ne sont pas admises – risque élevé de blessures

Procédez à des essais de coupe sur une pièce rebutée avant l'exécution réelle d'une pièce. N'exécutez qu'une seule pièce à la fois.

Les pièces de grande longueur et largeur doivent être maintenues à l'aide de supports à rouleaux.

N'exécutez qu'une seule pièce à la fois.

N'exécutez aucune opération à la main.

Utilisez le calibre à onglet (A) pour guider la pièce lors de coupes transversales.

Usinage de pièces incurvées :

Monter un guide (S, Fig 16) adapté sur la table machine, afin de pouvoir guider la pièce jusqu'à ce qu'elle soit maintenue par le roulement à billes de la fraise de la toupie.

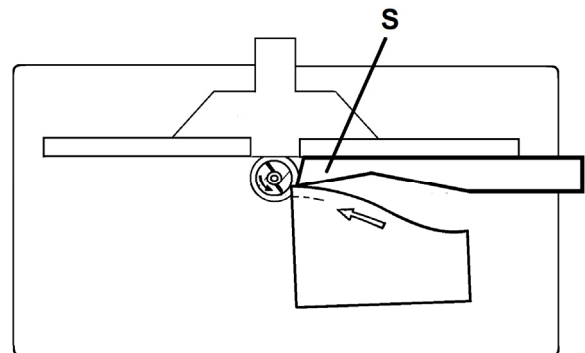


Fig 16

Attention :

Monter la fraise de la toupie conformément aux instructions du manuel de la toupie. Assurez-vous que la fraise est parfaitement positionnée dans le mandrin à pince avant de démarrer une coupe.

Utilisez toujours des outils coupants affûtés.

Utilisez toujours les caches de protection fournis.

Avant de démarrer l'usinage, assurez-vous que le cache de protection est correctement positionné.

La toupie doit atteindre sa vitesse de rotation maxi. avant de pouvoir commencer une coupe.

Retirez les pièces sectionnées et coincées uniquement une fois le moteur arrêté et la machine complètement immobilisée.

Veillez en particulier à réduire les risques de « recul ».

Assurez-vous que la fraise de la toupie, la grille, le dispositif de maintien de pièce et le guide latéral de pièce sont correctement positionnés avant de démarrer l'usinage.

Utilisez toujours la plaque de table la plus petite possible.
Remplacer les plaques de table usées.

7. Configuration et réglages

Remarque d'ordre général : Les opérations de configuration et de réglage ne doivent être réalisées que lorsque la machine est protégée contre un démarrage intempestif, donc en débranchant l'alimentation principale.

8. Maintenance et contrôle

Remarque d'ordre général : Les opérations de maintenance, de nettoyage et de réparation ne doivent être réalisées que lorsque la machine est protégée contre un démarrage intempestif, donc en débranchant l'alimentation principale.

Les travaux de réparation et de maintenance sur un circuit électrique sont à exécuter uniquement par un électricien qualifié.

9. Résolution des problèmes

Le moteur ne démarre pas

*Pas d'électricité –
contrôler l'alimentation et les fusibles.

*Interrupteur, moteur ou câble défectueux –
faire appel à un électricien.

*La coupure de surcharge de l'interrupteur a réagi –
attendre 5 minutes puis réinitialiser (bouton-poussoir).

10. Protection de l'environnement

Protégez l'environnement !

Votre appareil comprend plusieurs matières premières différentes et recyclables. Pour éliminer l'appareil usagé, veuillez l'apporter dans un centre spécialisé de recyclage des appareils électriques.



Ce symbole indique une collecte séparée des équipements électriques et électroniques conformément à la directive DEEE (2012/19/UE). Cette directive n'est efficace que dans l'Union européenne.

11. Accessoires disponibles

Veillez-vous reporter au Tarif JET.