

DUST COLLECTOR

Model 75

Instruction Manual & Parts List

M-0460200



POWERMATIC®

(800) 248-0144
www.powermatic.com

This manual has been prepared for the owner and operators of a Powermatic Model 75 Dust Collector. Its purpose, aside from machine operation, is to promote safety through the use of accepted correct operating and maintenance procedures. Completely read the safety and maintenance instructions before operating or servicing the machine. To obtain maximum life and efficiency from your dust collector and to aid in using the machine safely, read this manual thoroughly and follow all instructions carefully.

Warranty & Service

The JET Group warrants every product it sells. If one of our tools needs service or repair, one of our Authorized Repair Stations located throughout the United States can give you quick service.

In most cases, any one of these JET Group Repair Stations can authorize warranty repair, assist you in obtaining parts, or perform routine maintenance and major repair on your JET, Performax or Powermatic tools.

For the name of an Authorized Repair Station in your area, please call 1-800-274-6848.

More Information

Remember, the JET Group is consistently adding new products to the line. For complete, up-to-date product information, check with your local JET Group distributor.

JET Group Warranty

The JET Group (including Performax and Powermatic brands) makes every effort to assure that its products meet high quality and durability standards and warrants to the original retail consumer/purchaser of our products that each product be free from defects in materials and workmanship as follow: 1 YEAR LIMITED WARRANTY ON ALL PRODUCTS UNLESS SPECIFIED OTHERWISE. This Warranty does not apply to defects due directly or indirectly to misuse, abuse, negligence or accidents, normal wear-and-tear, repair or alterations outside our facilities, or to a lack of maintenance.

THE JET GROUP LIMITS ALL IMPLIED WARRANTIES TO THE PERIOD SPECIFIED ABOVE, FROM THE DATE THE PRODUCT WAS PURCHASED AT RETAIL. EXCEPT AS STATED HEREIN, ANY IMPLIED WARRANTIES OR MERCHANTABILITY AND FITNESS ARE EXCLUDED. SOME STATES DO NOT ALLOW LIMITATIONS ON HOW LONG THE IMPLIED WARRANTY LASTS, SO THE ABOVE LIMITATION MAY NOT APPLY TO YOU. THE JET GROUP SHALL IN NO EVENT BE LIABLE FOR DEATH, INJURIES TO PERSONS OR PROPERTY, OR FOR INCIDENTAL, CONTINGENT, SPECIAL, OR CONSEQUENTIAL DAMAGES ARISING FROM THE USE OF OUR PRODUCTS. SOME STATES DO NOT ALLOW THE EXCLUSION OR LIMITATION OF INCIDENTAL OR CONSEQUENTIAL DAMAGES, SO THE ABOVE LIMITATION OR EXCLUSION MAY NOT APPLY TO YOU.

To take advantage of this warranty, the product or part must be returned for examination, postage prepaid, to an Authorized Repair Station designated by our office. Proof of purchase date and an explanation of the complaint must accompany the merchandise. If our inspection discloses a defect, we will either repair or replace the product, or refund the purchase price if we cannot readily and quickly provide a repair or replacement, if you are willing to accept a refund. We will return repaired product or replacement at JET's expense, but if it is determined there is no defect, or that the defect resulted from causes not within the scope of JET's warranty, then the user must bear the cost of storing and returning the product. This warranty gives you specific legal rights; you may also have other rights which vary from state to state.

The JET Group sells through distributors only. Members of the JET Group reserve the right to effect at any time, without prior notice, those alterations to parts, fittings, and accessory equipment which they may deem necessary for any reason whatsoever.

TABLE OF CONTENTS

Safety Rules	4-5
Safety Decals	6
Specifications	7
Receiving	8
Installation and Assembly	8
Accessories Attachment: Dust Bags & Hose	8
Electrical Connection	8
Grounding Instructions	9
Extension Cord	9
Operation	9
Switch	9
Motor	9
Maintenance	10
Dust Bags	10
Trouble-shooting	11
Parts List & Exploded View	12-14

SAFETY RULES

Read the Manual. Always read the owner's manual carefully before attempting to use the machine. Know the limitations and hazards associated with its use.

Eyes. Always wear approved safety goggles, glasses, or a face shield when operating this machine.

Dress Code. Do not wear loose clothing, neckties, jewelry, or gloves that can get caught in moving parts. Confine long hair. Keep sleeves above the elbow.

Electrical Grounding. Your machine must be electrically grounded. If a cord and plug are used, make certain the grounding lug connects to a suitable ground. Follow the grounding procedure indicated by the National Electric Code.

Guards. Keep machine guards in place at all times when machine is in use. If removed for maintenance purposes, use extreme caution and replace the guards immediately.

Do not overreach. Maintain a balanced stance at all times so that you do not fall or lean against blades or other moving parts.

Power off. Make sure the machine is either unplugged or electrically disconnected and locked out when performing maintenance or service work.

Housekeeping. Before turning on machine, remove all extra equipment such as keys, wrenches, scrap, stock, and cleaning rags from the machine. Keep the area around machine clean and free of scrap material and sawdust to minimize the danger of slipping.

Power on. On machines equipped with a manual starter make sure the starter is in "OFF" position before connecting power to machine.

Use the right tool. Don't force a tool or attachment to do a job which it was not designed for.

Check damaged parts. Check for alignment of moving parts, binding of moving parts, breakage of parts, mounting, and any other condition that may affect the machine's operation. A guard or other part that is damaged should be properly repaired or replaced.

Turn power off. Never leave machine running unattended. Do not leave machine until it comes to a complete stop.

No horseplay. Give your work your undivided attention. Looking around, carrying on a conversation, and "horseplay" are careless acts that can result in serious injury.

Use recommended accessories; improper accessories may be hazardous.

Collect wood materials only. Metal shavings and dust can set wood dust on fire.

Do not expose the dust collector to moisture or wet surfaces. Use only indoors and on a dry surface to avoid the risk of electrical shock.

Do not use the dust collector around flammable products. Sparks may ignite the vapors.

Do not operate the dust collector without the hose connected to the suction chute. Hazardous moving parts are inside and could cause serious injury.

Drugs, alcohol, medication. Do not operate tool while under the influence of drugs, alcohol, or any medication.

Health Hazards. Some dust created by power sanding, sawing, grinding, drilling and other construction activities contains chemicals known to cause cancer, birth defects or other reproductive harm. Some examples of these chemicals are:

- * Lead from lead-based paint.

- * Crystalline silica from bricks and cement and other masonry products.

- * Arsenic and chromium from chemically-treated lumber.

Your risk from these exposures varies, depending on how often you do this type of work. To reduce your exposure to these chemicals, work in a well-ventilated area, and work with approved safety equipment, such as those dust masks that are specifically designed to filter out microscopic particles.

Familiarize yourself with the following safety notices used in this manual:



CAUTION: (This means that if precautions are not heeded, it may result in minor or moderate injury and/or possible machine damage)



WARNING: (This means that if precautions are not heeded, it could result in serious injury or possibly even death).

! SAFETY

Familiarize yourself with the location of these safety decals on your dust collector.

! WARNING

	<p>Metal shavings or dust can set LOW dust on fire. Collect metal materials only. Do not collect metal shavings or dust. See manual for details.</p>
	<p>Risk of electric shock. Use indoors in dry areas. Do not use outdoors or on wet surfaces.</p>
	<p>Sparks can ignite vapors from flammable products. Do not use around flammable products.</p>

If connected to a circuit protected by fuses, use time delay fuses with this appliance.

SAFETY RULES

- CAREFULLY READ INSTRUCTION MANUAL BEFORE OPERATING MACHINE.
- DO NOT OPERATE WITHOUT ALL GUARDS AND COVERS IN POSITION.
- BE SURE MACHINE IS ELECTRICALLY GROUNDED.
- REMOVE OR FASTEN LOOSE ARTICLES OF CLOTHING SUCH AS SCARVES, ETC. BEFORE WORK.
- REMOVE JEWELRY SUCH AS FINGER RINGS, WATCHES, BRACELETS, ETC.
- USE SAFETY FACE SHIELD, GOGGLES, OR GLASSES TO PROTECT EYES. USE OTHER PERSONAL SAFETY EQUIPMENT AS REQUIRED.
- STOP MACHINE BEFORE MAKING ADJUSTMENTS OR CLEANING CHIPS FROM WORK AREA.
- KEEP THE FLOOR AROUND THE MACHINE CLEAN AND FREE FROM SCRAP, DEBRIS, OIL OR GREASE TO MINIMIZE THE RISK OF SLIPPING.

! WARNING

Hazardous moving parts inside.
 Unplug before removing inlet guard.
 Attach inlet guard before plugging in.

SPECIFICATIONS: Model 66, 10" Table Saw

Motor	3 HP, 1 Ph, 230V
.....	3 HP, 3 Ph, 230/460V (prewired 230V)
CFM	1900
Capacity	10 cu. ft.
Upper dust bag	cloth
Lower dust bag	clear plastic
Switch	industrial push button
Height.....	90"
Inlet sizes.....	one-8", one-6", or three-4"
Casters.....	four swivel
Weight (gross)	154.32 lbs.

NOTE: The above specifications were current at the time this manual was published, but because of our policy of continuous improvement, Powermatic reserves the right to change specifications without notice and without incurring obligations.

RECEIVING

Remove all contents from the shipping carton and check each item against the packing list. Report any missing or damaged parts immediately to your shipping agent and distributor. Read the instruction manual thoroughly for assembly, alignment, maintenance and safety instructions.

Box contents:

1 impeller housing with motor	
2 housings	1 hose adapter
4 retainer straps	1 8"-6" adapter
1 support plate	4 clear (lower) bags
2 extension plates	2 cloth (upper) bags
4 support legs	2 upper hangers
2 support brackets	2 lower hangers
2 rubber gaskets	
1 hardware bag containing: 4 casters, 2 hanger brackets, nuts, screws, washers.	

INSTALLATION AND ASSEMBLY

Use the exploded view on page 14 to assist with the following instructions:

1. Turn the base (18) on edge and screw the four casters (21) into the threaded holes. Secure with nuts (40) and lock washers (45).
2. Attach the two end extension plates (19) with the hex head screws (32) and nuts (38) with lock washer (46) and flat washer (43).
3. Mount the support plate (20) to both sides of base using hex head screws (32) with flat washers (43), lock washers (46), and nuts (38).
4. Mount the two support brackets (15) to the base and support plate using the hex head screws (32) and flat washers (43). NOTE: Be careful that you do not strip the screws.
5. If shipped unassembled, mount the motor (22), shaft key (25), and gasket (26) to the underside of the impeller housing (1), and lock down on the topside with nuts (39), lock washers (44), and flat washers (42).
6. With the aid of an assistant, mount the impeller housing (with attached motor) to the support brackets (15) aligning the holes of the four housing bolts and securing with nuts (38), lock washers (46) and flat washers (43).

7. Screw the impeller (3) on to the threaded motor shaft and be sure to install the shaft key (25) at the same time. Tighten down with nut (37) and washer (41).

8. Install the housing gasket (4) and inlet cover (5) to the housing using the round head sheet metal screws (31).

9. Attach both side housing units (2) with rubber gaskets (30) to the impeller housing using the hex head screws (32), washers (43), and nuts (38).

10. Attach the four leg supports (14) first to the base (18) with hex head screws (32), washers (43), lock washers (46) and nuts (38). Next, attach the top section of the hanger brackets to the side housing units with hex head screws (32), washers (43), lock washers (46) and nuts (38).

NOTE: As shown in the exploded view, one bracket on either side is mounted to the side housing with a hanger bracket (11). Be sure to install hanger bracket during assembly at this time.

ACCESSORIES ATTACHMENT

Dust Bags & Hose

1. Screw upper hanger into lower hanger (9 & 10) and secure with large nut (38). Attach this assembly to the hanger bracket (11).
2. Install the lower (17) and upper (8) dust bags with the straps provided making sure they are securely fastened with no air leaks.



CAUTION: Retainer straps are rolled up under tension. Hold strap with hand and allow it to unroll gradually.

3. Choose the hose adapter (7 or 53) according to your particular requirements and attach the accessories as shown.

ELECTRICAL CONNECTION

The dust collector is equipped with a 3 HP, single phase, 230 volt or three phase, 230/460 volt motor. The unit is factory wired for 230 volts and equipped with a 20 amp cord and plug set. The 230 volt plug requires a receptacle as illustrated in Figure 1. The three phase motor may be reconnected for 460 volts by changing the connections as illustrated in the diagram motor wiring box. The three phase power cord is not equipped with a plug.

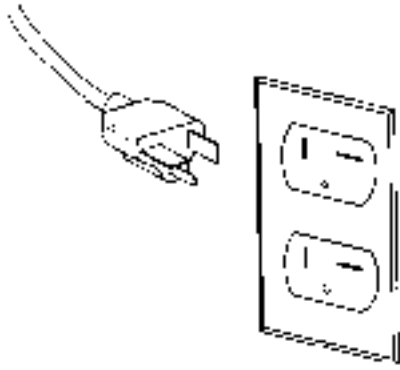


FIGURE 1



WARNING: The dust collector must be grounded to protect the operator from electric shock. Not all outlets are properly grounded. Have your outlets checked by a qualified electrician.

GROUNDING INSTRUCTIONS

All grounded, cord connected tools:

In the event of a malfunction or breakdown, grounding provides a path of least resistance for electric current in order to reduce the risk of electric shock.

This tool is equipped with an electric cord having an equipment-grounding conductor and a grounding plug. The plug must be plugged into a matching outlet that is properly installed and grounded in accordance with all local codes and ordinances. Do not modify the plug provided if it will not fit the outlet; have the proper outlet installed by a qualified electrician. Improper connection of the equipment-grounding conductor can result in risk of electric shock. The conductor with insulation having an outer surface that is green with or without yellow stripes is the equipment-grounding conductor. If repair or replacement of the electric cord or plug is necessary, do not connect the equipment grounding conductor to a live terminal.

Check with a qualified electrician or service personnel if the grounding instructions are not completely understood, or if in doubt as to whether the tool is properly grounded. Use only 3-wire extension cords that have 3-prong grounding plugs and 3-pole receptacles that accept the tools' plug. Repair or replace any damaged or worn cord immediately.

As the three phase 230/460 volt motor does not have a plug, please carefully follow the rotation direction of impeller when connecting to the power source.

EXTENSION CORD

Use only a 3-wire extension cord with a 3-prong grounding plug and a 3-pole receptacle as shown in Figure 1. Replace a damaged or worn cord immediately. The use of an extension cord, if required, results in a certain loss of power. The recommended wire gage is no. 10.

OPERATION

SWITCH

The switch box is an industrial type switch with standard "start" and "stop" push buttons, and is attached to the impeller housing unit.

MOTOR

Motors used in a woodworking environment are constantly exposed to sawdust and wood chips. The operator should make frequent inspections of the motor and remove, or vacuum, any accumulation of foreign material in order to maintain normal motor ventilation.

Remove dust from the motor with a low pressure air hose.



CAUTION: The operator should follow all safety procedures regarding dust particles and always wear safety goggles and a filter mask during any cleaning operation.

MAINTENANCE



WARNING: Never perform maintenance on this machine before turning switch to "stop" and removing plug from power source.

DUST BAGS

Each operator has his own particular application of woodworking machinery. As such, a maintenance schedule for the dust collector must be performed on a regular and timely basis. To remove dust and chips:

1. Disconnect machine from its power source.
2. Shake the upper dust bag and allow the fine dust to settle down into the lower chip bag.
3. Release the clamp around upper bag, remove the upper bag and deposit all remaining dust into a fire-proof metal container.
4. Release clamp around lower chip bag, remove the chip bag and deposit chips and dust into a fire-proof metal container.
5. Reconnect both sets of dust bags making sure the clamps firmly secure the bags to the upper and lower chute extensions.

Trouble-Shooting for Model 75 Dust Collector

PROBLEM	POSSIBLE CAUSE	SOLUTION
Motor will not run.	<ol style="list-style-type: none"> 1. Defective cord, plug, switch, and/or motor. 2. Blown fuse or circuit breaker tripped. 	<ol style="list-style-type: none"> 1. Consult service. Any attempt to repair this motor may create a hazard unless repair is done by a qualified service technician. 2. Check for blown fuses and replace with fuse of proper capacity or re-set circuit breaker.
Excessive sawdust in air.	<ol style="list-style-type: none"> 1. Loose clamps; dust bag and/or chip collection bag not secure. 	<ol style="list-style-type: none"> 1. Tighten clamps.
Excessive impeller noise.	<ol style="list-style-type: none"> 1. Picked up large chips and debris. 2. Loose impeller. 3. Rubbing impeller. 	<ol style="list-style-type: none"> 1. Stop the machine to allow material to fall to the bottom of inlet pipe. Remove debris. 2. Unplug unit prior to disassembly due to hazardous moving parts inside. Use a piece of wood to free impeller. Attach to inlet guard before plugging in. 3. Consult service to repair loose or rubbing impeller. A repair to the housing may create a hazard unless it is done by a qualified service technician.
Excessive noise.	<ol style="list-style-type: none"> 1. Motor. 2. Overloaded circuit. 	<ol style="list-style-type: none"> 1. Have motor check by a qualified service technician. 2. Do not overload circuit when using dust collection system with other appliances.
Motor fails to develop full power.	<ol style="list-style-type: none"> 3. Undersize extension cord or extension cord too long. 	<ol style="list-style-type: none"> 3. Increase the wire sizes on extension cord, reduce length of extension cord or use larger wire sizes. Request a power check from the power company.
Motor starts slowly or fails to come up to full speed.	<ol style="list-style-type: none"> 1. Low voltage. 2. Windings burned out or open. 3. Starting switch will not operate. (Switch contacts not working properly.) 	<ol style="list-style-type: none"> 1. Request voltage check from power company. 2. Have motor repaired or replaced by a qualified service technician. 3. Replace capacitor by a qualified service technician.
Motor overheats.	<ol style="list-style-type: none"> 1. Motor overloaded. 2. Improper cooling. (Air circulation restricted through motor due to sawdust accumulation inside of motor. 	<ol style="list-style-type: none"> 1 & 2. Clean out sawdust and provide normal air circulation through motor.
Motor stalls.	<ol style="list-style-type: none"> 1. Low voltage does not permit motor to reach operating speed. 2. Fuses or circuit breakers lack sufficient capacity. 	<ol style="list-style-type: none"> 1. Request voltage check from power company. 2. Install proper size fuses or circuit breakers.
Frequent opening of fuses or circuit breakers.	<ol style="list-style-type: none"> 1. Motor overloaded. 2. Fuses or circuit breakers lack sufficient capacity. 	<ol style="list-style-type: none"> 1 & 2. Install proper size fuses or circuit breakers.

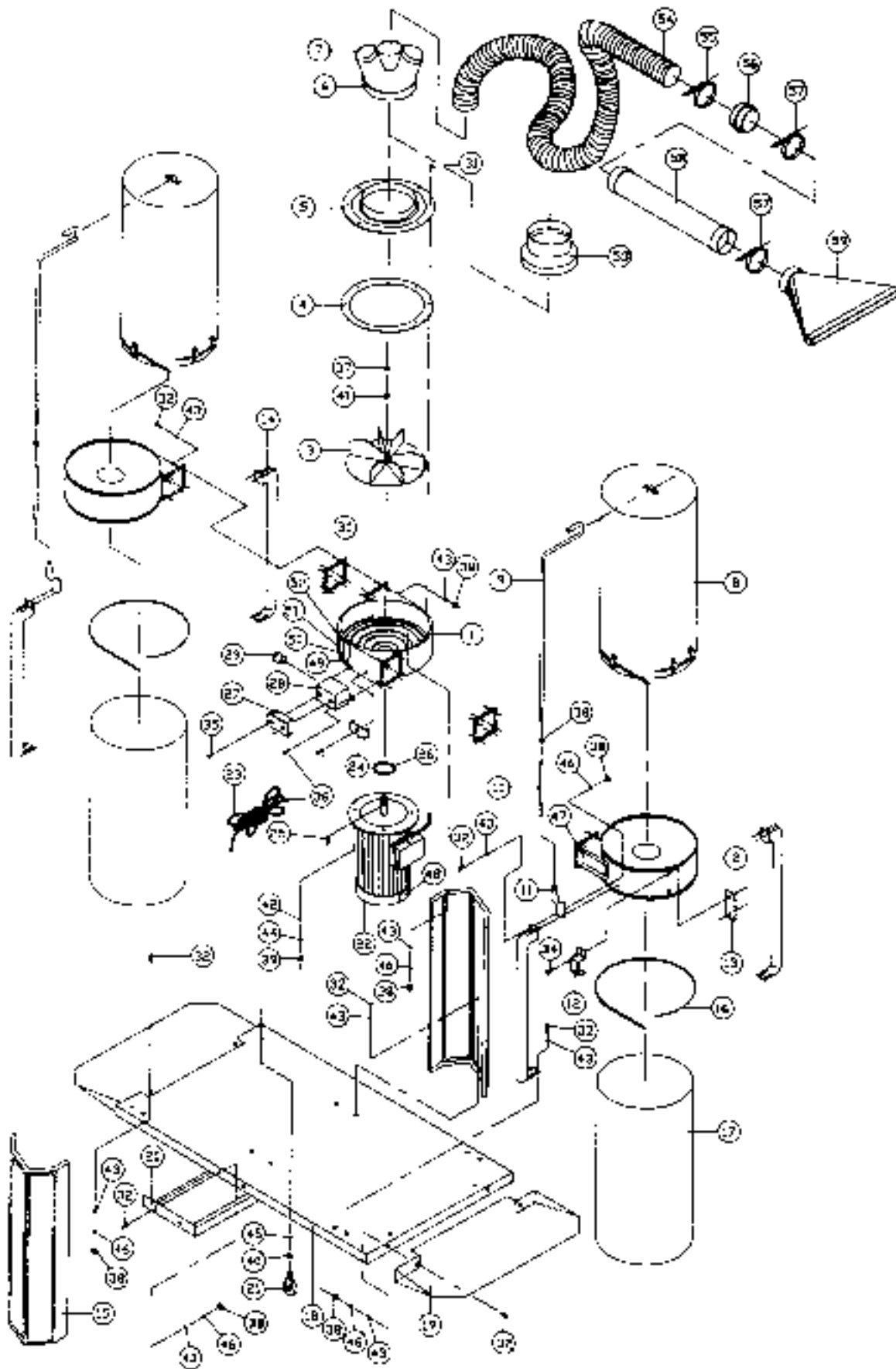
Parts List: Model 75 Dust Collector

No.	Part No.	Description	Quantity
1	6286605	Impeller Housing	1
2	6286606	Housing	2
3	6286607	Impeller	1
4	6286608	Gasket	1
5	6286609	Inlet Cover	1
6	6286610	Adapter, 8" - (3)4"	1
7	6286611	Adapter Cap	2
8	6286600	Upper Bag	2
9	6286619	Upper Hanger	2
10	6286620	Lower Hanger	2
11	6286621	Hanger Bracket	2
12	6286622	Handle	4
13	6286623	Support Block	4
14	6286624	Support Leg	4
15	6286625	Support Bracket	2
16	6286626	Retainer Strap	4
17	6286601	Lower Bag	2
18	6286627	Base	1
19	6286628	Extension Plate	2
20	6286629	Support Plate	1
21	6286656	Pivoting Caster	4
22	6286603	Motor, 3 HP, 1 Ph, 230V	1
	6286604	Motor, 3 HP, 3 Ph, 230/460V	1
23	6286631	Power Cord	1
24	6286632	Power Cord Holder	1
25	6286633	Motor Shaft Key	1
26	6286634	Motor Gasket	1
27	6286635	Control	1
28	6286636	Control Box	1
29	6286637	Strain Relief	2
30	6286638	Rubber Gasket	2
31	6286639	Round Head Screw, M6 x 1 x 12	8
32	6286660	Hex Head Screw, M8 x 1.25 x 20	48
34	6286642	Socket Head Screw, M8 x 1.25 x 12	8
35	6286643	Self Tapping Screw, M4 x 0.7 x 10	2
36	6286644	Round Head Screw, M5 x 0.8 x 12	3
37	6286645	Nut, 5/8 x 18 UNF	1
38	6286445	Nut, M8 x 1.25	42
39	6286647	Nut, M10 x 1.5	4
40	6286446	Nut, 3/8 x 16 UNF	4
41	6286662	Flat Washer, M16	1
42	6286663	Flat Washer, M10	4
43	6286664	Flat Washer, M8	76
44	6286665	Lock Washer, M8	16
46	6286666	Lock Washer, M10	8
47	6286654	Plate "Better by Design"	1
48	6286655	Motor Plate	1
49	3330283	Safety Rules Decal	1
50	6286657	Caution Decal	1
51	6286658	Warning Label	1
52	3312334	Serial Plate	1
53	6286618	Adapter Attachment Kit, 8" - 6" (Items 54 thru 59)	1

Parts List: Model 75 Dust Collector

No.	Part No.	Description	Quantity
54	6286612	Hose, 20' x 4"	1
55	6286615	Clamp, 4"	1
56	6286614	Adapter, 4" - 4"	1
57	6286613	Stainless Clamp, 4"	2
58	6286616	Plastic Tube, 3'L x 4"	1
59	6286617	Vacuum Head	1
60	6286630	Hardware	1
61	M-0460200	Manual	1

Model 75 Dust Collector



To order parts or reach our service department, please call our toll-free number between 8:00 a.m. and 4:30 p.m. (CST), Monday through Friday. Having the Model Number and Serial Number of your machine available when you call will allow us to serve you quickly and accurately. Locating the EDP number of the part(s) required from your parts manual will also expedite your order.

Phone No.: (800) 248-0144

Fax No. (800) 274-6840

If you are calling from Canada, please call 800-238-4746

E-mail: powermatic@powermatic.com

Website: www.powermatic.com

POWERMATIC®

JET Equipment & Tools
427 Sanford Road
LaVergne, TN 37086
Phone: (800) 248-0144
Fax: (800) 274-6840
E-mail: powermatic@powermatic.com
Website: www.powermatic.com