

# **JET**

**GH-2640ZH-  
GH-26120ZH**

**METALWORKING LATHE**

**400/60/3**

**PARTS LIST  
ERSATZTEILLISTE  
LISTE DE PIECES**

**SITACO SAUDI INDUSTRIAL TOOL CORP.  
MADINAH ROAD, KILO 9  
P. O. BOX 11429  
SA-21453 JEDDAH  
SAUDI ARABIA**



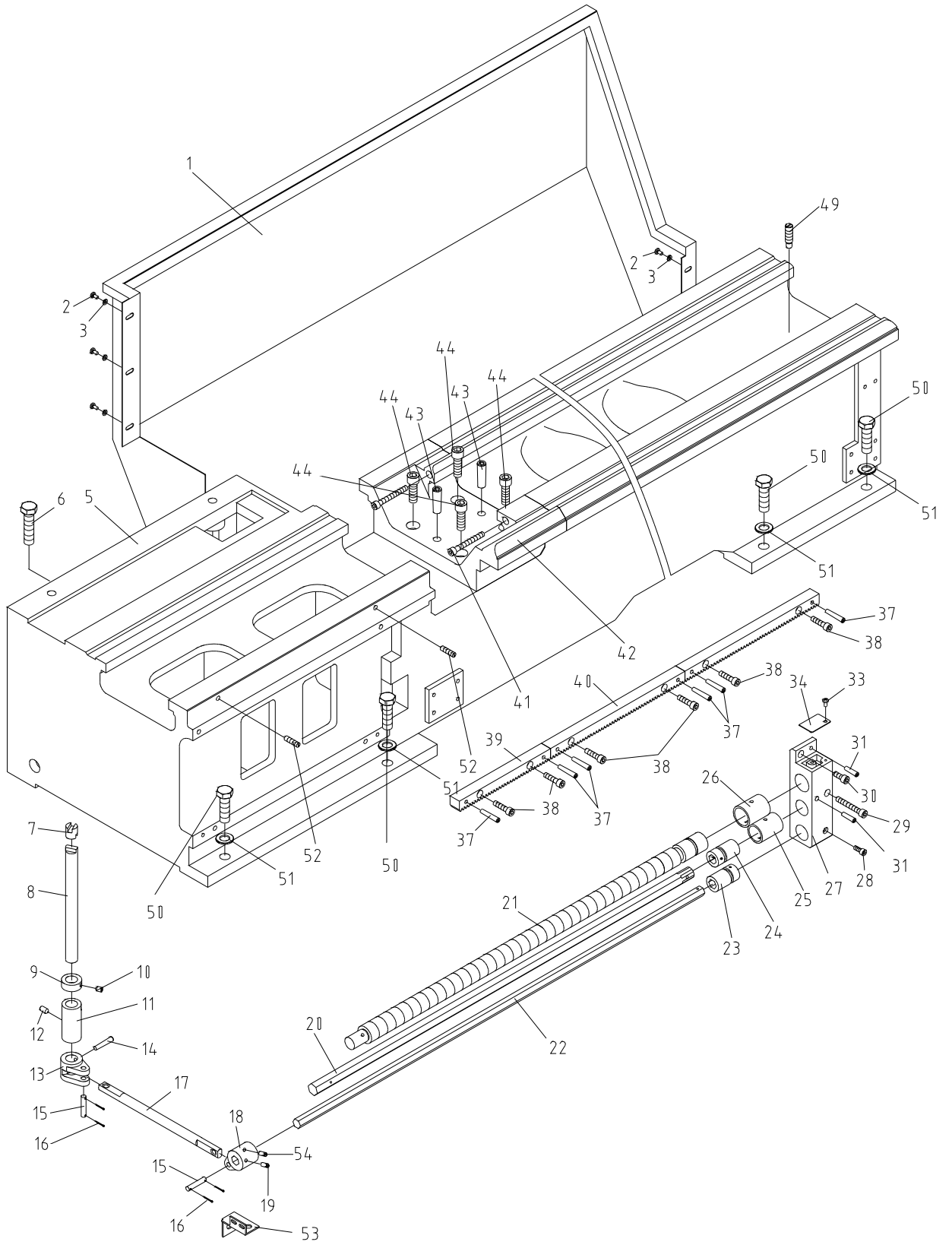
<b>Table of Contents</b>	<b>Page</b>
Table of Contents .....	2
Bed Assembly I .....	3-5
Bed Assembly II .....	6-7
Headstock Assembly I .....	8-10
Headstock Assembly II .....	11-13
Headstock Assembly III .....	14-15
Headstock Assembly IV .....	16-18
Headstock Assembly V .....	19-21
Gear Assembly .....	22-23
Gear Box Assembly I .....	24-25
Gear Box Assembly II .....	26-28
Gear Box Assembly III .....	29-31
Micro Carriage Stop Assembly .....	32-33
Brake Assembly .....	34-35
Carriage Assembly I .....	36-38
Carriage Assembly II .....	39-41
Apron Assembly I .....	42-45
Apron Assembly II .....	46-48
Apron Assembly III .....	49-51
Tailstock Assembly I .....	52-53
Tailstock Assembly II .....	54-55
Electrical Components .....	56-58
Chuck Guard Assembly .....	59
Tool Post Protection Device .....	60
Lead Screw Guard Assembly .....	61-62
Lead Screw Guard Assembly For GH-26120ZH .....	63-64
Steady Rest Assembly .....	65-67
Follow Rest Assembly .....	68-69
Coolant & Work Light Assembly .....	70-71
Micro Carriage Stop .....	72

## Bed Assembly I

Index No.	Part No.	Description	Size	Qty.
1	C6266C12701A	Splash Guard (For GH-2640ZH only)	1000	1
	C6266C12701B	Splash Guard (For GH-2660ZH only)	1500	1
	C6266C12701C	Splash Guard (For GH-2680ZH only)	2000	1
	C6266C12701D	Splash Guard (For GH-26120ZH only)	3000	1
2	GB70	Hex Socket Cap Screw	M6x8	8
3	GB97	Flat Washer	6	8
5	C6266C01101A	Bed (For GH-2640ZH only)	1000	1
	C6266C01101B	Bed (For GH-2660ZH only)	1500	1
	C6266C01101C	Bed (For GH-2680ZH only)	2000	1
	C6266C01101D	Bed (For GH-26120ZH only)	3000	1
6	GB5782	Hex Cap Bolt	M20x60	4
7	C6140W01705	Crossed Head		1
8	C6140W01706	Screw		1
9	C6140W01707	Sleeve		1
10	GB71	Slotted Set Screw	M10x12	1
11	C6140W01709	Sleeve		1
12	GB71	Slotted Set Screw	M10x20	1
13	C6140W01104	Fork		1
14	GB118	Taper Pin	8x50	1
15	GB71	Slotted Set Screw	M10x14	2
16	GB91	Split Pin	2x16	4
17	C6140W01711	Pulling Rod		1
18	C6266C01106	Sleeve		1
19	GB71	Slotted Set Screw	M8x16	1
20	C6140W01703	Hex Feed Rod (For GH-2640ZH only)		1
	C6266C01703B	Hex Feed Rod (For GH-2660ZH only)		1
	C6266C01703C	Hex Feed Rod (For GH-2680ZH only)		1
	C6266C01703D	Hex Feed Rod (For GH-26120ZH only)		1
21	C6140W01702	Lead Screw (For GH-2640ZH only)		1
	C6266C01702B	Lead Screw (For GH-2660ZH only)		1
	C6266C01702C	Lead Screw (For GH-2680ZH only)		1
	C6266C01702D	Lead Screw (For GH-26120ZH only)		1
22	C6140W01705	Hex Control Rod (For GH-2640ZH only)		1
	C6266C01705B	Hex Control Rod (For GH-2660ZH only)		1
	C6266C01705C	Hex Control Rod (For GH-2680ZH only)		1
	C6266C01705D	Hex Control Rod (For GH-26120ZH only)		1
23	C6140W01724	Sleeve		1
24	C6140W01725	Sleeve		1
25	C6140W01302	Copper Sleeve		1
26	C6140W01301	Copper Sleeve		1
27	C6140W01109	Bracket		1
28	GB70	Hex Socket Cap Screw	M8x20	1
29	GB70	Hex Socket Cap Screw	M10x70	1
30	GB70	Hex Socket Cap Screw	M10x25	1
31	GB118	Taper Pin	8x35	2
33	GB70	Hex Socket Cap Screw	M6x8	1
34	C6140W01726	Cover		1
35	C6140W01732	Cover		1
36	GB818	Cross Recessed Pan Head Screws	M6x8	2
37	GB118	Taper Pin	8x45	6

38.....	GB70.....	Hex Socket Cap Screw.....	M10x35.....	6
39.....	C6266C01704.....	Rack (For GH-2640ZH only).....		2
	C6266C01704.....	Rack (For GH-2660ZH only).....		1
	C6266C01704.....	Rack (For GH-2680ZH only).....		1
	C6266C01704.....	Rack (For GH-26120ZH only).....		1
40.....	C6140W01719.....	Rack (For GH-2640ZH only).....		2
	C6140W01719.....	Rack (For GH-2660ZH only).....		4
	C6140W01719.....	Rack (For GH-2680ZH only).....		5
	C6140W01719.....	Rack (For GH-26120ZH only).....		8
41.....	GB70.....	Hex Socket Cap Screw.....	M10x85.....	2
42.....	C6266C01103.....	Gap.....		1
43.....	GB118.....	Taper Pin.....	16x60.....	2
44.....	GB70.....	Hex Socket Cap Screw.....	M16x50.....	4
49.....	C6140W01733.....	Pin.....		1
50.....	GB5782.....	Hex Bolt.....	M20x80.....	4
51.....	GB97.2.....	Flat Washer.....	20.....	8
52.....	GB85.....	Set Screw.....	M12x75.....	2
53.....	C6266C18716.....	Bracket.....		1
54.....	C6266C01718.....	Nut.....		1

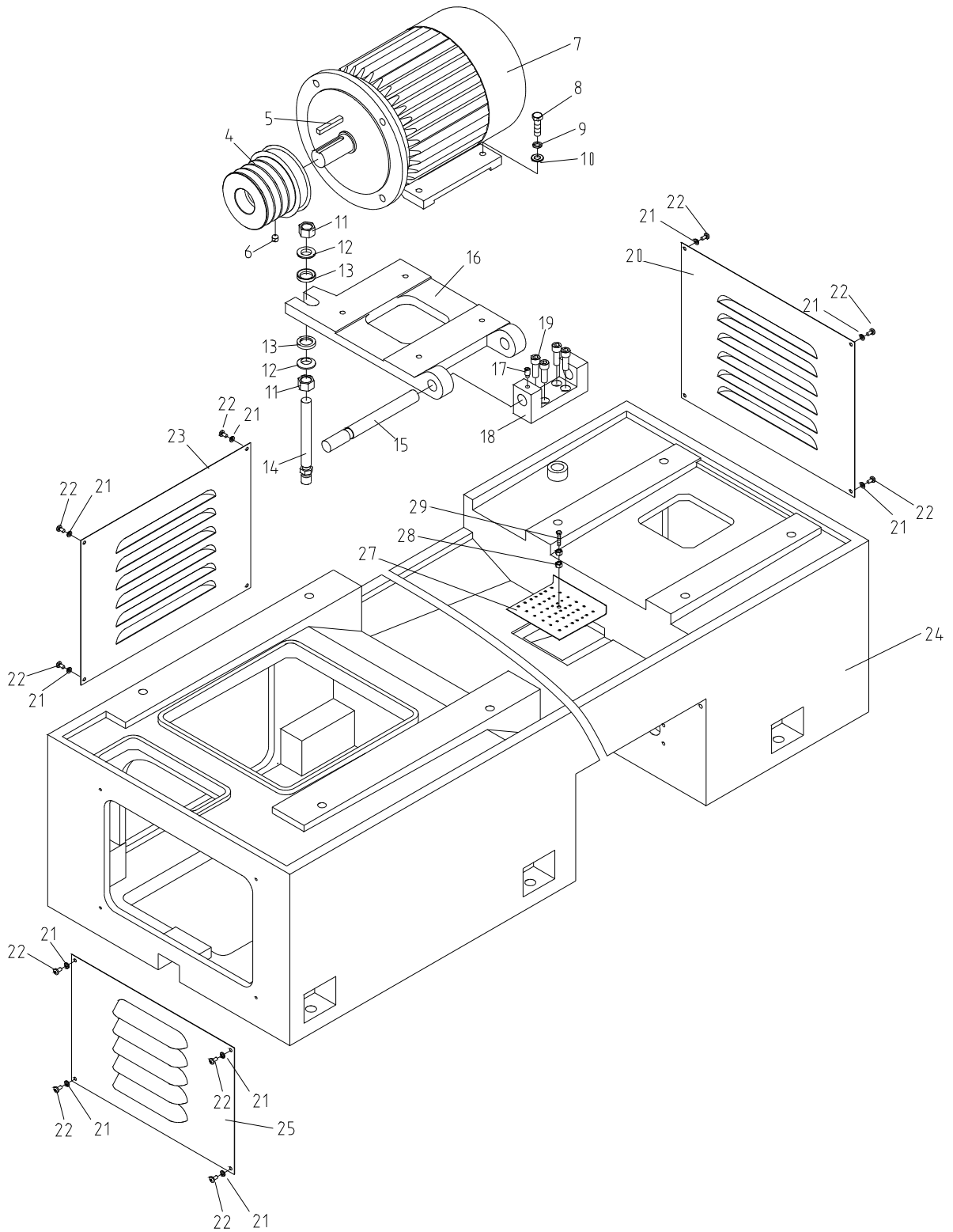
# Bed Assembly I



## Bed Assembly II

Index	Part	Description	Size	Qty.
No.	No.			
4	C6266C01105	Pulley		1
5	GB1096	Flat Key		1
6	GB71	Slotted Set Screw	M12x16	1
7	Y132M-4TH/B3	Motor	7.5W,60Hz	1
8	GB5782	Hex Bolt	M10x40	4
9	GB93	Spring Washer	10	4
10	GB97.2	Flat Washer	10	4
11	GB6170	Hex Nut	M20	2
12	GB850	Taper Waher		2
13	GB849	Ball Washer		2
14	C6140W01714	Double Bolt		1
15	C6266C01711	Shaft		1
16	C6266C01104	Motor Mounting Plate		1
17	GB75	Slotted Cylindrical End Set Screw	M10x14	1
18	C6266C01107	Support		1
19	GB70	Hex Socket Cap Screw	M12x35	4
20	C6266C01701	Cover		1
21	GB97	Flat Washer	6	12
22	GB818	Cross Recessed Pan Head Screws	M6x5	12
23	C6266C01710	Cover		1
24	C6266C01102A	Bed Stand (For GH-2640ZH only)		1
	C6266C01102B	Bed Stand (For GH-2660ZH only)		1
	C6266C01102C	Bed Stand (For GH-2680ZH only)		1
	C6266C01108	Front Bed Stand (For GH-26120ZH only not show)		1
	C6266C01109	Middle Bed Stand (For GH-26120ZH only not show )		1
	C6266C01110	Behind Bed Stand (For GH-26120ZH only not show )		1
25	C6266C01707	Cover		1
27	1440R01705	Water Leaking Chip Guard		1
28	GB41	Hex Nut	M6	1
29	GB5782	Hexagon Head Bolt	M6×20	1

# Bed Assembly II



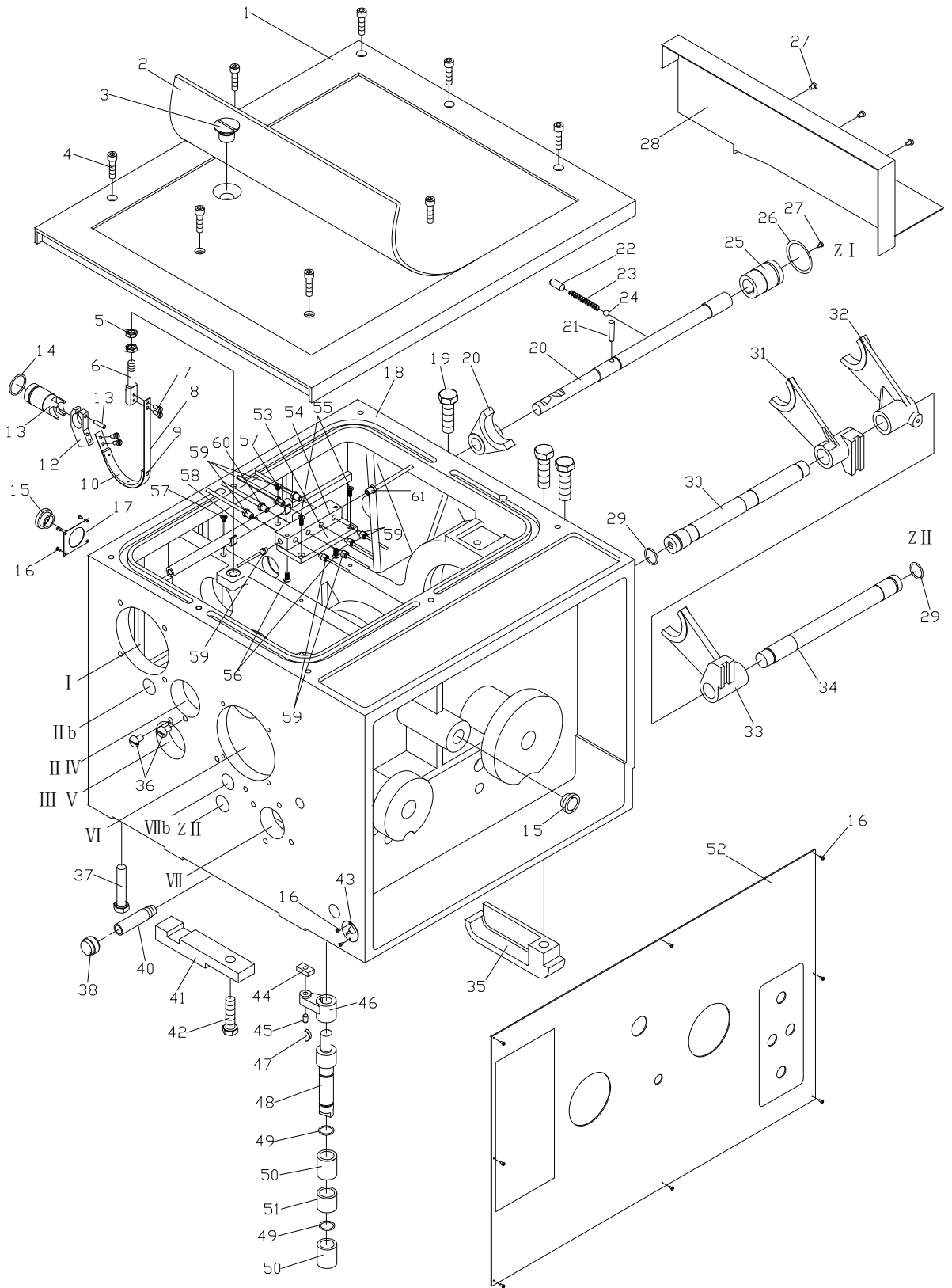
## Headstock Assembly I

Index No.	Part No.	Description	Size	Qty.
1	C6266C02502	Headstock Cover		1
2	C6266C02501	Rubber Gasket		1
3	C6140W02835	Sunk Screw		1
4	GB70	Hex Socket Cap Screw	M10x35	8
5	GB6172	Hex Flat Screw	M12	2
6	C6266C02768	Braking Belt Support		1
7	GB65	Slotted Socket Cap Screw	M6x10	4
8	C6266C02767	Braking Belt		1
9	GB867	Half Circle Rivet	3x10	3
10	C6266C02503	Braking Friction Disk		1
11	GB119	Pin	6n6x14	1
12	C6266C02770	Braking Belt Support		1
13	C6266C02769	Shaft		1
14	GB3452.1	Ring Seal	30x2.65	1
15	R51-2	Oil Glass		2
16	GB818	Cross Recessed Pen Head Screw	M3x4	7
17	C6266C02306	Sign Plate		1
18	C6266C02101	Headstock		1
19	GB5782	Hexagon Head Bolt	M20x75	3
20	C6266C02125	Fork		1
21	GB118	Pin	8x40	1
22	GB71	Slotted Set Screw	M12x30	1
23	Q81-1	Spring	1.6x8x70	1
24	GB308	Boll	10	1
25	C6140W02105	Bushing		1
26	GB3452.1	Ring Seal	38.7x3.55	1
27	GB818	Cross Recessed Pan Head Screws	M6x8	1
28	C6266C02757	Cover		1
29	GB3452.1	Ring Seal	26.5x2.65	2
30	C6266C02761	Control Shaft		1
31	C6266C02128	Fork		1
32	C6266C02124	Fork		1
33	C6266C02120	Fork		1
34	C6266C02762	Control Shaft		1
35	C6140W02141	Front Cover		1
36	C6140W02711	Screw		3
37	GB5782	Hexagon Head Bolt	M16x80	2
38	C6140W02831	Nut		1
40	C6140W02832	Drain Pipe		1
41	C6140W02833	Clamping Plate		1
42	GB5782	Hexagon Head Bolt	M16x60	1
43	C6266C02303	Sign Plate		1
44	C6140W02143	Slide Block		1



45	GB119	Pin	n6x20	1
46	C6140W02129	Rocker		1
47	GB1099	Half Circle Key	6x22	1
48	C6266C02763	Shaft		1
49	G51-2A	Ring Seal	25x2.4	2
50	C6140W02127	Collar		2
51	C6266C02119	Collar		1
52	C6266C02305	Label		1
53	C6140W02837	Board		1
54	C6140W02836	Oil Distributor		1
55	GB819	Cross Recessed Head Screws	M5×10	2
56	GB819	Cross Recessed Head Screws	M6×14	2
57	GB818	Cross Recessed Pan Head Screws	M6×8	2
58	C6266C02781	Combination Of Oil Sprayers		1
59	G92-1A	Fitting	4	8 Group
60	G92-1A	Fitting	8	1 Group
61	G92-1A	Fitting	10	1 Group

# Headstock Assembly I

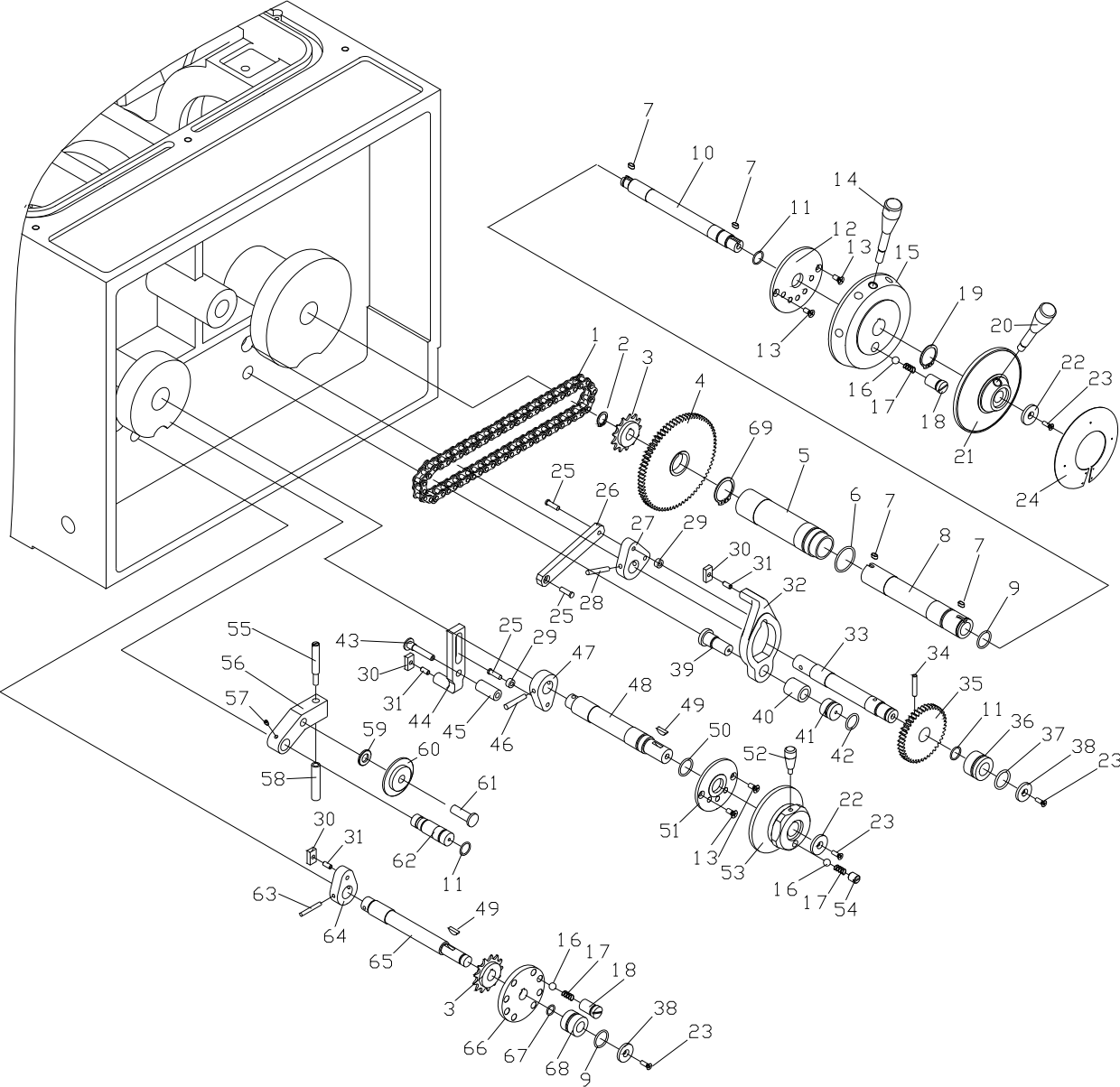


## Headstock Assembly II

Index No.	Part No.	Description	Size	Qty.
1	C6266CHA01	Chain	12.7x58	1
2	GB894.1	C-clip For Shaft	16	1
3	C6140W02808	Chain wheel		2
4	C6266C02751	Gear		1
5	C6266C02780	Sleeve		1
6	GB3452.1	Ring Seal	34.5x2.65	1
7	GB1096	Key	5x10	4
8	C6266C02753	Collar		1
9	GB3452.1	Ring Seal	25x2.65	2
10	C6266C02752	Shaft		1
11	GB3452.1	Ring Seal	17x1.8	3
12	C6266C02756	Positioning Disc		1
13	GB819	Cross Recessed head Screws	M6x14	4
14	C6140W02799	Lever		1
15	C6266C02114	Lever Support		1
16	GB308	Boll	10	3
17	Q81-1	Spring	1.6x8x18	3
18	C6266C02754	Positioning Screw		2
19	GB894.1	C-clip For Shaft	30	1
20	C6140W02801	Lever		1
21	C6140W02123	Lever Support		1
22	C6140W02821	Washer		2
23	GB819	Cross Recessed Head Screws	M5x16	6
24	C6266C02304	Speed Label		1
25	C6140W02813	Pin		3
26	C6266C02775	Connector		1
27	C6266C02121	Rocker		1
28	GB117	Taper Pin	6x45	1
29	C6140W02812	Roller		2
30	C6140W02119	Slide Block		3
31	GB119	Pin	6n6x14	3
32	C6266C02122	Fork		1
33	C6266C02765	Axis		1
34	GB117	Taper Pin	6x35	1
35	C6266C02749	Gear		1
36	C6266C02112	Collar		1
37	GB3452.1	Ring Seal	30x2.65	1
38	C6266C02750	Washer		2
39	C6266C02764	Pin		1
40	C6266C02123	Collar		1
41	C6266C02111	Plug		1
42	GB3452.1	Ring Seal	20x2.65	1
43	C6266C02760	Shaft		1
44	C6266C02118	Fork		1

45	C6266C02116	Collar	1
46	GB117	Taper Pin	6x40
47	C6266C02117	Rocker	1
48	C6266C02759	Shaft	1
49	GB1099	Key	5 x19
50	GB3452.1	Ring Seal	21.2x2.65
51	C6266C02758	Positioning Disc	1
52	C6140W02822	Lever	1
53	C6266C02115	Lever Support	1
54	GB73	Set Screws	M12x14
55	C6266C02774	Bolt	1
56	C6266C02129	Rocker chard	1
57	GB75	Slotted Cylindrical End Set Screw	M5 x8
58	C6266C02773	Screw	1
59	GB97.1	Plain washers	12
60	C6140W02826	Tightening Wheel	1
61	C6140W02825	Pin	1
62	C6266C02771	Shaft	1
63	GB117	Taper Pin	5x40
64	C6266C02127	Rocker	1
65	C6266C02766	Shaft	1
66	C6266C02772	Positioning Disc	1
67	GB3452.1	Ring Seal	12.5x1.8
68	C6266C02126	Collar	1
69	GB894.1	C-clip For Shaft	35

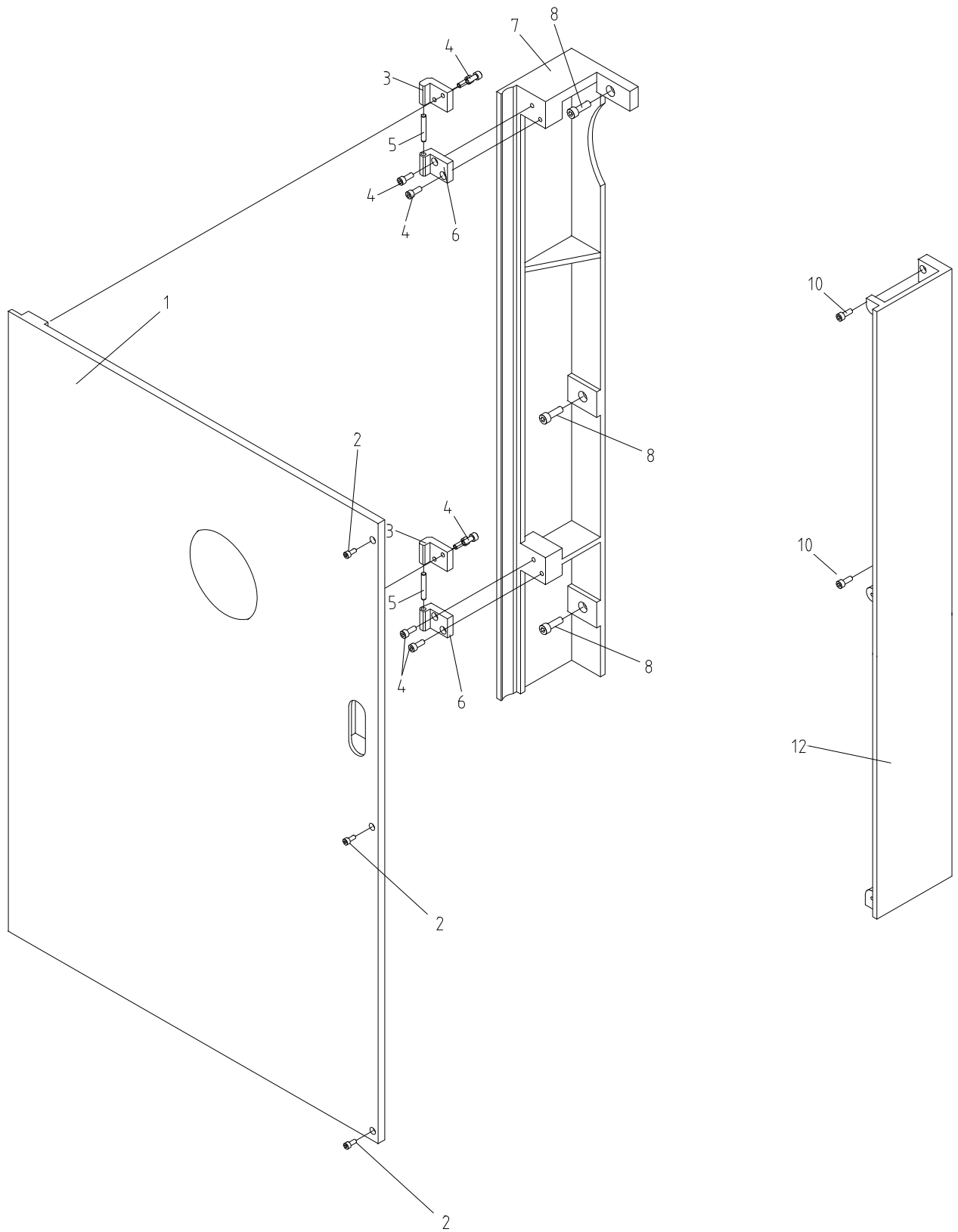
# Headstock Assembly II



## Headstock Assembly III

Index Part				
No.	No.	Description	Size	Qty.
1	C6266C08501	Back Cover		1
2	GB70	Hex Socket Cap Screw	M5x12	3
3	C6266C08706	Upper Hinge		2
4	GB879	Straight Pin	5x20	2
5	GB119	Pin	6h8x40	2
6	C6266C08707	Lower Hinge		2
7	C6266C08504	Rear Side Plate		1
8	GB70	Hex Socket Cap Screw	M6x16	8
10	GB70	Hex Socket Cap Screw	M6x14	2
12	C6266C08503	Lower Front Side Plate( serial # 0803ZH0086 and lower)		1
	C6266C08711A	Lower Front Side Plate( serial # 0803ZH0087 and higher)		1

# Headstock Assembly III



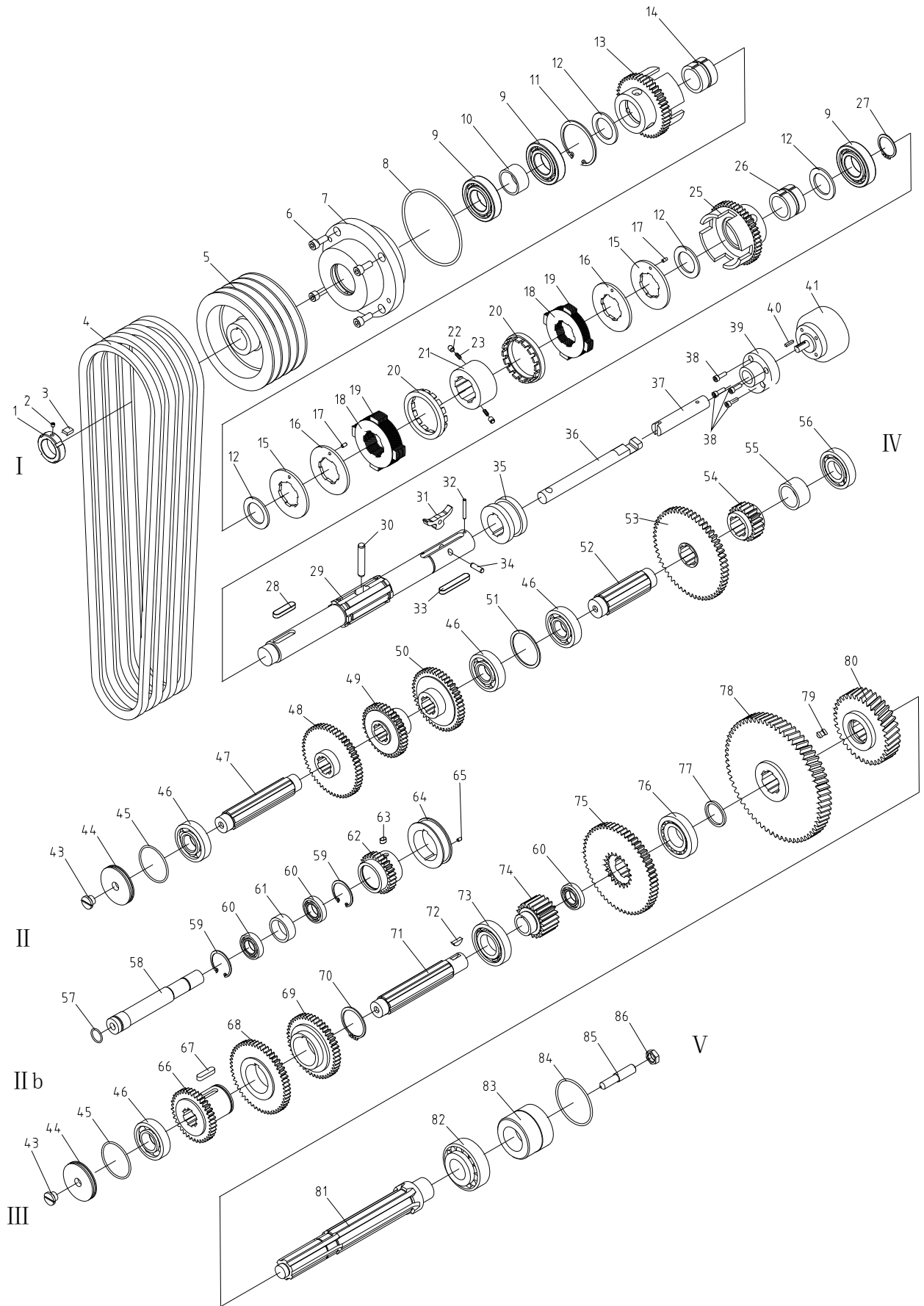
## Headstock Assembly IV

Index No.	Part No.	Description	Size	Qty.
1	C6140W02752-1/2	Round Nut		1
2	GB77	Hexagon Socket Set Screws	M6x6	1
3	C6140W02752-2/2	Clamping Plate		1
4	B2464	Belt		4
5	C6266C02107	Pulley		1
6	GB70	Hex Cap Head Screws	M10x25	4
7	C6266C02105	Bearing Cover		1
8	GB3452.1	Ring Seal	125x3.55	1
9	6208	Ball Bearing		3
10	C6266C02106	Sleeve		1
11	GB894.1	C-clip For Shaft	40	1
12	C6266C02723	Sleeve		3
13	C6140W02745	Outer Friction Disk		1
14	C6266C02302	Collar		1
15	C6140W02748	Washer		2
16	C6140W02747	Was her		2
17	GB119	Pin	5x10	2
18	C6140W02746	Inner Friction Disk		1
19	C6140W02741	Adjust Nut		2
20	C6140W02741	Adjusting Nut		2
21	C6266C02727	Sleeve Nut		1
22	C6140W02744	Stop Pin		1
23	Q81-1	Spring	0.8x5x16	2
25	C6266C02724	Clutch Right Housing		1
26	C6266C02301	Collar		1
27	GB894.1	C-clip For Shaft	40	1
28	GB1096	Key	12x50	1
29	C6266C02731	I Shaft		1
30	GB119	Pin	12x70	1
31	C6240W02732	Lever		1
32	GB119	Pin	5x40	1
33	GB1096	Key	12x70	1
34	GB119	Pin	8x25	1
35	C6140W02733	Clamping Ring		1
36	C6266C02728	Shaft		1
37	C6266C02722	Shaft		1
38	GB70	Hex Socket Cap Head Screws	M6x20	3
39	C6140W02106	Pump Support		1
40	GB1096	Key	4 x 16	1
41	DB-B4	Bracket		1
43	C6266C02740	Bolt		2
44	C6266C02736	Cover		2



45	GB3452.1	Ring Seal	65x3.55	2
46	6306	Bearing		3
47	C6266C02735	II Shaft		1
48	C6266C02734	Gear		1
48	C6266C02733	Gear		1
50	C6266C02732	Gear		2
51	C6266C02737	C-clip		1
52	C6266C02718	IV Shaft		1
53	C6266C02720	Gear		1
54	C6266C02719	Gear		1
55	C6266C02103	Sleeve		1
56	6207	Bearing		2
57	GB3452.1	Ring Seal	25x2.65	1
58	C6266C02729	II b Shaft		1
59	GB893.1	C-Clip	47	2
60	6005	Bearing		2
61	C6266C02104	Sleeve		1
62	C6266C02726	Gear		1
63	GB1096	Key	8x12	1
64	C6266C02725	Braking Wheel		1
65	GB73	Set Screws	M5x8	1
66	C6266C02741	Gear		1
67	GB1096	Key	10x40	1
68	C6266C02738	Gear		1
69	C6266C02742	Gear		1
70	GB894.1	C-clip For Shaft	55	1
71	C6266C02739	III Shaft		1
72	GB1099	Half Circle Key	6 x 22	1
73	6208	Bearing		1
74	C6266C02717	Gear		1
75	C6266C02716	Gear		1
76	32208	Bearing		1
77	GB894.1	C-clip For Shaft	55	1
78	C6266C02715	Gear		1
79	C6140W02733	Clamping Sleeve		3
80	C6266C02714	Gear		1
81	C6266C02713	V Shaft		1
82	32308	Bearing		1
83	C6140W02103	VI Shaft Plug		1
84	GB3452.1	Ring Seal	82.5x3.55	1
85	C6140W02717	Socket Head Screw		1
86	GB6173	Nut	M16x1.5	1

# Headstock Assembly IV

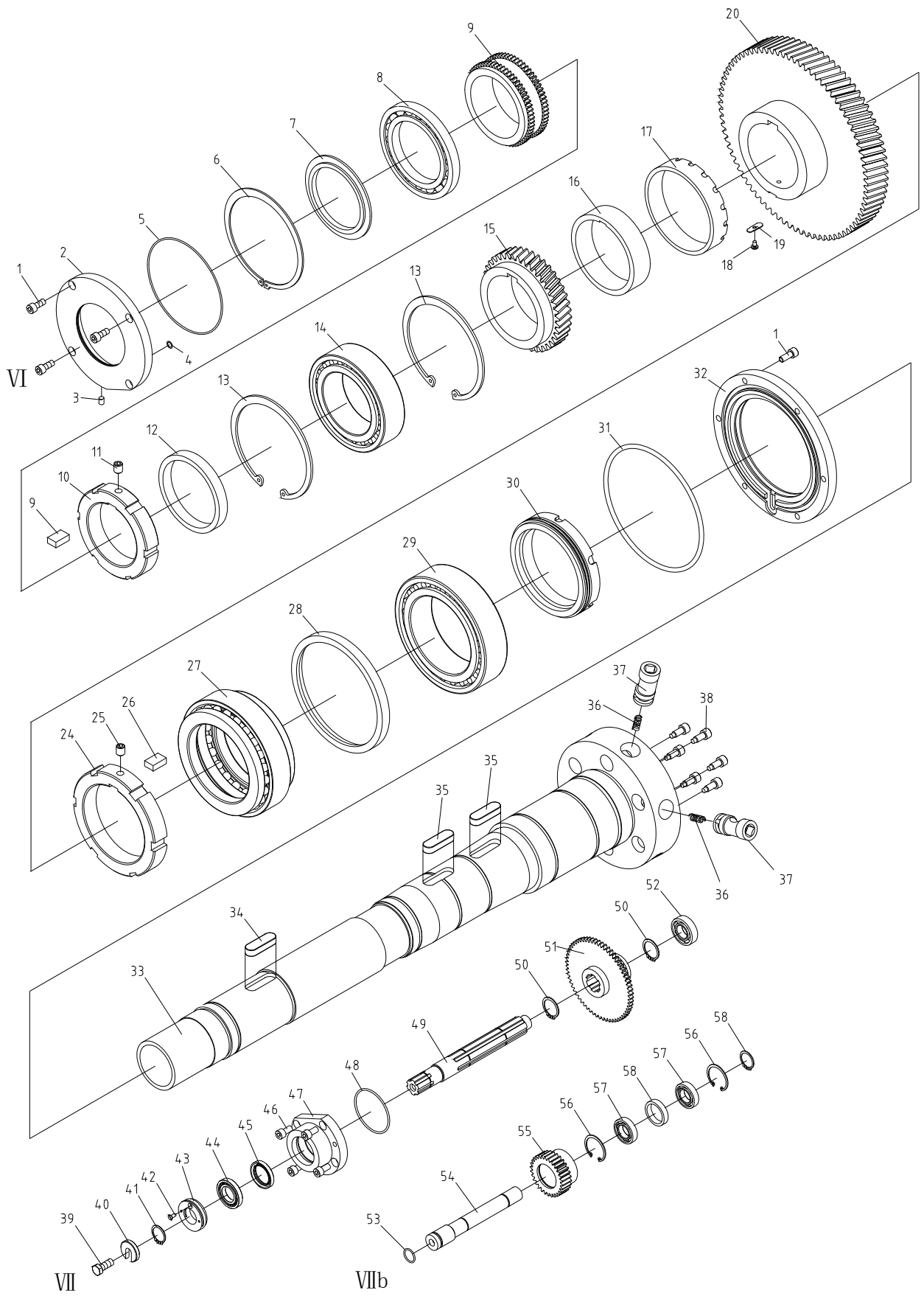


## Headstock Assembly V

Index No.	Part No.	Description	Size	Qty.
1	GB70	Hex Socket Cap Head Screw	M10x25	6
2	C6266C02108	Back Flange Cover	M6x6	1
3	GB119	Pin	6x8	1
4	B2464	Belt		4
5	GB3452.1	Ring Seal	18x2.65	1
6	GB894.1	C-clip For Shaft	120	1
7	C6266C02744	Bearing Back C-clip		1
8	16024	Bearing		1
9	C6266C02743	Double Gear		1
10	C6266C02702	Round Nut		1
11	GB77	Hexagon Socket Set Screws	M12x12	3
12	C6266C02703	C-clip		1
13	GB893.1	C-clip For Bore	200	2
14	NN3026K	Bearing		1
15	C6266C02704	Gear		1
16	C6266C02705	Thread Sleeve		1
17	C6266C02706	Nut		1
18	GB67	Screw	M6x10	1
19	C6140W02715	Fixing Plate		2
20	C6266C02707	Gear		1
24	C6266C02708-1	Round Nut		1
25	GB79	Hex Socket Set Screws	M12x16	3
26	C6266C02708-2	Pin		3
27	2268930	Bearing		1
28	C6266C02709	Bearing C-clip		1
29	NN3030K	Bearing		1
30	C6266C02710	Round Nut		1
31	GB3452.1	Ring Seal	250x5.3	1
32	C6266C02102	Front Flange Cover		1
33	C6266C02701	Spindle		1
34	GB1096	Key	10x40	1
35	GB1096	Key	10x50	2
36	Q81-1	Spring	1x8x16	6
37	C6266C02711	Cam		1
38	C6266C02712	Positioning Screw		1
39	GB5782	Hex Head Bolts	M12x30	1
40	GB85	Set Screw	12	1
41	GB894.1	C-clip For Shaft	30	1
42	GB68	Slotted Head Screws	M5x12	1
43	C6140W02776	Adjust Screw		1
44	6006	Bearing		1
45	GB13871	Seal	B-35x51x8	1
46	GB70	Hex Socket Cap Screw	M10x20	4

47	..... C6266C02110.....	Bearing Cover.....	.....	1
48	..... GB13871.....	Seal.....	B-35 x51 x8 .....	1
49	..... C6266C02747.....	VII Shaft.....	.....	1
50	..... GB894.1.....	C-Clip.....	35.....	2
51	..... C6266C02746.....	Gear.....	.....	1
52	..... 6205.....	Bearing .....	.....	1
53	..... GB3452.1.....	Ring Seal .....	10x1.8.....	1
54	..... C6266C02748.....	VII b Shaft.....	.....	1
55	..... C6266C02745.....	Gear.....	.....	1
56	..... GB893.1.....	C-clip For Bore .....	47.....	2
57	..... 6005.....	Bearing .....	.....	2
58	..... GB894.1.....	C-clip For Shaft.....	25.....	1
59	..... C6266C02109.....	Sleeve.....	.....	1

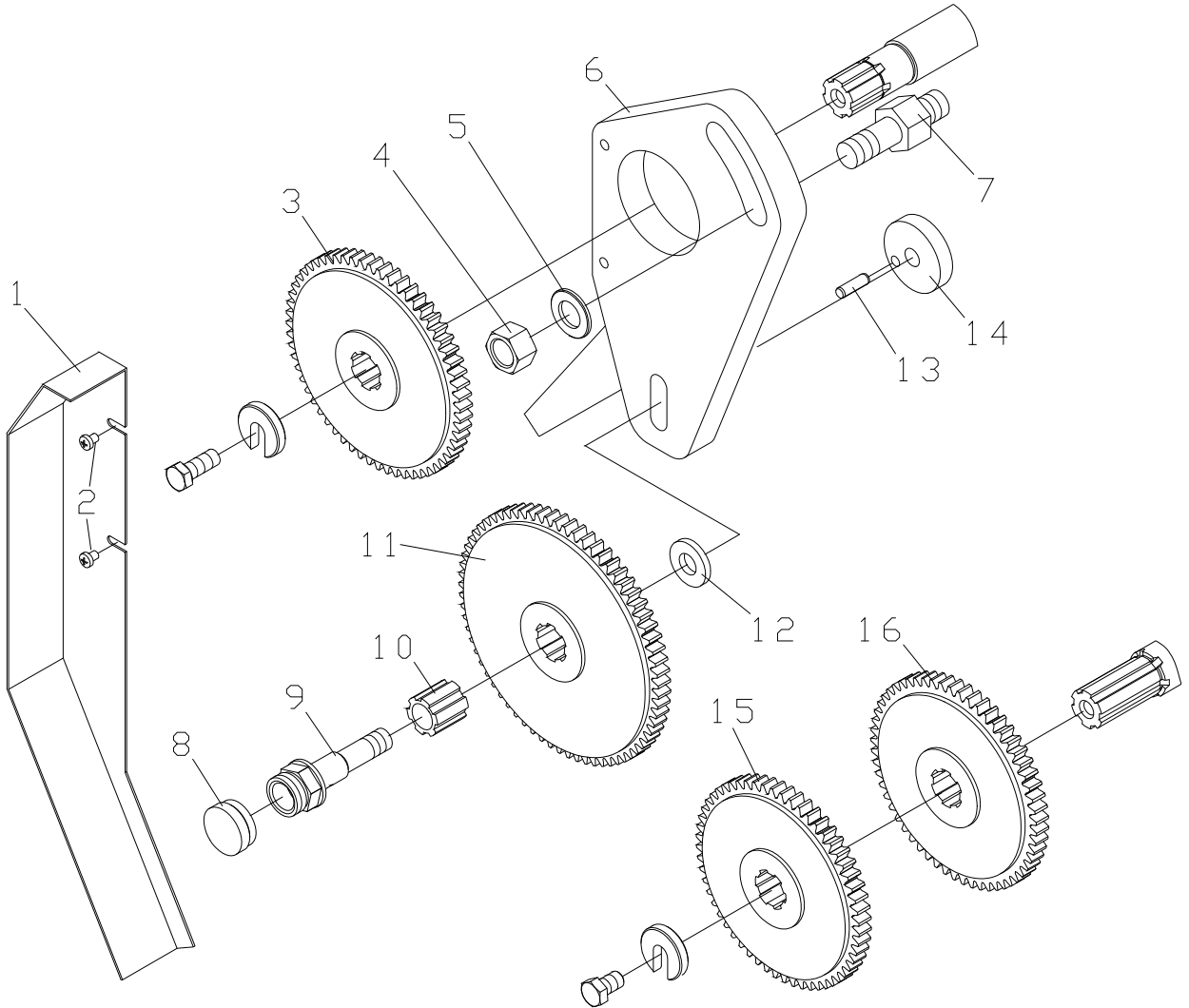
# Headstock Assembly V



## Gear Assembly

Index No.	Part No.	Description	Size	Qty.
1	C6266C08708	Splash Guard		1
2	GB818	Cross Recessed Pan Head Screws	M6x8	2
3	C6266C08702	Gear (For Metric Style)	2.75m60T	1
4	GB6172	Nut	M20	1
5	GB97.2	Washer	20	1
6	C6266C08101	Gear Frame		1
7	C6266C02776	Bolt		1
8	C6140W08703	Nut Cover		1
9	C6140W08702	Gear Shaft		1
10	C6140W08301	Spline Sleeve		1
11	C6266C08102	Gear (For Metric Style)	2.75m69T	1
12	C6266C08701	Washer		1
13	GB119	Pin	8n6x20	1
14	C6140W08704	Position Nut		1
15	C6266C08703	Gear (For Metric Style)	2.75m56T	1
16	C6266C08704	Gear (For Metric Style)	2.75m57T	1

# Gear Assembly

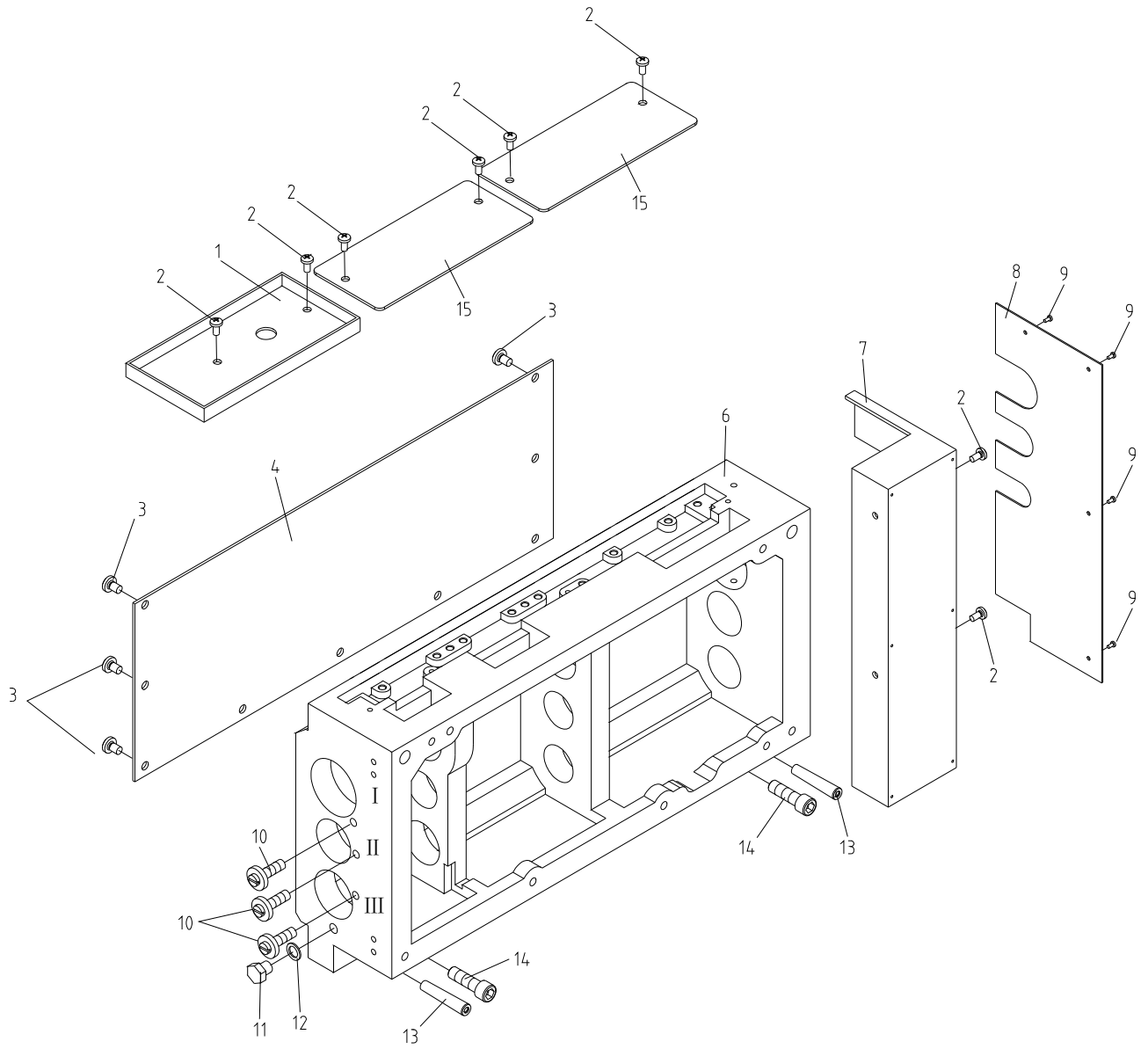


## Gear Box Assembly I

Index No.	Part No.	Description	Size	Qty.
1	C6140W05504	Upper Cover		1
2	GB818	Cross Recessed Pan Head Screws	M6x10	8
3	GB818	Cross Recessed Pan Head Screws	M8x12	9
4	C6140W05A729	Back Cover		1
6	C6140W05A101	Feed Box Casting		1
7	C6140W05766	Casting		1
8	C6140W05765A	Side Splash Guard		1
9	GB818	Cross Recessed Pan Head Screws	M3x6	4
10	C6140W05A728	Bolt With Washer		3
11	G38-2A	Bolt	M12x1.5	1
12	G52-1	Washer	12	1
13	GB118	Taper Pin	10x60	2
14	GB70	Hex Socket Cap Screw	M12x40	2
15	C6266C05768	Panel		2



# Gear Box Assembly I

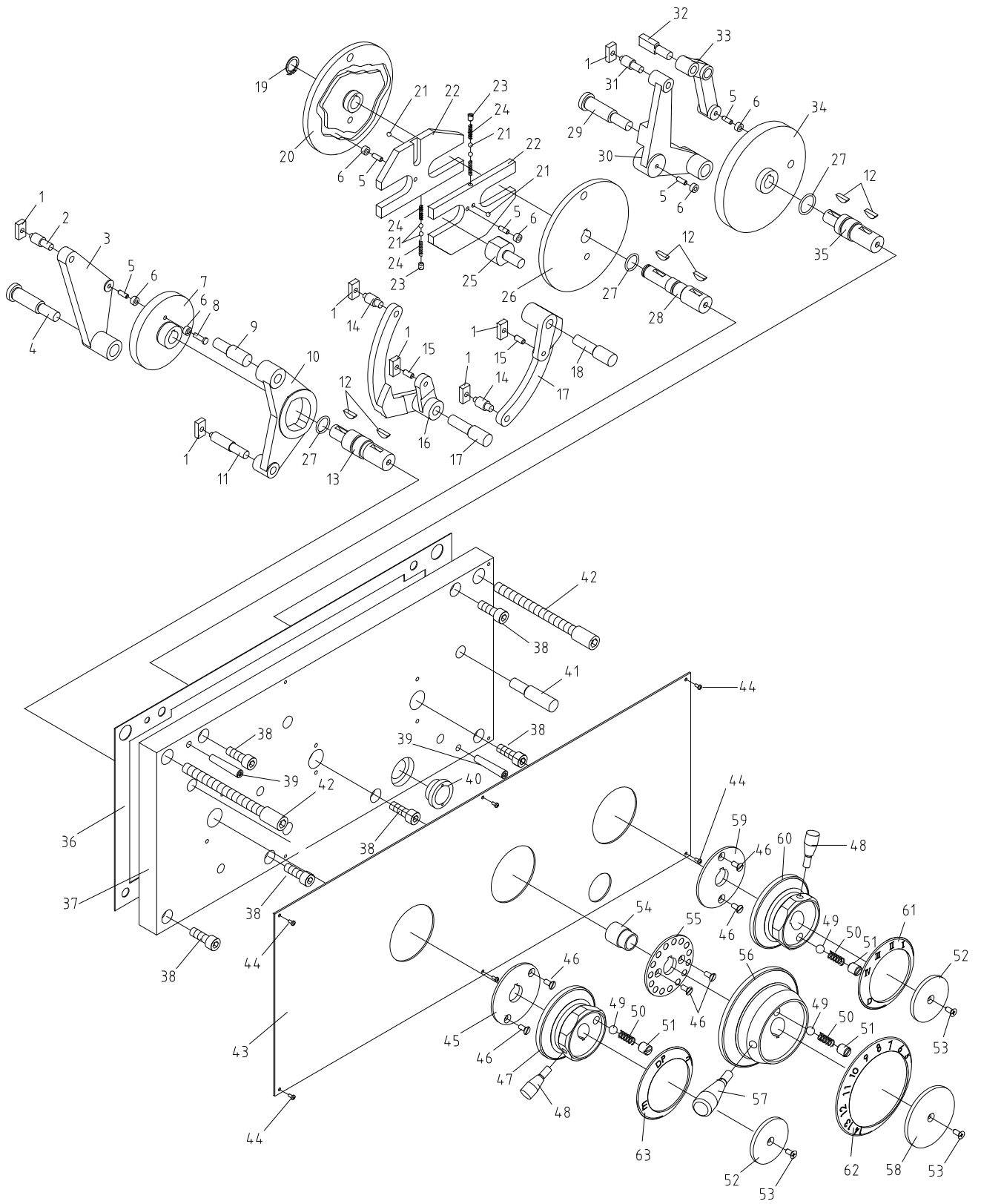


## Gear Box Assembly II

Index No.	Part No.	Description	Size	Qty.
1	C6140W05109	Sliding Block		7
2	C6140W05A701	Shaft		2
3	C6140W05A105	Ratio Change Rocker		1
4	C6140W05709	Rocker Shaft		2
5	GB119	Pin	5x14	6
6	C6140W05720	Roller		6
7	C6140W05A708	Cam		1
8	C6140W05A703	Roller Shaft		1
9	C6140W05702	Shaft		1
10	C6140W05A103	Rocker		1
11	C6140W05A710	Shaft		1
12	GB1099	Key	5x19	6
13	C6140W05707	Shaft		1
14	C6140W05A711	Shaft		1
15	GB119	Pin	6x14	2
16	C6140W05A110	Shaft		1
17	C6140W05A106	Upper Rocker		1
18	C6140W05712	Shaft		1
19	GB894.1	C-clip For Shaft	16	1
20	C6140W05A717	Cam		1
21	GB308	Steel Ball	5	6
22	C6140W05A719	Pulley		2
23	GB73	Set Screw	M6x8	2
24	Q81-1	Spring	0.6x4 x20	4
25	C6140W05A718	Positioning Column		1
26	C6140W05109	Sliding Block		1
27	G51-2A	Ring Seal	25 x2.4	3
28	C6140W05A716	Handle Axle		1
30	C6140W05A112	Rocker		1
31	C6140W05A721	Shaft		1
32	C6140W05A722	Shaft		1
33	C6140W05A111	Rocker		1
34	C6140W05A725	Cam		1
35	C6140W05A723	Shaft		1
36	C6140W05A501	Washer		1
37	C6140W05A115	Front Cover		1
38	GB70	Hex Socket Cap Screw	M10x30	6
39	GB118	Pin	8x50	2
40	C6266CGBA40	Oil Sight Glass		1
41	C6140W05721	Shaft		1
42	C6140W05A727	Hex Socket Cap Screw		1
43	C6266C05301A-7	Panel		1
44	GB818	Cross Recessed Pan Head Screws	M3x6	6

45	C6140W05A704	Positioning Disc	1
46	GB68	Slotted Head Screws M6x12	6
47	C6140W05A104	Lever Support	1
48	C6140W05705	Lever	2
49	GB308	Steel Ball 10	3
50	Q81-1	Spring 1.6x8 x28	3
51	GB73	Slotted Set Screws M12x14	3
52	C6140W05706	Disk	2
53	GB819	Cross Recessed Head Screws M5x12	3
54	C6140W05A108	Sleeve	1
55	C6140W05A713	Positioning Disc	1
56	C6140W05A107	Lever Support	1
57	C6140W05714	Lever	1
58	C6140W05715	Cover	1
59	C6140W05A724	Positioning Disc	1
60	C6140W05A113	Lever Support	1
61	C6140W05308	Handle Panel	1
62	C6140W05A307	Handle Panel	1
63	C6140W05306	Handle Panel	1

# Gear Box Assembly II

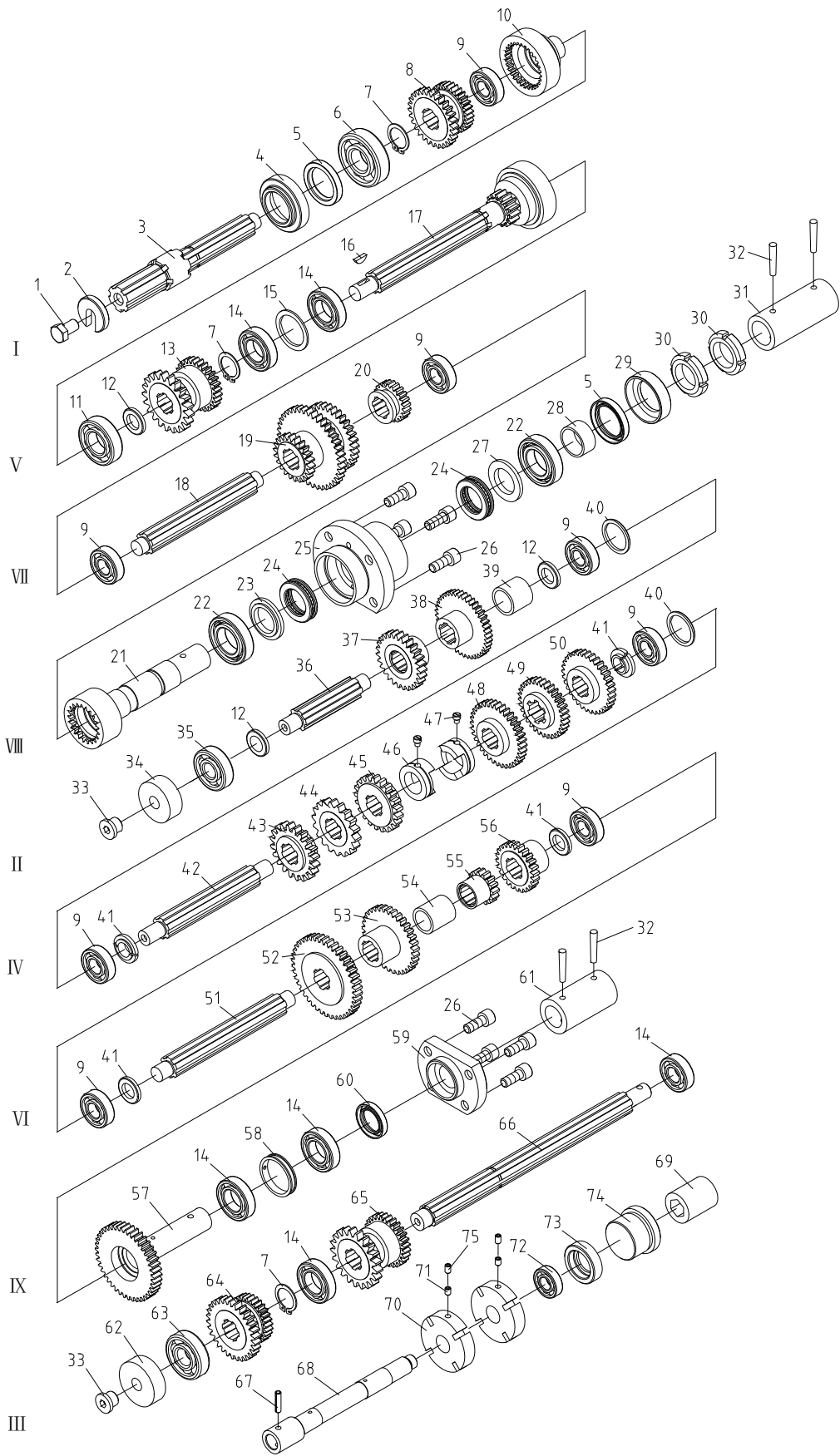


## Gear Box Assembly III

Index No.	Part No.	Description	Size	Qty.
1	GB5783	Hexagon Head Bolts	M12x20	1
2	GB851	Washers With Split	A12x40	1
3	C6140W05A730	I Shaft		1
4	C6140W05A116	Bearing Cover(fserial #0808ZH0339 and lower)		1
	C6266C05772J	Bearing Cover (serial #0809ZH0340 and higher)		1
5	G51-1	Felt Washer(serial #0808ZH0339 and lower)	35	2
	G51-1	Felt Washer(serial #0809ZH0340 and higher)	B-35×50×8	2
6	6305	Bearing	25x62x17	1
7	GB894.1	C-clip For Shaft	25	3
8	C6140W05731	Double Gear		1
9	6203	Spring	17x40x12	7
10	C6140W05732	Gear		1
11	6205	Spring	25x52x15	1
12	C6140W05127	Washer		3
13	C6140W05733	Double Gear		2
14	6005	Spring	25x47x12	4
15	C6140W05736	Sleeve		2
16	GB1099	Key	4x16	1
17	C6140W05A735	V Shaft		1
18	C6140W05A738	VII Shaft		1
19	C6140W05737	Triple Gear		1
20	C6140W05739	Gear		1
21	C6140W05743	VIII Shaft		1
22	16006	Spring	30x55x9	2
23	C6140W05740	Sleeve		2
24	51106	Spring	30x47x11	2
25	C6140W05A117	Flange Sleeve		1
28	C6140W05A118	Sleeve(fserial #0808ZH0339 and lower)		1
	C6266C05773J	Sleeve(serial #0809ZH0340 and higher)		1
29	C6140W05A741	Bearing Cover(serial #0808ZH0339 and lower)		1
	C6266C05741J	Bearing Cover(serial #0809ZH0340 and higher)		1
30	C6140W05742	Round Nut		2
31	C6140W05119	Shaft		1
32	GB117	Taper Pin	6x40	4
33	G38-4A	Plug	M16x1.5	2
34	C6140W05128	Bearing Cover		1
35	6303	Spring	17x47x14	1
36	C6140W05A762	II Shaft		1
37	C6140W05763	Gear		1
38	C6140W05764	Gear		1
39	C6140W05125	Sleeve		1
40	C6140W05751	Sleeve		2
41	C6140W05A752	Adjust Washer		4
42	C6140W05A754	IV Shaft		1

43	C6140W05A759	Gear	1
44	C6140W05758	Gear	1
45	C6140W05757	Gear	1
46	C6140W05A734	Positioning Sleeve	1
47	GB75	Slotted Cylindrical End Set Screw M8x10	2
48	C6140W05756	Gear	1
49	C6140W05755	Gear	1
49	C6140W05753	Gear	1
52	C6140W05750	Gear	1
53	C6140W05A748	Gear	1
54	C6140W05A124	Sleeve	1
55	C6140W05747	Gear	1
56	C6140W05746	Gear	1
57	C6140W05745	IX Shaft	1
58	C6140W05A744	Sleeve	1
59	C6140W05A121	Flange Sleeve(serial #0808ZH0339 and lower)	1
	C6266C05121W	Flange Sleeve(serial #0809ZH0340 and higher)	1
60	G51-1	Felt Washer(serial #0808ZH0339 and lower)	.25
	G51-1	Felt Washer(serial #0809ZH0340 and higher)	B-25×40×7
61	C6140W05120	Shaft Connector	1
62	C6140W05126	Bearing Cover	1
63	6304	Spring	20x52x15
64	C6140W05761	Double Gear	1
66	C6140W05A760	III Shaft(serial #0808ZH0339 and lower)	1
	C6266C05760W	III Shaft(serial #0809ZH0340 and higher)	1
67	GB894.1	C-clip For Shaft(serial #0808ZH0339 and lower)	17
	GB879	Straight Pin(serial #0809ZH0340 and higher)	6×25
68	C6140W05A123	Sleeve (serial #0808ZH0339 and lower)	1
	C6266C05770W	Shaft(serial #0809ZH0340 and higher)	1
69	C6140W05122	Sleeve	1
70	C6266C05130J	Oil Splash Ring(serial #0809ZH0340 and higher)	2
71	GB71	Slotted Set Screw(serial #0809ZH0340 and higher)	M6×10
72	6002	Bearing(serial #0809ZH0340 and higher)	15×32×9
73	C6266C05774J	Sleeve(serial #0809ZH0340 and higher)	1
74	C6266C05123J	Sleeve(serial #0809ZH0340 and higher)	1
75	C6266C05768	Cover(serial #0809ZH0340 and higher)	2

# Gear Box Assembly III

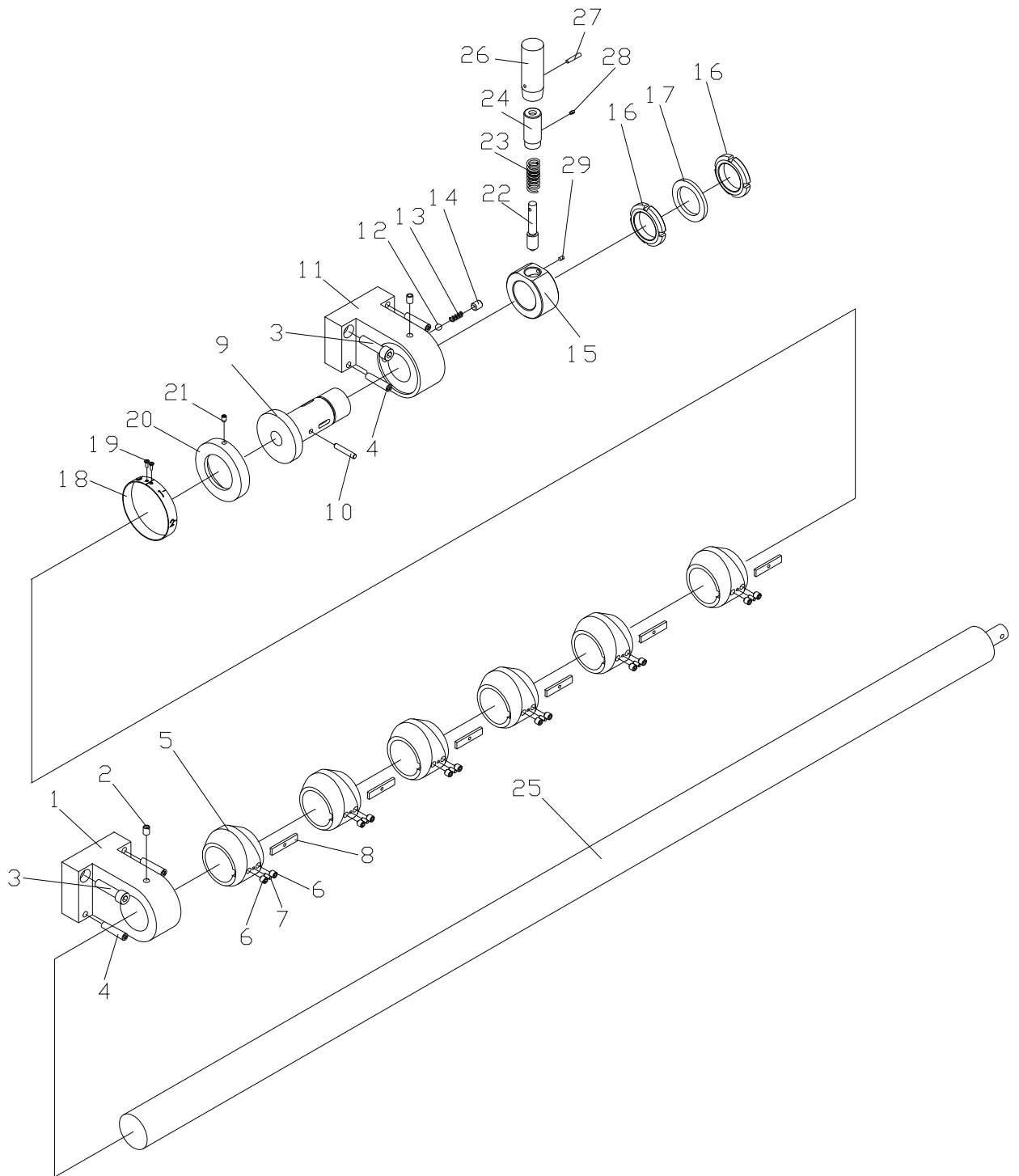


## Micro Carriage Stop Assembly

Index	Part			
No.	No.	Description	Size	Qty.
1	C6266C26102	Left Support		1
2	GB1155	Oil Cap	8	2
3	GB70	Hex Socket Cap Screw	M10x40	4
4	GB118	Pin	8x40	4
5	C6266C26712	Eccentric Travel Setting Ring		6
6	GB77	Hexagon Socket Set Screws	M8x8	12
7	GB119	Set Screw	4x10	6
8	C6266C26713	Locking Key		6
9	C6266C26706	Shaft Connector		1
10	GB117	Taper Pin	6x35	1
11	C6266C26101	Right Support		1
12	GB308	Steel Ball	8	1
13	GB2089	Spring	1.5x8 x20	1
14	GB77	Hexagon Socket Set Screws	M10x40	1
15	C6266C26701	Sleeve		1
16	GB812	Round Nut	M39x1.5	2
17	C6266C26702	Sleeve		1
18	C6266C26301	Label		1
19	GB867	Half Circle Rivet	M3×8	2
20	C6266C26714	Sleeve		1
21	GB79	Hex Socket Set Screws	M6×8	1
22	C6266C26704	Shaft		1
23	GB2089	Spring	1.2×13×40	1
24	C6266C26703	Sleeve		1
25	C6266C26707A	Travel Setting Rod (For GH-2640ZH only)		1
	C6266C26707B	Travel Setting Rod (For GH-2660ZH only)		1
	C6266C26707C	Travel Setting Rod (For GH-2680ZH only)		1
	C6266C26707D	Travel Setting Rod (For GH-26120ZH only)		1
26	C6266C26705	Handle		1
27	GB117	Taper Pin		1
28	GB75	Slotted Cylindrical End Set Screw	M4×6	1
29	GB71	Slotted Set Screw	M4×8	1



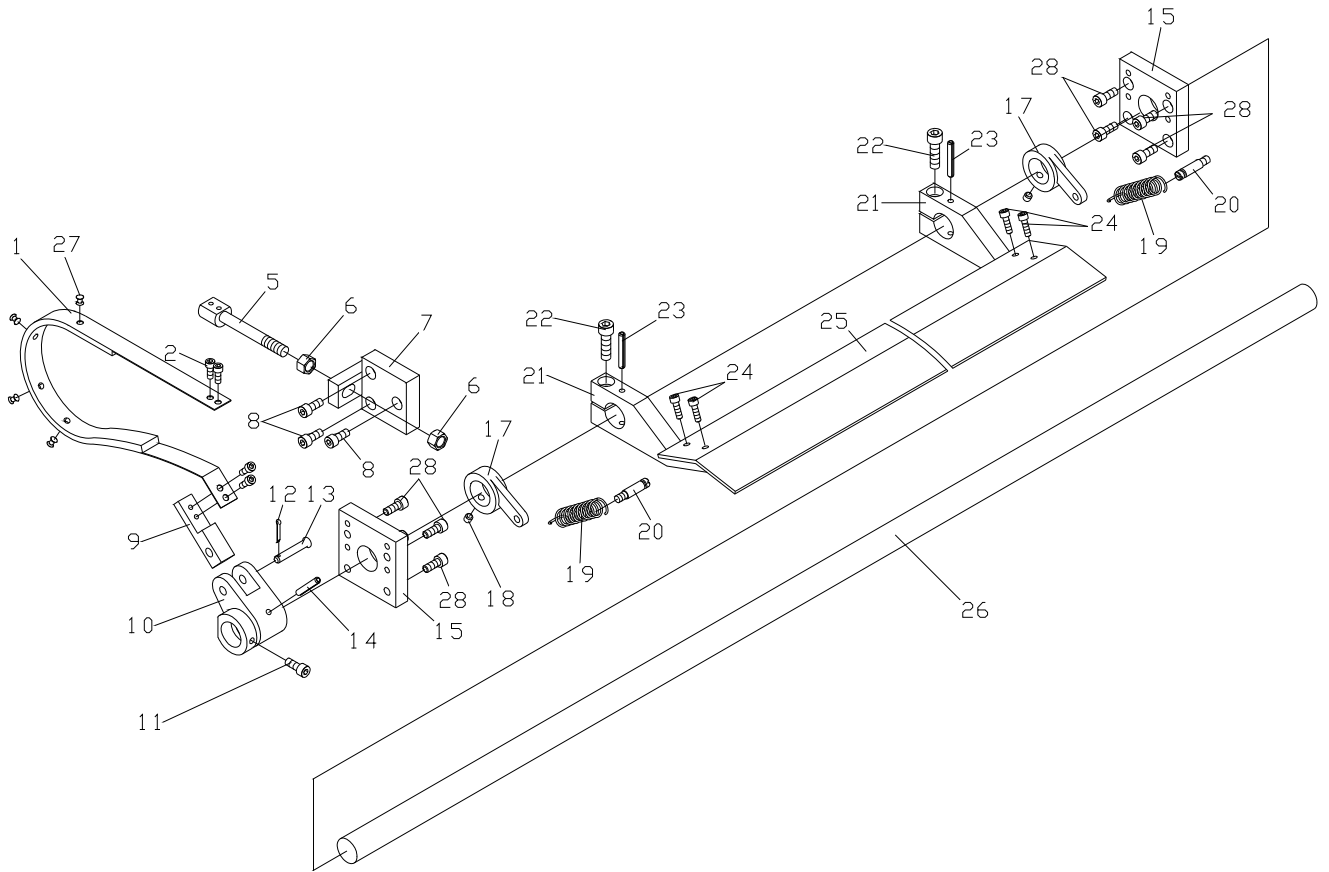
# Micro Carriage Stop Assembly



## Brake Assembly

Index No.	Part No.	Description	Size	Qty.
1	C6266C22705	Braking Belt		1
2	GB70	Hex Socket Cap Screw	M6x14	4
5	C6266C22704	Bolt		1
6	GB6170	Hex Nut	M12	2
7	C6266C22103	Braking Belt Support		1
8	GB70	Hex Socket Cap Screw	M8x20	3
9	C6266C22706	Brake Black		1
10	C6266C22104	Fork		1
11	GB70	Hex Socket Cap Screw	M8x20	1
12	GB91	Screw	3x20	1
13	GB73	Slotted set screws	M8x16	3
14	GB879	Spring Pin	6x45	1
15	C6266C22101	Support (For GH-2640ZH,GH-2660ZH, GH-2680ZH)		2
	C6266C22101	Support(For GH-26120ZH only)		4
17	C6266C22102	Brake Support(For GH-2640ZH,GH-2660ZH, GH-2680ZH)		2
	C6266C22102	Brake Support(For GH-26120ZH only)		4
18	GB77	Hex Socket Set Screws(For GH-2640ZH,GH-2660ZH, GH-2680ZH)	M8x8	2
	GB77	Hex Socket Set Screws(For GH-26120ZH only)	M8x8	4
19	Q81-1	Spring(For GH-2640ZH,GH-2660ZH, GH-2680ZH)	2.5x18x80	2
	Q81-1	Spring(For GH-26120ZH only)	2.5x18 x80	4
20	C6266C26702	Screw(For GH-2640ZH,GH-2660ZH, GH-2680ZH)		2
	C6266C26702	Screw(For GH-26120ZH only)		4
21	C6266C22105	Brake Support(For GH-2640ZH only)		2
	C6266C22105	Brake Support(For GH-2660ZH, GH-2680ZH )		3
	C6266C22105	Brake Support(For GH-26120ZH only)		6
22	GB70	Hex Socket Cap Screw(For GH-2640ZH only)	M10x35	2
	GB70	Hex Socket Cap Screw(For GH-2660ZH, GH-2680ZH)	M10x35	3
	GB70	Hex Socket Cap Screw(For GH-26120ZH only)	M10x35	6
23	GB879	Spring Pin(For GH-2640ZH only)	6x45	2
	GB879	Spring Pin(For GH-2660ZH, GH-2680ZH)	6x45	3
	GB879	Spring Pin(For GH-26120ZH only)	6x45	6
24	GB70	Hex Socket Cap Screw(For GH-2640ZH,GH-2660ZH, GH-2680ZH)	M6x20	4
	GB70	Hex Socket Cap Screw(For GH-26120ZH only)	M6x20	8
25	C6266C22708A	Pedal (For GH-2640ZH only)		1
	C6266C22708B	Pedal (For GH-2660ZH only)		1
	C6266C22708C	Pedal (For GH-2680ZH only)		1
	C6266C22708D	Pedal (For GH-26120ZH only)		1
26	C6266C22703A	Shaft (For GH-2640ZH only)		1
	C6266C22703B	Shaft (For GH-2660ZH only)		1
	C6266C22703C	Shaft (For GH-2680ZH only)		1
	C6266C22703D	Shaft (For GH-26120ZH only)		1
27	GB869	Rivet	M6×10	4
28	GB70	Hex Socket Cap Screw(For GH-2640ZH,GH-2660ZH, GH-2680ZH)	M8x20	8
	GB70	HexSocket Cap Screw(For GH-26120ZH only)	M8x20	16

# Brake Assembly

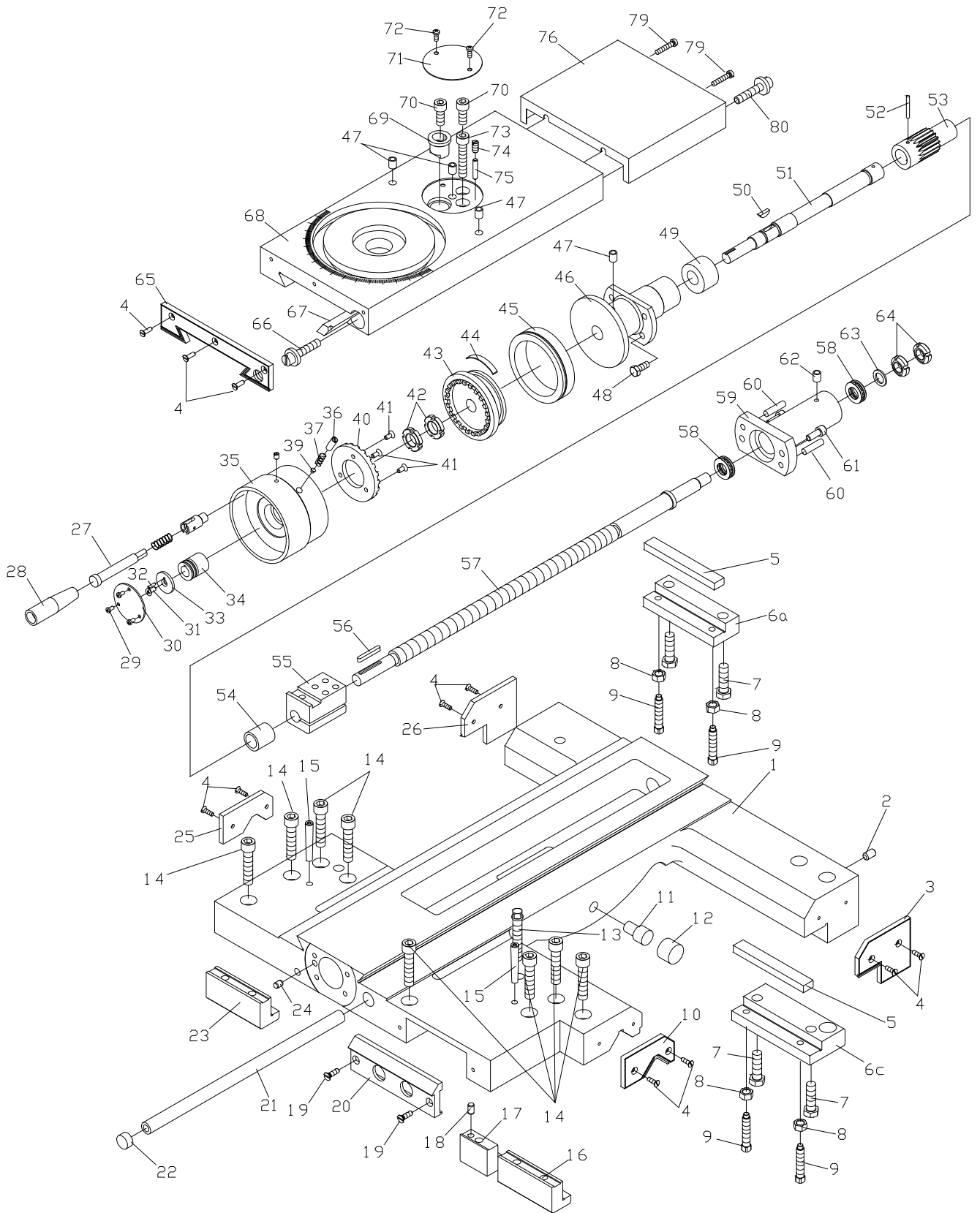


## Carriage Assembly I

Index No.	Part No.	Description	Size	Qty.
1	C6266C04101	Slide		1
2	GB73	Slotted Set Screw	M10x16	1
3	C6140W04503	Wipe Plate		1
4	GB819	Cross Recessed Head Screw	M5x16	8
5	C6140W04107	Lining Plate		1
6a	C6140W04718	Clamping Plate		1
6c	C6140W04720	Clamping Plate		1
7	GB70	Hex Socket Cap Screw	M12x45	4
8	GB6170	Hex Nut	M12	4
9	GB85	Square Set Screw	M10x35	4
10	C6140W04501	Wipe Plate		1
11	1440R04788	Stop Pin		1
12	1440R04507	Stop Pin Cap		1
13	GB83	Square Cap Bolt	M12x70	1
14	GB70	Hex Socket Cap Screw	M12x55	8
15	GB119	Pin	8x60	2
16	C6140W04713	Front Clamping Plate		2
17	C6140W04712	Locking Plate		1
18	GB119	Pin	8n6x20	1
19	GB68	Recessed Sunk Head Screw	M6 x 22	2
20	C6140W04715	Switch Seat		1
21	C6140W04711	Line Pipe		1
22	C6140W04106	Plug		1
23	C6140W04720	Back Clamping Block		1
24	GB119	Pin	8n6x10	1
29	C6140W04505	Wipe Plate		1
30	C6140W04504	Wipe Plate		1
27	C6266C04721	Lever Shaft ( serial # 0803ZH0086 and lower )		1
	C6266C04756T	Lever Shaft ( serial # 0803ZH0087 and higher )		1
28	C6266C04722	Lever Sleeve ( serial # 0803ZH0086 and lower )		1
	C6266C04757T	Lever Sleeve ( serial # 0803ZH0087 and higher )		1
29	GB818	Cross Recessed Pan Head Screws	M4x8	3
30	C6266C04306	Panel		1
31	GB819	Cross Recessed Head Screw	M5x12	1
32	GB119	Pin	3n6x10	1
33	C6266C04725	Cover		1
34	C6266C04724	Sleeve(serial # 0803ZH0086 and lower)		1
	C6266C04724J	Sleeve(serial # 0803ZH0087 and higher)		1
35	C6266C04108	Handle ( serial # 0803ZH0086 and lower )		1
	C6266C04754J	Handle (serial # 0803ZH0087 and higher)		1
36	GB73	Slotted Set Screw	M8x10	1
37	Q81-1	Spring	0.8x6x12	1
39	C6266C04733	Positioning Pin		1

40.....	C6266C04720.....	Connector .....	1
41.....	GB819.....	Cross Recessed Head Screw .....	M5x14.....3
42.....	GB812.....	Round Nut .....	M18x1.5.....2
43.....	C6266C04719.....	Connector .....	1
44.....	C6266C04718.....	Spring Leaf .....	1
45.....	C6140W04705A .....	Dial (For Metric style) .....	1
46.....	C6140W04107.....	Screw Support .....	1
47.....	GB1155 .....	Oil Cup.....	6.....1
48.....	GB70.....	Hex Socket Cap Screw.....	M8x20.....4
49.....	C6266C04109.....	Sleeve.....	1
50.....	GB1099.....	Half Circle Key.....	5x7.5x19.....1
51.....	C6266C04726.....	Shaft(serial # 0803ZH0086 and lower).....	1
	..... C6266C04726J.....	Shaft(serial # 0803ZH0087 and higher) .....	1
52.....	GB117 .....	Taper Pin.....	4x35.....1
53.....	C6266C04705.....	Shaft .....	8
54.....	C6266C04103.....	Sleeve.....	1
55.....	C6140W04301 .....	Nut (For Metric style).....	1
56.....	GB1096.....	Flat Key.....	
57.....	C6266C04701.....	Lead Screw (For Metric style).....	1
58.....	51103 .....	Thrust Bearing .....	17x30x9.....2
59.....	C6266C04110.....	Bracket.....	1
60.....	GB117 .....	Taper Pin.....	8x40.....2
61.....	GB70.....	Hex Socket Cap Screw.....	M8x20.....2
62.....	GB1155 .....	Oil Cap.....	6.....1
63.....	C6266C04702.....	Washer .....	1
64.....	GB812.....	Round Nut .....	M14x1.5.....2
65.....	C6266C04501.....	Wipe Plate .....	1
66.....	C6266C04727.....	Gib Setting Screw.....	1
67.....	C6266C04728.....	Cross Slide Gib.....	1
68.....	C6266C04102.....	Cross Slide .....	1
69.....	C6266C04704.....	Sleeve.....	1
70.....	GB70.....	Hex Socket Cap Screw.....	M10x50.....2
71.....	C6140W04714.....	Cover .....	1
72.....	GB818.....	Cross Recessed Pan Head Screw .....	M5x8.....2
73.....	GB70.....	Hex Socket Cap Screw.....	M10x40.....1
74.....	GB73.....	Slotted Set Screw .....	M8x40.....1
75.....	GB119 .....	Pin.....	6x35.....1
76.....	C6266C04703.....	Splash Guard.....	1
79.....	GB65.....	Slotted Socket Cap Screw.....	M6x50.....2
80.....	Q81-1 .....	Spring.....	1.4x13x48.....1

# Carriage Assembly I



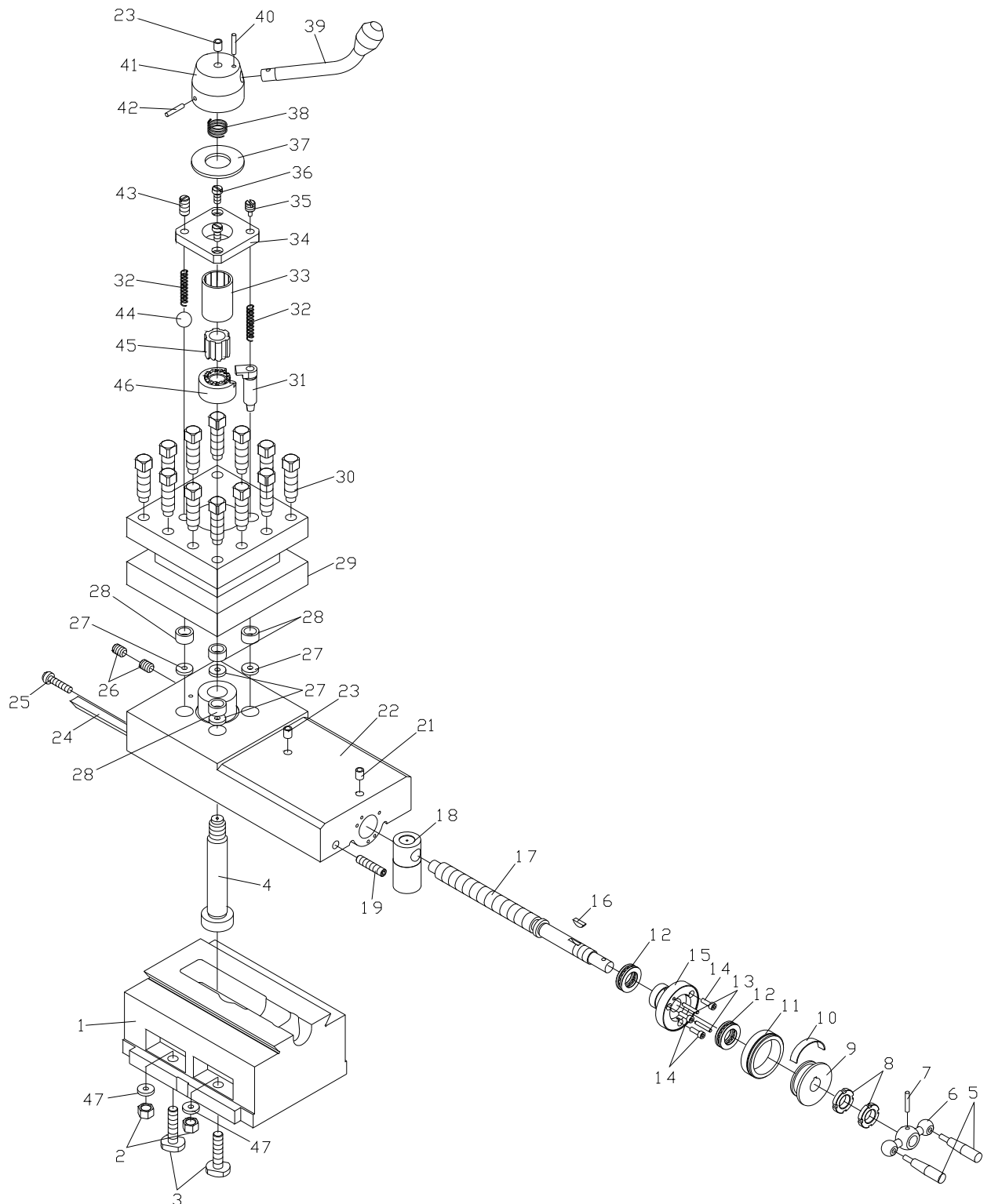
## Carriage Assembly II

Index No.	Part No.	Description	Size	Qty.
1	C6266C04104	Revolving Plate		1
2	GB6170	Hex Nut	M12	4
3	C6266C04706	Compound Screw		4
4	C6266C04707	Shaft		1
5	C6140W04737	Handle		2
6	C6140W04738	Lever		1
7	GB117	Taper Pin	5x30	1
8	GB812	Round Nut	M18x1.5	2
9	C6140W04110	Dial		1
10	C6140W04739	Spring Leaf		1
11	C6140W04740	Dial (For Metric style)		1
12	51104	Thrust Bearing	20x35x10	2
13	GB117	Taper Pin	4x25	2
14	GB70	Hex Socket Cap Screw	M5x14	3
15	C6140W04111	Bearing		1
16	GB1099	Half Circle Key	5x7.5x19	1
17	C6140W04741	Lead Screw (For Metric style)		1
18	C6266C04301Y	Nut (For Metric style)		1
19	GB77	Hexagon Socket Set Screws	M12x70	1
21	GB1155	Oil Cup	10	1
22	C6266C04105	Longitudinal Slide		1
23	GB1155	Oil Cup	6	3
24	C6266C04717	Slide Gib		1
25	C6266C04716	Adjust Screw		1
26	GB73	Slotted Set Screw	M10x20	2
27	C6140W04727	Washer		4
28	C6140W04728	Positioning Sleeve		4
29	C6266C04708	Tool Post		1
30	GB83	Square Cap Bolt	M16x50	12
31	C6266C04715	Positioning Pin		1
32	Q81-1	Spring	1.6x8x98	2
33	C6266C04712	Spline		1
34	C6266C04709	Flange Disc		1
35	C6140W04732	Bolt		1
36	GB70	Hex Socket Cap Screw	M8x16	2
37	C6266C04710	Adjust Washer		1
38	Q81-1	Spring	3x32x55	1
39	C6266C04711	Handle		1
40	GB119	Pin	5n6x32	1
41	C6266C04106	Lever Support		1
42	GB117	Taper Pin	4x40	1
43	GB73	Slotted Set Screw	M12x14	1
44	GB308	Boll	19	1

45	.....	C6266C04713.....	Connector .....	.....	1
46	.....	C6266C04714.....	Connector .....	.....	1
47	.....	GB97.2.....	Washer .....	12.....	4



# Carriage Assembly II



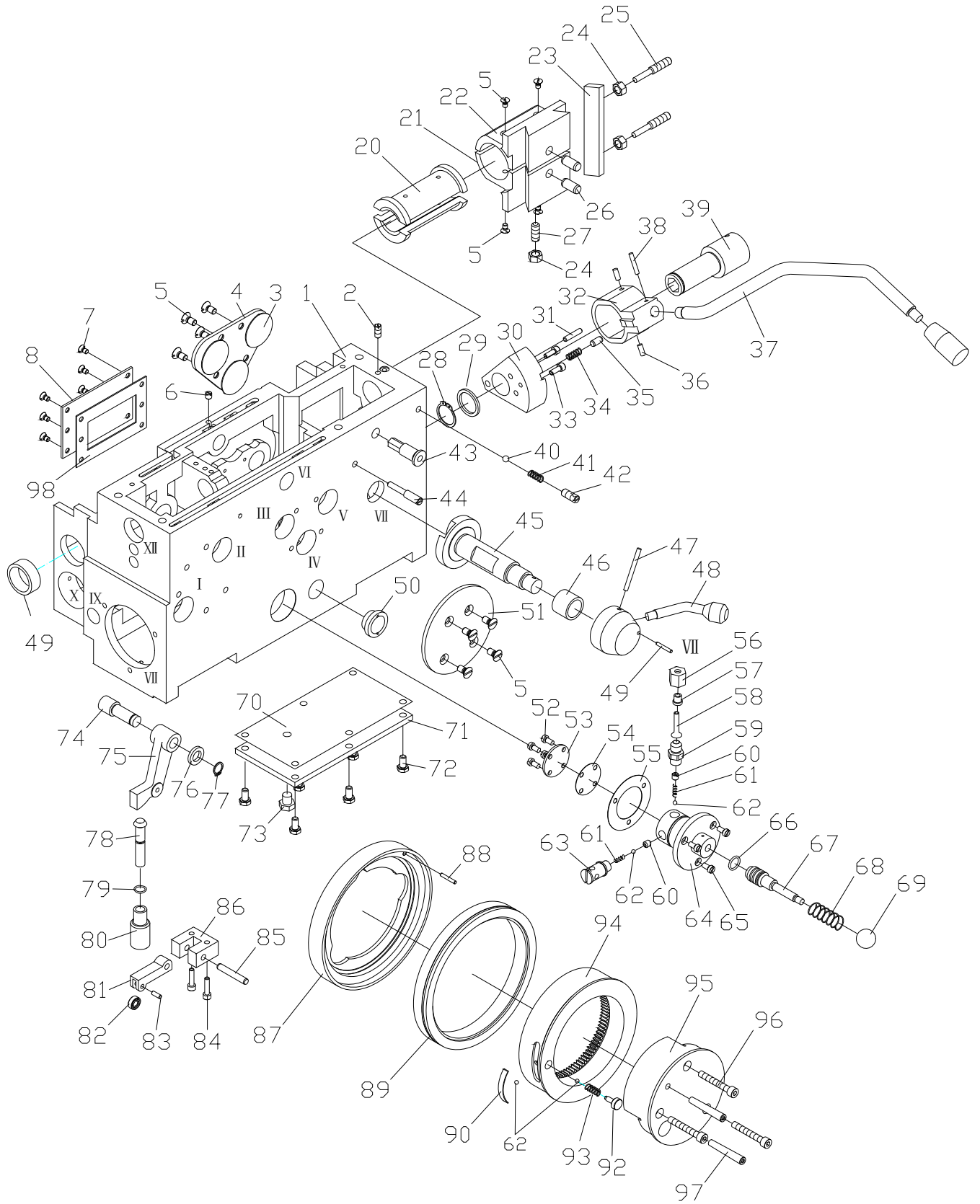
## Apron Assembly I

Index No.	Part No.	Description	Size	Qty.
1	C6266C06101	Apron Casting		1
2	GB71	Set Screw	M8x10	1
3	C6266C06506	Washer		3
4	C6140W06750	Back Cover		1
5	GB819	Cross Recessed Head Screw	M8x16	8
6	GB3452.1	Ring Seal	8.75x1.8G	1
7	GB68	Slotted Head Screw	M6x10	4
8	C6140W06731	Cover		1
20	C6140W06302Y	Half Nut (For Metric style)		1
21	C6140W06107	Upper Nut		1
22	C6140W06108	Lower Nut		1
23	C6140W06759	Gib		1
24	GB6170	Hex Nut	M10	2
25	C6140W06758	Cylindrical End Set Screw		1
26	GB119	Pin	12x25	2
27	GB73	Slotted Set Screw	M10x25	1
28	GB894.1	C-clip For Shaft	30	1
29	C6140W06755	Washer		1
30	C6266C06105	Positioning Block		1
31	GB117	Taper Pin	6x35	1
32	C6266C06106	Lever Support		1
33	GB70	Hex Socket Cap Screw	M6x16	2
34	Q81-1	Spring	1.2x8x22	1
35	GB119	Pin	8x14	1
36	GB119	Pin	6n6x18	2
37	C6266C06711	Control Handle(serial # 0803ZH0086 and lower)		1
	C6266C06711J	Control Handle(serial # 0803ZH0087 and higher)		1
38	GB117	Taper Pin	5x30	1
39	C6266C06710	Positioning Sleeve		1
40	GB308	Steel Ball	10	1
41	Q81-1	Spring	1.5x8x35	1
42	GB73	Slotted Set Screw	m12x14	1
43	C6266C06A780	Positioning Sleeve		1
44	C6140W06716	Bolt		1
45	C6140W06725	VII Shaft		1
46	C6140W-06303Y	Sleeve		1
47	GB119	Pin	5x60	1
48	C6266C06716	Handle		1
49	C6266C06104	Sleeve		1
50	R51-2	Oil Sight Glass	20	1
51	C6140W06760	Front Cover		1
52	GB65	Slotted Socket Cap Screw	M6x10	4
53	C6266C06713	Pump Cover		1

54	C6266C06505	Washer		1
55	C6266C06504	Washer		1
56	Y91-1A	Nut	8	1
57	C6266C06727	Sleeve		1
58	T3-M	Copper Pipe	Ø6x0.75x450	1
59	C6266C06726	Valve		1
60	C6266C06714	Adjust Bolt		2
61	Q81-1	Spring	0.3x3x12	2
62	GB308	Steel Ball	5	4
63	C6266C06715	Oil Purifier		1
64	C6266C06107	Pump		1
65	GB65	Slotted Socket Cap Screw	M6x12	3
66	G51-2A	Ring Seal	20x2.4	1
67	C6266C06712	Piston-rod(serial # 0803ZH0086 and lower)		1
	C6266C06712J	Piston-rod( serial # 0803ZH0087 and higher)		1
68	Q81-1	Spring	1.2x19x70	1
69	GB4141.11	Ball(serial # 0803ZH0086 and lower)	M8x25	1
	1440R4783	Nut(serial # 0803ZH0087 and higher)		1
70	C6266C06502	Washer		1
71	C6266C06103	Button Cover		1
72	GB70	Hex Socket Cap Screw	M8x12	6
73	GB38-2	Drain Plug	M12x1.5	1
74	C6266C06725	Shaft		1
75	C6266C06109	Rocker		1
76	C6266C06724	Washer		1
77	GB894.1	C-clip For Shaft	15	1
78	C6266C06721	Rod		1
79	G51-2A	Ring Seal	12x1.9	1
80	C6266C06723	Sleeve		1
81	C6266C06722	Block		1
82	606	Bearing	6x17x6	1
83	GB119	Pin	5n6x15	1
84	GB75	Slotted Cylindrical End Set Screw	M5x16	2
85	GB119	Pin	8n6x45	1
86	C6266C06110	Positioning Block		1
87	C6140W06116	Bracket Disk (For Metric style)		1
88	GB119	Pin	6x25	1
89	C6140W06761	Dial (For Metric style)		1
90	C6140W06769	Spring Leaf		1
92	C6140W06768	Eccentric Shaft( serial # 0804ZH0125 and lower)		1
	C628006730	Eccentric Shaft( serial # 0805ZH0126 and higher)		1
93	GB119	Pin( serial # 0804ZH0125 and lower)	3n6x22	1
	Q81-1	Spring( serial # 0805ZH0126 and higher)	0.4x3x10	1
94	C6140W06762	Gear (For Metric style)		1
95	C6140W06117	Bracket (For Metric style)		1
96	GB70	Hex Socket Cap Screw	M8x55	3
97	GB119	Pin	12n6x40	2

98.....	C6266C06501.....	Washer .....	.....	1
99.....	GB68.....	Slotted Head Screw.....	M6x12.....	4
100.....	GB117 .....	Taper Pin.....	4x18.....	1

# Apron Assembly I

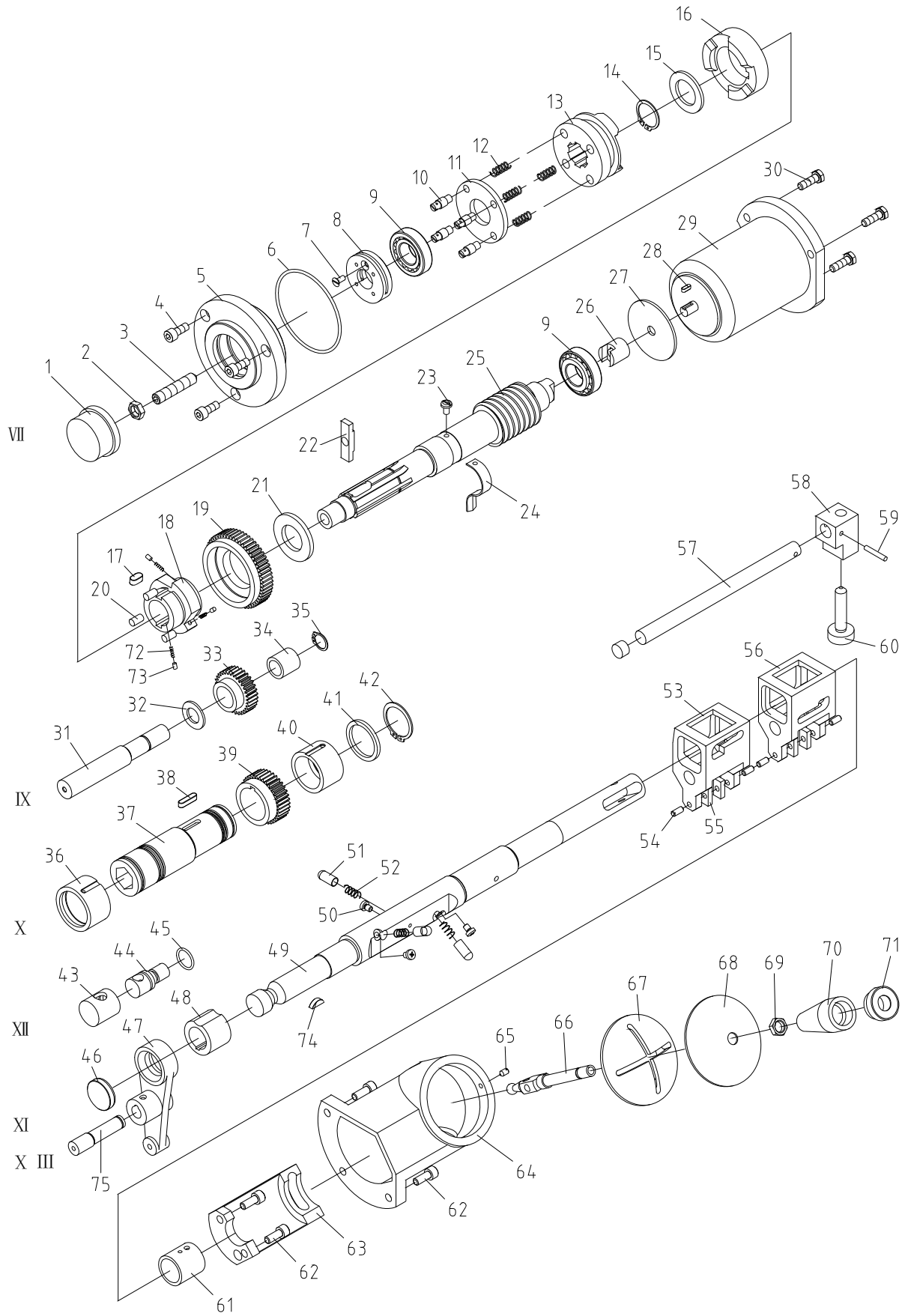


## Apron Assembly II

Index No.	Part No.	Description	Size	Qty.
1	C6140W06738	Adjust Knob		1
2	GB6172	Hex Flat Nut	M12	1
3	GB78	Hex Set Screw	M12x60	1
4	GB70	Hex Socket Cap Screw	M8x20	3
5	C6140W06111	Flange		1
6	G51-2A	Ring Seal	93x3.1	1
7	GB70.3	Screw	M5x12	1
8	C6140W06739	Adjust C-clip		1
9	30502/P6	Bearing	25x52x15	2
10	C6266C06730	Bolt		4
11	C6140W06740	Washer		1
12	Q81-1	Spring	1x10x35	4
13	C6266C06707	Clutch		1
14	GB894.1	C-clip For Shaft	30	1
15	C6266C06708	Washer		1
16	C6266C06706	Clutch		1
17	GB1096	Flat Key	8x16	1
18	C6140W06708	Star Gear		1
19	C6140W06709	Gear		1
20	C6140W06726	Pin		3
21	C6140W06710	Washer		1
22	C6140W06737	Block		1
23	GB67	Slotted Pan Head Screw	M6x10	1
24	C6140W06729	Splash Leaf		1
25	C6266C06209	Worm		1
26	C6140W06728	Motor Connector		1
27	C6266C06503	Washer		1
28	GB1096	Flat Key		1
29	YSS56BJ	Motor	370W,60Hz,1730r/min	1
30	GB5782	Hex Bolt	M8x30	3
31	C6140W06736	IX Shaft		1
32	C6140W06735	Washer		2
33	C6140W06734	Gear		1
34	C6140W06306	Sleeve		1
35	GB894.1	C-clip For Shaft	18	1
36	C6140W06305	Sleeve		1
37	C6140W06733	X Shaft		1
38	GB1096	Flat Key	6x25	1
39	C6140W06732	Gear		1
40	C6140W06304	Sleeve		1
41	C6140W06730	Washer		1
42	GB894.1	C-clip For Shaft	38	1
43	C6266C6704	Oil Tap Cover		1

44	C6266C06705	Oil tap	35	1
45	GB895	Steel Wire C-clip		1
46	C6266C06102	Plug		1
47	C6140W06103	Fork		1
48	C6266C06703	Limiting Sleeve		1
49	C6266C06701	Control Shaft		1
50	GB67	Slotted Pan Head Screw	M6x8	3
52	Q81-1	Spring	1.6x8x22	3
51	C6140W06701	Pin		3
53	C6140W06713	Left Fork		1
54	GB119	Pin	6n6x14	6
55	C6140W06715	Sliding Block		6
56	C6140W06714	Right Fork		1
57	C6140W06717	Shaft		1
58	C6140W06104	Inter-locking Block		1
59	GB117	Taper Pin	5x30	1
60	C6140W06718	Shaft		1
61	C6266C06304	Sleeve		1
62	GB70	Hex Socket Cap Screw	8x20	5
63	C6140W06719	Bracket		1
64	C6140W06105	Bracket		1
65	GB71	Slotted Set Screw		1
66	C6140W06722	Handle	M6x10	1
67	C6140W06106	Cross Cover		1
68	C6140W06501	Washer		1
70	C6140W06721	Handle		1
71	C6140W06720	Washer		1
72	C6140W06727	Pin		3
73	Q81-1	Spring	0.3x3x12	3
74	GB1099	Half Circle Key	5x19	1
75	C6140W06704	XIII Shaft		1

# Apron Assembly II



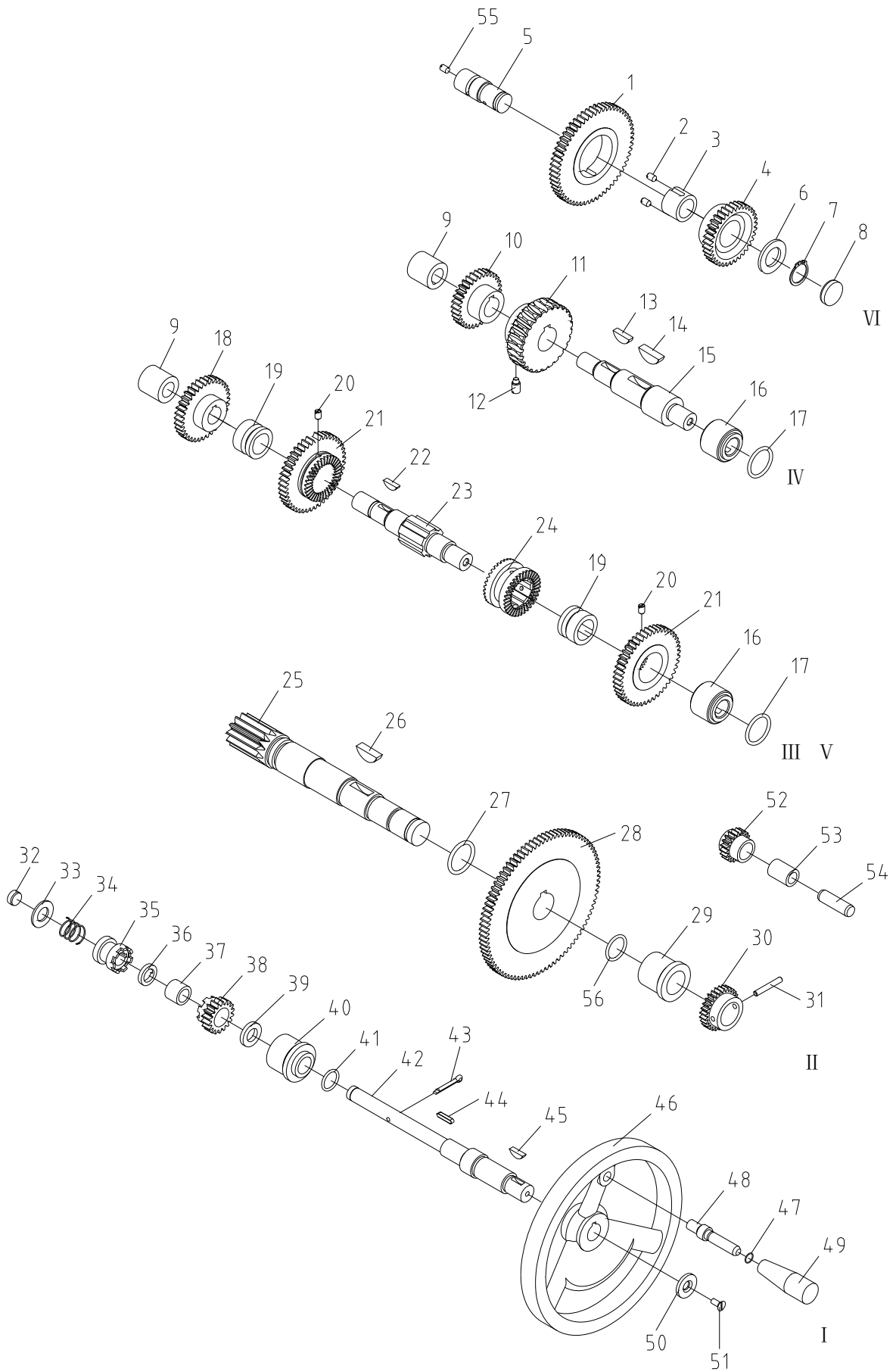


## Apron Assembly III

Index	Part			
No.	No.	Description	Size	Qty.
1	C6140W06751	Gear		1
2	GB71	Slotted Set Screw	M6x8	2
3	C6140W06309	Sleeve		1
4	C6140W06752	Gear		1
5	C6266C06728	VI Shaft		1
6	C6140W06754	Washer		1
7	GB894.1	C-clip For Shaft	20	2
8	C6140W06114	Plug		1
9	C6140W06113	Sleeve		3
10	C6140W06749	Gear		1
11	C6140W06308	Worm Wheel		1
12	GB72	Slotted Set Screw	M8x16	1
13	GB1099	Half Circle Key	6x22	1
14	GB1099	Half Circle Key	8x28	1
15	C6140W06748	IV Shaft		1
16	C6140W06115	Sleeve		3
17	G51-2A	Ring Seal	35x3.1	3
18	C6140W06746	Gear		2
19	C6140W06307	Sleeve		4
20	GB71	Slotted Set Screw	M6x10	4
21	C6140W06744	Gear		4
22	GB1099	Half Circle Key	5x16	2
23	C6140W06747	III Shaft		2
24	C6140W06745	Connector		2
25	C6140W06743	II Shaft		1
26	GB1099	Half Circle Key	8x28	1
27	G51-2A	Ring Seal	35x3.1	1
28	C6140W06742	Gear		1
29	C6140W06118	Sleeve		1
30	C6140W06764	Gear		1
31	GB117	Taper Pin	5x35	1
32	C6140W06112	Plug		1
33	C6140W06774	Washer		1
34	Q81-1	Spring	1.6x18x25	1
35	C6140W06773	Connector		1
36	C6140W06772	Washer		1
37	C6140W06371	Sleeve		1
38	C6140W06771	Gear		1
39	C6140W06770	Washer		1
40	C6140W06120	Sleeve		1
41	G51-2A	Ring Seal	18x2.4	1
42	C6140W06775	I Shaft		1
43	C6140W06774	Washer		1

44	..... GB1096.....	Flat Key.....	4x20.....	1
45	..... GB1099.....	Half Circle Key.....	5x16.....	1
46	..... C6266C06111 .....	Handle Wheel .....		1
47	..... GB895.....	Steel C-clip .....	10.....	1
48	..... C6140W06766.....	Shaft .....		1
49	..... C6140W06765.....	Lever Sleeve.....		1
50	..... GB891 .....	Circlip.....	5x12.....	1
51	..... GB68.....	Slotted Head Screw.....	25.....	1
52	..... C6140W06763.....	Gear.....		1
53	..... C6140W06310Y .....	Sleeve.....		1
54	..... GB119.....	Pin.....	12n6x40.....	1
55	..... GB71 .....	Slotted Set Screw .....	M6x8.....	1

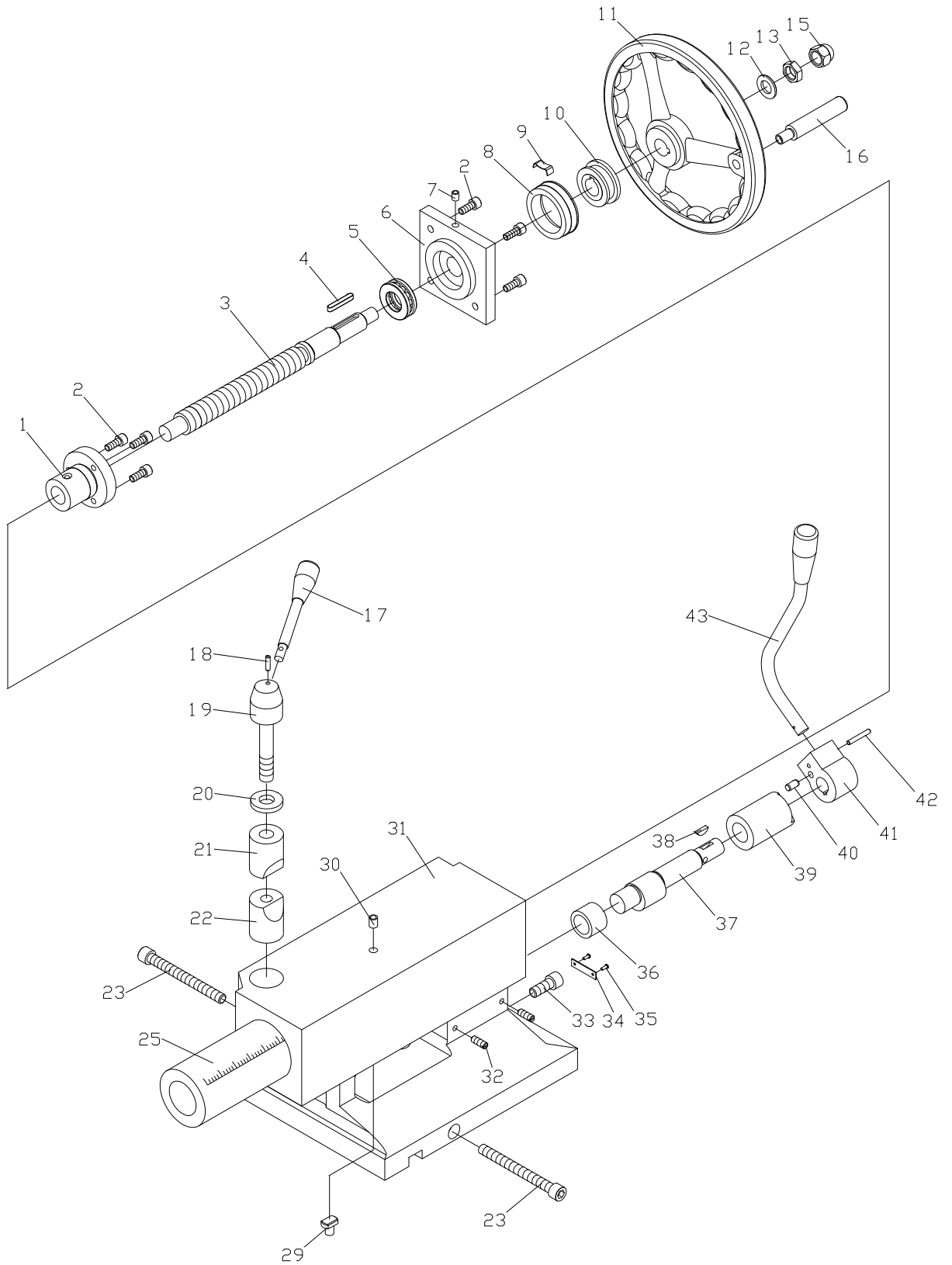
# Apron Assembly III



## Tailstock Assembly I

Index No.	Part No.	Description	Size	Qty.
1	GH1640ZX03105	Nut		1
2	GB70	Hex Socket Cap Screw	M8x20	7
3	GH1840ZX03710	Lead Screw		1
4	GB1096	Plain Key	6x40	1
5	51205	Thrust Bearing	25x47x15	1
6	C6250B03105	Back Cover		1
7	GB1155	Oil Cup	8	2
8	GH1640ZX03708G	Dial		1
9	C6132-03711	Spring Leaf		1
10	1440R-03706	Sleeve		1
11	C6140W03107A	Handle Wheel		1
12	GB97	Flat Washer	16	1
13	GB6172	Hex Flat Nut	M16	1
15	GB923	Nut	M16	1
16	C613206710A	Lever		1
17	C6140W03710	Lever		1
18	GB117	Straight Pin	5x20	1
19	C6140W03715	Lever Support		1
20	C6140W03716	Washer		1
21	C6140W03717	Clamping Block		1
22	C6140W03718	Clamping Block		1
23	GB70	Hex Socket Cap Screw	M12x120	2
25	1860R03701A	Center Sleeve		1
29	1440R03702	Positioning Block		1
30	GB1155	Oil Cup	10	1
31	C6266C03101	Tailstock Casting		1
32	GB75	Slotted Cylindrical End Set Screw	M8x25	2
33	GB70	Hex Socket Cap Screw	M12x25	1
34	C613203303	Panel		1
35	GB867	Half Circle Rivet	3x8	4
36	C6140W03103	Sleeve		1
37	C6250B03704	Eccentric Shaft		1
38	GB117	Taper Pin	6x45	1
39	C6250B03103	Sleeve		1
40	GB119	Pin	8x15	1
41	C6250B03104	Lever Sleeve		1
42	GB117	Taper Pin	5x40	1
43	C6250B03705	Lock Handle		1

# Tailstock Assembly I



## Tailstock Assembly II

Index No.	Part No.	Description	Size	Qty.
1	C6140W03110	Nut		1
2	GB6171	Hex Nut	M20x1.5	1
3	GB97	Slotted Pan Head Screw	20	1
4	GB56	Hex Thick Nut	M20	1
5	C6266C03703	Pulling Rod		1
6	C6266C03102	Sliding Base		1
7	C613203302	Sign Plate		1
8	GB867	Half Circle Rivet	3x8	4
9	GB75	Slotted Cylindrical End Set Screw	M6x16	4
10	GB308	Steel Ball	Φ 4	4
11	C6140W03711	Washer		4
12	C6140W03712	Clamping Block		4
14	C6140W03713	Bearing Support		4
15	C6140W03714	Small Axle		4
16	607	Ball Bearing	7x19x6	4
17	C6140W03502	Wipe Plate		1
18	GB67	Slotted Pan Head Screw	M6x10	4
19	C6140W03503	Wipe Plate		1
20	C6140W03104	Clamping Block		1
21	C6266C03702	Screw		1
22	C6140W03111	Clamping Block		1
23	C6266C03701	Screw		1
24	GB119	Straight Pin	5x10	1
25	GB849	Ball Washer	20	1
26	GB850	Taper Washer	20	1
27	GB6173	Hex Nut	M20x1.5	2

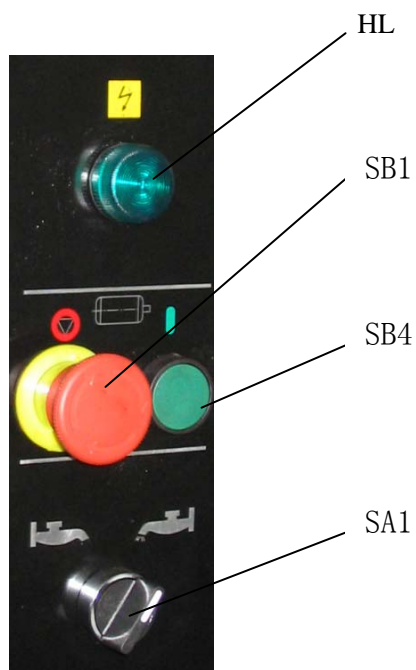
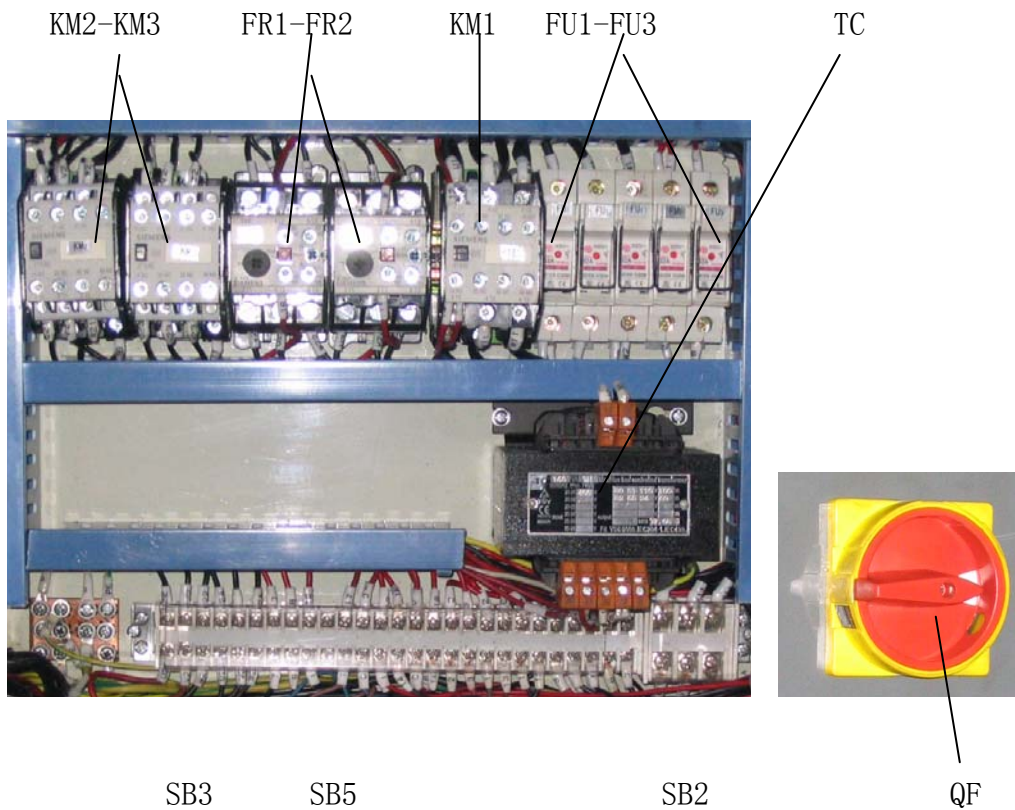




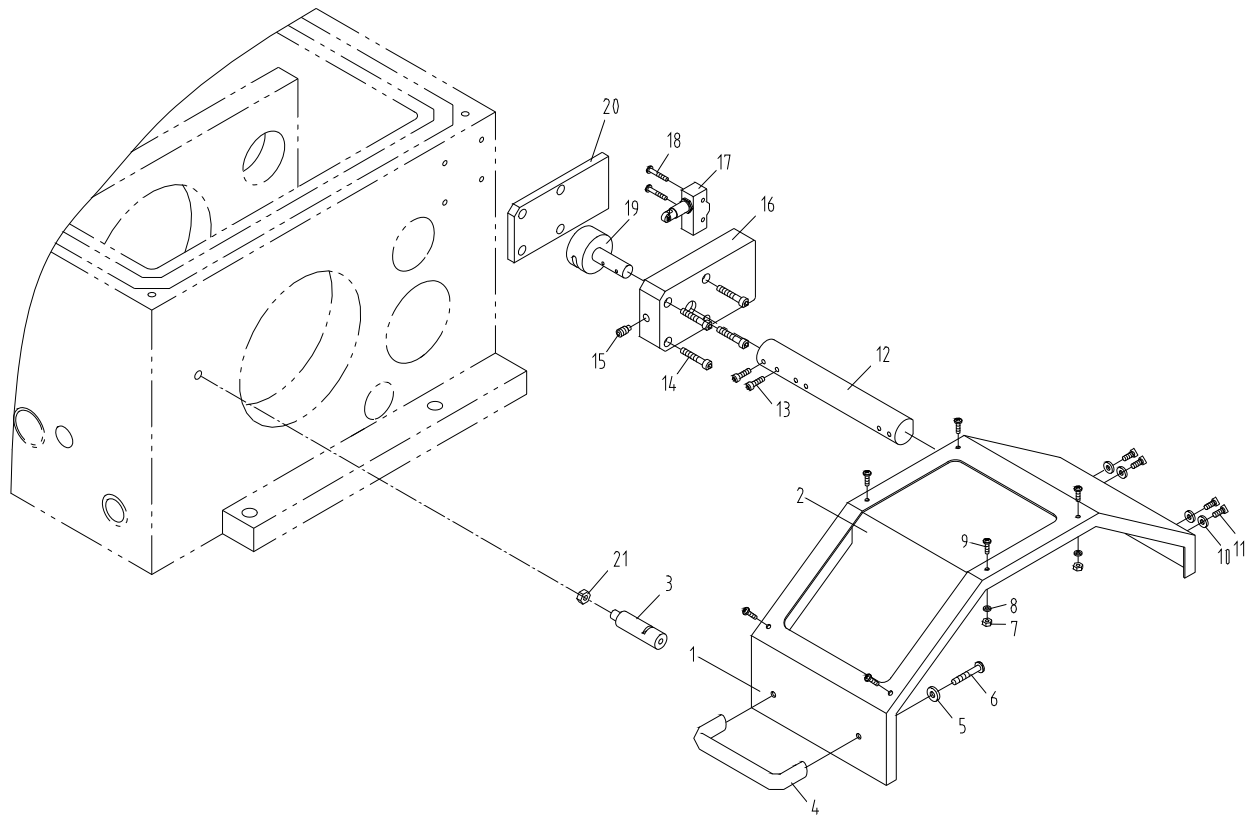


### List of electric elements

Code	Description	Model	Specifications	Qty
M1	Main motor	Y132M-4TH/B3	3~400V 60HZ, 7.5KW, 1730r/min	1
M2	Rapid feed motor	YSS5634	3~400V 60HZ, 370W, 1730r/min	1
M3	Coolnat pump	ZX-CW04E	3~400V 60HZ, 90W	1
QF	Automatic switch	JFD11	3 phase, 40A	1
TC	Control transformer	JBK5-160TH	400V/110V、24V	1
FR1	Thermal relay	3UA59	0.25-0.4A	1
FR2	Thermal relay	3UA59	1.6-2.5A	1
KM1	a. c. contactor	3TB43	Coil voltage 110V, 22A	1
KM2、KM3	a. c. contactor	3TB40	Coil voltage 110V, 9A	2
	Fuse Base	RT18-32X		5
FU1	Fuse	RT14	4A	3
FU2	Fuse	RT14	2A	1
FU3	Fuse	RT14	3A	1
θ	Thermally sensitive relay	JW6-125°C	Working temperature 125°C	1
SQ1	Door switch	QKS8		1
SQ2	Limit switch	JW2-11H/W1		1
SQ3	Stroke switch	LXW5-11Q1		1
SQ4	Stroke switch	LXW5-11Q1		1
SB1、SB3	EMG Stop Button	ZB2-BS54C	Red	2
SB2	Rapid Travel Button	XB2BD53C	Green	1
SB4、SB5	Button	XB2-EA131	Green	2
SA1	Turning switch	ZB2-BD2C	Black	1
EL	Machine lamp	JC38-B		1
	Bulb		24V, 40W	1
HL	Indictor light	XB2EV163	24V, Green	1

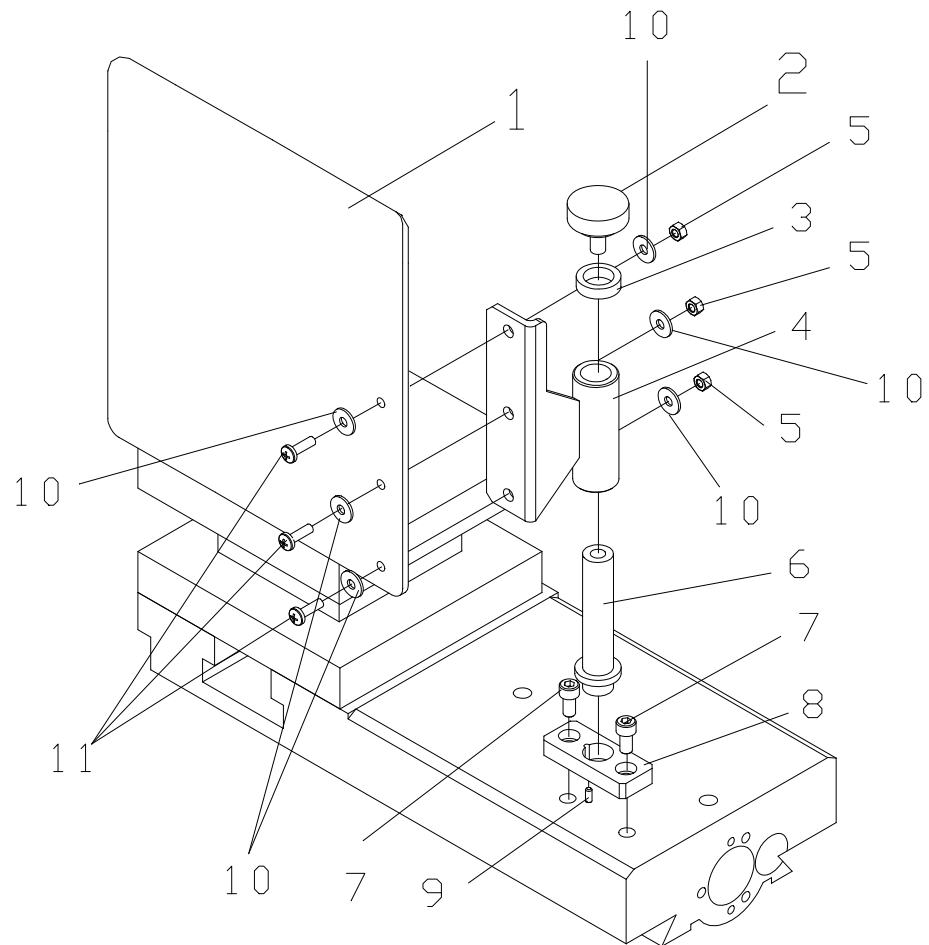


## Chuck Guard Assembly



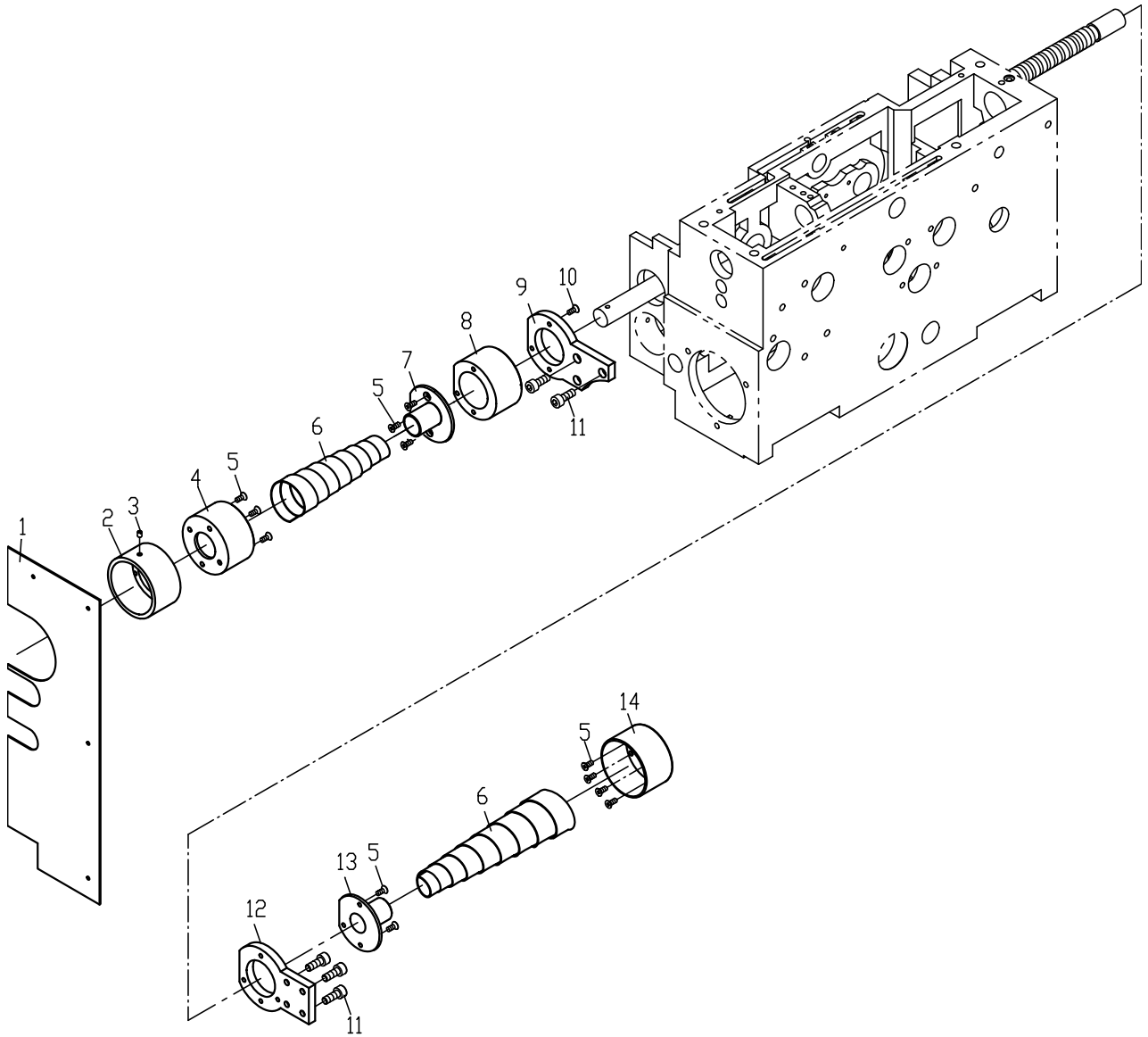
Index No.	Part No.	Description	Size	Qty.
1	C6266C19701B	Protection guard(serial # 0803ZH0086 and lower)		1
	GH1640ZX19701	Protection guard(serial # 0803ZH0087 and higher)		1
2	ZX19501E	Protection guard visual glass		1
3	ZX19704E	Fixing rod		1
4	ZXS04E	Handle	Z96-6	1
5	ZXS05E	Plain washers	6	2
6	ZXS06E	Cross-recessed pan head screws	M6x12	2
7	ZXS07E	Hexagon thin nuts	M4	6
8	ZXS08E	Plain washers	4	6
9	ZXS09E	Cross-recessed pan head screws	M4x12	6
10	ZXS10E	Plain washers	5	4
11	ZXS11E	Hexagon socket cap head screws	M5x16	4
12	ZX19703E	Rest bar		1
13	ZXS13E	Slotted set screws	M8x10	2
14	ZXS14E	Hexagon socket cap head screws	M6x35	4
15	ZXS15E	Hexagon socket set screws	M8x16	1
16	GH1440A19101E	Switch box		1
17	SQ4E	Stroke switch	LXW5-11Q1	1
18	ZXS18E	Slotted pan head screws	M4x25	2
19	ZX19702E	Shaft		1
20	ZX19502E	Washer		1
21	C6266CCGA21	Nut	M8	1

## Tool Post Protection Device



Index No.	Part No.	Description	Size	Qty.
1	C6266C20501B	Shield		1
2	GH1640ZX20701	Clamping Screw		1
3	GH1640ZX20703	Washer		1
4	GH1640ZX20704	Sleeve		1
5	GB6170	Nut	M6	3
6	GH1640ZX20705-1	Bracket		1
7	GB70	Hex Socket Cap Screw	M8x16	2
8	GH1640ZX20705-2	Bracket		1
9	GB71	Slotted Set Screw	M4x8	1
10	GB97	Washer	6	6
11	GB818	Cross Recessed Pan Head Screw	M6x20	3

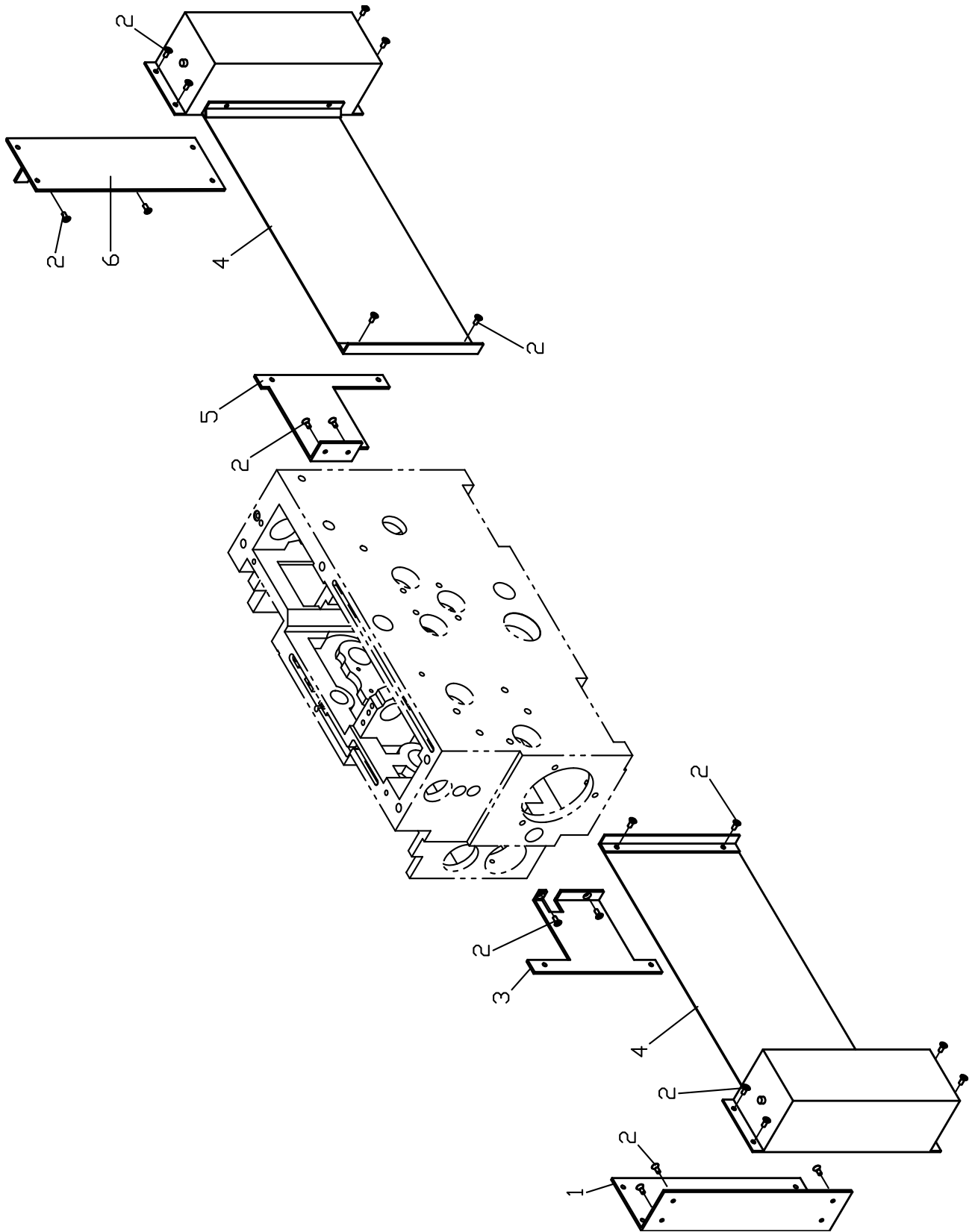
# Lead Screw Guard Assembly



## Lead Screw Guard Assembly

Index No.	Part No.	Description	Size	Qty.
1	C6266C07704	Side Plate		1
2	C6266C07701-1	Connect Sleeve		1
3	GB73	Set Screw	M5x8	1
4	1440R07704	Sleeve		1
5	GB819	Cross Recessed Head Screw	M5x12	13
6	LGB-45-1000-100	Telescoping Sheet Cover (GH-2640ZH)		2
	LGB-45-1500-150	Telescoping Sheet Cover (GH-2660ZH)		2
	LGB-45-2000-120	Telescoping Sheet Cover (GH-2680ZH)		2
7	1440R07702A	Flange		1
8	1440R07706A	Sleeve		1
9	C6266C07702A	Left Support		1
10	GB819	Cross Recessed Head Screw	M5x18	3
11	GB70	Hex Socket Cap Screw	M6x16	7
12	C6266C07703	Right Support		1
13	1440R07702A	Flange		1
14	1440R07705A	Right Flange		1

# Lead Screw Guard Assembly For GH-26120ZH



**Lead Screw Guard Assembly  
For GH-26120ZH**

<b>Index No.</b>	<b>Part No.</b>	<b>Description</b>	<b>Size</b>	<b>Qty.</b>
1	C6266C07705	Front Left Support		1
2	GB819	Cross Recessed Head Screw	M4x6	20
3	C6266C07706	Front Right Support		1
4	C6266CLSG004	Roll-up Cover	3000	2
5	C6266C07707	Back Left Support		1
6	C6266C07708	Back Right Support		1



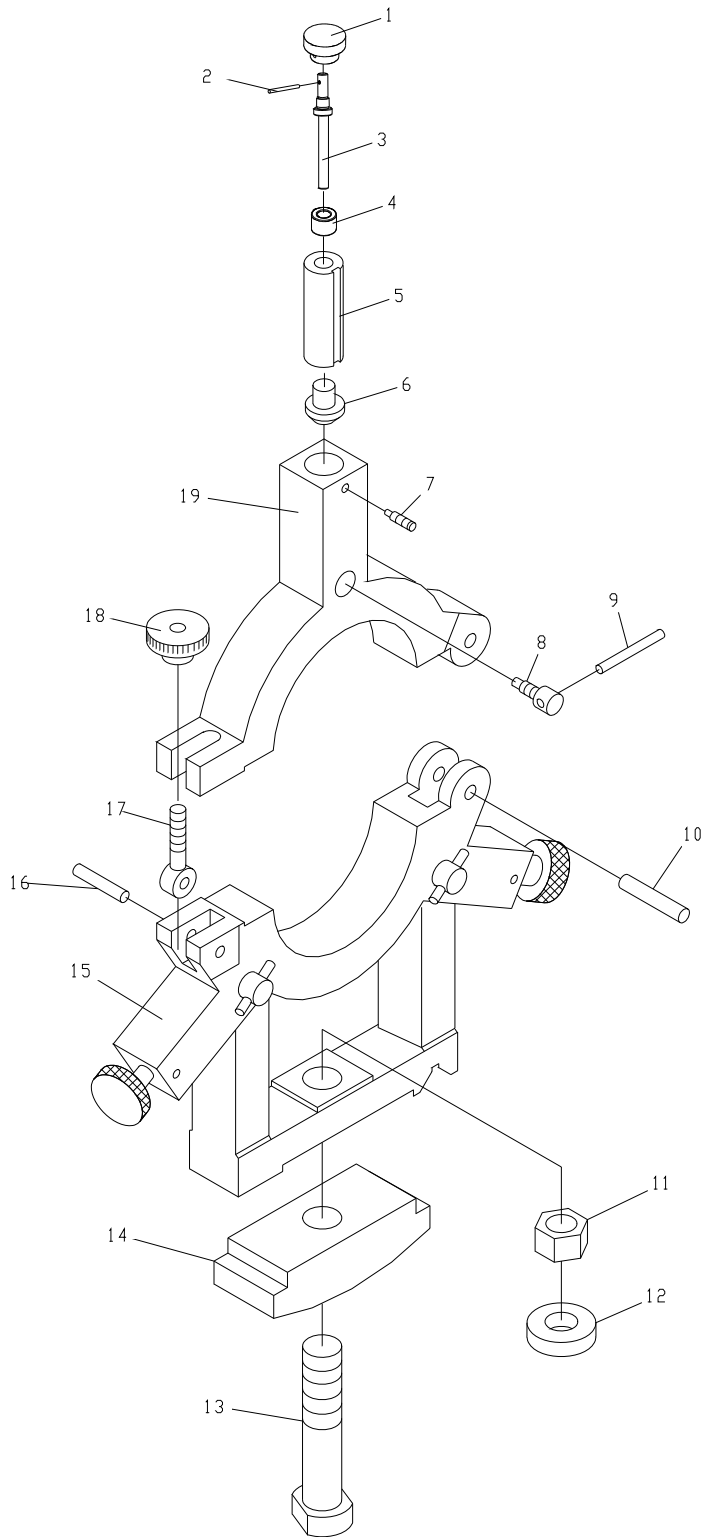
## Steady Rest Assembly(Small)

Index No.	Part No.	Description	Size	Qty.
1	GB4141.29	A Type Asterisk Handle	Φ 12	3
2	GB117	Pin	4X25	3
3	C6140W10702	Screw		1
4	C6140W10703	Nut		1
5	C6140W10705	Sliding Sleeve		1
6	C6140W10301	Block		1
7	GB75	Slotted Cylindrical End Set Screw	M10X16	3
8	C6140W10704	Set Screw		3
9	GB119	Pin	A6X45	3
10	GB119	Pin	A16X55	1
11	GB56	Hex Extra Thick Nut	M20	1
12	GB97.2	Washer	20	1
13	C6140W10706	Square Head Bolt		1
14	C6140W10104	Clamping Plate		1
15	C6266C10A101	Steady Rest Lower Body		1
16	GB119	Pin	A8X55	1
17	C6140W10701	Screw		1
18	GB4141.29	B Type Asterisk Handle	M12	1
19	C6140W10102	Steady Rest Upper Body		1

## Steady Rest Assembly(Large)

Index No.	Part No.	Description	Size	Qty.
1	GB4141.29	A Type Asterisk Handle	Φ 12	3
2	GB117	Pin	4X25	3
3	C6266C10702	Screw		1
4	C6266C10701	Nut		1
5	C6266C10703	Sliding Sleeve		1
6	C6266C10301	Block		1
7	GB75	Slotted Cylindrical End Set Screw	M10X16	3
8	C6140W10704	Set Screw		3
9	GB119	Pin	A6X45	3
10	GB119	Pin	A16X55	1
11	GB56	Hex Extra Thick Nut	M20	1
12	GB97.2	Washer	20	1
13	C6140W10706	Square Head Bolt		1
14	C6140W10104	Clamping Plate		1
15	C6266C10101	Steady Rest Lower Body		1
16	GB119	Pin	A8X55	1
17	C6140W10701	Screw		1
18	GB4141.29	B Type Asterisk Handle	M12	1
19	C6266C10102	Steady Rest Upper Body		1

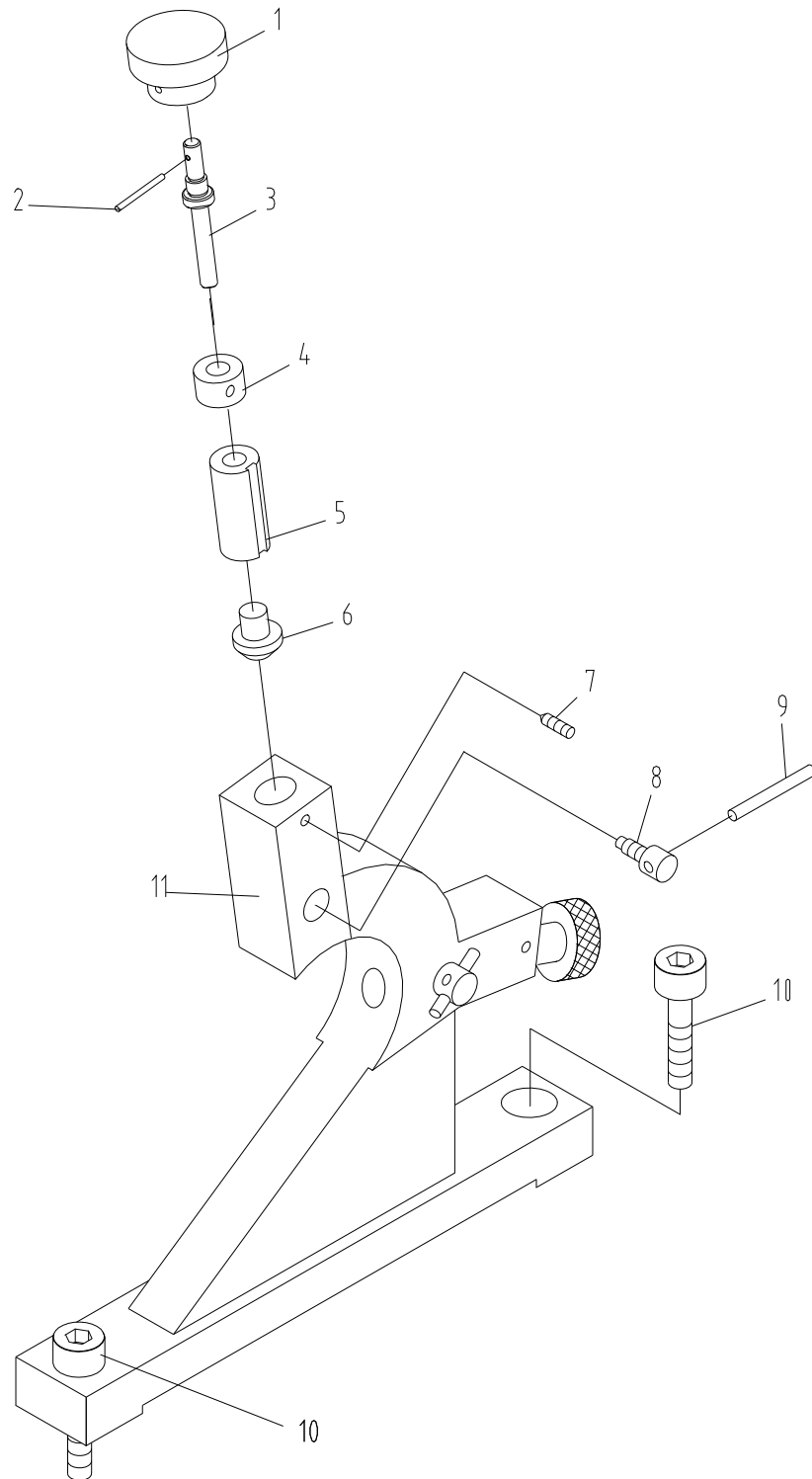
# Steady Rest Assembly



## Follow Rest Assembly

Index	Part			
No.	No.	Description	Size	Qty.
1	GB4141.29	A Type Asterisk Handle	Φ 12	1
2	GB117	Pin	4X25	1
3	C6266C10705	Screw		1
4	C6266C10704	Nut		1
5	C6266C10706	Sliding Sleeve		1
6	C6266C10302	Block		1
7	GB75	Slotted Cylindrical End Set Screw	M10X16	2
8	C6140W10704	Set Screw		2
9	GB119	Pin	A6X45	2
10	GB70	Hex Socket Cap Screw	M16X55	2
11	C6266C10103	Follow Rest Casting		1

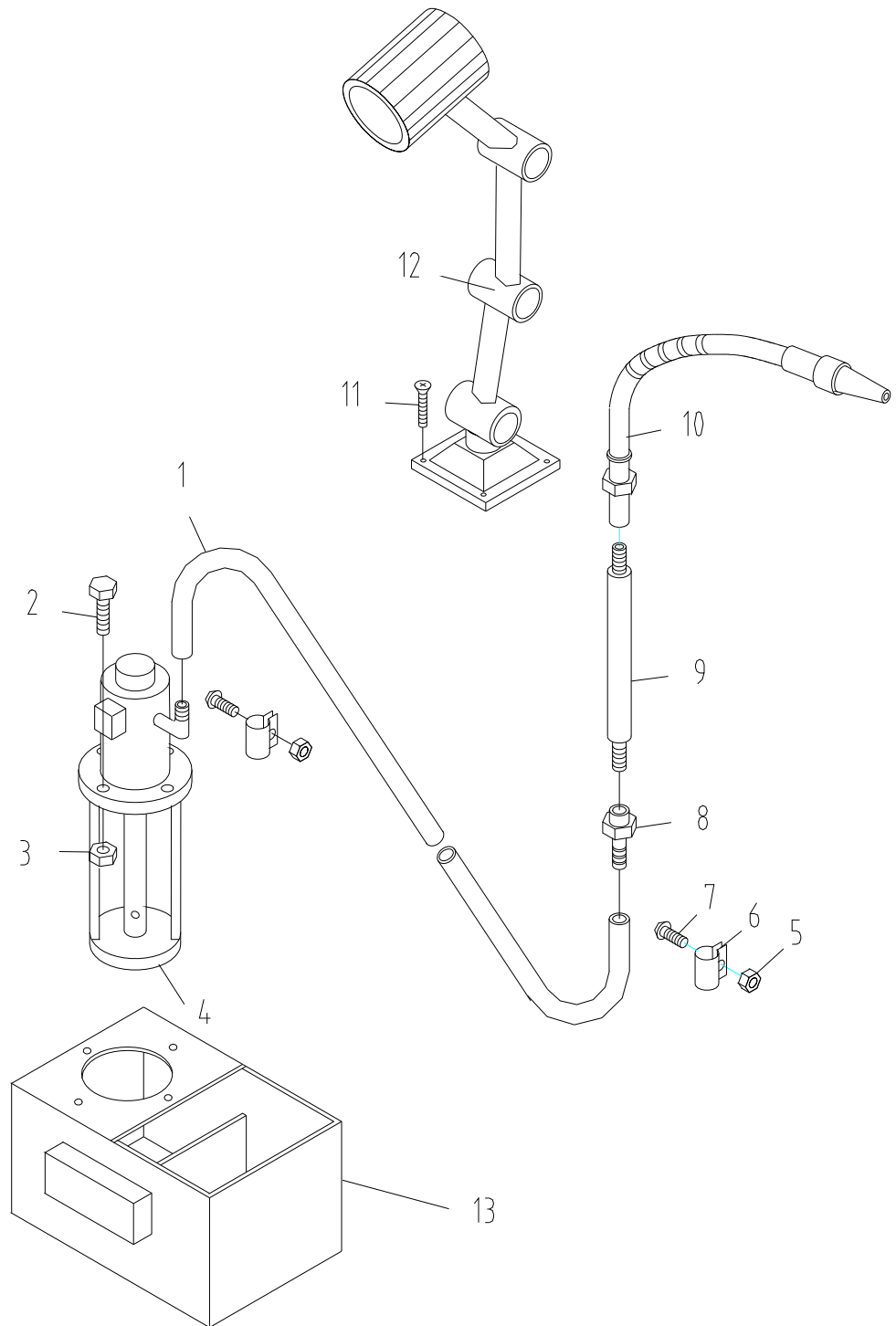
# Follow Rest Assembly



## Coolant & Work Light Assembly

Index	Part			
No.	No.	Description	Size	Qty.
1	AB-25	Rubber Tube	ID 1/2" × 2280	1
2	GB5782	Hexagon Head Bolt	M5 × 20	4
3	GB41	Hex Nut	M5	4
4	AB-25	Coolant Pump	1/8HP	1
5	GB41	Hex Nut	M6	2
6	C613601727	Clip For Rubber Tube		1
7	GB818	Cross Recessed Pen Head Screw	M6 × 20	2
8	C6140W01731	Fitting		1
9	C6140W01730	Flow Pipe		1
10	AB-25	Coolant Tube	1/2" × 16 × 700	1
11	GB70	Hex Socket Cap Screw	M6 × 20	4
12	JC52	Light	24V 25W/50W	1
13	ZX01510	Coolant Tank		1

# Coolant & Work Light Assembly



## Micro Carriage Stop

Index	Part			
No.	No.	Description	Size	Qty.
1	GB5781	Hexagon Head Bolt	M12×35	1
2	C6266C01112	Clamping Plate		1
3	C6266C01111	Stop		1
4	GB119	Pin	12×40	1

