

GB - ENGLISH

Operating Instructions

Dear Customer,

Many thanks for the confidence you have shown in us with the purchase of your new JET-machine. This manual has been prepared for the owner and operators of a JET GH-2040/ 2060/ 2080/ 2640/ 2660/ 2680/ 26120 ZH metal lathe to promote safety during installation, operation and maintenance procedures. Please read and understand the information contained in these operating instructions and the accompanying documents. To obtain maximum life and efficiency from your machine, and to use the machine safely, read **this manual thoroughly and follow instructions carefully.**

...Table of Contents

1. Declaration of conformity
2. Warranty
3. Safety
4. Machine specifications
5. Transport and start up
6. Machine operation
7. Setup and adjustments
8. Main machine component description
9. Maintenance and inspection
10. Trouble shooting
11. Environmental protection
12. Available accessories

1. Declaration of conformity

On our own responsibility we hereby declare that this product complies with the regulations* listed on page 2. Designed in consideration with the standards**.

2. Warranty

The Seller guarantees that the supplied product is free from material defects and manufacturing faults. This warranty does not cover any defects which are caused, either directly or indirectly, by incorrect use, carelessness, accidental damage, repair, inadequate maintenance or cleaning and normal wear and tear.

Guarantee and/or warranty claims must be made within twelve months from the date of purchase (date of invoice). Any further claims shall be excluded.

This warranty includes all guarantee obligations of the Seller and replaces all previous declarations and agreements concerning warranties.

The warranty period is valid for eight hours of daily use. If this is exceeded, the warranty period shall be reduced in proportion to the excess use, but to no less than three months.

Returning rejected goods requires the prior express consent of the Seller and is at the Buyer's risk and expense.

Further warranty details can be found in the General Terms and Conditions (GTC). The GTC can be viewed at www.jettools.com or can be sent by post upon request.

The Seller reserves the right to make changes to the product and accessories at any time.

3. Safety

3.1 Authorized use

This metal lathe is designed for turning and drilling machinable metal and plastic materials only. Machining of other materials is not permitted and may be carried out in specific cases only after consulting with the manufacturer.

**Never cut magnesium-
high danger to fire!**

The workpiece must allow to safely be loaded and clamped.

The proper use also includes compliance with the operating and maintenance instructions given in this manual.

The machine must be operated only by persons familiar with its operation and maintenance and who are familiar with its hazards.

The required minimum age must be observed.

The machine must only be used in a technically perfect condition.

When working on the machine, all safety mechanisms and covers must be mounted.

In addition to the safety requirements contained in these operating instructions and your country's applicable regulations, you should observe the generally recognized technical rules concerning the operation of metalworking machines.

Any other use exceeds authorization.

In the event of unauthorized use of the machine, the manufacturer renounces all liability and the responsibility is transferred exclusively to the operator.

3.2 General safety notes

Metalworking machines can be dangerous if not used properly. Therefore the appropriate general technical rules as well as the following notes must be observed.

Read and understand the entire instruction manual before attempting assembly or operation.

Keep this operating instruction close by the machine, protected from dirt and humidity, and pass it over to the new owner if you part with the tool.

No changes to the machine may be made.

Daily inspect the function and existence of the safety appliances before you start the machine.

Do not attempt operation in this case, protect the machine by unplugging the power cord.

Remove all loose clothing and confine long hair.

Before operating the machine, remove tie, rings, watches, other jewellery, and roll up sleeves above the elbows.

Wear safety shoes; never wear leisure shoes or sandals.

Always assure a safe stands.

Always wear the approved working outfit.

Do **not** wear gloves.

Wear goggles when working

Install the machine so that there is sufficient space for safe operation and work piece handling.

Keep work area well lighted.

The machine is designed to operate in closed rooms and must be placed stable on firm and levelled ground.

Make sure that the power cord does not impede work and cause people to trip.

Keep the floor around the machine clean and free of scrap material, oil and grease.

Stay alert! Give your work undivided attention. Use common sense. Do not operate the machine when you are tired.

Keep an ergonomic body position.

Maintain a balanced stance at all times.

Do not operate the machine under the influence of drugs, alcohol or any medication. Be aware that medication can change your behaviour.

Never reach into the machine while it is operating or running down.

Never leave a running machine unattended. Before you leave the workplace switch off the machine.

Keep children and visitors a safe distance from the work area.

Do not operate the electric tool near inflammable liquids or gases.

Observe the fire fighting and fire alert options, for example the fire extinguisher operation and place.

Do not use the machine in a damp environment and do not expose it to rain.

Work only with well sharpened tools.

Always close the chuck guard, tool post guard and pulley cover before you start the machine.

Remove the chuck key and wrenches before machine operation.

Specifications regarding the maximum or minimum size of the work piece must be observed.

Do not remove chips and work piece parts until the machine is at a standstill.

Do not stand on the machine.

Connection and repair work on the electrical installation may be carried out by a qualified electrician only.

Have a damaged or worn power cord replaced immediately.

Never place your fingers in a position where they could contact any rotating parts or chips.

Check the safe clamping of the work piece before starting the machine.

Don't exceed the clamping range of the chuck.

Work pieces longer than 3 times the chucking diameter need to be supported by the tailstock or a steady rest.

Avoid small chucking diameters at big turning diameters.

Avoid short chucking lengths.

Avoid small chucking contact.

Never exceed the max speed limitation of the work holding device.

Choose a small spindle speed when working unbalanced work pieces and for threading and tapping operations.

Any work piece stock extending the rear end of the headstock must be covered on its entire length. High danger of injury!

Long work pieces may need a steady rest support. A long and thin work piece can suddenly bend at high speed rotation.

Never move the tailstock or tailstock quill while the machine is running.

Remove cutting chips with the aid of an appropriate chip hook when the machine is at a standstill only.

Never stop the rotating chuck or work piece with your hands.

Measurements and adjustments may be carried out when the machine is at a standstill only.

Setup, maintenance and repair work may only be carried out after the machine is protected against accidental starting by pulling the mains plug.

3.3 Remaining hazards

When using the machine according to regulations some remaining hazards may still exist.

The rotating work piece and chuck can cause injury.

Thrown and hot work pieces and cutting chips can lead to injury.

Chips and noise can be health hazards. Be sure to wear personal protection gear such as safety goggles and ear protection.

The use of incorrect mains supply or a damaged power cord can lead to injuries caused by electricity.

4. Machine specifications

4.1 Technical data

GH-2040 / 2060 / 2080 ZH:

Swing over bed	500mm
Swing over bed gap	720mm
Length of bed gap	240mm
Swing over cross slide	310mm
Centre distance	1015/ 1530/ 2030mm
Width of bed	405mm
Spindle taper	MT-7
Spindle nose DIN 55029 (Camlock)	D1-8
Hole through spindle	Ø80 mm
Spindle speeds...24	9-1600 rpm
Tailstock ram travel	150mm
Tailstock taper	MT5
Max tailstock cross displacement	+/-15mm
Steady rest capacity	50 – 200mm
Follow rest capacity	20 – 100mm
Cross slide travel	310mm
Top slide travel	145mm
Tool size max	25 x 25 mm
Longitudinal feeds 65	0,063–2,52mm/r
Cross feeds 65	0,027–1,07mm/r
Metric threads...46	1–224mm/r
Inch threads...46	28 – 1/8 TPI
Modular Pitch 42	0,5 – 112MP
Diametral Pitch 45	56 – 1/4 DP
Lead screw pitch	12mm
Coolant tank capacity	15 L
Overall L x W x H	2500 / 3000 / 3500 x 1280 x 1410mm
Net weight	2750 / 3000 / 3250 kg
Main motor output power	7,5 kW (10 HP) S1
Reference current	18A
Extension cord	(H07RN-F) 4x4mm ²
Installation fuse protection	25A

GH-2640 / 2660 / 2680 / 26120 ZH:

Swing over bed	660mm
Swing over bed gap	870mm
Length of bed gap	240mm
Swing over cross slide	420mm
Max cutting dia for disc parts	520mm
Centre distance	1015/ 1530/ 2030 / 3050mm
Width of bed	405mm
Spindle taper	Ø113m 1:20
Spindle nose DIN 55029 (Camlock)	D1-8
Hole through spindle	Ø105 mm
Spindle speeds...12	36-1600 rpm
Tailstock ram travel	150mm
Tailstock taper	MT5
Max tailstock cross displacement	+/-15mm
Steady rest capacity	100 – 240mm
Follow rest capacity	20 – 100mm
Cross slide travel	310mm
Top slide travel	145mm
Tool size max	25 x 25 mm
Longitudinal feeds 65	0,063–2,52mm/r
Cross feeds 65	0,027–1,07mm/r
Metric threads...22	1–14mm/r
Inch threads...25	28 – 2 TPI
Modular Pitch 18	0,5 – 7MP
Diametral Pitch 24	56 – 4 DP
Lead screw pitch	12mm
Coolant tank capacity	15 L
Overall L x W x H	2500 / 3000 / 3500 / 4500 x 1100 x 1450mm
Net weight	2750 / 3145 / 3870 / 4250 kg
Main motor output power	7,5 kW (10 HP) S1
Reference current	18A
Extension cord	(H07RN-F) 4x4mm ²
Installation fuse protection	25A

4.2 Noise emission

Acoustic pressure level (according to EN ISO 11202):

Idling at maximum speed LpA 82,4 dB(A)

The specified values are emission levels and are not necessarily to be seen as safe operating levels.

As workplace conditions vary, this information is intended to allow the user to make a better estimation of the hazards and risks involved only.

4.3 Content of delivery

GH-2040 / 2060 / 2080 ZH:

6 Leveling pads
Splash guard
Tool post guard
Chuck guard with limit switch
250mm 3-jaw universal chuck with basic and reversing jaws
320mm 4-jaw independent chuck
400mm faceplate
Four way tool post with indexing function
Steady rest
Follow rest
Foot brake with limit switch
Coolant system
Halogen work light
MT-5 life centre
MT-5 fixed centre
MT-7/ MT-5 reduction sleeve
Threading dial
Stop shaft with 5 adjustable cams (switch off of longitudinal feed)
Operating tools in tool box
Oil can
Operating manual
Spare parts list.

GH-2640 / 2660 / 2680 / 26120 ZH:

6 Leveling pads
Splash guard
Tool post guard
Chuck guard with limit switch
325mm 3-jaw universal chuck with basic and reversing jaws
400mm 4-jaw independent chuck
630mm faceplate
250mm drive plate
Four way tool post with indexing function
Steady rest
Follow rest
Foot brake with limit switch
Coolant system
Halogen work light
MT-5 life centre
MT-5 fixed centre
MT-5/ Ø113mm reduction sleeve
Threading dial
Stop shaft with 5 adjustable cams (switch off of longitudinal feed)
Operating tools in tool box
Oil can
Operating manual
Spare parts list.

4.4 Machine description

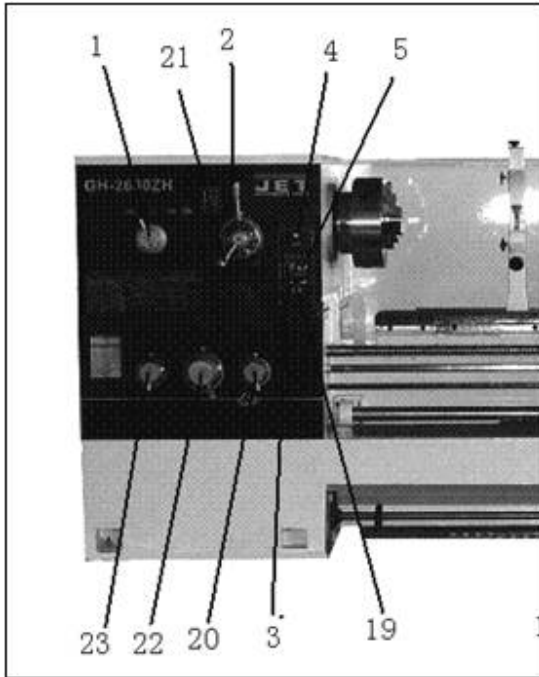


Fig 1

- 1...Thread pitch lever
- 2...Speed change lever
- 3... Emergency Stop button
- 4...Push-button of cooling Pump
- 5...Main Motor Start button
- 6...Lamp Switch
- 7...Tool Post Clamp Lever
- 8...Coolant Delivery cock
- 9...Compound-rest knob
- 10...Quill Clamp Lever
- 11....Quill Clamp Lever

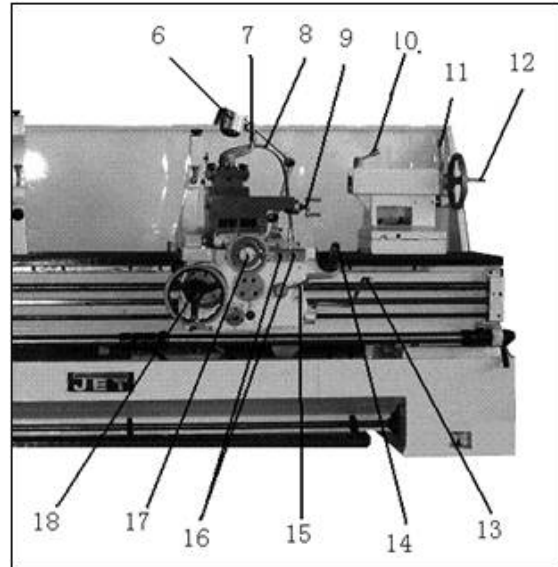


Fig 2

- 12...Tailstock quill Hand wheel
- 13...Spindle Forward / OFF / Reverse Clutch Lever
- 14...Feeding and rapid speed Lever
- 15...Half Nut Lever
- 16...Main Motor Start /Stop Button
- 17...Cross feed Lever
- 18...Carriage Hand wheel
- 19...Power Switch
- 20....Feeding Speed Lever
- 21....Speed Change Lever
- 22...Feed Change Lever
- 23...Thread Selector Lever

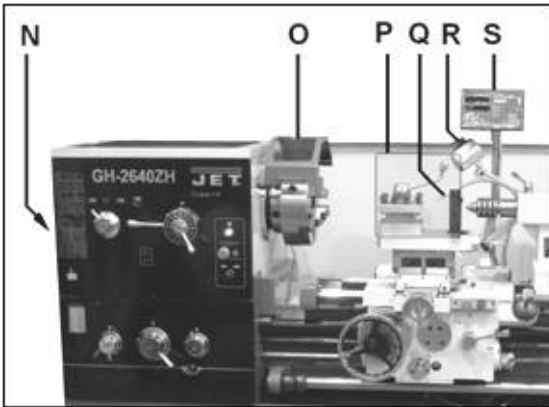


Fig 3

- N....Pulley cover
- O.....Chuck guard
- P....Tool post guard
- Q.....Coolant nozzle
- R.....Halogen machine light
- S.....3-axis digital readout (option)

5. Transport and start up

5.1 Transport and installation

The machine will be delivered in a closed crate.

For transport use a forklift or hand trolley. Make sure the machine does not tip or fall off during transport.

The machine is designed to operate in closed rooms and must have sufficient floor space to operate it and to have access from all sides.

5.2 Assembly

If you notice transport damage while unpacking, notify your supplier immediately. Do not operate the machine!

Dispose of the packing in an environmentally friendly manner.

Clean all rust protected surfaces with petroleum, diesel oil or a mild solvent.

Unbolt the lathe from the shipping crate bottom.

Move the tailstock to the tailstock end of the bed

Place 2 steel rods of sufficient strength into 2 holes of lathe base.

Sling the lathe with properly rated straps (Fig 4)

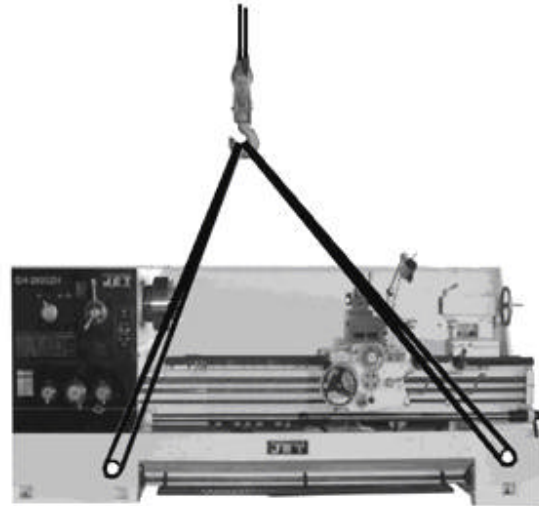


Fig 4

Move the saddle and tailstock to the tailstock end of the bed and lock in place.

Caution:

The machine is heavy!

GH 2040 ZH	2750 kg
GH 2060 ZH	3000 kg
GH 2080 ZH	3250 kg
GH 2640 ZH	2750 kg
GH 2660 ZH	3145 kg
GH 2680 ZH	3870 kg
GH 26120 ZH	4250 kg

Use great care.

Assure the sufficient load capacity and proper condition of your lifting devices.

Never step underneath suspended loads.

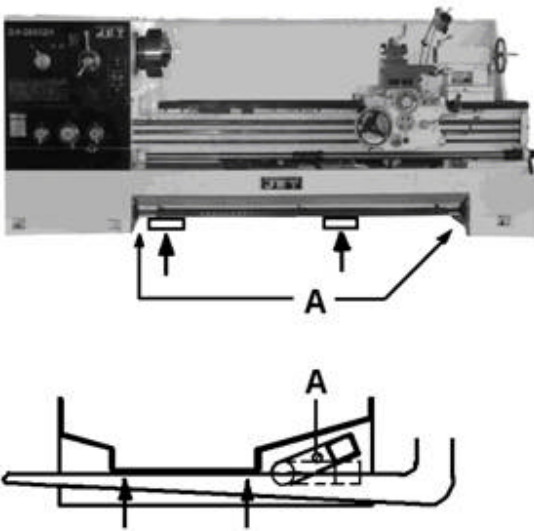


Fig 5

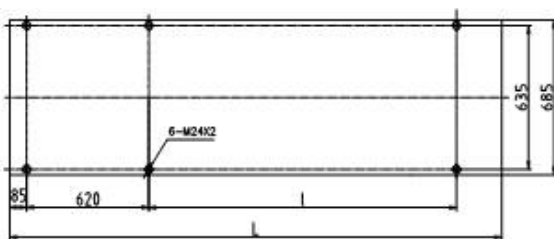
To lift the machine by forklift (Fig 5), the 2 foot pedal upper stroke limit screws (A) must be removed, so that the foot pedal can swing up freely and give space for the forks.

Attention:

The machine is left weighted. The center of weight is near the headstock.

Foundation:

The machine should be mounted on a solid foundation.

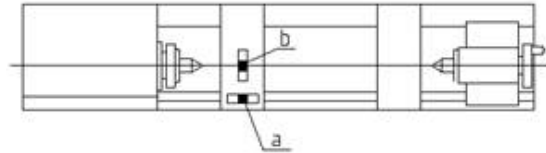


GH-2040-2640 / 2060-2660 / 2080_2680 / 26120 ZH

Size	1000	1500	2000	3000
I	1560	2060	2560	3560
L	2495	2995	3495	4495

Levelling:

Use a machinist's precision level on the bed ways and check to make sure that the lathe bed is level.



The lathe bed must be level to be accurate.

a) Deviation over bed length max 0,02/1000mm

b) Deviation over bed length max 0,04/1000mm

5.3 Mains connection

Mains connection and any extension cords used must comply with applicable regulations.

The mains voltage must comply with the information on the machine licence plate.

The mains connection must have a 25 A surge-proof fuse.

Only use power cords marked H07RN-F

Connections and repairs to the electrical equipment may only be carried out by qualified electricians.

Connection takes place on the terminal box on the back of the machine.

5.4 Initial lubrication

The lathe must be serviced at all lubrication points and all reservoirs filled to operating level before the lathe is placed into service!

Failure to comply may cause serious damage to the lathe!

(see chapter 8 for lubrication).

After one month of operation the oil must be changed on headstock, gearbox and apron.

The coolant tank has to be filled with coolant (see chapter 8.7)

5.5 Starting operation

Before starting the machine check the proper chucking (see chapter 6.2).

Before starting the machine be sure that the Forward /OFF / Reverse clutch lever (13, Fig 2) is in neutral position.

All lever positions must be changed only after the machine has been stopped.

Turn ON the main power switch (located on the electric box at the rear of the machine).

You can now start the motor with the main motor Start/Stop button (16, Fig 2)

Check that the motor is running in the correct direction.

You can now start the spindle rotation with the Forward/OFF / Reverse clutch lever (13, Fig 2)

Push the Clutch lever

- right and down for forward rotation
- right and up for backward rotation.

Return the lever to its 0-position to stop the spindle rotation.

The foot break will stop the motor and break down the spindle rotation.

Attention:

Lathe still has electric power.

The emergency stop button (3, Fig 1) stops all machine functions.

Turn emergency stop button clockwise to reset.

Note:

The pulley cover (N, Fig 3) and the chuck guard (O) are limit switch protected. They must be closed to operate the machine.

5.6 Break in procedure:

To allow time for the gears and bearings to break-in and run smoothly, do not run the lathe above 560 rpm for the first 6 hours.

Headstock Clutch:

The headstock clutch is due to wear. To ensure normal working of the spindle, the clutch must be suitably adjusted.

- If the clutch is too loose, it outputs low power and is easy to slip and get hot under load.

- If it is too tight, it becomes difficult to operate and clutch mechanism will not engage properly. Also it will lose the overload protect function.

See chapter 8 for clutch adjustment.

Warning:

Do not operate the machine when you notice power failure due to clutch slipping.

6 Machine Operation

Warning:

Setup work may only be carried out after the machine is protected against accidental starting. With pressed emergency stop button.

Levers may be changed only when the machine has been stopped.

Before starting the machine be sure that the clutch lever (13, Fig 2) is in neutral position.

When the spindle runs, never turn any handle or lever. Spindle speeds can be changed only when the main motor stops. Feed rate can be changed only when the spindle runs at a low speed or stops.

Before starting the spindle, check if each handle or lever is at a correct position to ensure normal engagement of driving gears.

When operating forward/Off/ reverse clutch lever (13, Fig2), be sure to turn it to the right position. Never use "pre-position" for cutting at a reduced speed.

Lead screw is used only for threading instead of longitudinal feeding so that its accuracy can be maintained and service life prolonged.

In threading, the lead screw drives the apron directly and the safety clutch of the apron has lost its protection function. To avoid the machine parts being damaged, be sure to select suitable cutting depth.

When loading or unloading the workpiece or getting away from the machine, the operator must stop the main motor.

6.1 Chucking

Chuck removal:

Before removing the chuck from the spindle, place board across the bed ways under the chuck.

Support the chuck while turning three cam locks $\frac{1}{4}$ turn counter-clockwise.

Line up the two marks (A, Fig 6) for removal.

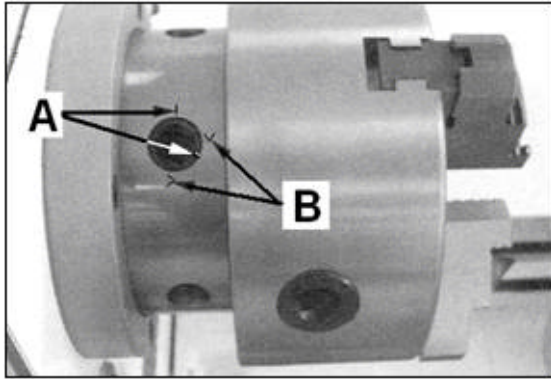


Fig 6

Carefully remove the chuck from the spindle.

Clean all contact surfaces.

Lift the chuck up to the spindle nose and press onto the spindle.

Tighten in place by turning the cam locks ¼ turn clockwise.

The index mark (A) on the camlock should be between the two indicator arrows (B).

If not, adjust the cam studs by turning them in or out by one turn as needed.

Tighten cam locks.

Attention:

Never exceed the max speed limitation of the work holding device.

Jaw teeth and scroll must always be fully engaged. Otherwise chuck jaws may break and fly off in rotation (Fig 7).

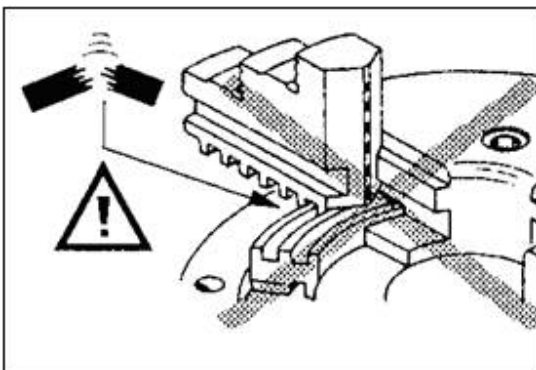


Fig 7

Avoid long workpiece extensions. Parts may bend (Fig 8) or fly off (Fig 9).

Use tailstock or rests to support.

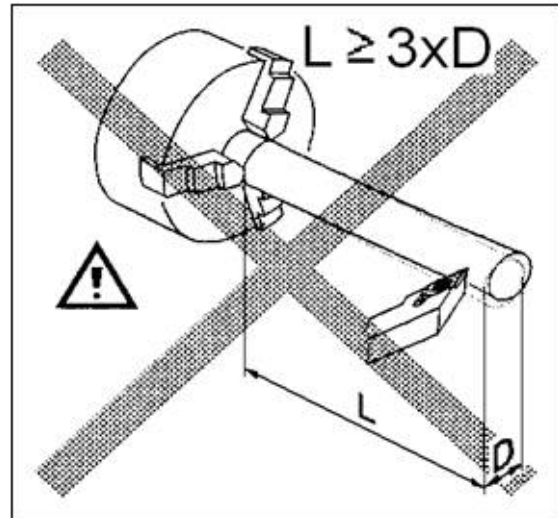


Fig 8

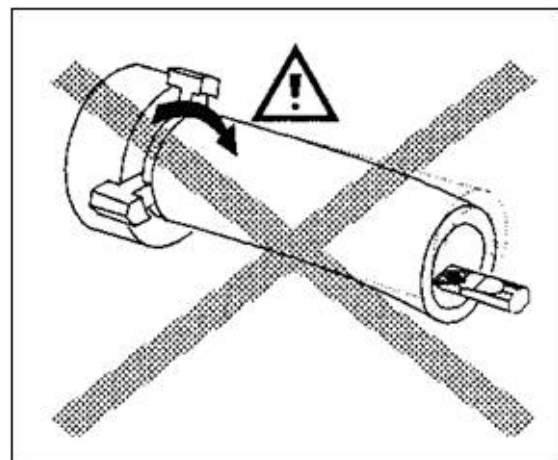


Fig 9

Avoid short clamping contact (A, Fig 10) or clamping on a minor part diameter (B).

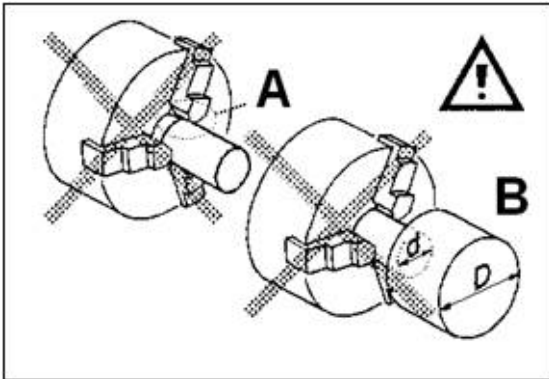


Fig 10

Face locate the workpiece for added support.

6.2 Tool setup

The cutting angle is correct when the cutting edge is in line with the centre axis of the work piece. Use the point of the tailstock centre as a gauge and shims under the tool to obtain the correct centre height.

Use a minimum of two clamping screws when installing the cutting tool to the four way tool post.

Avoid big tool extensions.

6.3 Spindle speeds selection

The correct spindle speed depends on the type of machining, the cutting diameter, the material to be machined and the cutting tool.

These are recommended max. speeds for a 50mm cutting diameter with carbide (HM) tools:

Aluminium, brass	1500 RPM
Cast iron	1000 RPM
Mild steel	800 RPM
High carbon steel	600 RPM
Stainless steel	300 RPM

If high speed steel (HSS) tools are used about 5 times lower speeds must be chosen.

Generally speaking, the larger in relation the cutting diameter, the smaller the possible RPM.

For example:

Turning mild steel at a diameter of 25mm allows a speed of

1600 RPM max.	with carbide tool
320 RPM max.	with HSS tool

To change the spindle speed:

The speed may never be changed when the spindle or motor are still running.

Move the speed select levers (2, Fig 1) according to the speed you desire.

It may be necessary to turn the chuck by hand to help the gears to engage.

6.4 Turning with auto feed

Several automatic longitudinal and cross feeds are readily available by selection on the gearbox levers (20, 22, 23, Fig 1).

Do not shift levers while the machine is running.

Move the feeding lever (14, Fig 2):

- left /right for longitudinal feed.
- up/down for cross feed

The correct feed depends on the material to be cut, the cutting operation, the type of tool, the rigidity of the work piece chucking, the depth of cut and the desired surface quality.

For example:

Longitudinal OD-turning, mild steel of 25mm diameter with a carbide tool at 1200 RPM and with rigid chucking.

Stock removal and roughing cut:

Depth of cut	2mm
Feed per revolution	0,25mm

Finishing cut:

Depth of cut	0,5mm
Feed per revolution	0.1mm

Micro finishing and calibration cut:

Depth of cut	0,2mm
Feed per revolution	0.06mm

When roughing big diameters reduce the depth of cut!

6.5 Rapid traverse

Move the feeding lever (14, Fig 2):

- left /right for longitudinal feed.
- up/down for cross feed

Push the green rapid feed button on top of the lever to speed up the movement.

Rapid longitudinal feed disengages the apron handwheel.

Safety Note:

Rapid cross feed may only be used when the Cross-handwheel is disengaged (pulled) and the handle is layed flat.

6.6 Thread cutting

Threading is performed in multiple passes with a threading tool.

Each depth of cut should be about 0,2mm and become less for the finishing passes.

Set the thread pitch select levers (1, 20, 22, 23, Fig 1) in proper position.

Note:

Coarse threads may only be cut at low spindle speeds.

A) To cut inch and metric threads

Set the machine up for the desired threading pitch and first depth of cut.

Engage the halve nut (15, Fig 2).

The halve nut must be engaged during the entire threading process.

- Start the machine at the lowest spindle speed.
- When the tool reaches the end of cut, stop the motor and at the same time back the tool out of the part so that it clears the thread (Attention inertia: Stop the motor in time)
- Reverse the motor direction to allow the cutting tool to travel back to the starting point.

Repeat these steps until you have obtained the desired results.

B) To cut metric threads with threading dial:

On most metric threads the threading dial can be used.

The halve nut can be opened at the end of cut, rather than the motor being stopped and reversed.

The halve nut may only be engaged at the corresponding graduation match on the threading dial.



For thread pitches of 1 / 1,5 / 2 / 3 / 4 / 6 / 12 mm, the halve nut can be engaged anytime.

(lead screw pitch =12mm =dividable by thread pitch).

6.7 Drilling operation

Use a drill chuck with MT-5 arbour (option) to hold centring drills and twisted drills in the tailstock.

For recommended speeds refer to section 6.4

To eject the drill chuck, fully retract the tailstock quill.

7. Setup and adjustments

Warning:

Setup and adjustment work may only be carried out after the machine is protected against accidental starting.

Turn off the main switch and press the emergency stop button!

7.1 Turning between centres

Mount the workpiece fitted with the drive dog between centres.

The driver is driven by the drive plate (Fig 11).

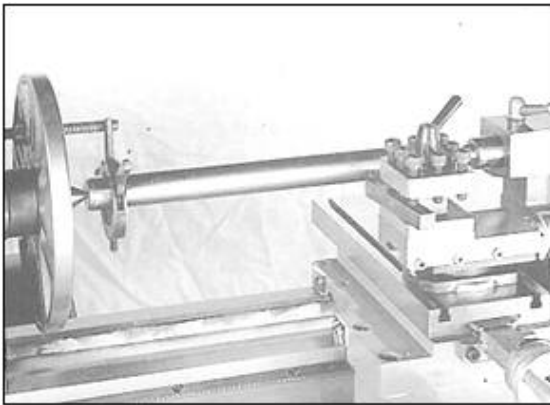


Fig 11

7.2 Taper turning with tailstock

Turning up to a side angle of 5° can be achieved by off-setting the tailstock.

To offset the tailstock (max +/-15mm possible),

Loosen the locking handle, loosen the front adjusting screw and take up the same amount on the rear adjusting screw.

Tighten the adjusting screws and the locking nut to hold the tailstock in position.

The workpiece must be held between centres and driven by the face plate and drive dog.

After taper turning, the tailstock must be returned to its original position.

Turn a test piece and adjust until the machine turns a perfect cylinder.

7.3 Taper turning with top slide

By angling the top slide, tapers may be turned.

Loosen two nuts and rotate the top slide according to the graduated scale.

7.4 Three jaw universal chuck

With this universal chuck, cylindrical, triangular and hexagonal stock may be clamped (Fig 12).

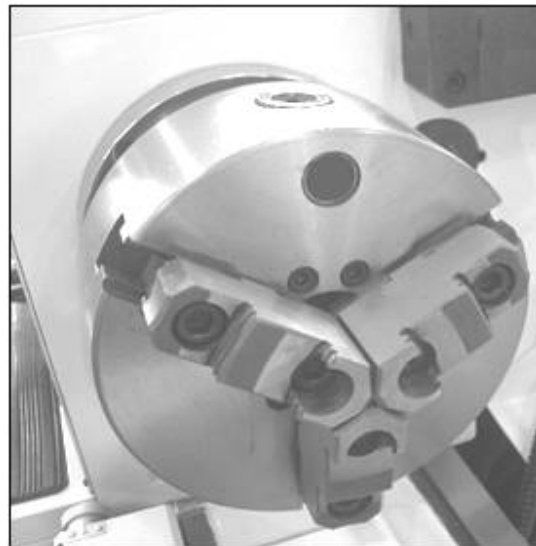


Fig 12

To hold big diameter stock, reverse the top jaws.

Use Molykote Paste G (or adequate grease) to lubricate the jaws.

7.5 Four jaw independent chuck

This chuck has four independently adjustable chuck jaws. These permit the holding of square and asymmetrical pieces and enable the accurate concentric set-up of cylindrical pieces.

7.6 Live centre

The live centre is mounted in ball bearings. Its use is highly recommended for speeds above 200 RPM.

To eject the live centre, fully retract the tailstock quill.

7.7 Steady and follow rest

The steady rest

serves as a support for longer shafts and ensures a safe and chatter free operation.

The steady rest is mounted on the bed way with a locking plate.

Tighten the fingers so that they are snug but not tight against work piece.

Lubricate the fingers to prevent premature wear.

The follow rest

is mounted on the saddle and follows the movement of the tool. It prevents flexing of long and thin work pieces under pressure from the tool.

Set the fingers snug but not overly tight. Lubricate the fingers to prevent premature wear.

7.8 Bed gap removal

Pull the taper pins (A, Fig 13) by tightening the hex nuts.

Remove the screws (B).

Bed gap can now be removed.

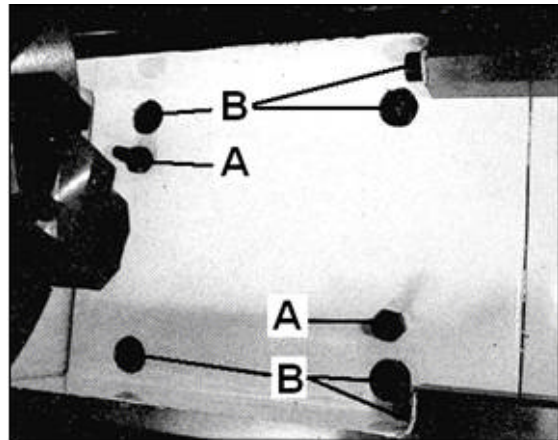


Fig 13

Before you install the bed gap, clean the contacting surfaces thoroughly.

Remove nuts from the taper pins.

Slide taper pins into the holes and seat using a mallet.

Tighten the screws.

7.9 Thread Pitch and Feed Selection

To obtain different thread pitches and different feed settings, four handles 1, 23, 22 and 20 must be used together.

Handle 1 is used to select the hand of thread leads. Because of the overrunning clutch in the apron, the tool post does not feed unless the thread being cut is a right hand one.



Right hand thread, feed



Left hand thread, no feed

Handle 23 is used for the thread type selection. But it is also used for altering the feed speed.

t ----- for Metric threads

n ----- for Inch threads

m ----- for Module threads

DP ----- for Diametric pitches

"-• -"----- Driving the lead screw directly, not through any thread change device.

Handle 22 is used for selecting the pitch and feed.

Handle 20 doubles the pitch and feed

I, II, III, IV: Lead screw works to cut threads.

A, B, C, D: Feed Rod works to do feeding.

Ratios between them:

I: II: III: IV = A:B:C:D = 1:2:4:8

When a thread excluded from thread chart is to be cut, you need to move

handle 23 to “-• -” position

handle 20 to “IV” position

then reset the change gears.

Cautions about the machine operation:

Before starting the machine, check the lubrication of all moving parts.

Be sure that the starting lever is at neutral position.

Turn on the power and the indicator will light.

Then the machine can be started.

Be familiar enough with the machine driving system, the function and changing

Sequence of all operation levers or handles before starting the machine.

Check accuracy of lever position. Be sure that levers are at a fixed position.

All lever positions must be changed only after the machine has been stopped.

8. Main Machine Component Description

Motor and V-Belt Drive:

The main motor is inside the front stand and coolant system inside the rear stand.

The belts V-belts should be suitably adjusted by the adjusting nuts (See Fig 14).

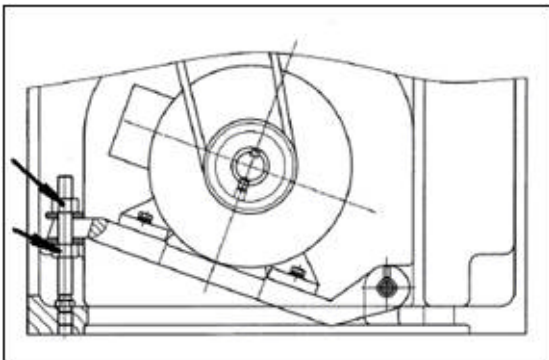


Fig 14

Clutch Type Headstock:

Through a multi-disc friction clutch and different gears, the power is further transmitted to the spindle.

The spindle's forward or reverse motion is controlled by

the clutch.

The clutch allows the manual control of spindle starting and spindle reversing.

The clutch also is an overload protection.

Clutch Adjustment:

To ensure normal working of the spindle, the clutch must be suitably adjusted.

- If the clutch is set too loose, it outputs less power and is easy to slip and get hot.

- If it is set too tight, it becomes difficult to operate the forward/STOP/reverse handle and the clutch will not engage properly.

For forward and reverse rotation the clutch can be adjusted independently.

- Protect the machine against accidental starting. (Lock the main switch in Off-position).

- Remove the headstock cover (is made of plastic, one person can lift it by hand).

- Determine the appropriate clutch

- Use a screwdriver and push in the index pin (B, Fig 15 and Fig 16) ...it is spring loaded.

- Rotate the clutch nut (A) to the next index.

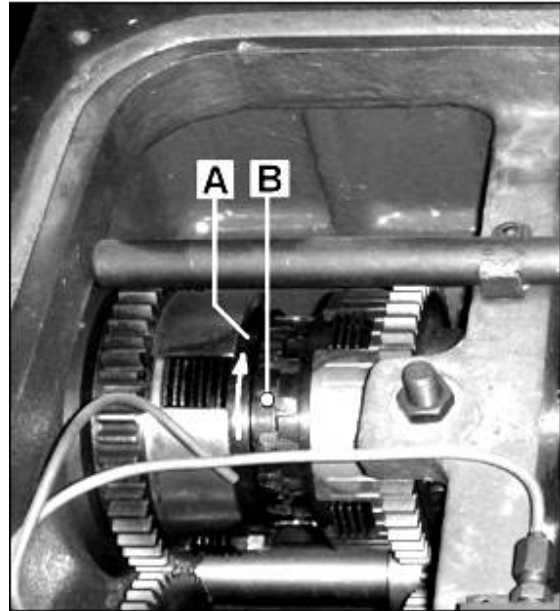


Fig 15

Note:

The clutch reacts quickly, adjust clutch nut (A) by one division only.

You must feel and hear the clutch engagement....clicking noise!

If clutch is adjusted too tight, it will not engage.

If the spindle does not stop in the OFF-position, the forward/reverse clutch adjustment is out of balance. (The spindle follows the direction with the tighter clutch adjustment).

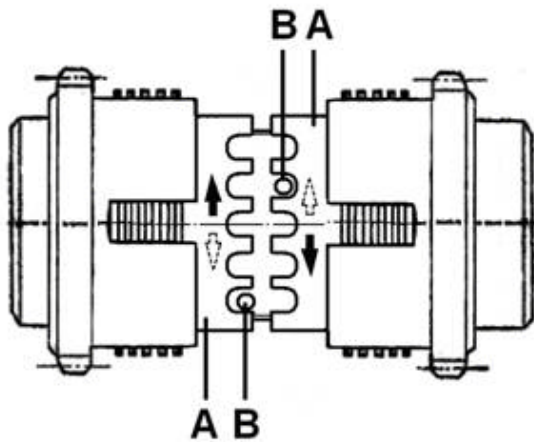


Fig 16

- Install the headstock cover.
- Test the clutch function (readjust if necessary).

Break:

After the clutch is disengaged, the main drive can be stopped by the brake.
 If the spindle can not be stopped in a short period, the braking strap should be adjusted (See Fig 17).

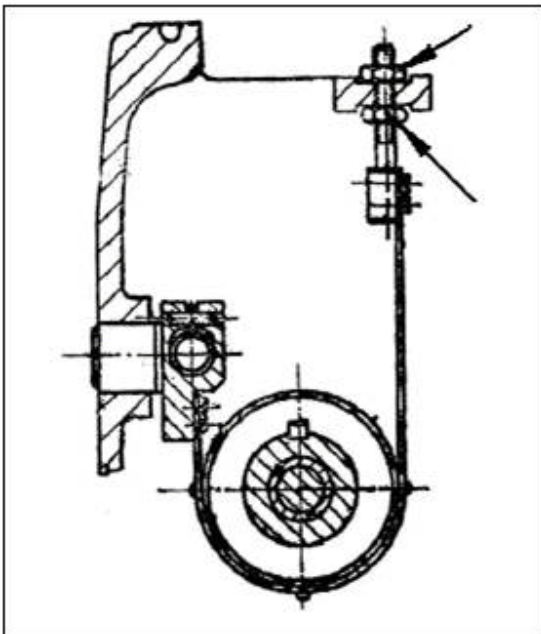


Fig 17

Main Spindle and Bearings:

If the spindle precision can not meet the requirement, first loosen nut 1
 Loosen locking clip and loosen nut 2.
 Adjust the play of the front and middle bearings through nuts 3 and 4. After the adjustment tighten the loosened nuts.

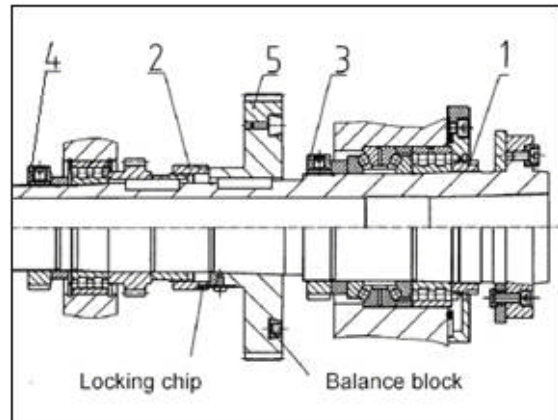


Fig 18

After the adjustment make an idle running at the highest speed for two hours. The temperature must remain below 70°C.

Feedbox:

The design allows to cut most threads without the need for change gears.

Lead Screw:

The axial play of the lead screw can be eliminated by adjusting the nuts (1, Fig 19)

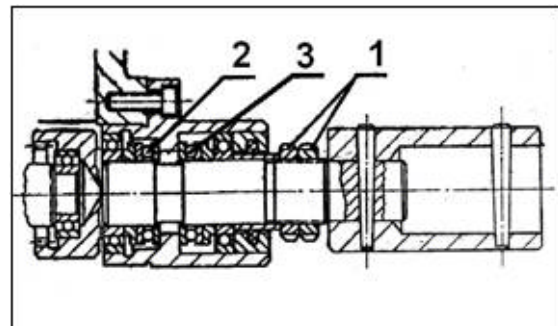


Fig 19

Apron:

Power feed drive route is from feed rod to apron, through safety clutch to worm, through gear drives to longitudinal or cross movement.

To realize rapid feed at any time, an overstep clutch is equipped on the worm axle.
 When the rapid feed motor drives the worm axle, it oversteps the feed rod in one direction.

When the rapid feed is stopped, the normal feed is automatically engaged again.

Feed Overload Clutch:

To adjust the feed overload clutch, remove the cover (1, Fig 20) and adjust screw (2).

Be sure not to set it too tight, otherwise no protection function and the machine may be damaged.

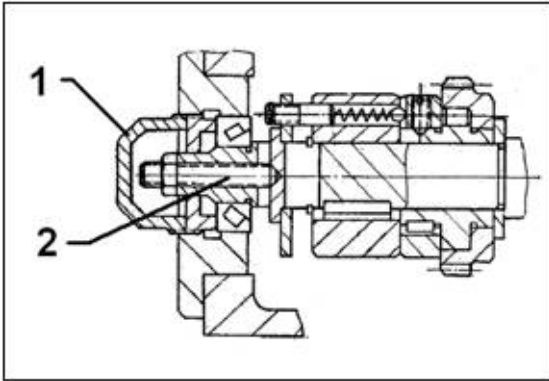


Fig 20

4-Way Toolpost

During tool change, the tool rest is slightly raised.

During tool change, if the tool rest cannot reach the desired position, loosen the screw (2, Fig 21) for spring and steel ball.

If it over travels, tighten the screw.

To disassemble the toolpost, remove screw 1 and 2, take out spring 3 and steel ball 4, then the lever and the tool rest can be removed.

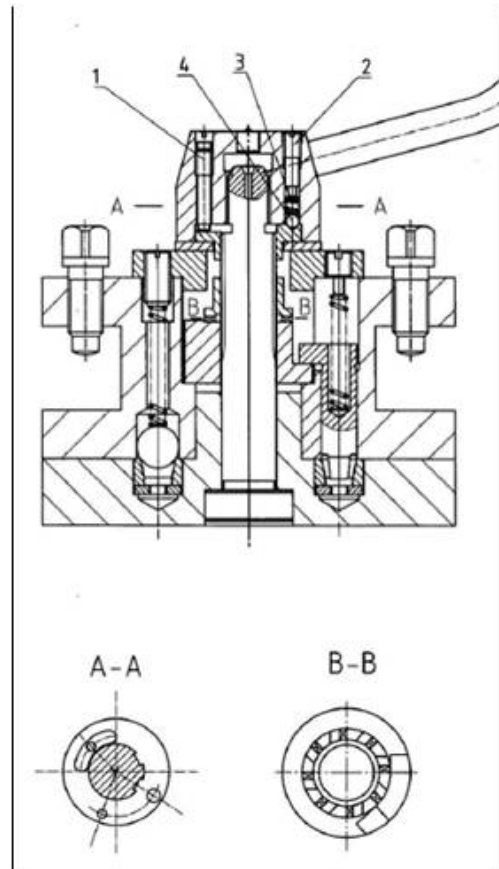


Fig 21

Cross slide:

The axial play of the cross slide spindle can be eliminated.

Loosen set screw 1, then tighten screw 2 until the clearance is eliminated. Finally tighten set screw 1 again. When the adjustment is finished, put on the dust cover 3 (See Fig 22).

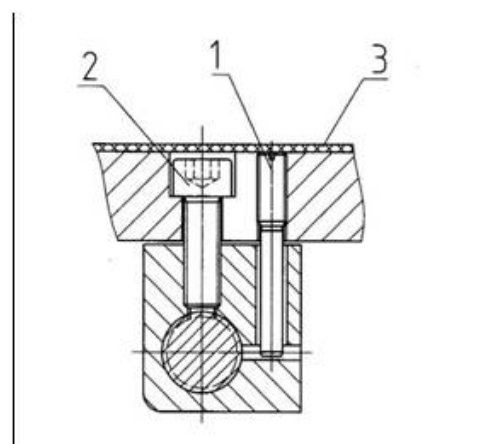


Fig 22

The dovetail guide ways on cross and top slide are adjustable by tapered gibs.

Tailstock

Cross displacement of the tailstock can be realized.

Loosen set screw (2, Fig 23)

Adjust displacement with screws (1, Fig 24)

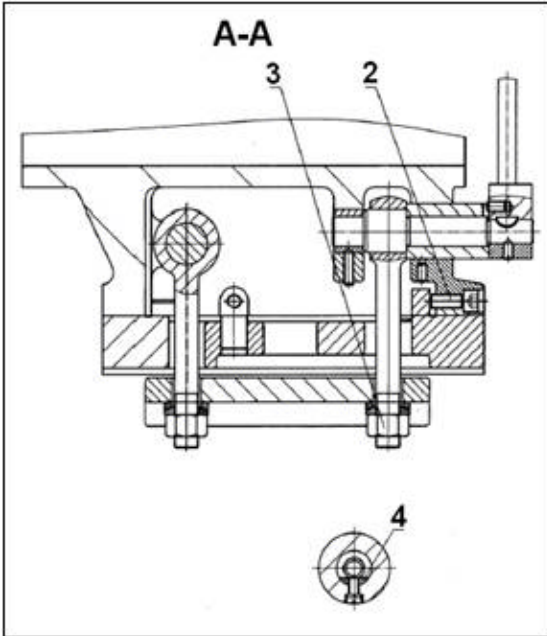


Fig 23

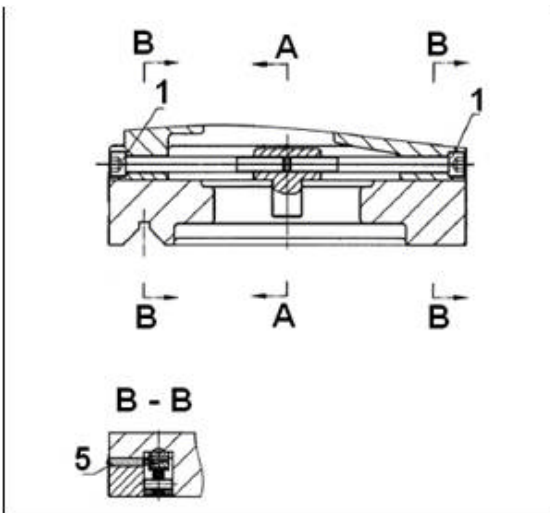


Fig 24

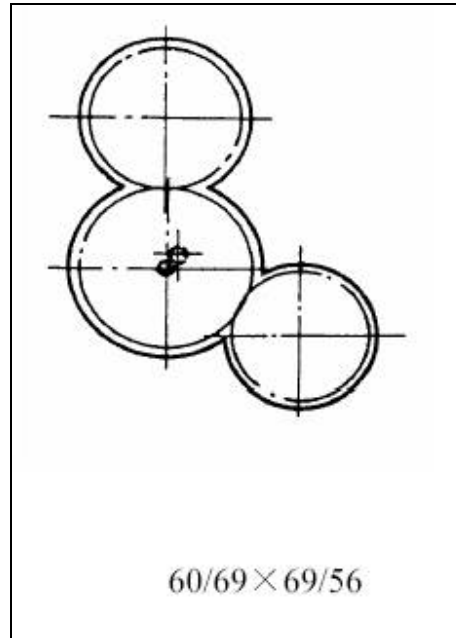


Fig 25

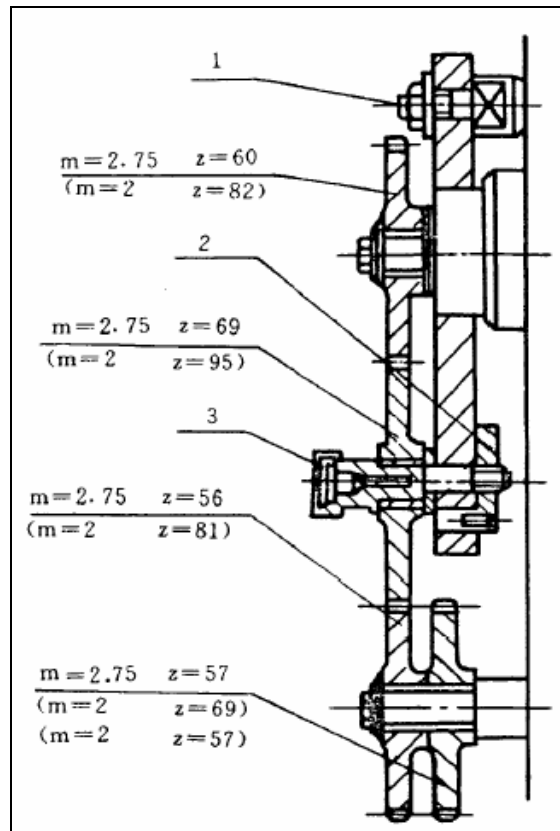


Fig 26

Change gear bracket

For most threads the standard setting can be used (Fig 25, 26)

Only for 19TPI and 11¹/₂ TPI threads it is necessary to change gears (Fig 27, 28)

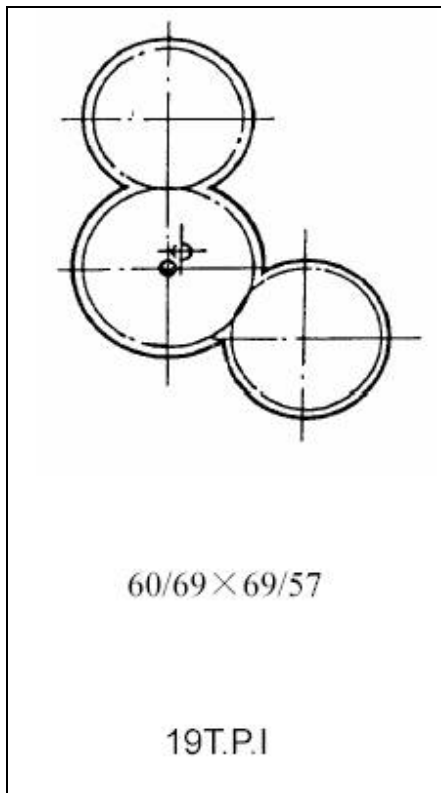


Fig 27

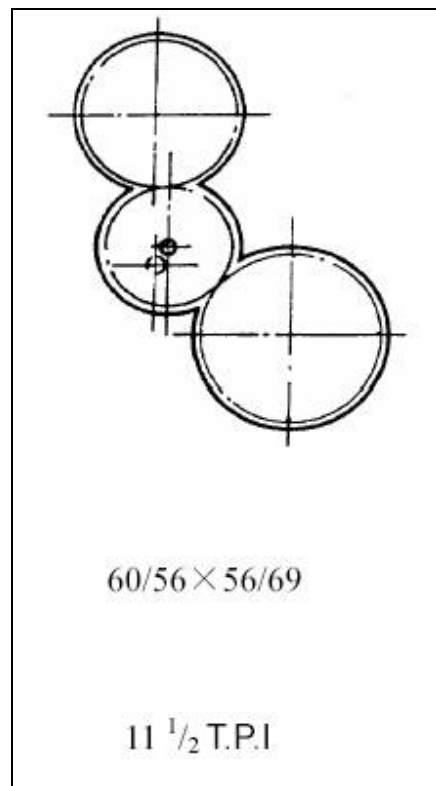


Fig 28

9. Maintenance and inspection

General notes:

Maintenance, cleaning and repair work may only be carried out after the machine is protected against accidental starting.

Lock the main switch in Off position.

Clean the machine regularly.

Defective safety devices must be replaced immediately.

Repair and maintenance work on the electrical system may only be carried out by a qualified electrician.

9.1 LUBRICATION SYSTEM OF THE MACHINE

Please refer to Diagram of machine lubrication (Fig 29)...also see appendix page.

It is necessary to keep each moving part of the machine well lubricated.

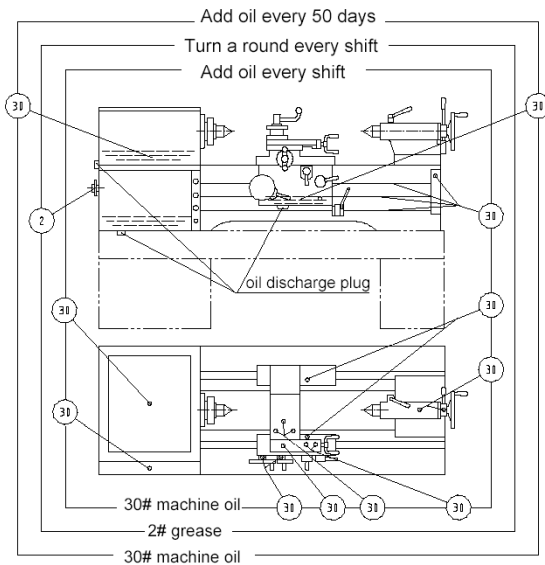


Fig 29

Headstock Lubrication:

An oil pump (Fig 30) is driven by the pulley axle.

The oil goes through a filter and then to the pump, gears, clutches and bearings inside the headstock (Fig 31)

The working condition of the oil pump can be observed through the oil glass in the front of the headstock. The oil level can be observed from the oil indicator behind the headstock.

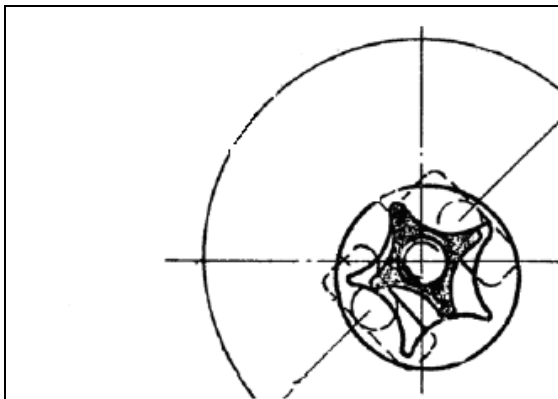


Fig 30

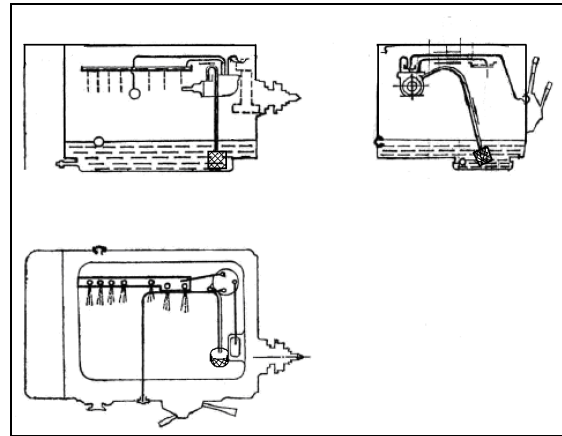


Fig 31

Feedbox Lubrication:

The oil level can be observed from the oil indicator on the left of feedbox.

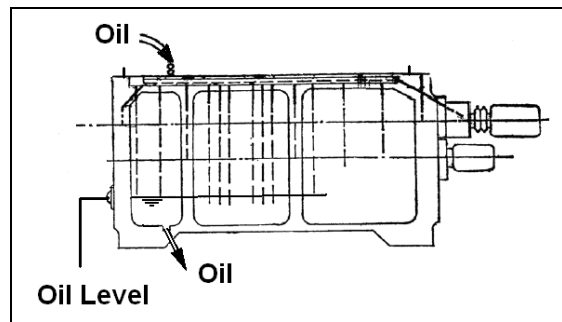


Fig 32

Apron Lubrication:

The oil level can be observed from the oil indicator in the front of the apron (Fig 33).

Remove the oil plug and use an oil can to fill with oil.

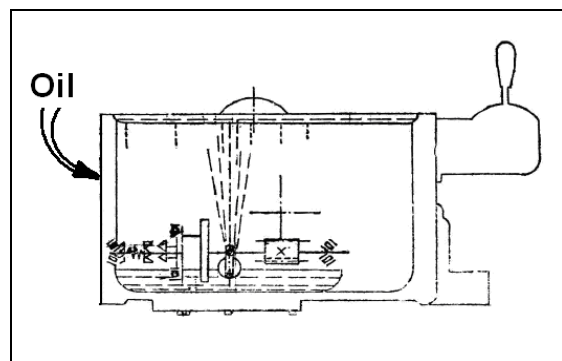


Fig 33

The lead screw, feed rod, forward/reverse control axle neck are all lubricated from the oil pool on the rear bracket through woolen lines.

Lubrication of bed ways:

The bedways under the saddle are lubricated by operating the apron central lubrication (operate the lubrication knob several times a day, depending on the use of the machine).

Lubrication of cross slide and top slide:

The guide ways of cross slide, cross lead screw, top slide lead screw, tool rest, tailstock sleeve and lead crew are all lubricated by an oil gun.

Lubrication of tool post and tailstock:

The 4-way tool post, tailstock-sleeve and -lead screw are all lubricated by an oil gun.

Lubrication of change gears:

The change gear axle and its sleeve are lubricated with grease pressed into the axle end plug.

Coat all gears with non slinging grease

Lubrication of rack:

Apply non slinging grease on entire length.

9.2 Annual Lubrication**- Headstock:****Change the hydraulic oil**

(...15 Litre)

DIN 51517-2 CL ISO VG 32

(e.g. BP Energol HLP32, Castrol Hyspin AWS 32, Mobil DTE Oil Light)

Oil must be up to indicator mark in oil sight glass.

Fill oil by pulling plug located on top of the headstock underneath the rubber mat.

Drain oil after first month of operation by Removing drain plug.

Clan out any metal shavings.

Refill with oil.

Then change the oil in the headstock annually (respectively every 700 operating hours).

- Feed Gearbox:**Change the hydraulic oil (2 Litre)****DIN 51517-2 CL ISO VG 32**

(e.g. BP Energol HLP32, Castrol Hyspin AWS 32, Mobil DTE Oil Light)

Oil must be up to indicator mark in oil sight glass

Fill oil on the top cover.

Drain oil after first month of operation by removing Drain plug

Refill with oil.

Then change the oil in the gearbox annually (respectively every 700 operating hours).

- Apron:**Change the hydraulic oil (2 Litre)****DIN 51517-2 CL ISO VG 32**

(e.g. BP Energol HLP32, Castrol Hyspin AWS 32, Mobil DTE Oil Light)

Oil must be up to indicator mark in oil sight glass

Fill oil by removing plug.

Drain oil after first moth of operation by removing drain plug on the bottom. Refill with oil.

Then change the oil in the apron annually (respectively every 700 operating hours).

9.3 Weekly Lubrication

Weekly inspect the oil sight glasses, fill oil on demand

Weekly apply grease:**DIN 51807-1 non slinging grease**

(e.g. BP L2, Mobilgrease Special).

- Rack

Apply grease on entire length.

- Change gears

Coat all gears with grease

9.4 Daily Lubrication**Daily apply oil:****DIN 51502 CG ISO VG 68**

(e.g. BPMaccurat 68, Castrol Magna BD 68, Mobil Vectra 2)

- Top slide

Lubricate ball oilers

- Cross slide

Lubricate ball oiler

- Lead screw hub, feed rod hub, switch rod hub

Lubricate ball oilers

- Tailstock

Lubricate ball oiler

9.5 Coolant System:

Remove access cover on machine stand

Pour 15 litres of coolant mix into pan.

Follow coolant manufacturer's recommendations for use, care and disposal.

9.6 Shear pin replacement

Lead screw and feed shaft are equipped with shearing pins to protect the drive against overload.

If a shear pin breaks it must be replaced.

Knock out the broken pin.

Line up the holes and fit a new pin.

9.7 Headstock alignment

The headstock has been aligned at the factory.

Check that the machine bed is level and correct before proceeding.

Turn a test piece for inspection.

The diameter should be the same on the whole turning length.

If headstock alignment is needed:

Loosen the 4 headstock bolts that hold the headstock to the bed.

Do not loosen completely; some drag should remain.

Adjust on the lateral adjustment bolts located on the rear of the headstock.

Tighten all headstock bolts.

9.8 Slide adjustments

Each slide is fitted with tapered gib.

Loosen the rear gib screw by one turn.

Tighten front gib screw a quarter turn.

Try and repeat until slide moves freely without play.

Gently tighten the rear gib screw.

9.9 GENERAL MAINTENANCE NOTES:

Lubrication:

The oil level of each case should not be less than middle of the oil indicator to ensure full lubrication. It should not be too high either. Otherwise there may be leakage. Therefore, be sure to check oil level often.

V-Belts:

Regularly check and adjust the tightness of V-belts to prolong the service life of them.

Headstock Clutch:

To ensure normal working of the spindle, the clutch must be suitably adjusted.

- If the clutch is too loose, it outputs low power and is easy to slip and get hot under load.

- If it is too tight, it becomes difficult to operate and clutch mechanism will not engage properly. Also it will lose the overload protect function.

See chapter 8 for clutch adjustment.

Break:

When the brake becomes ineffective, adjust it right away. Never reverse the friction clutch for braking.

Cleaning:

Regularly clean the dirt and coolant round the tool post to keep its re-positioning accuracy.

10. Trouble shooting

Motor doesn't start

*Chuck guard is open----close the chuck guard.

*Pulley cover is open-----close the pulley cover.

*No electricity----- check mains and fuse.

*Defective switch, motor or cord----- consult an electrician.

Not enough power on main spindle

*Clutch slips----- adjust clutch in headstock.

*Belt slips----- tighten V-belts.

Spindle startup takes too long

*Clutch slips----- adjust clutch in headstock.

*Belt slips----- tighten V-belts.

Machine vibration

*Unbalanced work piece-----Reduce spindle speed.

*Workpiece deflection-----improve chucking length or diameter, support on tailstock end.

*Tool deflection-----reduce tool length.

*Slide backlash-----adjust slide gibs.

*Slides running dry-----lubricate with oil.

*Dull tool tip----resharpen or change tool.

*Chip load too high----reduce depth of cut or feed-

Tool tip burns

*Cutting speed too high----reduce spindle speed.

*Dull tool tip----resharpen tool tip.

Machine turns a taper

*Tailstock alignment is offset----align tailstock position.

*Machine bed is twisted----machine bed must be level.

No automatic power feed

*Shear pin has broken-----replace shear pin

11. Environmental protection

Protect the environment.

Your appliance contains valuable materials which can be recovered or recycled. Please leave it at a specialized institution.

12. Available accessories

Refer to the Jet-Pricelist for various accessories.

DE - DEUTSCH

Gebrauchsanleitung

Sehr geehrter Kunde,

vielen Dank für das Vertrauen, welches Sie uns beim Kauf Ihrer neuen JET-Maschine entgegengebracht haben. Diese Anleitung ist für den Inhaber und die Bediener zum Zweck einer sicheren Inbetriebnahme, Bedienung und Wartung der **Metalldrehbank GH-2040/ 2060/ 2080/ 2640/ 2660/ 2680/ 26120 ZH** erstellt worden. Beachten Sie bitte die Informationen dieser Gebrauchsanleitung und der beiliegenden Dokumente. Lesen Sie diese Anleitung vollständig, insbesondere die Sicherheitshinweise, bevor Sie die Maschine zusammenbauen, in Betrieb nehmen oder warten. Um eine maximale Lebensdauer und Leistungsfähigkeit Ihrer Maschine zu erreichen befolgen Sie bitte sorgfältig die Anweisungen.

Inhaltsverzeichnis

1. Konformitätserklärung
2. Garantieleistungen
3. Sicherheit
4. Maschinenspezifikationen
5. Transport und Inbetriebnahme
6. Betrieb der Maschine
7. Rüst- und Einstellarbeiten
8. Beschreibung der Maschine
9. Wartung und Inspektion
10. Störungsabhilfe
11. Umweltschutz
12. Lieferbares Zubehör

1. Konformitätserklärung

Wir erklären in alleiniger Verantwortlichkeit, dass dieses Produkt mit den auf Seite 2 angegebenen Richtlinien* übereinstimmt.

Bei der Konstruktion wurden folgende Normen** berücksichtigt.

2. Garantieleistungen

Der Verkäufer garantiert, dass das gelieferte Produkt frei von Material- und Fertigungsfehlern ist. Diese Garantie trifft nicht auf jene Defekte zu, welche auf direkten oder indirekten, nicht fachgerechten Gebrauch, Unachtsamkeit, Unfallschaden, Reparatur, mangelhafte Wartung bzw. Reinigung sowie normalen Verschleiß zurückzuführen sind.

Garantie- bzw. Gewährleistungsansprüche müssen innerhalb von 12 Monaten ab dem Verkaufsdatum (Rechnungsdatum) geltend gemacht werden. Weitergehende Ansprüche sind ausgeschlossen.

Die vorliegende Garantie umfasst sämtliche Garantieverpflichtungen seitens des Verkäufers und ersetzt alle früheren Erklärungen und Vereinbarungen betreffend Garantien.

Die Garantiefrist gilt für eine tägliche Betriebszeit von 8 Stunden. Wird diese überschritten, so verkürzt sich die Garantiefrist proportional zur Überschreitung, jedoch höchstens auf 3 Monate.

Die Rücksendung beanstandeter Ware bedarf der ausdrücklichen vorherigen Zustimmung vom Verkäufer und geht auf Kosten und Gefahr des Käufers.

Die ausführlichen Garantieleistungen sind den Allgemeinen Geschäftsbedingungen (AGB) zu entnehmen. Die AGB sind unter www.jettools.com einzusehen oder werden auf Anfrage per Post zugestellt.

Der Verkäufer behält sich das Recht vor, jederzeit Änderungen am Produkt und Zubehör vorzunehmen.

3. Sicherheit

3.1 Bestimmungsgemäße Verwendung

Diese Metalldrehbank ist ausschließlich zum Drehen und Bohren von zerspanbaren Metallen und Kunststoffen geeignet.

Die Bearbeitung anderer Werkstoffe ist nicht zulässig bzw. darf in Sonderfällen nur nach Rücksprache mit dem Maschinenhersteller erfolgen.

**Niemals Magnesium zerspanen-
Hohe Feuergefahr!**

Es dürfen nur Werkstücke bearbeitet werden welche sicher zugeführt und gespannt werden können.

Die bestimmungsgemäße Verwendung beinhaltet auch die Einhaltung der vom Hersteller angegebenen Betriebs- und Wartungsanweisungen.

Die Maschine darf ausschließlich von Personen bedient werden, die mit Betrieb und Wartung vertraut und über die Gefahren unterrichtet sind.

Das gesetzliche Mindestalter ist einzuhalten.

Die Maschine darf nur in technisch einwandfreiem Zustand betrieben werden.

Beim Arbeiten an der Maschine müssen alle Sicherheitseinrichtungen und Abdeckungen vorhanden sein

Neben den in der Gebrauchsanleitung enthaltenen Sicherheitshinweisen und den besonderen Vorschriften Ihres Landes sind die für den Betrieb von Metallbearbeitungsmaschinen allgemein anerkannten fachtechnischen Regeln zu beachten.

Jeder darüber hinaus gehende Gebrauch gilt als nicht bestimmungsgemäß und für daraus resultierende Schäden haftet der Hersteller nicht. Das Risiko trägt allein der Benutzer.

3.2 Allgemeine Sicherheitshinweise

Metallbearbeitungsmaschinen können bei unsachgemäßem Gebrauch gefährlich sein. Deshalb ist zum sicheren Betreiben die Beachtung der zutreffenden Unfallverhütungs- Vorschriften und der nachfolgenden Hinweise erforderlich.

Lesen und verstehen Sie die komplette Gebrauchsanleitung bevor Sie mit Montage oder Betrieb der Maschine beginnen.

Bewahren Sie die Bedienungsanleitung, geschützt vor Schmutz und Feuchtigkeit, bei der Maschine auf, und geben Sie sie an einen neuen Eigentümer weiter.

An der Maschine dürfen keine Veränderungen, An- und Umbauten vorgenommen werden.

Überprüfen Sie täglich vor dem Einschalten der Maschine die einwandfreie Funktion und das Vorhandensein der erforderlichen Schutzeinrichtungen.

Festgestellte Mängel an der Maschine oder den Sicherheitseinrichtungen sind zu melden und von den beauftragten Personen zu beheben.

Nehmen Sie die Maschine in solchen Fällen nicht in Betrieb, sichern Sie die Maschine gegen Einschalten durch Ziehen des Netzsteckers.

Zum Schutz von langem Kopfhaar Mütze oder Haarnetz aufsetzen.

Enganliegende Kleidung tragen, Schmuck, Ringe und Armbanduhren ablegen.

Tragen Sie Schutzschuhe, keinesfalls Freizeitschuhe oder Sandalen.

Sorgen Sie stets für sicheren Stand.

Verwenden Sie die durch Vorschriften geforderte persönliche Schutzausrüstung.

Beim Arbeiten an der Maschine **keine Handschuhe** tragen.

Beim Arbeiten Schutzbrille tragen.

Die Maschine so aufstellen, dass genügend Platz zum Bedienen und zum Führen der Werkstücke gegeben ist.

Sorgen Sie für gute Beleuchtung.

Die Maschine ist für den Betrieb in geschlossenen Räumen, achten Sie darauf, dass die Maschine standsicher auf festem und ebenem Grund steht.

Beachten Sie dass die elektrische Zuleitung nicht den Arbeitsablauf behindert und nicht zur Stolperstelle wird.

Den Arbeitsplatz frei von behindernden Werkstücken, etc. halten.

Seien Sie aufmerksam und konzentriert. Gehen Sie mit Vernunft an die Arbeit.

Achten Sie auf ergonomische Körperhaltung. Sorgen Sie für sicheren Stand und halten Sie jederzeit das Gleichgewicht.

Arbeiten Sie niemals unter dem Einfluss von Rauschmitteln wie Alkohol und Drogen an der Maschine. Beachten Sie, dass auch Medikamente Einfluss auf Ihr Verhalten nehmen können.

Niemals in die laufende Maschine greifen.

Die laufende Maschine nie unbeaufsichtigt lassen. Vor dem Verlassen des Arbeitsplatzes die Maschine ausschalten.

Halten Sie Unbeteiligte, insbesondere Kinder vom Gefahrenbereich fern.

Benützen Sie die Maschine nicht in der Nähe von brennbaren Flüssigkeiten oder Gasen. Beachten Sie die Brandmelde- und Brandbekämpfungsmöglichkeiten z.B. Standort und Bedienung von Feuerlöschern.

Benützen Sie die Maschine nicht in feuchter Umgebung und setzen Sie sie nicht dem Regen aus.

Nur mit gut geschärften Werkzeugen arbeiten.

Arbeiten Sie nie bei geöffnetem Futterschutz, Späneschutz oder Riemenschutz.

Entfernen Sie vor dem Start den Drehfutterschlüssel und andere Werkzeuge.

Angaben über die min. und max.
Werkstückabmessungen müssen eingehalten werden.

Späne und Werkstückteile nur bei stehender Maschine entfernen.

Nicht auf der Maschine stehen.

Arbeiten an der elektrischen Ausrüstung der Maschine dürfen nur durch eine Elektrofachkraft vorgenommen werden.

Tauschen Sie ein beschädigtes Netzkabel sofort aus.

Halten Sie mit ihren Fingern ausreichend Abstand zu rotierenden Teilen und Spänen.

Kontrollieren Sie vor der Bearbeitung ob das Werkstück sicher eingespannt ist.

Den Spannungsbereich der Drehfutter nicht überschreiten.

Falls die Werkstücklänge den Spanndurchmesser 3-mal übersteigt muss mit dem Reitstock gegengelagert werden.

Vermeiden Sie kleine Spanndurchmesser bei großen Drehdurchmessern.

Vermeiden Sie kurze Einspannlängen.

Die Drehzahlbegrenzung des Spannmittels darf nicht überschritten werden.

Gewindebohren, Gewindeschneiden und das Zerspanen unwuchtiger Werkstücke nur bei niedriger Drehzahl vornehmen.

Das über den Spindelstock herausragende Stangenmaterial ist über die gesamte Länge mit einem festen Schutz zu umgeben. -
Hohe Verletzungsgefahr!

Lange Werkstücke mit Stehlünette abstützen. Ein langes und dünnes Werkstück kann sich bei schneller Rotation plötzlich verbiegen.

Niemals den Reitstock oder die Reitstockpinole während des Laufes verstellen.

Späne nur bei Maschinenstillstand und mit Hilfe eines geeigneten Spänehakens entfernen.

Das Spannfutter oder Werkstück nicht mit der Hand abbremsen.

Führen Sie Mess- und Einstellarbeiten nur bei Maschinenstillstand durch.

Umrüst-, Einstell- und Reinigungsarbeiten nur im Maschinenstillstand und bei gezogenem Netzstecker vornehmen.

3.3 Restrisiken

Auch bei vorschriftsmäßiger Benutzung der Maschine bestehen die nachfolgend aufgeführten Restrisiken.

Verletzungsgefahr durch das rotierende Werkstück und Spannfutter.

Gefährdung durch wegfliegende und heiße Werkstücke und Späne.

Gefährdung durch Lärm und Späne.
Unbedingt persönliche Schutzausrüstungen wie Augen- und Gehörschutz tragen.

Gefährdung durch Strom, bei nicht ordnungsgemäßer Verkabelung.

4. Maschinenspezifikationen

4.1 Technische Daten

GH-2040 / 2060 / 2080 ZH:

Drehdurchmesser über Bett	500mm
über Bettbrücke	720mm
Bettbrückenlänge	210mm
über Schlitten	310mm
Spitzenweite	1015/ 1530/ 2030mm
Maschinenbettbreite	405mm
Spindelkegel	MK-7
Spindel DIN 55029(Camlock)	D1-8
Spindeldurchlass	Ø80 mm
Geschwindigkeiten ...24	9-1600 U/min
Reitstock Pinolenhub	150mm
Pinolenkegel	MK5
Max. Querverstellung Reitstock	+/-15mm
Stehlünette Durchm.	50 – 210mm
Laufünette Durchm	20 – 110mm
Querschlitzen Hub	310mm
Oberschlitten Hub	145mm
Werkzeuggröße max.	25 x 25 mm
Längsvorschübe 65	0,063–2,52mm/U
Quervorschübe 65	0,027–1,07mm/U
Metrische Gewinde...46	1–224mm/U
Zöllige Gewinde ...46	28 – 1/8 TPI
Modul Gewinde 42	0,5 – 112MP
Diametral Gewinde 45	56 – 1/4 DP
Leitspindel Steigung	12mm
Kühlmittelbehälter	15 L
Abmessungen (LxBxH)	2500 / 3000 / 3500 x 1280 x 1410mm
Maschinengewicht	2750 / 3000 / 3250 kg

Abgabeleistung	7,5 kW (10 PS) S1
Betriebsnennstrom	18A
Anschlussleitung	(H07RN-F) 4x4mm ²
Bauseitige Absicherung	25A

GH-2640 / 2680 / 26120 ZH:

Drehdurchmesser über Bett	660mm
über Bettbrücke	870mm
Bettbrückenlänge	240mm
über Schlitten	420mm
Max. Zerspandurchmesser für Scheibenteile	520mm
Spitzenweite	1015/ 1530/ 2030 / 3050mm
Maschinenbettbreite	405mm
Spindelkegel	Ø113m 1:20
Spindel DIN 55029(Camlock)	D1-8
Spindeldurchlass	Ø105 mm
Geschwindigkeiten ...12	36-1600 U/min
Reitstock Pinolenhub	150mm
Pinolenkegel	MK5
Max. Querverstellung Reitstock	+/-15mm
Stehlünette Durchm.	100 – 240mm
Laufünette Durchm	20 – 100mm
Querschlitten Hub	310mm
Oberschlitten Hub	145mm
Werkzeuggröße max.	25 x 25 mm
Längsvorschübe 65	0,063–2,52mm/U
Quervorschübe 65	0,027–1,07mm/U
Metrische Gewinde...22	1–14mm/U
Zöllige Gewinde ...25	28 – 2 TPI
Modul Gewinde 18	0,5 – 7MP
Diametral Gewinde 24	56 – 4 DP
Leitspindel Steigung	12mm
Kühlmittelbehälter	15 L
Abmessungen (LxBxH)	2500 / 3000 / 3500 / 4500 x 1100 x 1450mm
Maschinengewicht	2750 / 3145 / 3870 / 4250 kg
Abgabeleistung	7,5 kW (10 PS) S1
Betriebsnennstrom	18A
Anschlussleitung	(H07RN-F) 4x4mm ²
Bauseitige Absicherung	25A

4.2 Schallemission

Schalldruckpegel(nach EN ISO 11202):
 Leerlauf Maximaldrehzahl LpA 82,4 dB (A)

Die angegebenen Werte sind Emissionspegel und sind nicht notwendigerweise Pegel für sicheres Arbeiten. Sie sollen dem Anwender eine Abschätzung der Gefährdung und des Risikos ermöglichen.

4.3 Lieferumfang

GH-2040 / 2060 / 2080 ZH:

6 Nivellierschuhe
 Spritzschutz
 Stahlhalterschutz
 Futterschutz mit Endschalter
 Dreibackenfutter 250mm mit Grund- und Umkehrbacken
 Planscheibe 320mm
 Aufspanscheibe Ø 400mm
 Vierfach Stahlhalter mit Rasterfunktion
 Stehlünette
 Mitlaufünette
 Fußbremse mit Endschalter
 Kühlmittleinrichtung
 Halogen Maschinenleuchte
 Mitlaufende Körnerspitze MK-5
 Feste Körnerspitze MK-5
 Reduzierhülse MK-7 / MK-5
 Gewindeuhr
 Anschlagwelle mit 5 verstellbaren Nocken (Abschaltung des Längenvorschubs)
 Bedienwerkzeug in Werkzeugbox
 Ölkanne
 Bedienungsanleitung
 Ersatzteilliste

GH-2640 / 2660 / 2680 / 26120 ZH:

6 Nivellierschuhe
 Spritzschutz
 Stahlhalterschutz
 Futterschutz mit Endschalter
 Dreibackenfutter 325mm mit Grund- und Umkehrbacken
 Planscheibe 400mm
 Aufspanscheibe 630mm
 Mitnehmerscheibe 250mm
 Vierfach Stahlhalter mit Rasterfunktion
 Stehlünette
 Mitlaufünette
 Fußbremse mit Endschalter
 Kühlmittleinrichtung
 Halogen Maschinenleuchte
 Mitlaufende Körnerspitze MK-5
 Feste Körnerspitze MK-5
 Reduzierhülse Ø113mm / MT-5 Gewindeuhr
 Anschlagwelle mit 5 verstellbaren Nocken (Abschaltung des Längenvorschubs)
 Bedienwerkzeug in Werkzeugbox
 Ölkanne
 Bedienungsanleitung
 Ersatzteilliste

4.4 Beschreibung der Maschine

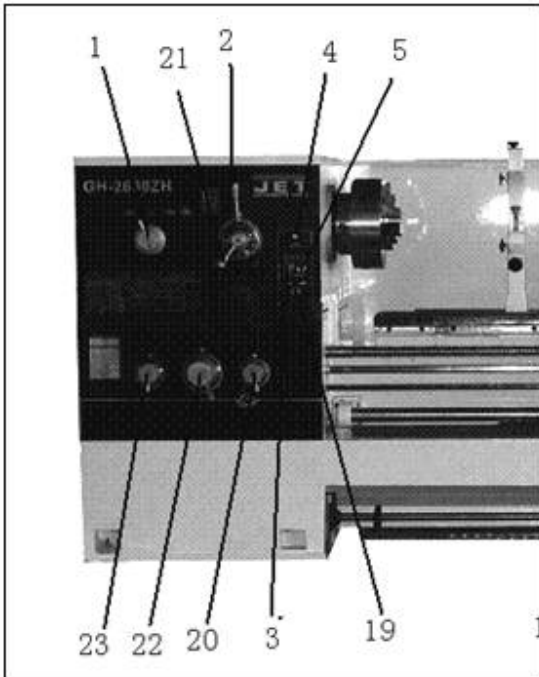


Fig 1

- 1...Wahlhebel Gewindesteigung
- 2...Drehzahl-Wahlhebel
- 3...Not-Aus Taster
- 4...Kühlpumpe Ein/Aus
- 5...Einschaltknopf Hauptmotor
- 6...Schalter Maschinenleuchte
- 7...Hebel für Drehmeißelhalter
- 8...Hahn für Kühlmittleinrichtung
- 9...Oberschlitten
- 10...Klemmhebel Pinole
- 11...Klemmhebel Reitstock

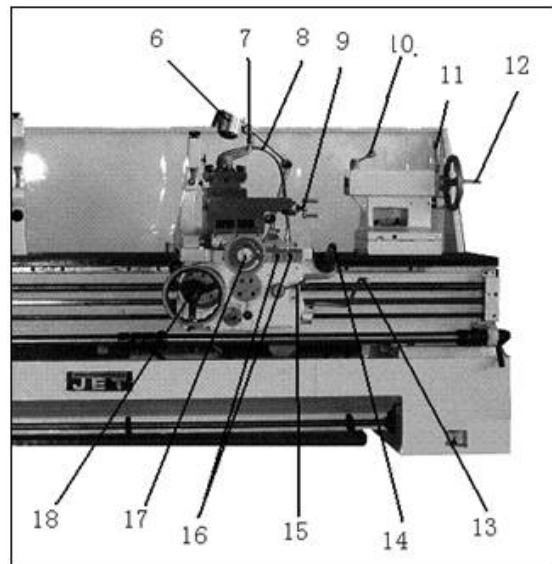


Fig 2

- 12...Handrad Reitstockpinole
- 13...Spindellauf Wahlhebel Vorlauf/Stopp/Rücklauf
- 14...Vorschub Steuerknüppel mit Eilgangtaster
- 15...Schloßmutter
- 16...Ein-/Ausschaltknopf Hauptmotor
- 17...Querschlitten Handrad
- 18...Bettschlittenhandrad
- 19...Netzkontroll Taster
- 20....Vorschubgeschwindigkeit-Wahlhebel
- 21....Drehzahl-Wahlhebel
- 22... Vorschubgeschwindigkeit-Wahlhebel
- 23... Gewindemodus- Wahlhebel

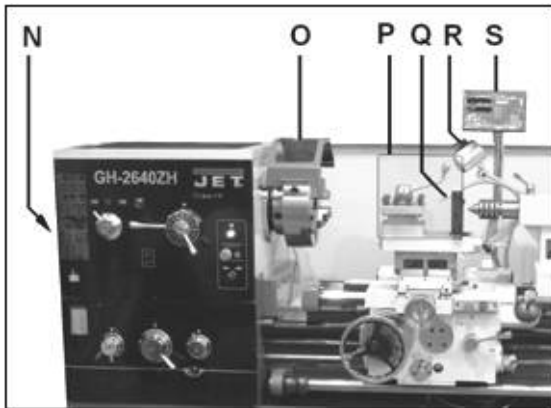


Fig 3

- N...Räderdeckel
- O...Futterschutz
- P...Stahlhalterschutz
- Q...Kühlmitteldüse
- R...Halogen-Maschinenleuchte
- S...3-Achs-Positionsanzeige (optional)

5. Transport und Inbetriebnahme

5.1. Transport und Aufstellung

Die Maschine wird geschlossen auf Palette geliefert.

Zum Transport verwenden Sie einen handelsüblichen Stapler oder Hubwagen. Sichern Sie die Maschine beim Transport gegen Umfallen.

Die Aufstellung der Maschine sollte in geschlossenen Räumen erfolgen und braucht ausreichend Platz um von allen Seiten zugänglich zu sein.

Fundamentplan siehe Anhang.

5.2 Montage

Wenn Sie beim Auspacken einen Transportschaden feststellen, benachrichtigen Sie umgehend Ihren Händler, nehmen Sie das Gerät nicht in Betrieb.

Entsorgen Sie die Verpackung bitte umweltgerecht.

Entfernen Sie das Rostschutzfett mit Petroleum, Dieselöl oder einem milden Lösungsmittel.

Schrauben Sie die Maschine von der Palette ab.

Bewegen Sie Bettschlitten und Reitstock nach rechts.

Schieben Sie 2 ausreichend starke Stahlstangen in die Öffnungen des Maschinensockels (Fig 4).

Mit ausreichend starken Tragegurten anheben.

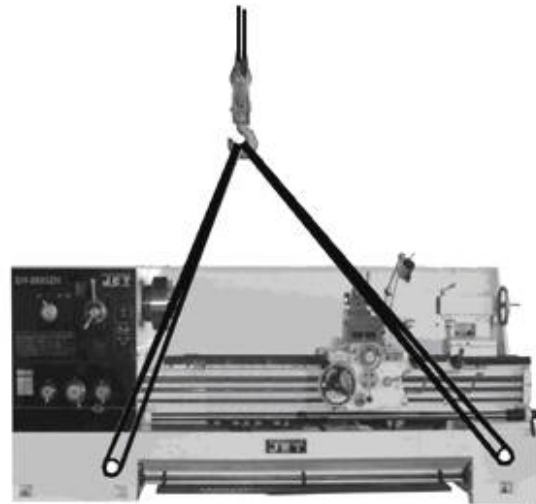


Fig 4

Achtung: Die Maschine ist schwer!

GH 2040 ZH	2750 kg
GH 2060 ZH	3000 kg
GH 2080 ZH	3250 kg
GH 2640 ZH	2750 kg
GH 2660 ZH	3145 kg
GH 2680 ZH	3870 kg
GH 26120 ZH	4250 kg

**Achten Sie auf ausreichende Tragfähigkeit und einwandfreien Zustand der Hebezeuge.
Treten Sie niemals unter schwebende Lasten.**

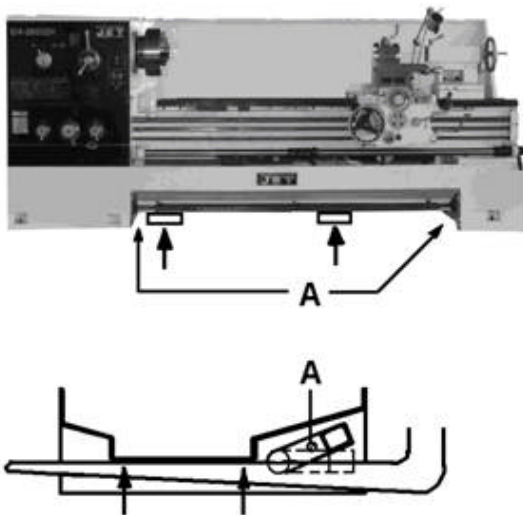


Fig 5

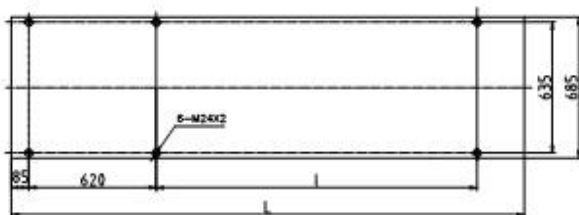
Zum Anheben der Maschine mit dem Gabelstapler, entfernen Sie die beiden Fusspedal-Hubbegrenzungsschrauben (A, Fig 5). Dadurch schwingt das Fusspedal frei nach oben und gibt Platz für die Staplergabeln.

Achtung:

Die Maschine ist linksgewichtig. Der Schwerpunkt liegt nahe am Spindelstock.

Aufstellung:

Die Aufstellung der Maschine sollte auf einem soliden Untergrund erfolgen.



GH-2040-2640 / 2060-2660 / 2080_2680 / 26120 ZH

Größe	1000	1500	2000	3000
I	1560	2060	2560	3560
L	2495	2995	3495	4495

Nivelierung:

Verwenden Sie eine Maschinenwasserwaage um das Maschinenbett eben auszurichten.

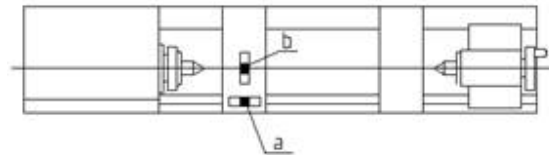


Fig 5

Die Maschinengenauigkeit ist nur bei ebenem Bett gegeben.

- a) Abweichung über Bettlänge max. 0,02/1000mm
- b) Abweichung über Bettlänge max.0,04/1000mm

5.3 Elektrischer Anschluss

Der kundenseitige Netzanschluss sowie die verwendeten Verlängerungsleitungen müssen den Vorschriften entsprechen.

Die Netzspannung und Frequenz müssen mit den Leistungsschilddaten an der Maschine übereinstimmen.

Die bauliche Absicherung muss dabei 32A betragen.

Verwenden Sie nur Anschlussleitungen mit Kennzeichnung H07RN-F

Anschlüsse und Reparaturen der elektrischen Ausrüstung dürfen nur von einem Elektrofachkraft durchgeführt werden.

Der Elektroanschluss erfolgt an der Klemmenleiste im Schaltschrank.

5.4 Erstschmierung

Vor der Inbetriebnahme der Maschine sind alle Schmierstellen zu versorgen, sowie alle Schmiermittelstände auf Niveau zu bringen!

Bei Nichtbeachtung sind erhebliche Schäden möglich!

(Siehe Schmierung in Kapitel 8)

Nach einmonatigem Betrieb muss das Öl in Spindelstock, Vorschubgetriebe und Schlosskasten gewechselt werden.

Der Kühlmittelbehälter ist mit Kühlemulsion zu füllen (siehe Kapitel 8.7).

5.5 Inbetriebnahme

Prüfen Sie das Spannmittel und die Werkstückaufspannung vor dem Start der Maschine (siehe Kapitel 6.2).

Stellen Sie vor dem Start der Maschine sicher, dass sich der Wahlhebel für den Spindel-Vorlauf/STOPP/Rücklauf (13, Fig 2) in Nullstellung befindet.

Alle Wahlhebeleinstellungen dürfen nur im Maschinenstillstand vorgenommen werden.

Schalten Sie den Hauptschalter am Schaltschrank an der Rückseite der Maschine auf Ein.

Sie können jetzt den Motor mit dem Ein-/Ausschaltknopf für den Hauptmotor starten (16, Fig 2)

Achten Sie auf die richtige Motorlaufrichtung.

Die Spindelrotation kann nun mit dem Spindellauf-Wahlhebel für Vorlauf / Stopp/ Rücklauf gestartet werden (13, Fig 2).

Schieben Sie den Wahlhebel
- nach rechts und unten für Vorlauf
- nach rechts und oben für Rücklauf

Bringen Sie den Schalthebel in Nullstellung um die Spindeldrehung zu stoppen.

Im Notfall kann die Maschine mit der Fußbremse gestoppt werden. Bei Betätigung der Bremse wird der Motor ausgeschaltet und mechanisch gebremst.

Achtung:

Die Maschine bleibt unter Spannung.

Der Not-Aus Taster (3, Fig 1) stoppt alle Maschinenfunktionen.

Entriegeln Sie den Not-Aus Taster durch Drehung im Uhrzeigersinn.

HINWEIS:

Sowohl der Räderdeckel (N, Fig 2-2) als auch der Futterschutz (O) sind mit Endschalter überwacht. Um die Maschine zu starten müssen beide geschlossen sein.

5.6 Einlaufphase

Geben Sie dem Getriebe Zeit sich einzulaufen.

Betreiben Sie die Maschine für die ersten 6 Stunden nicht über 560 U/min.

Spindelstock Kupplung:

Die Spindelstock-Kupplung unterliegt dem Verschleiß und muss richtig eingestellt sein.

- Bei zu locker eingestellter Kupplung wird zu wenig Kraft übertragen; außerdem kommt es leicht zum Kupplungs-Rutschen mit der Gefahr der Überhitzung.

- Bei zu streng eingestellter Kupplung wird die Bedienung des Spindel Vorlauf / STOP / Rücklauf Hebels erschwert und die Kupplung rastet nicht ein. Die Überlast-Schutzfunktion geht verloren.

Siehe Kapitel 8 bezüglich Kupplungs-Einstellung.

Achtung:

Die Maschine nicht benutzen wenn Leistungsabfall durch Kupplungs-Rutschen festgestellt wird.

6. Betrieb der Maschine

Achtung:

Vor Rüst- und Einstellarbeiten muss die Maschine gegen Inbetriebnahme gesichert werden.

Netzstecker ziehen und die Not-Aus Taste drücken!

Wahlhebel dürfen nur bei ausgeschalteter Maschine betätigt werden.

Stellen Sie vor dem Start der Maschine sicher, dass sich der Spindellauf-Wahlhebel (13, Fig 2) in Nullstellung befindet.

Bei Spindelbetrieb niemals einen Griff oder Hebel betätigen. Die Spindeldrehzahlen dürfen nur bei ausgeschaltetem Hauptmotor geändert werden. Die Vorschubgeschwindigkeit darf nur bei niedriger Drehzahl oder Stillstand der Spindel geändert werden.

Prüfen Sie vor dem Start der Spindel, ob sich alle Griffe und Hebel in der richtigen Stellung befinden, um ein normales Anlaufen des Hauptantriebs zu gewährleisten.

Stellen Sie bei Betätigung des Spindellauf-Wahlhebels (13, Fig 2) sicher, dass sie ihn in die richtige Stellung bewegen. Nutzen Sie nie die "Vorwählfunktion", um bei verringerter Drehzahl zu schneiden.

Die Leitspindel wird nur zum Gewindeschneiden verwendet um ihre Arbeitsgenauigkeit zu erhalten und ihre Lebensdauer zu verlängern.

Beim Gewindeschneiden treibt die Leitspindel den Schlosskasten direkt an, und die Sicherheitskupplung des Schlosskastens hat ihre Schutzfunktion verloren. Um eine Beschädigung der Maschine zu vermeiden, wählen sie bitte eine geeignete Spantiefe.

Beim Auf- und Abspannen des Werkstücks oder bei Verlassen des Arbeitsplatzes muss der Bediener den Hauptmotor ausschalten.

6.1 Werkstückaufspannung

Spannmittel Demontage:

Schützen Sie das Maschinenbett vor der Spannmitteldemontage mit einem Holzbrett.

Halten Sie das Spannmittel während Sie die 3 Camlock Spannexcenter $\frac{1}{4}$ Umdrehung im Gegenuhrzeigersinn lösen.

Richten Sie die Markierungen (A, Fig 6) zueinander aus.

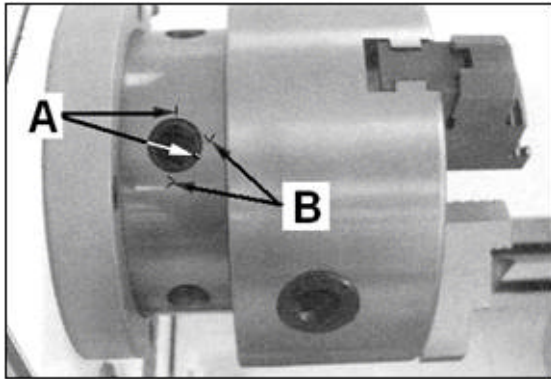


Fig 6

Entfernen Sie das Spannmittel mit Vorsicht.

Reinigen Sie alle Kontaktflächen.

Pressen Sie das Spannmittel von Hand gegen die Spindelnase.

Spannen Sie die Camlock Spannexcenter im Uhrzeigersinn.

Die Markierung der Spannexcenter (A) muss sich zwischen den 2 Pfeilmarkierungen (B) befinden. Falls nicht sind die Spannmittel-Camlockbolzen je nach Bedarf um eine Umdrehung ein- oder auszuschauben.

Die Camlock Spannexcenter festziehen.

Achtung:

Die Drehzahlbegrenzung des Spannmittels darf nie überschritten werden.

Backenverzahnung und Zahnkranzspirale müssen sich immer in vollem Eingriff befinden. Überstehende Spannbacken können brechen und im Betrieb wegfliegen (Fig 7).

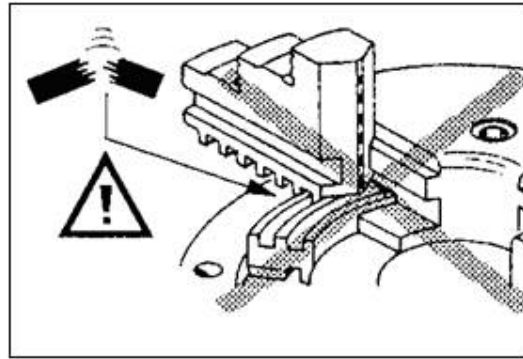


Fig 7

Vermeiden Sie lang ausladende Aufspannungen. Werkstücke können sich verbiegen (Fig8) oder herausgeschleudert werden (Fig 9).

Stützen Sie mit Reitstock oder Lünetten ab.

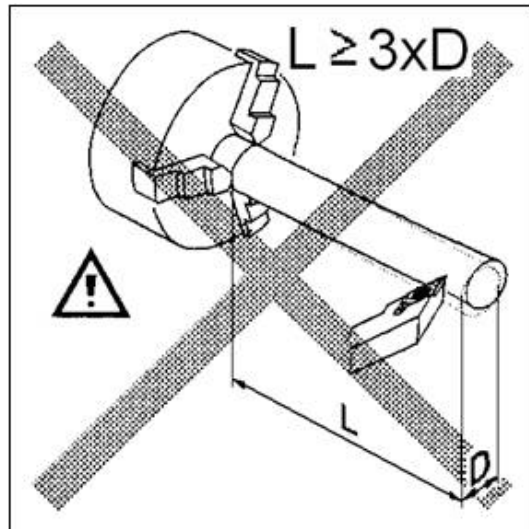


Fig 8

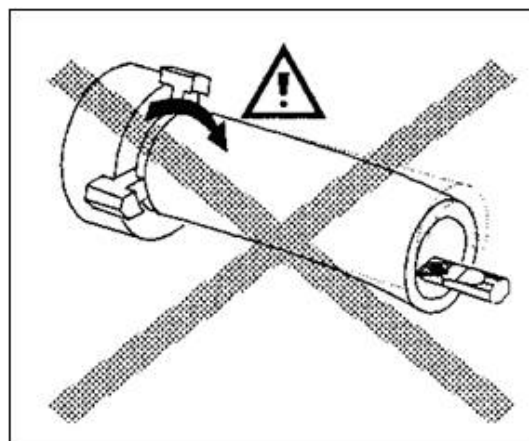


Fig9

Vermeiden Sie kurze Einspannlängen (A, Fig 10) oder das Spannen auf einem kleinen Durchmesser (B).

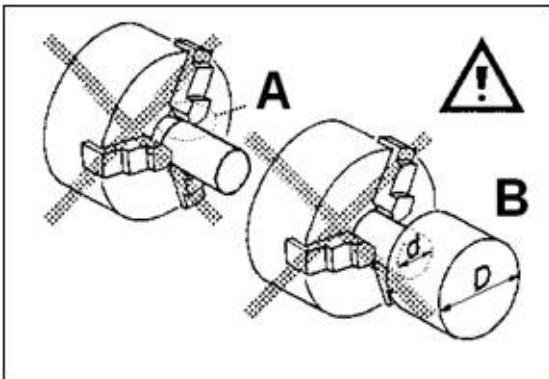


Fig 10

Sorgen Sie für eine stirnseitige Auflage des Werkstücks.

6.2 Einspannen des Drehmeißels

Die Schneidwinkel haben nur dann die gewünschte Größe, wenn die Schneide des Drehmeißels auf die Achsmittle des Werkstückes eingestellt wird.

Die richtige Höhe des Drehmeißels wird durch Einstellen des Drehmeißels auf die Höhe der Körnerspitze unter Verwendung von Unterlagblechen erreicht.

Spannen Sie den Drehmeißel mit mindestens zwei Schrauben am Vierfachstahlhalter fest.

Spannen Sie kurz. Vermeiden Sie große Drehstahlauslagen.

6.3 Wahl der Spindeldrehzahl

Die richtige Spindeldrehzahl hängt von der Art der Bearbeitung, dem Drehdurchmesser, dem Werkstück- und dem Schneidmaterial ab.

Die Drehzahlempfehlungen gelten für einen Drehdurchmesser von 50mm und eine Zerspanung mit einem Hartmetall (HM) Werkzeug.

Aluminium, Messing	1500 U/min
Grauguss:	1000 U/min
Stahl (C15):	800 U/min
Stahl (C45):	600 U/min
Rostfreier Stahl:	300 U/min

Bei Verwendung von Schnellarbeitsstahl (HSS) Werkzeugen ist ca. 1/5 der Drehzahl zu wählen.

Allgemein ausgedrückt:

Im Verhältnis je größer der Drehdurchmesser, desto niedriger die mögliche Drehzahl.

Zum Beispiel:

Stahl (C15) mit 25mm Durchmesser erlaubt eine Drehzahl von

1600 U/min	mit HM Werkzeug
320 U/min	mit HSS Werkzeug

Einstellen der Drehzahl:

Die Drehzahl darf nur bei Spindel- und Motorstillstand gewechselt werden.

Bringen Sie die Drehzahl Wahlhebel (2, Fig 1) in die gewünschte Stellung.

Drehen Sie bei Bedarf das Spannmittel von Hand um die Verzahnung in Eingriff zu bringen.

6.4 Automatischer Längsvorschub

Mit den Wahlhebeln am Vorschubgetriebe (20, 22, 23, Fig 1) stehen jederzeit verschiedenen Längs- und Quervorschübe zur Verfügung.

Verstellung der Wahlhebel niemals bei laufender Maschine vornehmen.

Bewegen Sie den Vorschub-Steuerhebel (14, Fig 2)

- nach Links / Rechts für Längsvorschub
- nach Oben / Unten für Quervorschub

Der richtige Vorschub hängt vom zu zerspanenden Material, der Art der Zerspanung, dem Schneidwerkzeug, der Stabilität der Werkstück-Einspannung, der Spantiefe und der gewünschten Oberflächenqualität ab.

Zum Beispiel:

Außenzerspanung eines gut eingespannten 25mm Werkstücks aus Stahl (C15) mit einem HM Werkzeug bei 1200 U/min.

Schruppzerspanung:

Spantiefe	2mm
Vorschub pro Umdrehung	0,25mm

Schlichtoperation:

Spantiefe	0,5mm
Vorschub pro Umdrehung	0.1mm

Feinschlichtoperation:

Spantiefe	0,2mm
Vorschub pro Umdrehung	0.06mm

Beim Schrappen großer Durchmesser die Spantiefe reduzieren!

6.5 Vorschubsteuerung -Eilgang

Bewegen Sie den Vorschub-Steuerhebel (14, Fig 2)

- nach Links / Rechts für Längsvorschub
- nach Oben / Unten für Quervorschub

Drücken sie den grünen Eilgangtaster am Steuerknüppel, um den Vorschub zu beschleunigen.

Bei Eilgang-Längsvorschub ist das Schlosskastenhandrad außer Betrieb.

Sicherheitshinweis:

Bei Eilgang-Quervorschub muss das Querschlitzen-Handrad ausgekuppelt (herausgezogen) und der Griff abgeklappt sein.

6.6 Gewindeschneiden

Gewinde werden in mehreren Durchgängen mit einem Gewindeformstahl zerspannt.
Die radiale Zustellung sollte jeweils ca. 0,2mm betragen, für die letzten Schlichtschnitte weniger.

Stellen Sie die Wahlhebel für die Gewindesteigung (1, 20, 22, 23, Fig 1) in die richtige Position.

Hinweis:

Grobe Gewinde dürfen nur bei geringen Spindeldrehzahlen geschnitten werden.

A) Schneiden metrischer und zölliger Gewinde:

Stellen Sie die gewünschte Steigung und Spantiefe für den ersten Schnitt ein.

Schließen Sie die Schlossmutter (15, Fig 2).
Die Schlossmutter bleibt während der gesamten Gewindeschneidoperation geschlossen.

- Starten Sie die Maschine mit der langsamsten Drehzahl.
- Bei Schnittende stoppen Sie den Motor und bringen gleichzeitig mittels Querschlitzenhub den Gewindestahl außer Eingriff (Achtung Nachlauf: Stoppen Sie den Motor rechtzeitig)
- Starten Sie den Motor in der Gegendrehrichtung bis sich der Drehstahl wieder in seiner Ausgangslage befindet.

Wiederholen Sie diese Schritte bis zur Fertigstellung des Gewindes.

B) Schneiden metrischer Steigungen mit der Gewindeuhr:

Die meisten metrischen Steigungen können mit Einsatz der Gewindeuhr geschnitten werden.
Hier kann nach jedem Arbeitsgang die Schlossmutter geöffnet und der Längsschlitten mittels Handrad in die Ausgangsstellung zurückgebracht werden.
Die Schlossmutter darf nur an den entsprechenden Gewindeuhr- Skalenstrichen geschlossen werden.



Bei Gewindesteigungen 1 / 1,5 / 2 / 3 / 4 / 6 / 12 mm kann die Schlossmutter jederzeit geschlossen werden. (Leitspindelsteigung = 12mm = teilbar durch Gewindesteigung).

6.7 Bohren

Zur Aufnahme von Spiral- und Zentrierbohrern ist ein selbstzentrierendes Bohrfutter (Option) mit Einsteckzapfen MK-5 erforderlich.

Drehzahlempfehlungen entnehmen Sie bitte dem Kapitel 6.4

Zum Auswerfen des Bohrfutters die Reitstockpinole ganz zurückkurbeln.

7. Rüst- und Einstellarbeiten

Allgemeine Hinweise:

Vor Rüst- und Einstellarbeiten muss die Maschine gegen Inbetriebnahme gesichert werden.

Hauptschalter ausschalten und die Not-Aus Taste drücken!

7.1 Drehen zwischen Spitzen

Das Werkstück im Drehherz spannen und zwischen den Spitzen einspannen.
Die Mitnahme erfolgt über die Mitnehmerscheibe (Fig 11).

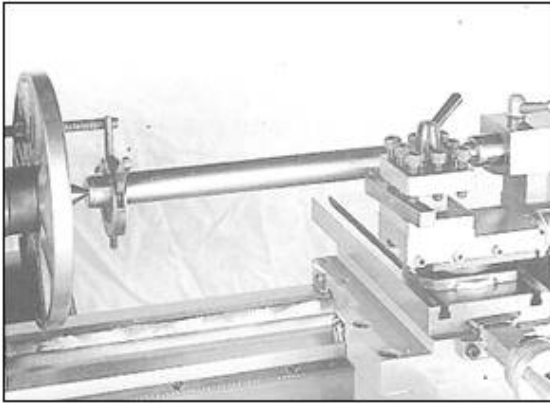


Fig 11

7.2 Konusdrehen mit Reitstock

Bis zu einem Seitenwinkel von 5° können lange Konusse durch Querverstellung des Reitstockes gedreht werden.

Zur Verstellung die Reitstock-Klemmschraube (max. +/-15mm möglich) lösen.

Die Verstellschraube auf der Vorderseite herausdrehen und auf der Rückseite entsprechend nachstellen.

Die Stellschrauben und die Reitstock-Klemmschraube wieder festziehen.

Das Werkstück muss zwischen den Spitzen aufgespannt werden. Die Mitnahme erfolgt mittels Drehherz und Aufspanscheibe.

Nach Beendigung der Konusdreharbeiten wird der Reitstock in seine ursprüngliche Stellung zurückgestellt. Drehen Sie zu Probe und justieren Sie bis die Maschine einwandfrei zylindrisch dreht.

7.3 Konusdrehen mit Oberschlitten

Durch Verstellen des Oberschlittens können kurze Konusse gedreht werden.

Nach Lösen der beiden Sechskantmutter lässt sich der Oberschlitten an Hand der Gradskala einstellen.

7.4 Universal Dreibackenfutter

Mit dem Universal Dreibackenfutter können zylindrische, dreieckige und sechseckige Werkstücke gespannt werden (Fig 12).

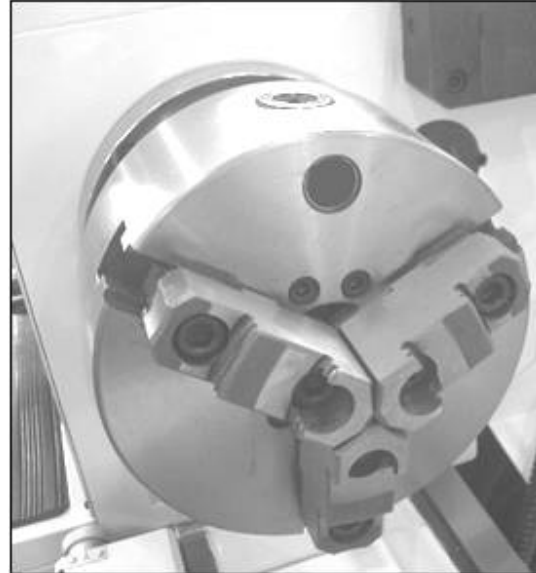


Fig 12

Wenden Sie die Aufsatzbacken zum Spannen großer Durchmesser.

Als Gleitmittel für die Backen empfehlen wir Molykote Paste G, oder ein gleichwertiges Fett.

7.5 Planscheibe

Dieses Drehfutter hat vier einzeln verstellbare Backen.

Dies ermöglicht das Spannen viereckiger und unsymmetrischer Werkstücke sowie das genau zentrische Ausrichten zylindrischer Teile.

7.6 Mitlaufkörnerspitze

Die Mitlaufkörnerspitze ist voll wälzgelagert und für alle Drehzahlen über 200 U/min unbedingt zu empfehlen.

Zum Auswerfen des Mitlaufkörners die Reitstockpinole ganz zurückkurbeln.

7.7 Steh- und Mitlauf­lünette

Stehlünette

Die Stehlünette dient vorwiegend zum Abstützen von längeren Werk­stücken und sorgt für eine sichere und vibrationsfreie Bearbeitung.

Die Stehlünette wird mit einer Untergriffplatte am Maschinenbett befestigt.

Stellen Sie die Gleitbacken spielfrei an das Werk­stück ohne es zu klemmen.

Während des Laufs die Gleitbacken gut schmieren.

Lauf­lünette

Die Mitlauf­lünette wird auf den Längsschlitten aufgesetzt und macht so die Bewegung des Dreh­meißels mit. Sie verhindert das Durchfedern von langen und dünnen Werk­stücken unter dem Druck des Dreh­meißels.

Stellen Sie die Gleitbacken spielfrei an das Werk­stück ohne es zu klemmen.

Während des Laufs die Gleitbacken gut schmieren.

7.8 Bett­brücke Entfernung

Ziehen Sie die Kegelstifte (A, Fig 13) durch anziehen der Muttern.

Entfernen Sie die Schrauben (B).

Die Bett­brücke kann nun abgehoben werden.

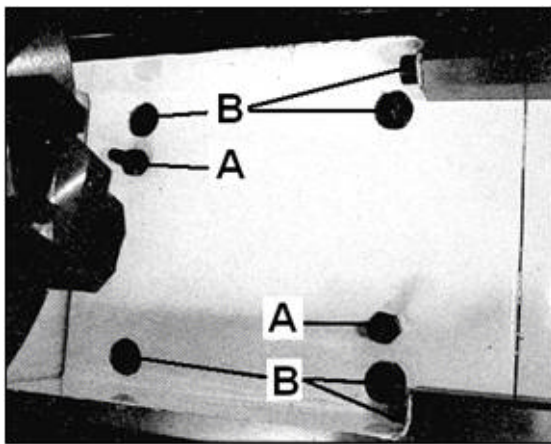


Fig 13

Vor Anbringen der Bett­brücke die Kontakt­flächen gründlich reinigen.

Entfernen Sie die Muttern von den Kegelstiften.

Schieben Sie die Kegelstifte in die Löcher und schlagen sie mit einem Hammer ein.

Ziehen Sie die Schrauben an.

7.9 Einstellung von Gewindesteigung und Vorschub

Um verschiedene Gewindesteigungen und verschiedene Vorschubeinstellungen zu erzielen, müssen die vier Handgriffe 1, 23, 22 und 20 gemeinsam verwendet werden.

Handgriff 1 wird zur Richtungs­auswahl der Gewindesteigung verwendet. Wegen der Freilaufkupplung des Schlosskastens erfolgt ein Vorschub nur dann, wenn das zu schneidende Gewinde ein Rechtsgewinde ist.



Rechtsgewinde, Vorschub



Linksgewinde, kein Vorschub

Handgriff 23 wird für die Auswahl des Gewindetyps verwendet. Gleichzeitig kann hier die Vorschubgeschwindigkeit verändert werden.

t ----- für metrische Gewinde

n ----- für zöllige Gewinde

m ----- für Modulgewinde

DP ----- für Diametral-Gewinde

“• -” ----- Direkter Antrieb der Leitspindel (nicht über das Vorschubgetriebe)

Handgriff 22 dient zur Auswahl von Steigung und Vorschub.

Handgriff 20 verdoppelt Steigung und Vorschub

I, II, III, IV: Betrieb der Leitspindel zum Gewindeschneiden.

A, B, C, D: Betrieb der Zugspindel zum Vorschub

Verhältnisse zwischen beiden:

$$I: II: III: IV = A: B: C: D = 1: 2: 4: 8$$

Wenn ein nicht in der Gewindetabelle enthaltenes Gewinde zu schneiden ist, folgende Einstellung vornehmen:

Handgriff 23 in Stellung “• -”

Handgriff 20 in Stellung “IV”,

für Direktantrieb der Leitspindel.

Die Wechselräder entsprechend der gewünschten Gewindesteigung wählen.

Vorsichtsmaßnahmen beim Betrieb der Maschine:

Prüfen Sie vor dem Start der Maschine, ob alle beweglichen Teile ordnungsgemäß geschmiert sind.

Stellen Sie sicher, dass sich der Starthebel in Nullstellung befindet.

Betätigen Sie den Netz-Kontrolltaster; die Kontrolllampe leuchtet auf. Nun kann die Maschine gestartet werden.

Machen Sie sich mit Antriebssystem, Funktion und Einstellung der Maschine vertraut.

Prüfen Sie alle Bedienhebel und -handgriffe vor dem Starten der Maschine.

Prüfen Sie, ob die Hebel in der korrekten Position sind. Stellen Sie sicher, dass die Hebel festgestellt sind.

Ein Verstellen der Wahlhebel darf nur im Maschinenstillstand erfolgen.

8. Beschreibung der wichtigsten Maschinenteile

Motor und Riementrieb:

Der Hauptmotor befindet sich links im Maschinesockel, die Kühlmittleinrichtung im rechten Teil.

Die Keilriemen kann mit Hilfe der Stellmuttern gespannt werden (Siehe Fig 14).

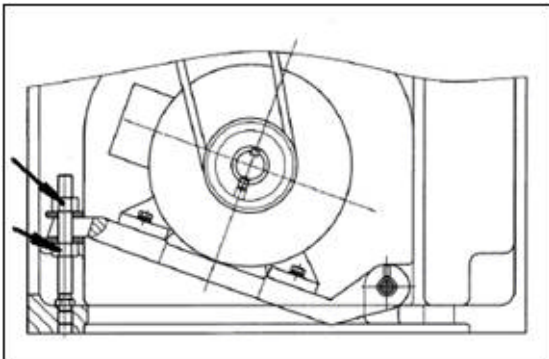


Fig 14

Spindelstock mit Kupplung:

Über eine Mehrscheiben-Lamellenkupplung und mehrere Getriebestufen wird das Drehmoment auf die Hauptspindel übertragen.

Es gibt zwei Kupplungen, eine für Spindel-Vorlauf und eine für Spindel-Rücklauf.

Kupplungs-Einstellung:

Die Kupplungen müssen richtig eingestellt sein.

- Bei zu locker eingestellter Kupplung wird zu wenig Kraft übertragen; außerdem kommt es leicht zum Kupplungs-Rutschen mit der Gefahr der Überhitzung.

- Bei zu streng eingestellter Kupplung wird die Bedienung des Spindel Vorlauf / STOP / Rücklauf Hebels erschwert und die Kupplung rastet nicht mehr ein.

Die Überlast-Schutzfunktion geht verloren.

- Die Maschine vor unbeabsichtigter Inbetriebnahme sichern (Hauptschalter absperren).

- Entfernen Sie den Spindelstockdeckel (der Deckel ist aus Kunststoff gefertigt, eine einzelne Person kann ihn abheben).

- Mit Hilfe eines Schraubenziehers den Rastbolzen (B, Fig 15, Fig 16) an der zu verstellenden Kupplung eindrücken....der Rastbolzen ist federbelastet.

- Drehen Sie den Stellring (A) um eine Rastung weiter.

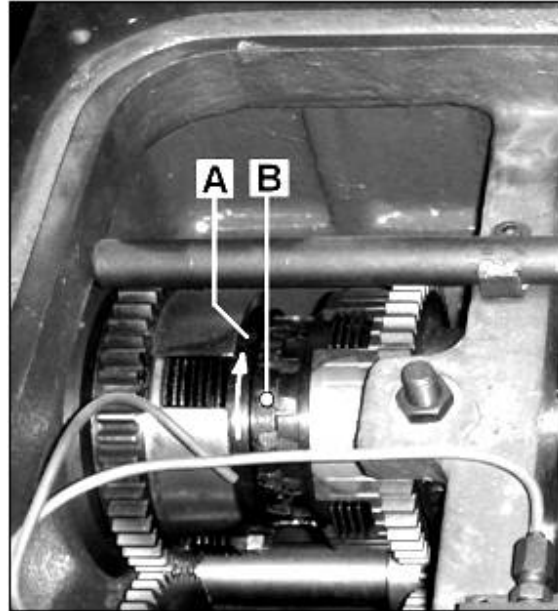


Fig 15

Hinweis:

Die Kupplung reagiert sofort auf Verstellung, drehen Sie den Stellring (A) nur um eine Teilung weiter.

Eine zu streng eingestellte Kupplung rastet nicht mehr ein.

Das Einrasten der Kupplung muss fühlbar und hörbar sein....Klickgeräusch!

Wenn die Spindel in der STOP-Position nicht zum Stillstand kommt, dann sind die beiden Kupplungen für Vorlauf und Rücklauf nicht gleichmäßig eingestellt.

(Die Spindel folgt der strenger eingestellten Kupplung).

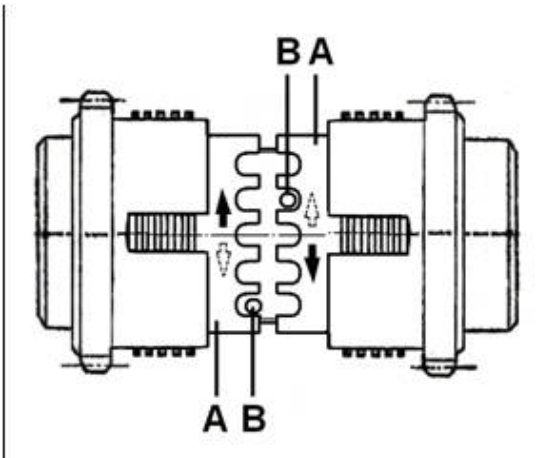


Fig 16

- Montieren Sie den Spindelstockdeckel.
- Prüfen Sie die Funktion der Kupplungen (bei Bedarf nachjustieren).

Bremse:

Im Notfall kann die Maschine mit der Fußbremse gestoppt werden. Bei Betätigung der Bremse wird der Motor ausgeschaltet und mechanisch gebremst.

Das Bremsband kann nachgestellt werden. (siehe Fig 17).

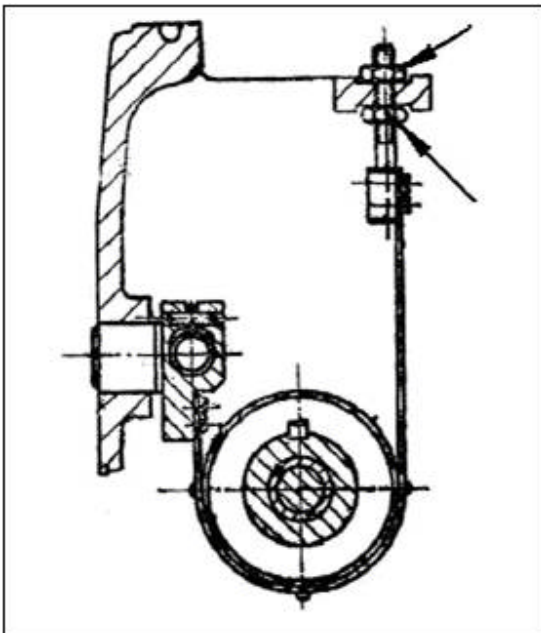


Fig 17

Hauptspindel und Halterungen:

Die Spindellagerung kann an den Konussitzen nachgestellt werden.

Zunächst die Stellmutter (1, Fig 18) lösen, das Sicherungsblech entfernen und die Stellmutter (2) lösen.

Die Lagerluft mit den Stellmutter (3 und 4) einstellen. Nach dem Einstellvorgang alle Stellmutter festziehen und sichern.

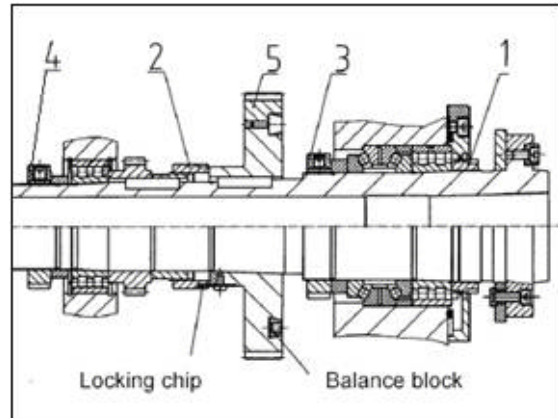


Fig 18

Nach dem Einstellvorgang die Leichtgängigkeit der Spindelrotation prüfen.

Die Maschine im Leerlauf auf höchster Drehzahl laufen lassen. Die Temperatur muss unter 70°C bleiben.

Vorschubgetriebe:

Ist so konstruiert, dass die meisten Gewinde ohne Umstecken von Wechselrädern geschnitten werden können.

Leitspindel:

Axiales Spiel der Leitspindel kann durch Einstellen der Mutter (1, Fig 19) beseitigt werden.

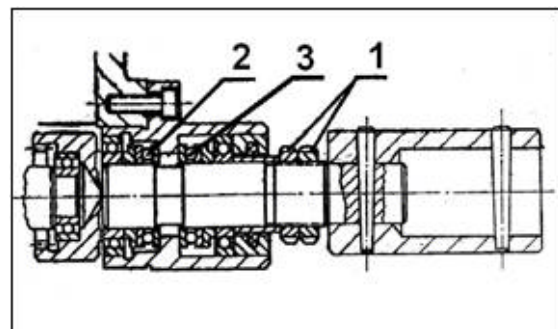


Fig 19

Schlosskasten:

Der Kraftfluss führt von der Zugspindel zum Schlosskasten, über die einstellbare Rutschkupplung zur Schneckenwelle und über die Schaltkupplungen zur Längs- oder Querbewegung.

Um einen Eilgang jederzeit zu ermöglichen, ist die Schneckenwelle mit einer Freilaufkupplung ausgestattet.

Bei Abschalten des Eilgangs wird automatisch in den Normalvorschub zurückgeschaltet.

Einstellbare Vorschub-Rutschkupplung:

Zum Einstellen der Vorschub-Rutschkupplung, entfernen Sie die Gehäuseabdeckung (1, Fig 20).

Lösen Sie die Kontermutter und stellen Sie das Rutschmoment an der Schraube (2) ein.

Stellen Sie die Kupplung nicht auf Block, da sonst keine Schutzfunktion gegeben ist und die Maschine beschädigt werden kann.

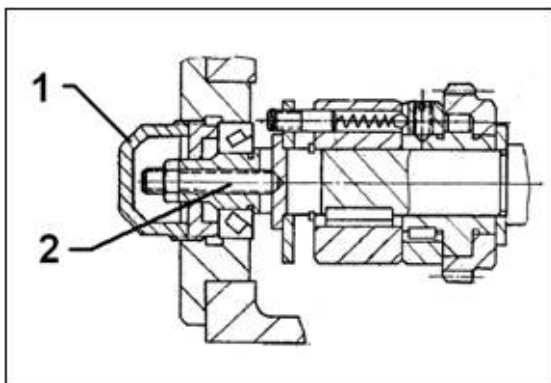


Fig 20

4-fach-Stahlhalter

Beim Lösen des Spannhebels wird der Indexierstift angehoben und der 4-fach Stahlhalter weitergedreht.

Falls der 4-fach Stahlhalter während des Stahlwechsels nicht in der gewünschten Weise einrastet, verstellen Sie die Federkraft der Kuglraste (2, Fig 21)

Falls der Stahlhalter zu weit schwenkt, stellen Sie die Schraube nach.

Zum Demontieren des Stahlhalters entfernen Sie die Schrauben 1 und 2 sowie die Feder 3 und Kugel 4. Anschließend können Spannhebel und Stahlhalter entfernt werden.

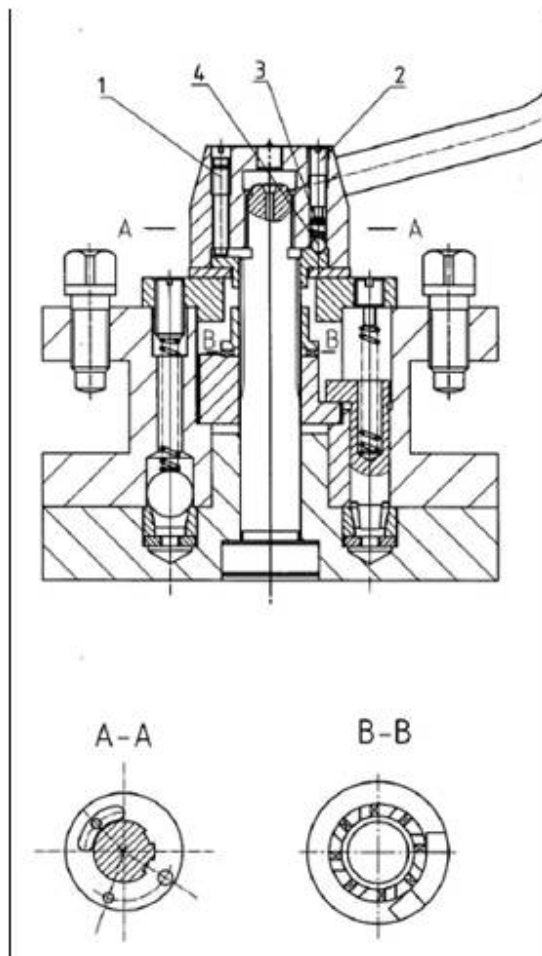


Fig 21

Querschlitten:

Das axiale Spiel des Querschlittens kann beseitigt werden.

Entfernen Sie zuerst das Abdeckblech (3, Fig 22) vom Querschlitten.

Lösen Sie Stellschraube (1) der Querspindelmutter.

Ziehen Sie Innensechskantschraube 2 fest, bis kein Umkehrspiel mehr gegeben ist.

Ziehen Sie die Stellschraube wieder fest.

Das Abdeckblech wieder anbringen.

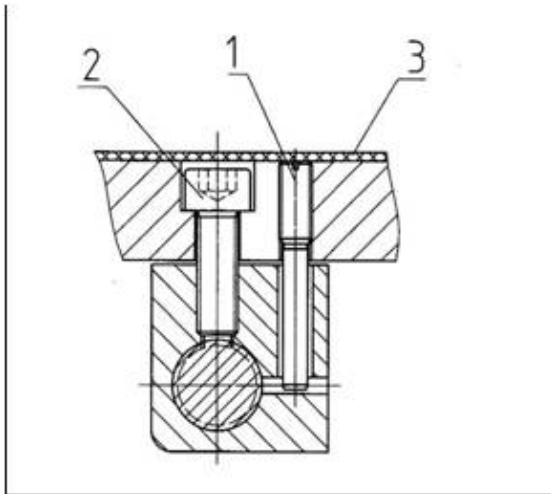


Fig 22

Die Schwalbenschwanzführungen an Quer- und Oberschlitten können durch Keilleisten eingestellt werden.

Reitstock

Eine Querverstellung des Reitstocks zum Drehen schlanker Konusse zwischen Spitzen ist möglich.

Lösen Sie die Stellschrauben (2, Fig 23)

Die Querverstellung mit den Schrauben (1, Fig 24) einstellen.

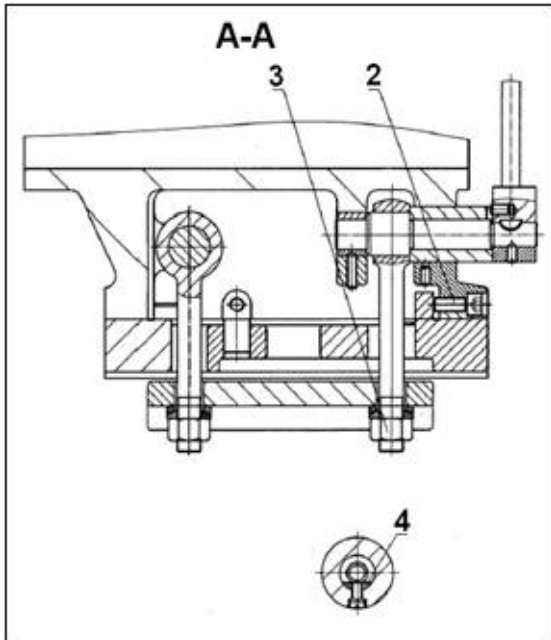


Fig 23

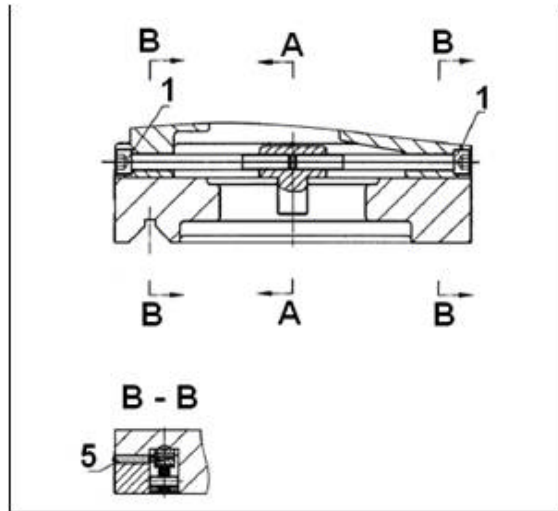


Fig 24

Wechselräderschere

Für die meisten Gewinde kann die Standardeinstellung verwendet werden. (Fig 25, 26)

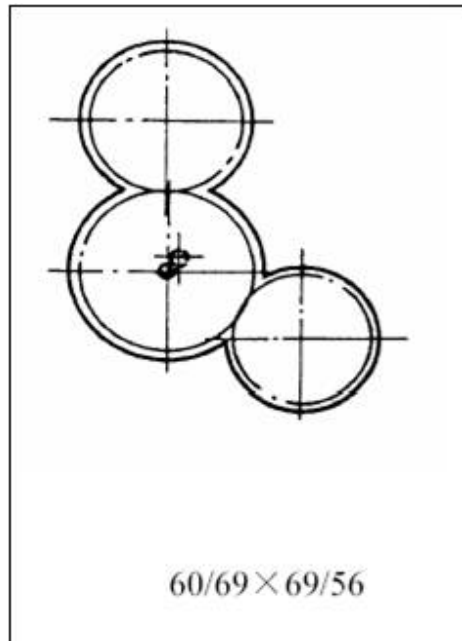


Fig 25

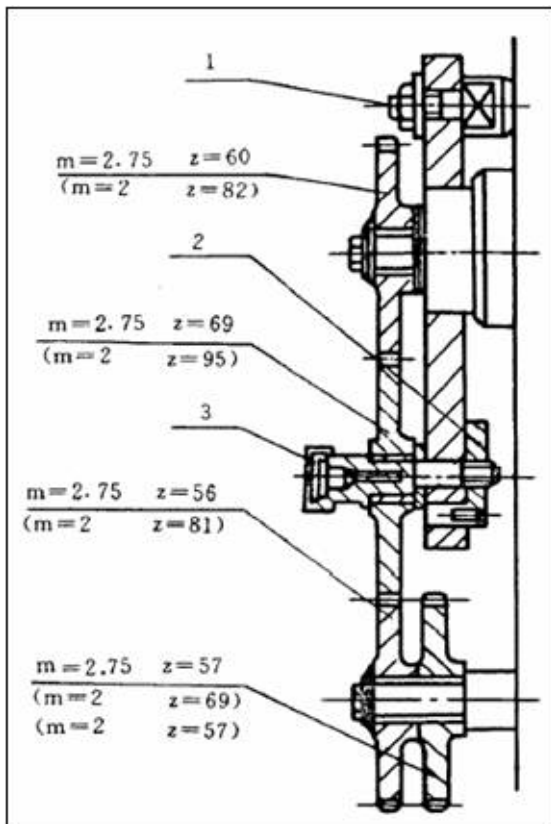


Fig 26

Nur für zöllige Gewinde 19 TPI und $11\frac{1}{2}$ TPI ist ein Umstecken der Wechselräder erforderlich (Fig 27, 28).

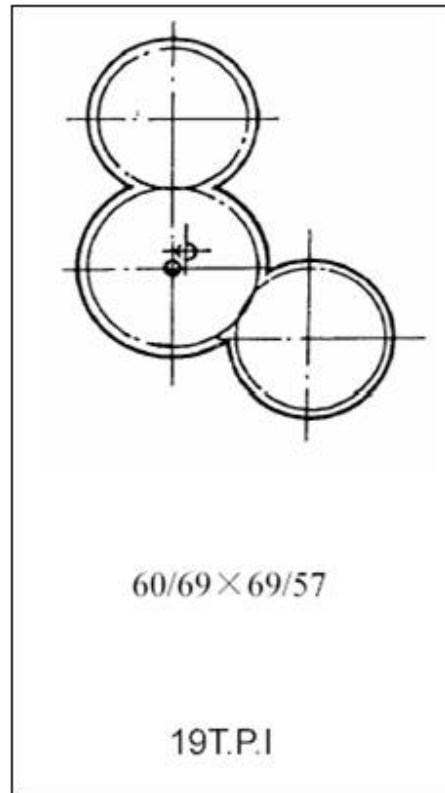


Fig 27

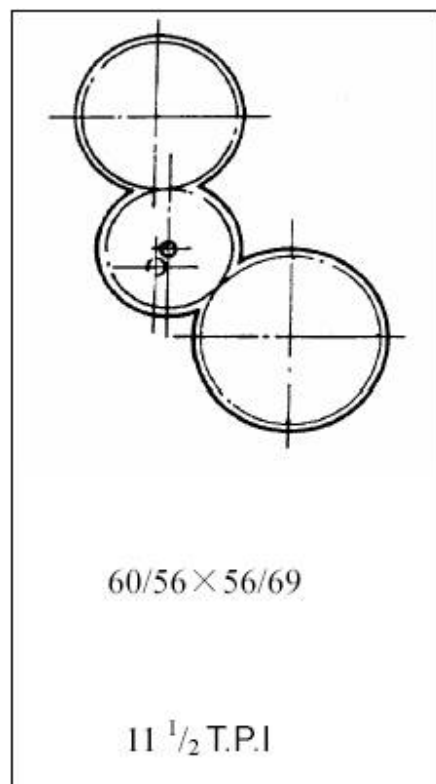


Fig 28

9. Wartung und Inspektion

Allgemeine Hinweise:

Vor Wartungs- Reinigungs- und Reparaturarbeiten muss die Maschine gegen unbeabsichtigte Inbetriebnahme gesichert werden.

Hauptschalter absperren!

Reinigen Sie die Maschine in regelmäßigen Zeitabständen.

Beschädigte Sicherheitseinrichtungen sofort ersetzen.

Anschlüsse und Reparaturen der elektrischen Ausrüstung dürfen nur von einer Elektrofachkraft durchgeführt werden.

9.1 Maschinen-Schmierung

Bitte beachten Sie das Diagramm zur Maschinenschmierung (Fig 29) sowie die Kapitel 9.2 bis 9.4

Alle beweglichen Teile der Maschine müssen jederzeit gut geschmiert sein.

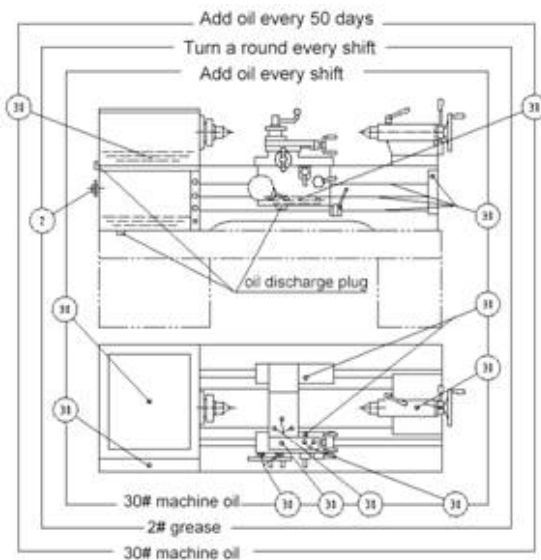


Fig 29

Schmierung des Spindelstocks:

Eine Ölpumpe (Fig 30) wird von der Riemenscheibenwelle angetrieben.

Das Öl wird über einen Filter aus dem Ölbad angesaugt und schmiert die Zahnräder, Kupplungen und Lager im Spindelstock (Fig 31)

Die Funktion der Ölpumpe kann über das hochgelegene Ölchauglas vorne am Spindelstock kontrolliert werden.

Der Ölstand kann am tiefer liegenden Ölstandsauge kontrolliert werden (befindet sich bei GH-26xxZH Maschinen auf der Maschinerückseite).

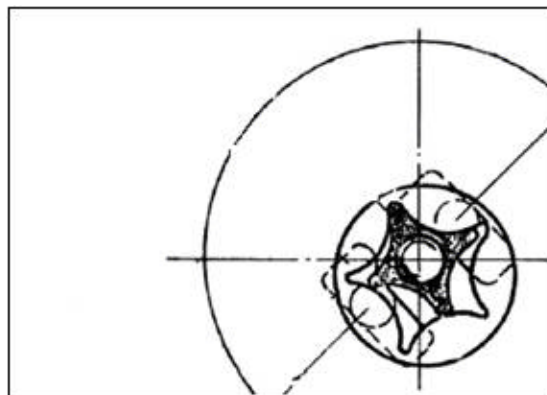


Fig 30

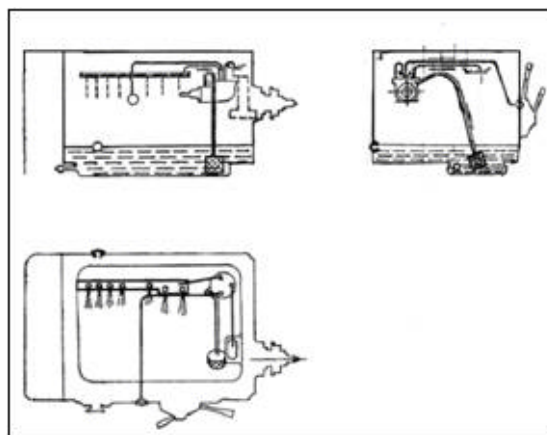


Fig 31

Schmierung des Vorschubgetriebes:

Der Ölstand kann am Ölstandsauge links am Vorschubgetriebe abgelesen werden.

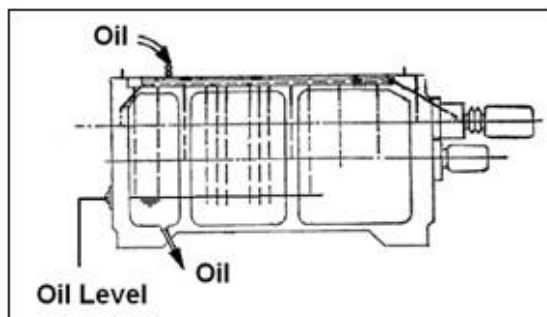


Fig 32

Schmierung des Schlosskastens:

Der Ölstand kann am Ölstandsauge vorn am Schlosskasten kontrolliert werden (Fig 33)

Die Öl-Füllschraube entfernen und mit einer Ölkanne nachfüllen.

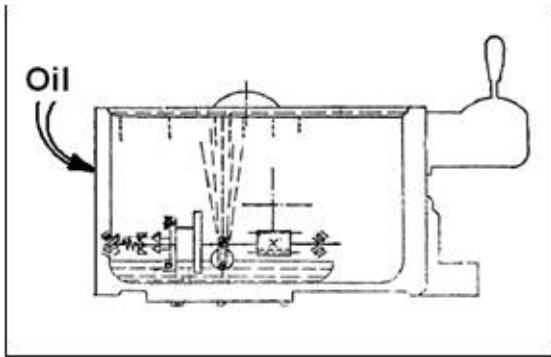


Fig 33

Die Leit- und Zugspindel werden durch ein vom Ölbad ausgehendes Wolffutter automatisch geschmiert.

Schmierung der Bettschlitten Führungsbahnen:

Die Führungsbahnen des Bettschlittens werden durch regelmäßiges Betätigen der Schlitten-Zentralschmierung am Schlosskasten geschmiert (je nach Verwendung der Maschine täglich mehrmals schmieren)

Schmierung Querschlitten, Oberschlitten:

Die Führungsbahnen von Querschlitten und Oberschlitten sowie Querspindel und Oberspindel müssen mit der Ölpistole geschmiert werden.

Schmierung Stahlhalter, Reistock:

Der 4-fach Stahlhalter, die Reistockpinole und die Reistockspindel müssen mit der Ölpistole geschmiert werden.

Schmierung der Wechselräder:

Die Wechselrad Lagerbüchsen werden mit der Fettpresse am Fettnippel geschmiert.

Die Wechselrad Zahnung mit einem Haftfett einfetten.

Schmierung der Zahnstange:

Die Zahnung mit einem Haftfett einfetten.

9.2 Schmierung jährlich

- Spindelstock:

Wechsel des Schmieröls (.....15 Liter)

DIN 51517-2 CL ISO VG32

(z.B. BP Energol HLP32, Castrol Hyspin AWS 32, Mobil DTE Oil Light)

Der Ölstand muss bis zur Markierung der Ölstandsanzeige reichen.

Die Nachfüllung erfolgt an der Verschluss-Schraube am Spindelstock unter der Gummimatte.

Wechseln Sie das Öl nach dem ersten Betriebsmonat

Entfernen Sie die Verschluss-Schraube.

Entfernen Sie jeglichen Metallabrieb.

Füllen Sie mit neuem Öl auf.

Von nun an wechseln Sie das Öl jährlich (bzw. alle 700 Betriebsstunden).

- Vorschubgetriebe:

Wechsel des Hydrauliköls (.....2 Liter)

DIN 51517-2 CL ISO VG 32

(z. B. BP Energol HLP32, Castrol Hyspin AWS 32, Mobil DTE Oil Light)

Der Ölstand muss bis zur Markierung der Ölstandsanzeige reichen.

Die Nachfüllung erfolgt an der oberen Abdeckung.

Wechseln Sie das Öl nach dem ersten Betriebsmonat

durch Entfernen der Ablass-Schraube.

Füllen Sie mit neuem Öl auf.

Von nun an wechseln Sie das Öl jährlich (bzw. alle 700 Betriebsstunden).

- Schlosskasten:

Wechsel des Hydrauliköls (.....2 Liter)

DIN 51517-2 CL ISO VG 32

(z. B. BP Energol HLP32, Castrol Hyspin AWS 32, Mobil DTE Oil Light)

Der Ölstand muss bis zur Markierung der Ölstandsanzeige reichen.

Die Nachfüllung erfolgt an der Verschluss-Schraube.

Wechseln Sie das Öl nach dem ersten Betriebsmonat

durch Entfernen der Ablass-Schraube auf der Unterseite.

Füllen Sie mit neuem Öl auf.

Von nun an wechseln Sie das Öl jährlich (bzw. alle 700 Betriebsstunden).

9.3 Schmierung wöchentlich:

Wöchentlich die Ölstandsanzeigen kontrollieren und bei Bedarf nachfüllen.

Wöchentlich fetten:

DIN 51807-1 Haftfett

(z.B. BP L2, Mobilgrease Special).

- Zahnstange

Zahnstange durchgängig fetten.

- Wechselräder

Wechselräder Zähne leicht fetten.

9.4 Schmierung täglich:

Täglich ölen:

DIN 51502 CG ISO VG 68

(z. B. BP Maccurat 68, Castrol Magna BD 68, Mobil Vectra 2)

- Oberschlitten

Ölen der Schmiernippel

- Querschlitten

Ölen des Schmiernippels

- Leit- und Zugspindel Flansch

Ölen der Schmiernippel

- Reitstock

Ölen des Schmiernippels

Betätigen Sie mehrmals täglich die Bettschlitten Zentralschmierung.

9.5 Kühlmiteleinrichtung

Entfernen Sie das Abdeckblech am Maschinenständer.

Füllen Sie 15 Liter Kühlemulsion in den Behälter.

Beachten Sie die Hinweise des Kühlmittel Herstellers bezüglich Anwendung, Wartung und Entsorgung.

9.6 Scherstiftwechsel

Leit- und Zugspindel sind mit Scherstiften versehen um den Antrieb bei Überlast zu Schützen.

Sollte ein Scherstift brechen, so ist er durch einen neuen zu ersetzen

Den alten Scherstift mit einem Durchschlag entfernen.

Die Bohrungen zueinander ausrichten.

Einen neuen Original- Scherstift einsetzen.

9.7 Spindelstock Ausrichtung

Der Spindelstock wurde ab Werk genau ausgerichtet.

Prüfen Sie die Ebenheit des Maschinenbetts bevor Sie fortschreiten.

Drehen Sie ein zylindrisches Prüfwerkstück. Der Drehdurchmesser muss auf der ganzen Länge gleich sein.

Falls Ausrichtung erforderlich:

Lösen Sie die 4 Bettbefestigungsschrauben.

Nur leicht lösen, etwas Haftung sollte bleiben.

Mit den seitlichen Stellschrauben den Spindelstock genau ausrichten.

Die Bettbefestigungsschrauben gut festziehen.

9.8 Schlittenführung Nachstellung

Alle Schlitten sind mit nachstellbaren Keilleisten ausgestattet.

Lösen Sie die hintere Klemmschraube eine Umdrehung

Stellen Sie an der vorderen Klemmschraube ¼ Umdrehung nach.

Prüfen Sie das Schlittenspiel und wiederholen Sie nach Bedarf.

Ziehen Sie die hintere Klemmschraube nur leicht fest.

9.9 Allgemeine Wartungshinweise:

Schmierung:

Der Ölstand sollte in der Mitte des Ölstandsauges sein, um eine vollständige Schmierung zu gewährleisten. Er sollte nicht zu hoch sein, da sonst Öl austreten kann. Prüfen Sie den Ölstand deshalb regelmäßig.

Keilriemen:

Prüfen Sie regelmäßig die Keilriemenspannung. Lose Keilriemen rutschen durch und haben eine reduzierte Lebensdauer.

Spindelstock Kupplung:

Die Spindelstock-Kupplungen müssen richtig eingestellt sein.

- Bei zu locker eingestellter Kupplung wird zu wenig Kraft übertragen; außerdem kommt es leicht zum Kupplungs-Rutschen mit der Gefahr der Überhitzung.

- Bei zu streng eingestellter Kupplung wird die Bedienung des Spindel Vorlauf / STOP / Rücklauf Hebels erschwert und die Kupplung rastet nicht mehr ein.

Die Überlast-Schutzfunktion geht verloren.

Siehe Kapitel 8 bezüglich Kupplungs-Einstellung.

Bremse:

Bei Nachlassen der Bremswirkung die Bandbremse sofort nachstellen.

Niemals den Spindellauf Wahlhebel (also die Spindelstock Kupplungen) zum Bremsen verwenden.

Reinigung:

Entfernen Sie regelmäßig Schmutz und Kühlmittel in der Nähe des 4-fach Stahlhalters um seine Indexiergenauigkeit zu erhalten.

10. Störungsabhilfe

Motor startet nicht

*Futterschutz offen-
Futterschutz schließen

*Räderdeckel offen-
Räderdeckel schließen

*Kein Strom-
Netzsicherung prüfen.

*Motor, Schalter oder Kabel defekt-
Elektrofachkraft kontaktieren.

Unzureichende Zerspanungsleistung

*Kupplung rutscht-
Kupplung im Spindelstock einstellen.

*Riemen rutschen-
Keilriemen nachspannen.

Spindel-Hochlauf dauert zu lange

*Kupplung rutscht-
Kupplung im Spindelstock einstellen.

*Riemen rutschen-
Keilriemen nachspannen.

Maschine vibriert

*Werkstück unwuchtig-
Unwucht ausgleichen, Drehzahl reduzieren.

*Werkstück instabil gespannt-
Einspannlänge oder -durchmesser verbessern,
Reitstockende unterstützen.

*Werkzeug instabil gespannt-
Werkzeu glänge reduzieren.

*Schlitten haben Führungsspiel-
Führungsleisten einstellen.

*Schlittenführungen laufen trocken-
Führungen ölen.

*Werkzeugschneide stumpf-
Werkzeug schärfen oder tauschen.

*Schnittdruck zu hoch-
Spantiefe oder Vorschub reduzieren.

Drehstahl glüht aus

*Schnittgeschwindigkeit zu hoch-
Drehzahl reduzieren.

*Werkzeugschneide verschlissen-
Werkzeug schärfen.

Maschine dreht konisch

*Reitstock ist seitlich versetzt-
Reitstock ausrichten.

*Maschinenbett ist verdreht-
Aufspannflächen müssen eben sein.

Kein automatischer Vorschub

*Scherstift ist gebrochen-
Scherstift tauschen.

11. Umweltschutz

Schützen Sie die Umwelt!

Ihr Gerät enthält mehrere unterschiedliche ,
wiederverwertbare Werkstoffe.
Bitte entsorgen Sie es nur an einer spezialisierten
Entsorgungsstelle.

12. Lieferbares Zubehör

Siehe die Jet Preisliste.

FR - FRANCAIS

Mode d'emploi

Cher client,

Nous vous remercions de la confiance que vous nous portez avec l'achat de votre nouvelle machine JET. Ce manuel a été préparé pour l'opérateur du tour à métaux **GH-2040/ 2060/ 2080/ 2640/ 2660/ 2680/ 26120 ZH**. Son but, mis à part le fonctionnement de la machine, est de contribuer à la sécurité par l'application des procédés corrects d'utilisation et de maintenance. Avant de mettre l'appareil en marche, lire les consignes de sécurité et de maintenance dans leur intégralité. Pour obtenir une longévité et fiabilité maximales de votre scie, et pour contribuer à l'usage sûr de la machine, veuillez lire attentivement ce mode d'emploi et suivre les instructions.

Table des Matières

1. Déclaration de conformité
2. Prestations de garantie
3. Sécurité
4. Spécifications
5. Transport et montage
6. Fonctionnement de la machine
7. Equipement et réglages
8. Description de la machine
9. Entretien et inspection
10. Détecteur de pannes
11. Protection de l'environnement
12. Accessoires

1. Déclaration de conformité

Par le présent et sous notre responsabilité exclusive, nous déclarons que ce produit satisfait aux normes* conformément aux lignes directrices indiquées page 2. Lors de la construction, les normes** suivantes ont été respectées.

2. Prestations de garantie

Le vendeur garantit que le produit livré est exempt de défauts de matériel et de fabrication. La présente garantie ne s'applique pas aux défauts résultant d'une utilisation directe ou indirecte incorrecte, de l'inattention, d'un accident, d'une réparation, d'une maintenance ou d'un nettoyage insuffisant, ou encore de l'usure normale.

Il est possible de faire valoir des prétentions en garantie dans les 12 mois suivant la date de la vente (date de la facture). Toute autre prétention est exclue.

La présente garantie comprend toutes les obligations de garantie incombant au vendeur et remplace toutes les déclarations et conventions antérieures en termes de garanties.

Le délai de garantie s'applique pour une durée d'exploitation de huit heures par jour. Au-delà, le délai de garantie diminue proportionnellement au dépassement, mais pas en deçà de trois mois.

Le renvoi d'une marchandise faisant l'objet d'une réclamation requiert l'accord préalable exprès du vendeur et s'effectue aux frais et aux risques de l'acheteur.

Les prestations de garantie détaillées figurent dans les Conditions générales (CG). Ces dernières sont disponibles sur www.jettools.com ou peuvent être envoyées par la poste sur demande.

Le vendeur se réserve le droit de modifier à tout moment le produit et les accessoires.

3. Sécurité

3.1 Utilisation conforme

Ce tour à métaux convient seulement au tournage et au perçage des matières synthétiques et des métaux usinables. Le travail d'autres matériaux est interdit et ne peut être effectué que dans des cas spéciaux et après accord du fabricant de la machine.

**Ne jamais usiner du Magnésium
Dangers d'incendies**

La pièce doit se laisser poser et serrer sans problème.

L'utilisation conforme implique le strict respect des instructions de service et de maintenance indiquées dans ce manuel.

La machine doit être exclusivement utilisée par des personnes familiarisées avec le fonctionnement, la maintenance et la remise en état, et qui sont informées des dangers correspondants.

L'âge minimum requis par la loi est à respecter.

La machine ne doit être utilisée que si elle est en parfait état.

N'utiliser la machine que si tous les dispositifs de sécurité et de protection sont en place.

En plus des directives de sécurité contenues dans ce mode d'emploi et des consignes de sécurité en vigueur dans votre pays, il faut respecter les règles générales concernant l'utilisation des machines pour le travail des métaux.

Toute utilisation sortant de ce cadre est considérée comme non-conforme et le fabricant décline toute responsabilité, qui est dans ce cas, rejetée exclusivement sur l'utilisateur.

3.2 Consignes de sécurité

L'utilisation non-conforme d'une machine pour le travail des métaux peut être très dangereuse. C'est pourquoi vous devez respecter scrupuleusement les consignes de lutte contre les accidents et les instructions suivantes.

Lire attentivement et comprendre ce mode d'emploi avant de monter ou d'utiliser votre appareil.

Conserver à proximité de la machine tous les documents fournis avec l'outillage (dans une pochette en plastique, à l'abri de la poussière, de l'huile et de l'humidité) et veiller à joindre cette documentation si vous cédez l'appareil.

Ne pas effectuer de modifications à la machine. Utiliser les accessoires recommandés, des accessoires incorrects peuvent être dangereux.

Chaque jour avant d'utiliser la machine, contrôler les dispositifs de protection et le fonctionnement impeccable.

En cas de défauts à la machine ou aux dispositifs de protection avertir les personnes compétentes et ne pas utiliser la machine. Déconnecter la machine du réseau.

Avant de mettre la machine en marche, retirer cravate, bagues, montre ou autres bijoux et retrousser les manches jusqu'aux coudes. Enlever tous vêtements flottants et nouer les cheveux longs.

Porter des chaussures de sécurité, surtout pas de tenue de loisirs ou de sandales.

Veiller toujours à état sûr.

Porter des équipements de sécurité personnels pour travailler à la machine.

Ne pas porter de gants pendant l'usinage.

Porter des lunettes de protection pendant le travail.

Placer la machine de sorte à laisser un espace suffisant pour la manœuvre et le guidage des pièces à usiner.

Veiller à un éclairage suffisant.

Effectuer le montage de la machine dans un local fermé, placer la machine sur un sol stable et plat.

S'assurer que le câble d'alimentation ne gêne pas le travail ni ne risque de faire trébucher l'opérateur.

Retirer toute pièce encombrante de la zone de travail.

Rester vigilant et concentré et travailler avec bon sens.

Eviter toute position corporelle anormale. Veiller à une position stable et garder un bon équilibre à tout moment.

Ne pas travailler sous l'influence de drogues, d'alcool ou de médicaments.

Ne jamais mettre la main dans la machine en marche.

Ne jamais laisser la machine en marche sans surveillance. Arrêter la machine avant de quitter la zone de travail.

Eloigner de la machine toutes personnes incompetentes, surtout les enfants.

Ne pas mettre la machine à proximité de liquides ou de gaz inflammables, respecter les consignes de lutte contre les incendies, Par ex. le lieu et l'utilisation des extincteurs.

Préserver la machine de l'humidité et ne jamais l'exposer à la pluie.

N'utiliser que des outils bien affûtés.

Ne jamais travailler avec les protections de mandrin, des copeaux ou de courroie ouvertes.

Avant de débiter l'usinage, retirer la clé de montage de mandrin et autres outils.

Se tenir aux spécifications concernant la dimension maximale ou minimale de la pièce à usiner.

Ne pas enlever les copeaux et les pièces usinées avant que la machine ne soit à l'arrêt.

Ne pas monter sur la machine.

Tous travaux de branchement et de réparation sur l'installation électrique doivent être exécutés uniquement par un électricien qualifié.

Remplacer immédiatement tout câble endommagé ou usé.

Eloigner suffisamment les doigts des outils en rotation et des copeaux.

Avant de commencer le travail, contrôler que la pièce est bien assurée.

Ne pas dépasser la limite de serrage du mandrin de tournage.

Si la longueur de la pièce est 3x supérieure au diamètre de serrage, il faut la tenir avec la contre-pointe.

Éviter les petits diamètres de serrage pour les gros diamètres de tournage.

Éviter les serrages courts.

La vitesse limite de l'accessoire de serrage ne doit jamais être dépassée.

Ne tarauder, fileter et usiner des pièces non équilibrées qu'avec des petites vitesses de rotation.

Les barres dépassant le chariot doivent être munies sur toute leur longueur d'un dispositif de protection solide. - Danger de blessures graves!

Soutenir les pièces longues avec la lunette fixe. Une longue pièce étroite peut se courber tout à coup, si elle tourne très rapidement

Ne jamais déplacer le fourreau ou la contre pointe pendant que la machine tourne.

Ne retirer les copeaux que sur la machine arrêtée et à l'aide d'un crochet spécial.

Ne pas freiner le mandrin ou l'outil avec la main.

N'opérer des mesures ou des réglages que sur la machine à l'arrêt.

Faire tous les travaux de réglage et les changements d'outil sur la machine arrêtée et dont la prise est débranchée.

3.3 Autres risques

Même en respectant les directives et les consignes de sécurité les risques suivants existent :

Danger de blessures par outils ou mandrin en rotation.

Danger par pièces éjectées, copeaux et outils brûlants

Risque de nuisances par copeaux et bruit.

Pour travailler à la machine, porter absolument des équipements de sécurité personnels tels que lunettes, protèges-oreilles et pare-poussières.

Danger par câble électrique endommagé, usé ou mal branché.

4. Spécifications

4.1 Données techniques

GH-2040 / 2060 / 2080 ZH:

Ø tournage s/ banc	500mm
Ø tournage s/ pont	720mm
Longueur du pont	210mm
Au dessus du chariot	310mm
Distance entre pointes	1015/ 1530/ 2030mm
Largeur du bâti	405mm

Cône de broche	CM-7
Broche DIN 55029(Camlock)	D1-8
Passage d'arbre	Ø80 mm
Vitesses ...24	9-1600 T/min

Course du canon	150mm
Cône du canon	CM5
Déplacement diagonal max. contrepoupée	+/-15mm

Ø lunette fixe	50 – 210mm
Ø lunette mobile	20 – 110mm

Course chariot transversal	310mm
Course chariot sup.	145mm
Section max. outils	25 x 25 mm
Avance longitudinale 65	0,063–2,52mm/T
Avance transversale 65	0,027–1,07mm/T
Filets métriques...46	1–224mm/T
Filets en pouces ...46	28 – 1/8 TPI
Module métriques 42	0,5 – 112MP
Module en pouces 45	56 – 1/4 DP
Pas de la vis-mère	12mm

Réservoir liquide de refroidissement	15 L
--------------------------------------	------

Dimensions Lx l x h	2500 / 3000 / 3500 x 1280 x 1410mm
---------------------	------------------------------------

Poids	2750 / 3000 / 3250 kg
-------	-----------------------

Puissance	7,5 kW (10 CV) S1
Courant électrique nominal	18A
Raccordement	(H07RN-F) 4x4mm ²
Fusible du secteur électr.	25A

GH-2640 / 2680 / 26120 ZH:

Ø tournage s/ banc	660mm
Ø tournage s/ pont	870mm
Longueur du pont	240mm
Au dessus du chariot	420mm
Ø max. d'usinage pour élément de disque	520mm
Distance entre pointes	1015/ 1530/ 2030 / 3050mm
Largeur du bâti	405mm
Cône de broche	Ø113mm 1:20
Broche DIN 55029(Camlock)	D1-8
Passage d'arbre	Ø105 mm
Vitesses ...12	36-1600 T/min
Course du canon	150mm
Cône du canon	CM5
Déplacement diagonal max. contrepoupée	+/-15mm
Ø lunette fixe	100 – 240mm
Ø lunette mobile	20 – 100mm
Course chariot transversal	310mm
Course chariot sup.	145mm
Section max. outils	25 x 25 mm
Avance longitudinale 65	0,063–2,52mm/T
Avance transversale 65	0,027–1,07mm/T
Filets métriques...22	1–14mm/T
Filets en pouces ...25	28 – 2 TPI
Module métrique 18	0,5 – 7MP
Module en pouces 24	56 – 4 DP
Pas de la vis-mère	12mm
Réservoir liquide de refroidissement	15 L
Dimensions Lx l x h	2500 / 3000 / 3500 / 4500 x 1100 x 1450mm
Poids	2750 / 3145 / 3870 / 4500 kg
Puissance	7,5 kW (10 CV) S1
Courant électrique nominal	18A
Raccordement	(H07RN-F) 4x4mm²
Fusible du secteur élect.	25A

4.2 Emission de bruit

Niveau de pression sonore (selon EN ISO 11202):

Marche à vide (vitesse max) LpA 82,4 dB (A)

Les indications données sont des niveaux de bruit et ne sont pas forcément les niveaux pour un travail sûr.

Cette information est tout de même importante, ainsi l'utilisateur peut estimer les dangers et les risques possibles.

4.3 Contenu de la livraison**GH-2040 / 2060 / 2080 ZH:**

6 patins de nivelage
 Cache anti-projection
 Protège porte-outils
 Protège mandrin avec interrupteur électrique
 Mandrin de Ø250mm à 3 mors simples et réversibles
 Plateau circulaire 320mm
 Plaque de fixation Ø 400mm
 Porte-outil encliquetable 4 positions
 Lunette fixe
 Lunette mobile
 Frein à pied avec interrupteur électrique
 Dispositif de refroidissement
 Lampe de travail halogène
 Contre pointe tournante CM5
 Pointe fixe CM-5
 Réducteur CM-7 / CM-5
 Compteur de filetage
 Tige de butée avec 5 cames réglables (coupure de l'avance longitudinale)
 Outils de travail dans un coffret
 Burette à huile
 Mode d'emploi
 Liste des pièces de rechange

GH-2640 / 2660 / 2680 / 26120 ZH:

6 patins de nivelage
 Cache anti-projection
 Protège porte-outils
 Protège mandrin avec interrupteur électrique
 Mandrin de Ø325mm à 3 mors simples et réversibles
 Plateau circulaire 400mm
 Plaque de fixation 630mm
 Disque d'entraînement 250mm
 Porte-outil encliquetable 4 positions
 Lunette fixe
 Lunette mobile
 Frein à pied avec interrupteur électrique
 Dispositif de refroidissement
 Lampe de travail halogène
 Contre pointe tournante CM5
 Pointe fixe CM-5
 Réducteur Ø113mm / CM-5
 Compteur de filetage
 Tige de butée avec 5 cames réglables (coupure de l'avance longitudinale)
 Outils de travail dans un coffret
 Burette à huile
 Mode d'emploi
 Liste des pièces de rechange

4.4 Description de la machine

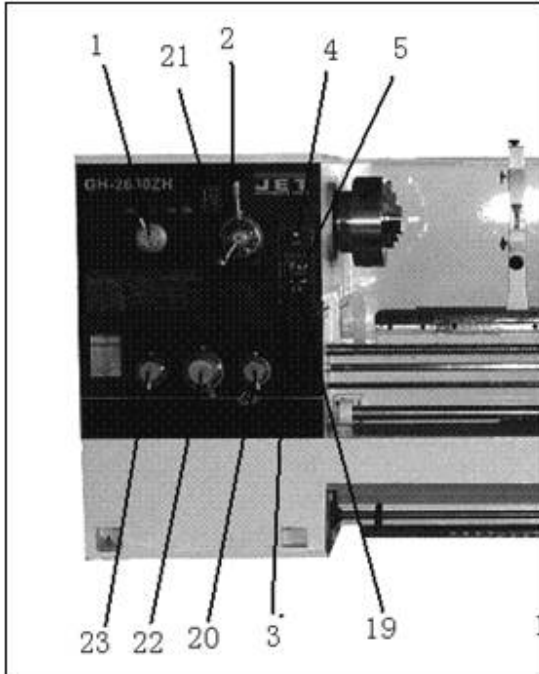


Fig 1

- 1...Sélecteur de degré de filetage
- 2...Sélecteur de la vitesse de rotation
- 3...Bouton d'arrêt d'urgence
- 4...Pompe de liquide de refroidissement marche/arrêt
- 5...Bouton de mise en circuit du moteur principal
- 6...Bouton d'éclairage de la machine
- 7...Lever pour support d'outils de tournage
- 8...Robinet du dispositif de refroidissement
- 9...Chariot supérieur
- 10...Lever de serrage de la douille de broche
- 11...Lever de serrage de la contreoupée

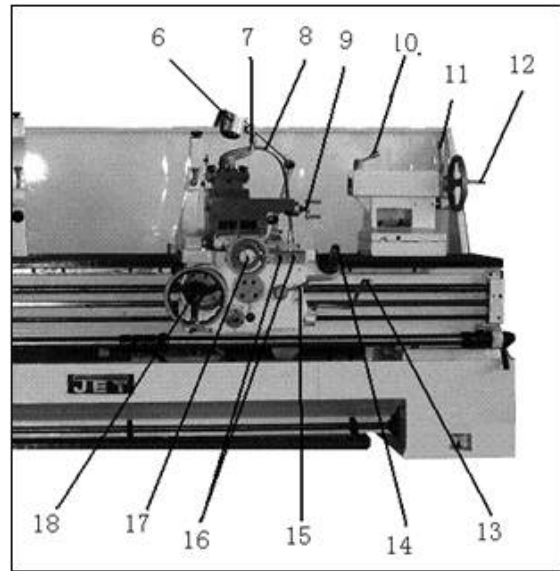


Fig 2

- 12...Volant de la broche de contreoupée
- 13...Sélecteur de la course de broche avant/arrêt/arrière
- 14...Manche de commande de l'entraînement avec touche d'avance rapide
- 15...Erou embayable de vis-mère
- 16...Bouton de marche/arrêt du moteur principal
- 17...Volant du chariot transversal
- 18...Volant du chariot longitudinal
- 19...Bouton de contrôle du réseau
- 20...Sélecteur de la vitesse d'entraînement
- 21...Sélecteur de la vitesse de rotation
- 22...Sélecteur de la vitesse d'entraînement
- 23... Sélecteur du mode de filetage

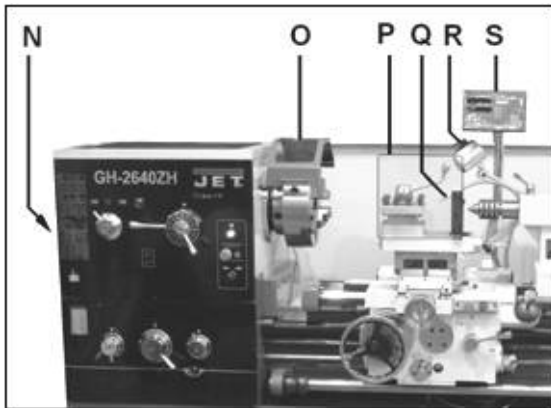


Fig 3

- N....Cache courroie
- O.....Protège mandrin
- P....Protège porte outils
- Q.....Dispositif de refroidissement
- R....Lampe de travail halogène
- S.....Affichage de la position – 3 axes (en option)

5. Transport et mise en exploitation

5.1. Transport et installation

La machine est livrée sur une palette, sous emballage fermé

Pour le transport, utiliser un élévateur courant ou un chariot à fourche. Assurer la machine pour qu'elle ne tombe pas pendant le transport.

Effectuer le montage de la machine dans un local fermé, les conditions générales d'atelier suffisent.

Plan de fondation voir annexe.

5.2 Montage

Si vous constatez des dégâts de transport lors du déballage, avertir immédiatement votre fournisseur et ne pas monter la machine.

Éliminer l'emballage dans le respect de l'environnement.

Enlever la protection antirouille avec du pétrole, du gas-oil ou un dissolvant doux.

Dévisser la machine de la palette.

Positionner la chariot du bâti et la contre-pointe sur la droite.

Glisser 2 tringles en acier suffisamment solides dans les 2 ouvertures du bâti.

Soulever avec des sangles de manutention suffisamment solides (Fig 4).

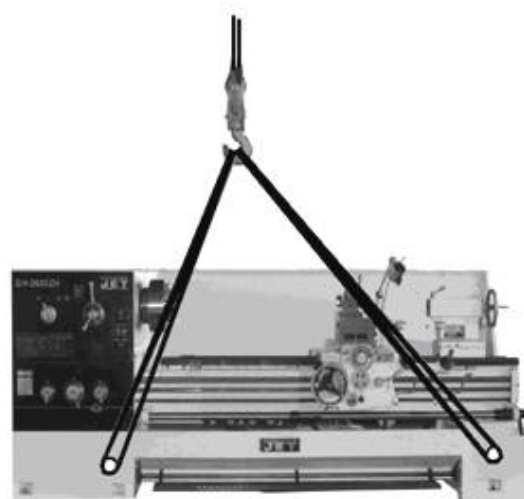


Fig 4

Attention: La machine est lourde!

GH 2040 ZH	2750 kg
GH 2060 ZH	3000 kg
GH 2080 ZH	3250 kg
GH 2640 ZH	2750 kg
GH 2660 ZH	3145 kg
GH 2680 ZH	3870 kg
GH 26120 ZH	4250 kg

Veiller à la capacité suffisante et au parfait état de l'engin de levage. Ne jamais se placer sous la machine en suspens.

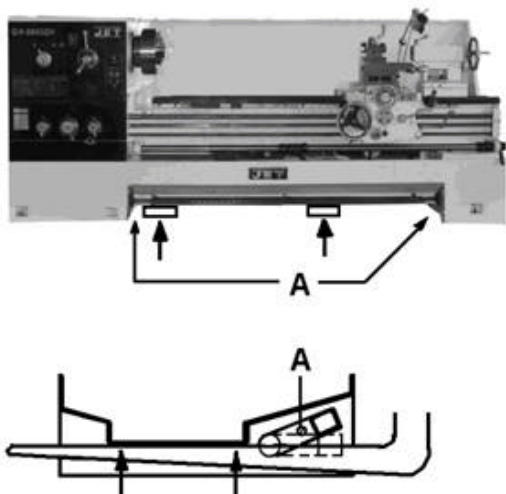


Fig 5

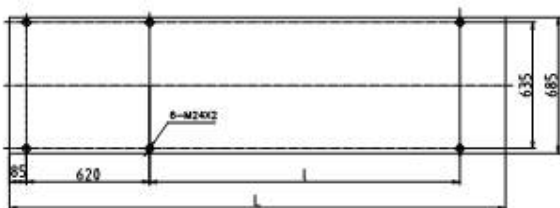
Zum Anheben der Maschine mit dem Gabelstapler, entfernen Sie die beiden Fusspedal-Hubbegrenzungsschrauben (A, Fig 5). Dadurch schwingt das Fusspedal frei nach oben und gibt Platz für die Staplergabeln.

Achtung:

Die Maschine ist linksgewichtig. Der Schwerpunkt liegt nahe am Spindelstock.

Installation:

Placer la machine sur un sol stable et plat.



GH-2040-2640 / 2060-2660 / 2080_2680 / 26120 ZH

Größe	1000	1500	2000	3000
I	1560	2060	2560	3560
L	2495	2995	3495	4495

Nivellement :

Utiliser un niveau afin de positionner le bâti horizontalement. Serrer ou relâcher les vis de montage, au besoin utiliser des rondelles.

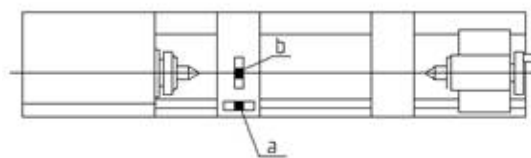


Fig 5

L'exactitude du travail n'est atteinte que sur une machine posée à plat.

- a) Marge sur la longueur du bâti max. 0,02/1000mm
- b) Marge sur la longueur du bâti max.0,04/1000mm

5.3 Raccordement au réseau électr.

Le raccordement ainsi que les rallonges utilisées doivent correspondre aux instructions.

Le voltage et la fréquence doivent être conformes aux données inscrites sur la machine.

Le fusible de secteur électrique doit avoir 32A.

N'utiliser pour le raccordement que des câbles H07RN-F.

Tous les travaux de branchement et de réparation sur l'installation électrique doivent être exécutés uniquement par un électricien qualifié.

Le raccordement électrique se fait sur la borne plate du boîtier de commande.

5.4 Premier graissage

Avant la mise en service de la machine, il faut graisser tous les points d'huilage et veiller à ce que tous les réservoirs à lubrifiants soient à niveau.

Le non-respect de cette mesure entraîne des dégâts importants.

(Voir « Graissage », chapitre 8)

Après un mois de travail sur la machine, il faut changer l'huile du corps de poupée fixe, de l'engrainage d'entraînement et du tablier du chariot.

Remplir le réservoir de liquide de refroidissement avec une émulsion de refroidissement (Voir chapitre 8.7).

5.5 Mise en exploitation

Avant de mettre la machine en route, contrôler l'accessoire de serrage et le bon blocage de la pièce d'œuvre (Voir chapitre 6.2).

Avant de mettre la machine en route, vérifier que le sélecteur de la course de broche avant/arrêt/arrière (13, Fig 2) est bien en position zéro.

Tous les réglages des boutons de sélection ne doivent être effectués que sur la machine à l'arrêt.

Positionner l'interrupteur principal, dans le boîtier de commande se trouvant à l'arrière de la machine, sur Marche.

Il est possible maintenant de démarrer le moteur principal avec le bouton marche/arrêt (16, Fig 2)

Veiller au sens de rotation correct du moteur.

La rotation de la broche ne peut être mise en route qu'avec le sélecteur de la course de broche avant/arrêt/arrière (13, Fig 2).

Pousser le sélecteur

- à droite et en bas pour l'avance
- à droite et en haut pour le recul

Déplacer le sélecteur en position zéro pour stopper la rotation de la broche.

En cas d'urgence, la machine peut être stoppée avec le frein à pied. Quand le frein est actionné, le moteur est déconnecté et la mécanique est freinée.

Attention :

La machine reste sous tension.

Le bouton d'arrêt d'urgence (3, Fig 1) arrête toutes les fonctions de la machine

Déverrouiller le bouton d'arrêt d'urgence en le tournant dans le sens des aiguilles d'une montre.

Note:

Le cache courroie (N, Fig 2-2) et le protège mandrin (O) sont surveillés par interrupteurs électriques. Pour démarrer la machine il faut les fermer.

5.6 Phase de rodage

Laisser à l'engrenage le temps de se roder.

Pendant les 6 premières heures ne pas travailler à plus de 560 T/min

Coupleur du corps de poupée fixe:

Le coupleur du corps de poupée fixe est sujet à l'usure et doit être parfaitement réglé.

- Si le coupleur a du jeu, il y a trop peu de force transmise, en outre il peut glisser facilement et par conséquent provoquer une surchauffe.

- Si le coupleur est trop serré, le maniement du levier avant/arrêt/arrière de la broche est plus difficile et le coupleur ne s'encliquette pas.

La fonction de protection de surcharge est mise hors service.

En ce qui concerne le réglage du coupleur, voir chapitre 8.

Attention:

Ne pas utiliser la machine si on observe une perte de puissance due à un glissement du coupleur.

6. Fonctionnement de la machine

Attention.

Avant d'effectuer les travaux d'équipement et de réglages, la machine doit toujours être assurée contre la mise en route.

Déconnecter la machine du réseau et appuyer sur le bouton d'arrêt d'urgence.

Tous les boutons de sélection ne doivent être actionnés que sur la machine à l'arrêt.

Avant de mettre la machine en route, vérifier que le sélecteur de la course de broche (13, Fig 2) est bien en position zéro.

Ne jamais actionner une poignée ou un levier quand la broche est en marche. La vitesse de rotation de la broche ne doit être changée que lorsque le moteur principal est arrêté. La vitesse d'entraînement ne doit être changée que lorsque la vitesse de rotation de la broche est très basse ou que la broche est arrêtée.

Avant de mettre la broche en route, vérifier que tous les leviers et poignées se trouvent en bonne position, ceci afin de permettre la mise en route normale de l'entraînement principal.

En actionnant le sélecteur de la course de broche (13, Fig 2), vérifier que vous le manoeuvrez dans la bonne position. Ne jamais utiliser la "fonction de présélection" pour travailler avec une vitesse de rotation plus lente.

La vis-mère ne doit être utilisée que pour couper des filets, ceci afin d'obtenir une grande exactitude de travail et d'en assurer la longévité

Lors de la coupe de filets, la vis-mère est entraînée directement contre le tablier du chariot et l'accouplement de sécurité du tablier du chariot perd sa fonction protectrice. Afin d'éviter des dommages à la machine, il faut choisir une profondeur de serrage adéquate.

Lors du serrage ou du desserrage de la pièce d'oeuvre ou si l'utilisateur quitte la zone de travail, il faut arrêter le moteur principal.

6.1 Serrage des pièces d'œuvre

Démontage de l'accessoire de serrage:

Avant le démontage de l'accessoire de serrage, protéger le bâti avec une planche.

Tenir l'accessoire de serrage en tournant les 3 pinces excentrées Camlock d' $\frac{1}{4}$ de tour dans le sens inverse des aiguilles d'une montre.

Faire coïncider les marques (A, Fig 6).

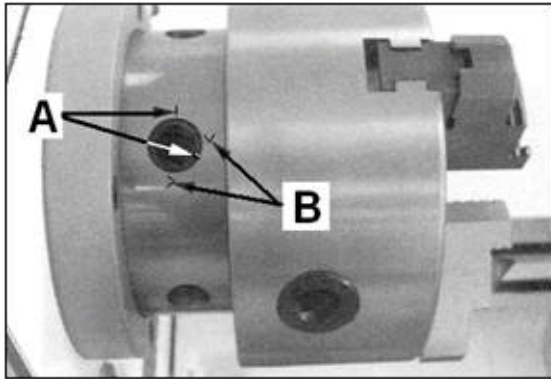


Fig 6

Retirer le dispositif de serrage avec précaution.

Nettoyer les surfaces de contact.

Presser l'accessoire de serrage avec la main contre le nez de broche.

Tendre les pinces excentrées Camlock dans le sens des aiguilles d'une montre.

La marque de la pince excentrée (A) doit se trouver entre les 2 flèches (B). Si ce n'est pas le cas, visser ou dévisser d'un tour les boulons de l'accessoire de serrage Camlock

Bloquer les 3 pinces excentrées Camlock.

Attention:

Ne pas dépasser les limites de la vitesse de rotation de l'accessoire de serrage.

La denture des mors de serrage et celle de la spirale doivent toujours être complètement engrenées. Les mors de serrage dépassant le diamètre du mandrin peuvent se casser et être éjectés à travers l'atelier. (Fig 7).

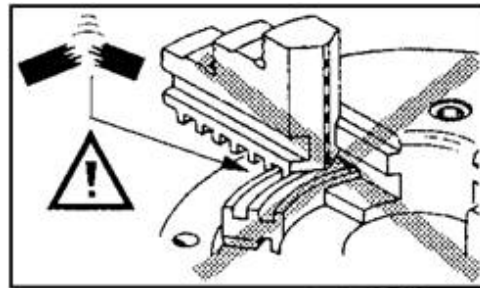


Fig 7

Eviter le serrage libre de pièces trop longues, elles peuvent se courber (Fig 8) ou être arrachées du mandrin (Fig 9), les appuyer avec la contre-pointe ou la lunette.

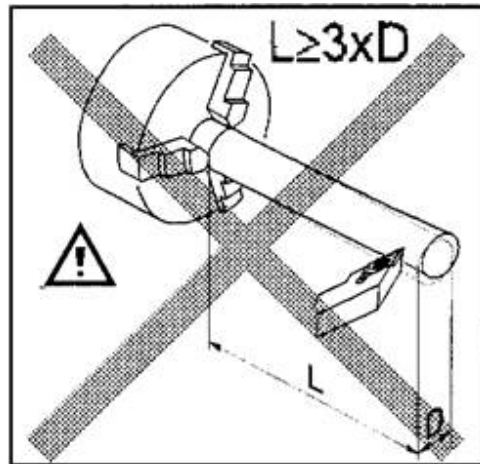


Fig 8

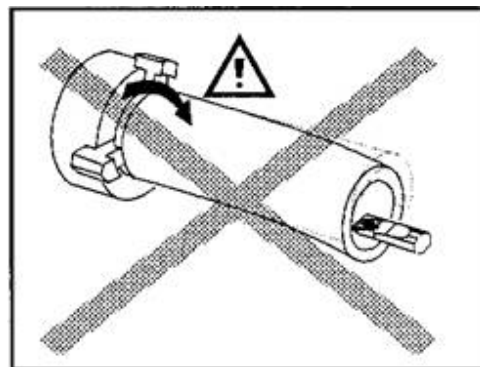


Fig 9

Eviter un serrage court (A, Fig 10) ou le serrage sur un petit diamètre (B).

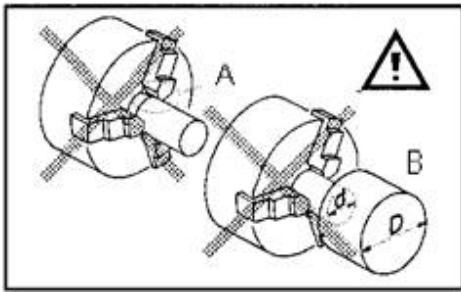


Fig 10

Veiller à un serrage de la pièce avec appui axial.

6.2 Fixation du burin de tournage

L'angle de coupe n'a sa grandeur désirée que lorsque le tranchant du burin est réglé au centre de l'axe de la pièce.

La hauteur exacte du burin est obtenue en plaçant le burin à la hauteur de la contre-pointe au moyen de cales d'épaisseur.

Fixer le burin sur la tourelle porte-outil avec au moins deux vis.

Le fixer court, éviter un grand porte à faux du burin.

6.3 Choix de la vitesse de broche

La vitesse de broche adéquate dépend du genre d'usinage à effectuer, du diamètre de tournage, de la pièce et du type de burin.

Les recommandations des nombres de tours sont valables pour un \varnothing de tournage de 50mm usiné avec un burin en métal dur (HM).

Aluminium, laiton	1500 T/min
Fonte grise:	1000 T/min
Acier (C15):	800 T/min
Acier (C45):	600 T/min
Acier inox:	300 T/min

Lors de l'utilisation d'outils en acier rapide (HSS) la vitesse à choisir est d'env. 1/5 de ces nombres de tours.

D'une façon générale, on peut dire: En proportion, plus le \varnothing est gros, plus la vitesse de rotation possible est lente.

Par exemple:

Acier (C15) avec 25mm de \varnothing permet une vitesse de:

1600 T/min	avec outil HM
320 T/min	avec outil HSS

Réglage de la vitesse de rotation:

Ce changement ne doit s'opérer que sur la broche et le moteur à l'arrêt

Positionner le levier de choix de vitesse (2, Fig 1) dans la position souhaitée.

Au besoin tourner l'accessoire de serrage à la main pour faire rentrer les dents dans l'engrènement.

6.4 Avance longitudinale automatique

Le choix de l'avance longitudinale ou transversale est possible en permanence grâce au levier de sélection d'entraînement (20, 22, 23, Fig 1).

Ne jamais manipuler le sélecteur sur la machine en mouvement.

Manipuler le sélecteur d'entraînement (14, Fig 2)

- à gauche / droite pour l'avance longitudinale
- en haut / bas pour l'avance transversale

L'avance adéquate dépend de la matière à usiner, de la manière d'usinage, de l'outil de coupe, de la stabilité du serrage de la pièce, de la profondeur de passe, et du choix de la finition souhaitée.

Par exemple:

Usinage extérieur d'une pièce d'œuvre bien serrée en acier (C15) de 25 mm avec un outil HM par 1200 T/min.

Travail d'ébauche:

Profondeur de passe	2mm
Avance par tour	0,25mm

Ajustement exact:

Profondeur de passe	0,5mm
Avance par tour	0.1mm

Finition:

Profondeur de passe	0,2mm
Avance par tour	0.06mm

Pour l'ébauche de gros diamètres, réduire la profondeur de passe!

6.5 Guidage de l'avance – avance rapide

Manipuler le sélecteur d'entraînement (14, Fig 2)

- à gauche / droite pour l'avance longitudinale
- en haut / bas pour l'avance transversale

Pour accélérer l'entraînement, appuyer sur la touche verte d'avance rapide se trouvant sur le manche de commande.

Lors de l'entraînement longitudinal rapide, le volant du tablier du chariot est mis hors service.

Avis de sécurité :

Si on utilise l'entraînement transversal rapide, il faut débrayer le volant du chariot transversal (le dégager) et rabattre la poignée.

6.6 Filetage

Les filets sont usinés en plusieurs passes avec un burin à fileter. La profondeur de passe radiale devrait être de 0,2mm env. chacune et d'un peu moins pour les dernières passes de finition.

Positionner le sélecteur de degré de filetage (1, 20, 22, 23, Fig 1) dans la bonne position.

Remarque:

Les filetages à degrés très élevés ne doivent être coupés qu'avec des vitesses de rotation faibles.

A) Filetage de filets métriques et en pouce:

Pour la première passe, régler le filet et la profondeur de passe désirés.

Fermer l'écrou vis-mère (15, Fig 2).

L'écrou vis-mère reste fermé pendant toute l'opération de filetage.

- Enclencher la machine avec la vitesse la plus lente.
- A la fin du filet, arrêter le moteur tout en désengrenant le burin à temps au moyen de la coulisse transversale. (Attention à l'inertie: arrêter le moteur assez tôt)
- Enclencher le moteur en marche inverse jusqu'à ce que le burin se retrouve à sa position de départ.

Répéter ces opérations jusqu'à ce que le filetage soit terminé.

B) Filetage de filets métriques avec le compteur de filetage:

La plupart des filets métriques peuvent être filetés avec le compteur de filetage. Pour cela l'écrou de la vis-mère peut être ouvert après chaque étape de travail et le chariot longitudinal peut être remis en position initiale avec le volant.

L'écrou de vis-mère ne peut être raccordé qu'à la graduation correspondante du compteur de filetage.



L'écrou de vis-mère peut être raccordé toujours pour pas des filets 1 / 1,5 / 2 / 3 / 4 / 6 / 12 mm. (Pas de la vis-mère = 12mm = divisible par pas de filets).

6.7 Perçage

Pour la fixation de foret hélicoïdal et d'alésoir de centrage, il est nécessaire d'utiliser un mandrin auto-centrant CM-5.

Recommandations concernant les vitesses de rotation: voir chapitre 6.4.

Pour éjecter le mandrin de perçage, reculer complètement la broche de contre-pointe.

7. Travaux d'équipement et de réglages

Informations générales:

Avant les travaux de mise en route et de réglage, la machine doit être assurée contre la mise en marche.

Arrêter l'interrupteur principal et appuyer sur le bouton d'arrêt d'urgence!

7.1 Tournage entre les pointes

Fixer la pièce d'œuvre dans le toc, puis entre les pointes.

L'entraînement se fait par le disque d'entraînement (Fig 11).

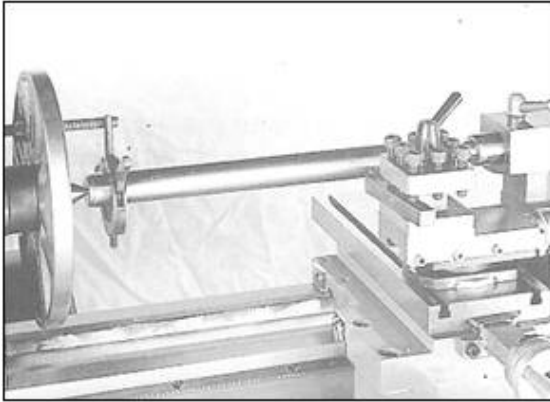


Fig 11

7.2 Tournage conique avec la contre-pointe

Il est possible de tourner des cônes longs, jusqu'à un angle latéral de 5°, en déplaçant la contre-pointe latéralement.

Pour déplacer la contre-pointe, desserrer la vis de blocage (max. +/-15mm possible)

Dévisser la vis de réglage située à l'avant et régler avec la vis située à l'arrière.

Serrer de nouveau la vis de réglage et celle de blocage de la contre-pointe.

La pièce doit être serrée entre les pointes.

L'entraînement se fait au moyen du plateau et du toc.

Lorsque le travail de tournage conique est terminé, remettre la contre-pointe dans sa position initiale.

Faire un tournage d'essai et ajuster la contre-pointe jusqu'à ce que le tournage soit parfaitement cylindrique.

7.3 Tournage conique avec le chariot supérieur

En réglant le chariot supérieur, il est possible de tourner des cônes courts.

Après le desserrage des deux écrous à six pans, on peut régler le chariot supérieur selon la graduation.

7.4 Mandrin universel à trois mors

Avec le mandrin universel à trois mors, il est possible de serrer des pièces cylindriques, triangulaires et hexagonales (Fig 12).

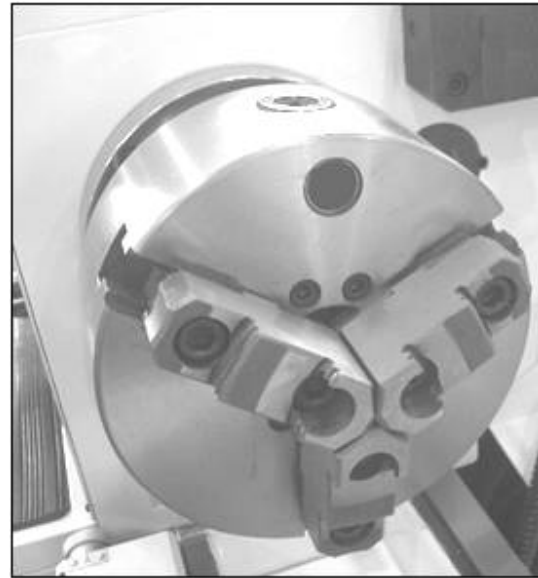


Fig 12

Pour le serrage de gros diamètres, il faut retourner les mors rapportés.

Pour le graissage des mors, nous conseillons l'usage de pâte Molykote-G, ou d'une graisse de qualité égale.

7.5 Plateau circulaire

Ce mandrin de serrage a quatre mors réglables séparément.

Ceci permet de serrer des pièces carrées ou asymétriques, ou de centrer parfaitement des pièces cylindriques.

7.6 Contre-pointe rotative

La contre-pointe rotative est équipée de paliers de précision à roulements à aiguilles. Elle est absolument recommandée pour les vitesses supérieures à 200 T/min

Pour éjecter le mandrin de perçage, reculer complètement le fourreau de broche.

7.7 Lunettes fixe et mobile

Lunette fixe

La lunette fixe sert principalement à soutenir les pièces longues et garantit un usinage sûr, exempt de vibrations.

La lunette fixe est montée sur le banc du tour et bloquée par une bride.

Tourner les vis moletées jusqu'à ce que tous les mors lisses touchent la pièce, sans la bloquer.

Pendant le tournage, bien graisser les mors lisses.

Lunette mobile

La lunette mobile est fixée sur le chariot longitudinal et suit le mouvement du burin. Elle évite que les pièces longues et minces fléchissent sous la poussée de l'outil de coupe.

Ajuster les mors lisses sans qu'ils aient du jeu et sans qu'ils bloquent.

Pendant le tournage, bien graisser les mors lisses.

7.8 Retrait du pont de table

Tirer les vis coniques (A, Fig.13). en tirant les écrous.

Retirer les vis (B).

Le pont de table peut être retiré.

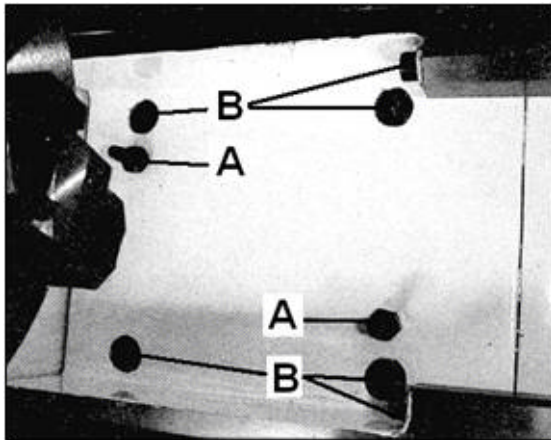


Fig 13

Avant d'adapter le pont de table, il faut nettoyer soigneusement les surfaces de contact.

Retirer les écrous des goupilles coniques

Glisser les goupilles coniques dans les trous et les enfoncer avec un marteau.

Serrer les vis.

7.9 Réglage du degré de filetage et de l'entraînement

Pour atteindre les divers degrés de filetage et les diverses vitesses d'entraînement, il faut utiliser ensemble tous les quatre sélecteurs 1, 23, 22 et 20.

Sélecteur 1 : Il sert au choix du sens du filetage. A cause du couplage à roue libre du tablier du chariot, l'entraînement n'est activé que si le filetage désiré est à droite.



Filetage à droite : entraînement



Filetage à gauche: pas d'entraînement,

Sélecteur 23 : Il sert au choix du type de filetage. En même temps, Il permet de modifier la vitesse d'entraînement.

t ----- pour filetage métrique

n ----- pour filetage en pouce

m ----- pour filetage modulaire

DP ----- pour filetage diamétral

"-• -" ----- Entraînement direct de la vis-mère (pas par l'engrenage d'entraînement)

Sélecteur 22 : Il sert au choix du degré de filetage et de l'entraînement.

Sélecteur 20 : Il double le degré et l'entraînement.

I, II, III, IV: Mise en action de la vis-mère pour couper des filets

A, B, C, D: Mise en action de la broche de chariotage pour l'entraînement.

Rapport entre les deux:

$$I: II: III: IV = A: B: C: D = 1: 2: 4: 8$$

Pour couper un filet qui n'est pas indiqué dans le tableau de coupe, opérer les réglages suivants :

sélecteur 23 en position "-• -"

sélecteur 20 en position "IV",

ceci pour l'entraînement direct de la vis-mère.

Choisir les roues de translation en fonction du degré de filetage souhaité

Mesures de prudence pour l'usage de la machine:

Avant de démarrer la machine, contrôler si toutes les pièces mobiles sont graissées correctement.

Vérifier que le levier de démarrage est bien en position zéro.

Actionner le bouton de contrôle de mise en circuit; la lampe témoin s'allume. Maintenant la machine peut être mise en route.

Bien étudier le système d'entraînement, ainsi que les fonctions et les réglages de la machine

Avant de mettre la machine en marche, contrôler tous les leviers, boutons et sélecteurs.

Contrôler que les leviers sont en position correcte.
Vérifier que tous les leviers sont bloqués.

Il ne faut manipuler les leviers et sélecteurs que sur la machine à l'arrêt.

8. Description des principales parties de la machine

Moteur et entraînement par courroie:

Le moteur principal se trouve dans le socle de la machine, à gauche et le dispositif de refroidissement à droite.

La courroie trapézoïdale peut être tendue avec l'écrou de réglage (voir Fig 14).

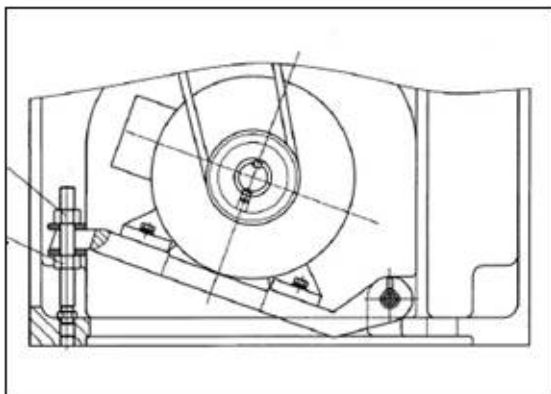


Fig 14

Embrayage du chariot:

Le couple de rotation est transmis à l'arbre moteur par embrayage à disques multiples et plusieurs paliers d'engrenage.

Il y a deux engrenages, un pour la marche avant et un pour la marche arrière de la broche.

Réglage de l'engrenage:

Les engrenages doivent être réglés correctement.

Si l'engrenage est réglé avec trop de jeu, il n'y a pas assez de force transmise, de plus l'engrenage peut glisser facilement et provoquer un risque de surchauffe.

Si l'engrenage est réglé trop serré, la manipulation du sélecteur de la course de broche avant/arrêt/arrière est plus difficile et la fonction de protection de surcharge disparaît

- Protéger la machine contre toute mise en route intempestive (fermer l'interrupteur principal).
- Retirer le carter de la poupée fixe (ce carter est en matière plastique, une personne seule peut le soulever).
- A l'aider d'un tournevis, appuyer sur le boulon d'arrêt (B, Fig 15, Fig 16) du coupleur à régler...le boulon d'arrêt est muni d'un ressort.
- Faire tourner l'anneau de réglage (A) d'un cran.

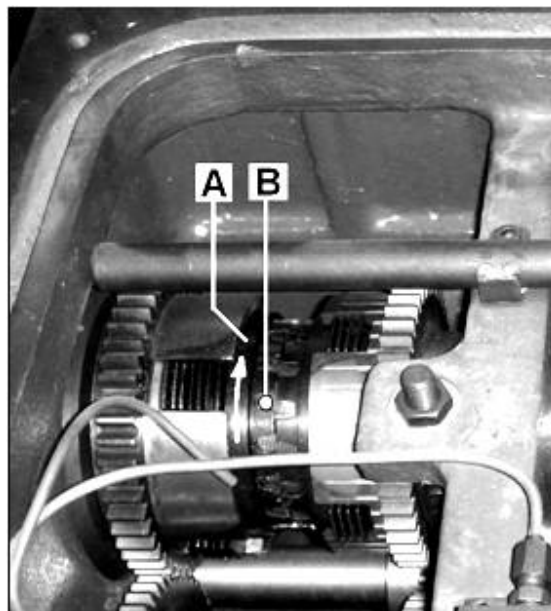


Fig 15

Remarque:

Le coupleur réagit immédiatement au réglage, ne faire tourner l'anneau de réglage (A) que d'un cran.

Si le coupleur est trop serré il ne s'encliquette plus. L'encliquetage du coupleur doit se ressentir et s'entendre...bruit de déclic

Si le mouvement de la broche ne s'arrête pas en position STOP, cela signifie que les mouvements d'avance et de recul de la broche ne sont pas réglés symétriquement.

(La broche réagit au réglage le plus rigoureux).

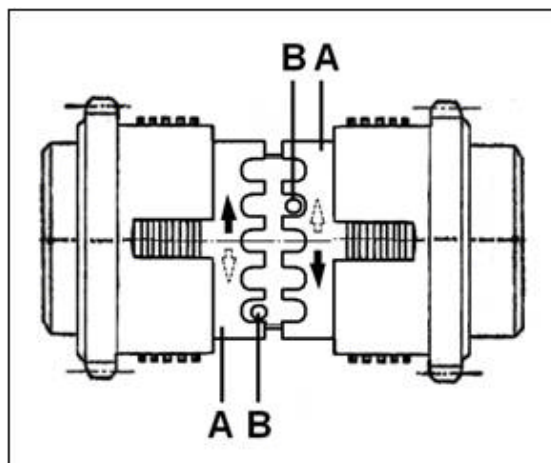


Fig 16

- Remonter le carter de la poupée fixe.
- Vérifier la fonction des coupleurs (au besoin, les réajuster).

Frein:

En cas d'urgence, la machine peut être stoppée avec le frein à pied. Quand le frein est actionné, le moteur est déconnecté et la mécanique est freinée.

Le collier de frein peut être réglé (voir Fig 17).

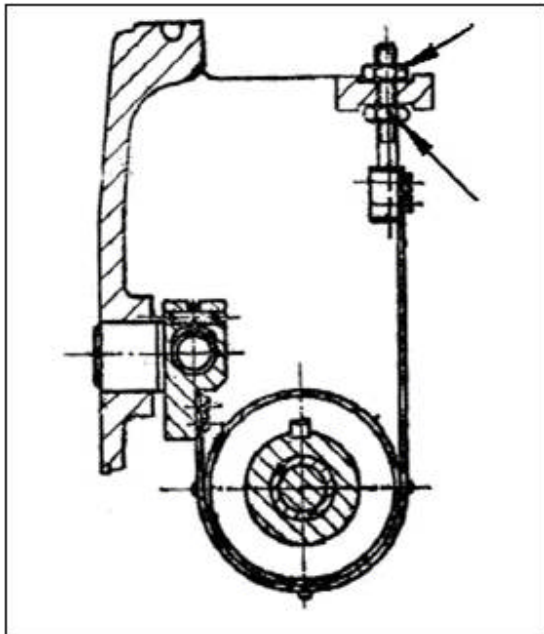


Fig 17

Arbre moteur et ancrages :

Le logement de la broche peut être réglé par les sièges coniques.

Tout d'abord, desserrer l'écrou de réglage (1, Fig 18), retirer la plaque de sécurité (6) ainsi que l'écrou de réglage (2).

Régler le jeu de coussinets avec les écrous (3 et 4). Après cette étape de réglage, resserrer et bloquer tous les écrous.

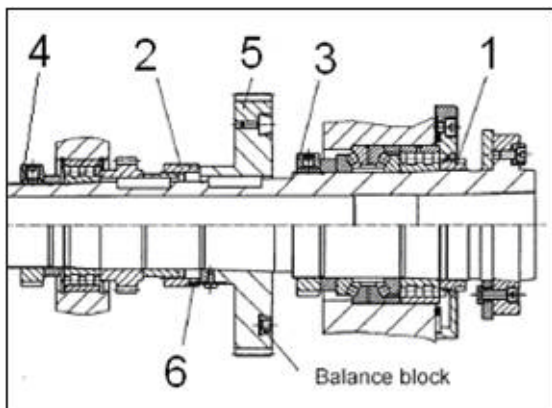


Fig 18

Après cette opération de réglage, vérifier que la rotation de la broche est aisée.

Porter la vitesse de rotation de la machine en marche à vide à son maximum, la température doit rester inférieure à 70°C.

Engrenage d'entraînement:

Il est conçu de façon à ce que la plupart des filets puissent être coupés sans permuter les roues de translation.

Vis- mère:

Le jeu axial de la vis-mère peut être éliminé par un réglage de l'écrou (1, Fig 19).

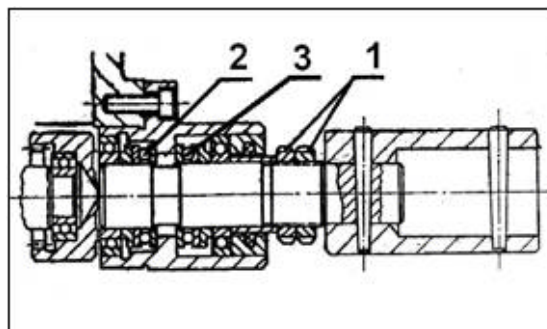


Fig 19

Tablier du chariot:

Le flux de la force est conduit de la vis-mère au tablier du chariot par un accouplement à friction réglable sur une broche sans fin et par l'embrayage sur le mouvement longitudinal et transversal.

Afin de permettre à tous moments un mouvement rapide, la broche sans fin est munie d'un couplage à roue libre.

Lorsque le mouvement rapide est désactivé, la vitesse normale d'entraînement est automatiquement réactivée.

Entraînement par accouplement à friction, réglable:

Pour régler l'entraînement par accouplement à friction, retirer le couvercle du boîtier (1, Fig 20).

Desserrer le contre-écrou et régler le couple de glissement avec la vis (2).

Ne pas positionner le coupleur sur block, sinon la fonction protectrice n'est plus acquise et la machine peut être endommagée.

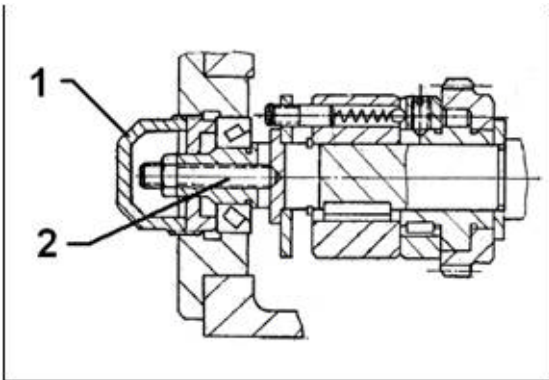


Fig 20

Porte-outil quadruple :

En desserrant le levier de serrage, la manette indicatrice se soulève et le porte-outil quadruple tourne d'un cran.

Si le porte-outil quadruple ne s'enclique pas en position souhaitée lors du changement d'outils, régler la tension du ressort de l'encliquetage à billes (2, Fig 21)

Si le porte-outil tourne trop loin, il faut régler la vis.

Pour démonter le porte-outil, retirer les vis 1 et 2 ainsi que le ressort 3 et la bille 4. Ensuite on peut retirer le levier de serrage et le porte-outil

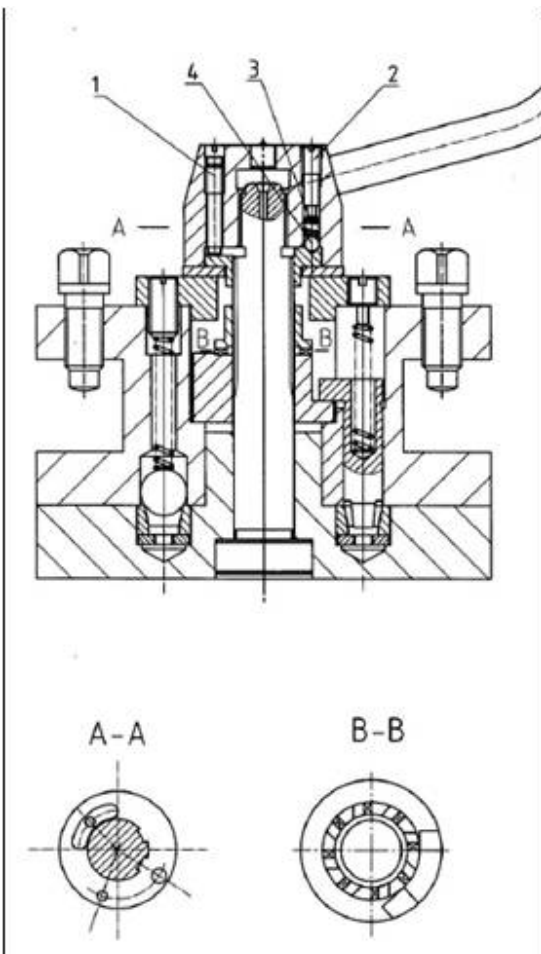


Fig 21

Chariot transversal:

Le jeu axial du chariot transversal peut être mis hors service.

Retirer tout d'abord la plaque de protection du chariot transversal (3, Fig 22).

Desserrer la vis de réglage (1) de l'écrou de la broche transversale

Bloquer la vis à six pans creux (2), jusqu'à ce qu'il n'y ait plus de jeu d'inversion.

Resserrer la vis de réglage.

Remonter la plaque de protection.

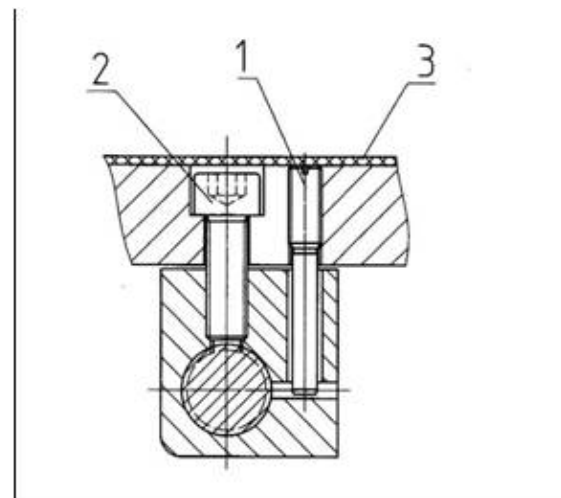


Fig 22

Les guides en queue d'aronde des chariots transversal et supérieur peuvent être réglés par les lardons coniques.

Contrepoupée

Pour tourner des cônes fins entre les pointes, il est possible de positionner la contrepoupée transversalement.

Desserrer les vis de réglage (2, Fig 23)

Régler le positionnement transversal, avec les vis (1, Fig 24).

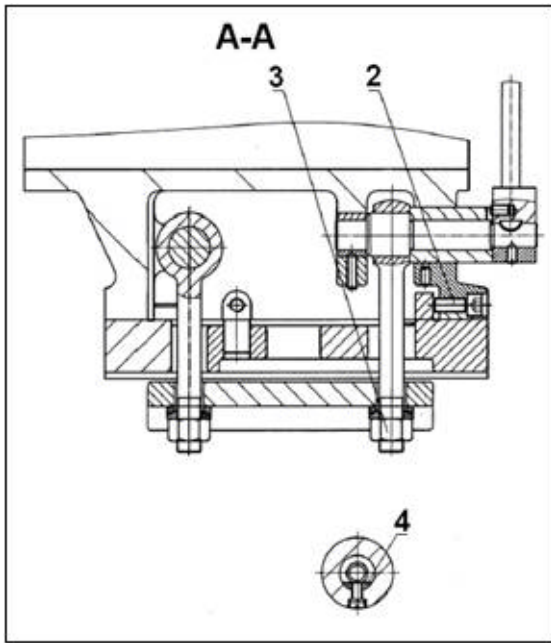


Fig 23

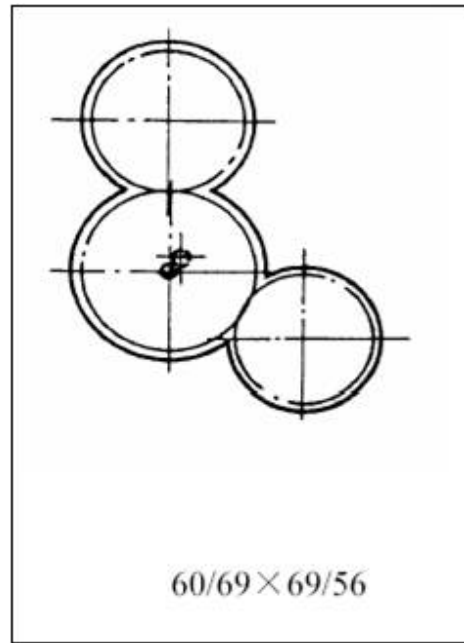


Fig 25

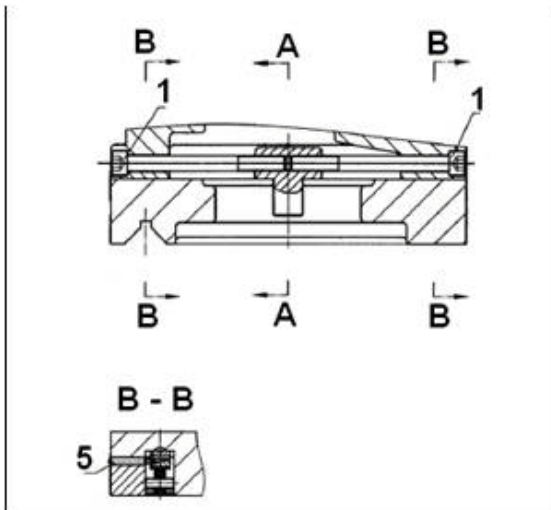


Fig 24

Permutation des roues de translation :

Les réglages standard permettent de couper la plupart des filets (Fig 25, 26)

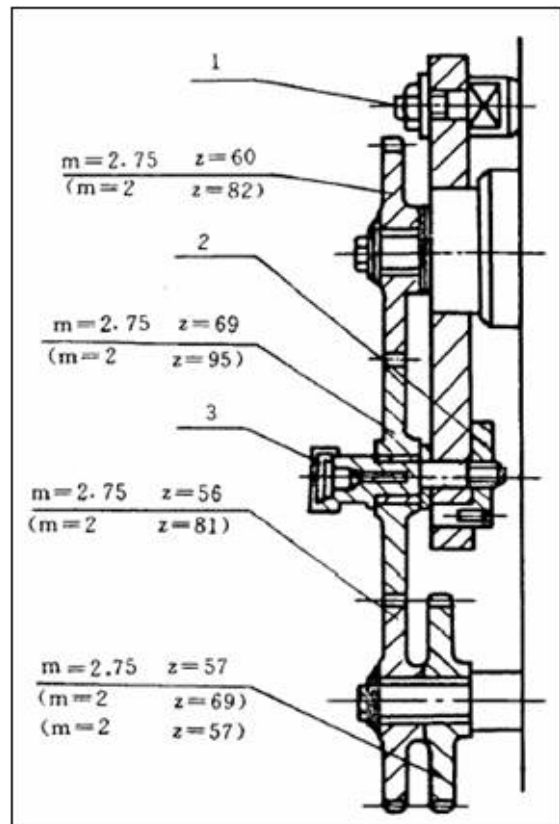


Fig 26

Un permutation des roues de translation n'est nécessaire que pour couper les filets en pouce de 19 TPI et 11½ TPI (Fig 27, 28).

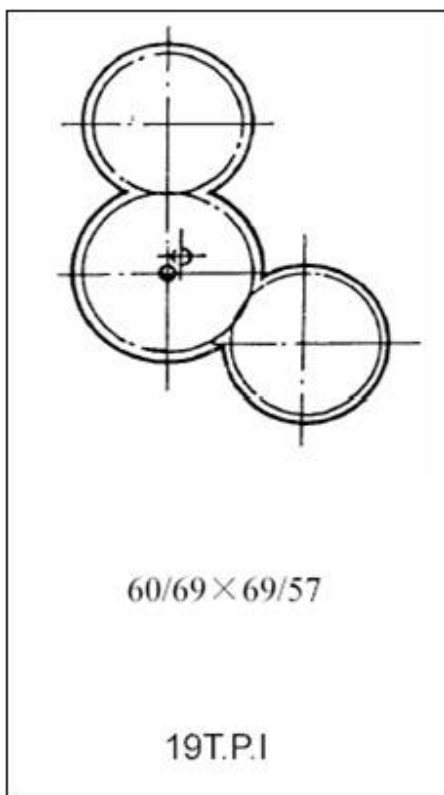


Fig 27

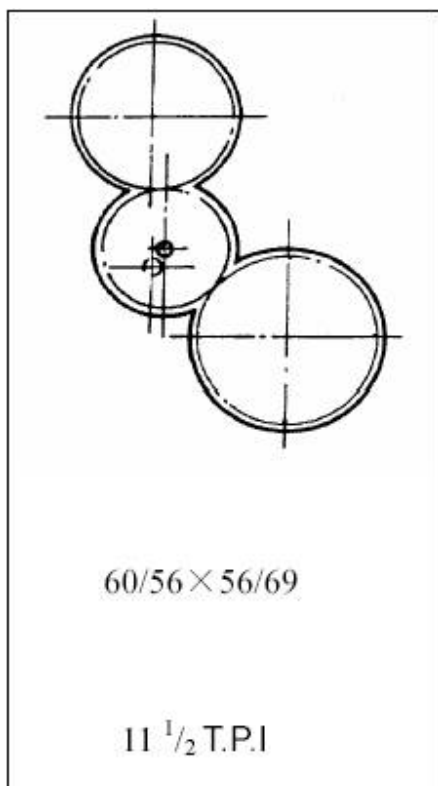


Fig 28

9. Entretien et inspection

Remarque générale:

Avant tous travaux d'entretien, de nettoyage et de réparation, la machine doit être protégée contre la mise en route intempestive.

Arrêter l'interrupteur principal!

Nettoyer la machine régulièrement.

Remplacer immédiatement les dispositifs de protection endommagés ou usés

Tous travaux de branchement et de réparation sur l'installation électrique doivent être exécutés uniquement par un électricien qualifié.

9.1 Graissage de la machine

Observer exactement le diagramme de graissage de la machine (Fig 29) ainsi que les chapitres 9.2 jusqu'à 9.4.

Toutes les parties mobiles de la machine doivent être parfaitement graissées en permanence.

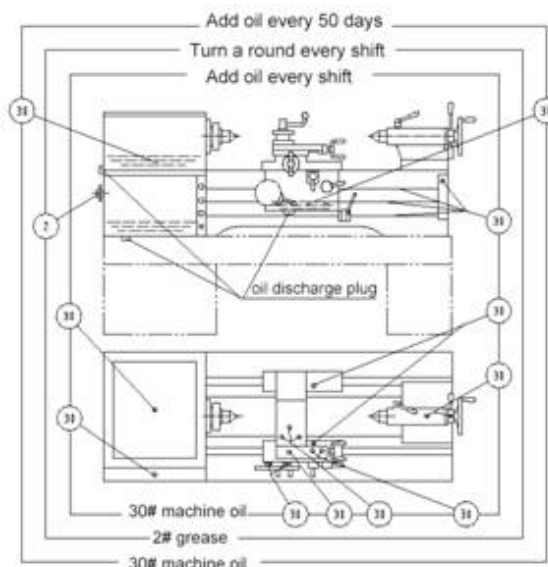


Fig 29

Graissage du corps de poulée fixe:

La broche de la poulie à courroie active une pompe à huile (Fig 30)

L'huile est aspirée du bain d'huile à travers un filtre et lubrifie les crémaillères, les coupleurs et les roulements du corps de poulée fixe (Fig 31)

La fonction de la pompe peut être contrôlée sur le regard se trouvant devant et en haut sur le corps de poulée fixe.

Le niveau d'huile peut être contrôlé sur le regard placé en bas.

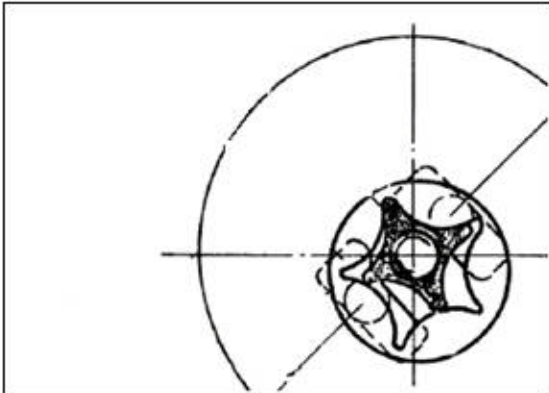


Fig 30

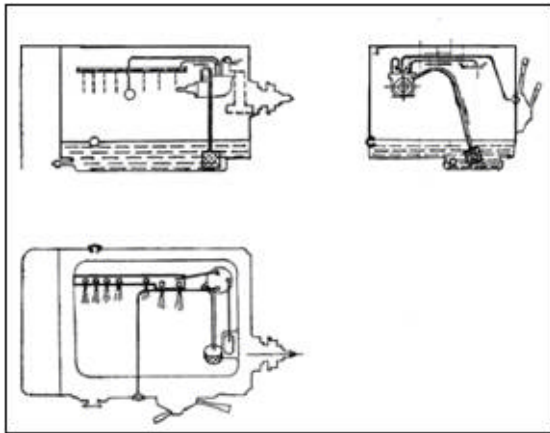


Fig 31

Graissage de l'engrenage d'entraînement:

Le niveau d'huile peut être contrôlé sur le regard se trouvant sur la gauche de l'engrenage d'entraînement.

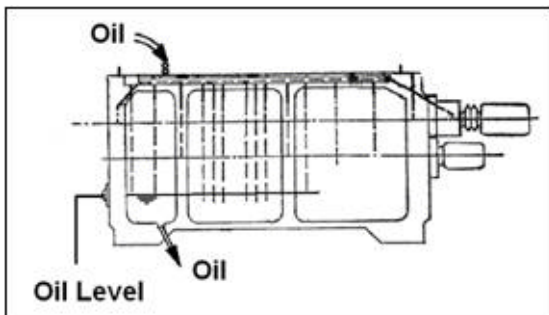


Fig 32

Graissage du tablier du chariot:

Le niveau d'huile peut être contrôlé sur le regard se trouvant devant sur le tablier du chariot.

Retirer la vis de remplissage et rajouter de l'huile avec une burette.

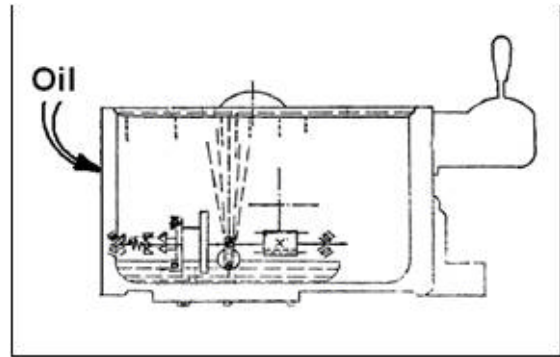


Fig 33

La vis-mère et la broche de chariotage sont graissées automatiquement par une mèche provenant d'un bain d'huile.

Graissage des rails de direction du chariot longitudinal :

Les rails de direction du chariot longitudinal sont graissés par l'actionnement régulier du dispositif central de graissage du chariot, se trouvant sur le tablier du chariot (selon l'utilisation de la machine, graisser plusieurs fois par jour).

Graissage des chariots transversal et supérieur :

Les rails de direction des chariots transversal et supérieur, ainsi que les broches transversale et supérieure doivent être graissés avec un pistolet à huile.

Graissage du porte-outil et de la contrepoupée:

Le porte-outil quadruple, la douille de broche et la broche de contrepoupée doivent être graissés avec le pistolet à huile.

Graissage des roues de translation:

Les coussinets des roues de translation doivent être graissés sur les points de graissage avec une presse de graissage.

Graisser la denture des roues de translation avec une graisse adhésive.

Graissage de la crémaillère:

Graisser la denture avec une graisse adhésive.

9.2 Graissage annuel

- Corps de poupée fixe :

Vidange :.....15 Litres

DIN 51517-2 CL ISO VG32

(Par ex. BP Energol HLP32, Castrol Hyspin AWS 32, Mobil DTE Oil Light)

Le niveau d'huile doit atteindre le niveau indiqué.

Le remplissage se fait par le bouchon vissé sur le corps de poupée fixe, sous le tapis en caoutchouc.

Changer l'huile après le premier mois d'exploitation

Dévisser le bouchon.

Retirer toutes les traces de métaux.

Remplir avec de l'huile neuve.

A partir de ce moment, changer l'huile une fois par an (le cas échéant, toutes les 700 heures de travail).

- Engrenage d'entraînement:

Vidange (.....2 Litres)

DIN 51517-2 CL ISO VG 32

(Par ex.. BP Energol HLP32, Castrol Hyspin AWS 32, Mobil DTE Oil Light)

Le niveau d'huile doit atteindre le niveau indiqué.

Le remplissage se fait sur le carter supérieur.

Changer l'huile après le premier mois d'exploitation en retirant la vis de vidange.

Remplir avec de l'huile neuve.

A partir de ce moment, changer l'huile une fois par an (le cas échéant, toutes les 700 heures de travail).

- Tablier du chariot:

Vidange (.....2 Litres)

DIN 51517-2 CL ISO VG 32

(Par ex.. BP Energol HLP32, Castrol Hyspin AWS 32, Mobil DTE Oil Light)

Le niveau d'huile doit atteindre le niveau indiqué.

Le remplissage se fait par le bouchon vissé.

Changer l'huile après le premier mois d'exploitation en retirant la vis de vidange se trouvant dessous.

Remplir avec de l'huile neuve.

A partir de ce moment, changer l'huile une fois par an (le cas échéant, toutes les 700 heures de travail).

9.3 Graissage hebdomadaire:

Contrôler une fois par semaine tous les niveaux d'huile, et au besoin en remettre.

Graissage hebdomadaire:

DIN 51807-1 Haftfett

(par ex.. BP L2, Mobilgrease Special).

- Crémaillère

Bien graisser la denture.

- Roues de rechange

Graisser légèrement les dents.

9.4 Graissage quotidien:

Huiler une fois par jour :

DIN 51502 CG ISO VG 68

(par ex.. BP Maccurat 68, Castrol Magna BD 68, Mobil Vectra 2)

- Chariot supérieur

Huiler les graisseurs

- Chariot transversal

Huiler le graisseur

- Collets de vis-mère et broche de chariotage

Huiler les graisseurs

- Contre-pointe

Huiler le graisseur

Manipuler plusieurs fois par jour le graissage central des chariots.

9.5 Système de refroidissement :

Retirer le carter du socle de la machine.

Remplir le réservoir avec 15 Litres d'émulsion de refroidissement..

Au sujet de l'emploi, de l'entretien et de l'élimination du produit de refroidissement, respecter les indications du fabricant.

9.6 Changement des goupilles de cisaillement

La vis-mère et la broche de chariotage sont munies de goupilles de cisaillement pour protéger l'entraînement en cas de surcharge.

Si une goupille se casse, il faut la remplacer par une neuve.

Retirer la vieille goupille en l'enfonçant.

Faire coïncider les trous.

Placer une nouvelle goupille d'origine.

9.7 Positionnement du corps de poupée fixe

Le corps de poupée fixe est réglé avec précision au départ usine.

Avant d'intervenir, contrôler que la machine est parfaitement à plat.

Tourner un échantillon, le diamètre de tournage doit être le même sur toute la longueur.

Au cas où le positionnement est nécessaire:

Desserrer légèrement les 4 vis de fixation du bâti, il doit rester une certaine retenue.

Positionner le corps de contrepointe avec précision au moyen de la vis latérale de réglage.

Bloquer les vis de fixation du bâti.

9.8 Ajustage des coulisses des chariots

Toutes les chariots sont munis de lardons réglables.

Dévisser d'un tour la vis de blocage à l'arrière.

Réajuster la vis de blocage avant d' ¼ de tour.

Contrôler le jeu de la coulisse et au besoin répéter l'opération.

Serrer modérément la vis de blocage à l'arrière.

9.9 Conseils généraux d'entretien :

Graissage:

Le niveau d'huile doit se trouver au milieu des regards afin de permettre un graissage parfait. Il ne doit pas être trop haut, sinon l'huile peut déborder. C'est pourquoi, il faut contrôler les niveaux d'huile très régulièrement.

Courroies trapézoïdales:

Contrôler régulièrement la tension des courroies trapézoïdales. Les courroies trop laches glissent et ont une longévité réduite. .

Coupleur du corps de poupée fixe:

Les coupleurs du corps de poupée fixe doivent être parfaitement réglés.

- Si le coupleur a du jeu, il y a trop peu de force transmise, en outre il peut glisser facilement et par conséquent provoquer une surchauffe.

- Si le coupleur est trop serré, le maniement du levier avant/arrêt/arrière de la broche est plus difficile et le coupleur ne s'encliquette pas.

La fonction de protection de surcharge est mise hors service.

En ce qui concerne le réglage du coupleur, voir chapitre 8.

Freins:

Si l'efficacité du freinage est réduite, il faut immédiatement régler le frein.

Ne jamais utiliser le levier sélecteur de la course de broche pour freiner (c'est-à-dire les couplages du corps de poupée fixe).

Nettoyage:

Retirer régulièrement les saletés et le liquide de refroidissement s'accumulant près du porte-outil quadruple, afin de garantir l'exactitude de l'indexage.

10. Détecteur de pannes

Moteur ne se met pas en route

*Protège mandrin ouvert-
Fermer le protège mandrin

*Cache courroie ouvert-
Fermer le cache-courroie

*Pas de courant-
Vérifier le fusible.

*Défaut au moteur, bouton ou câble-
Contacter un électricien qualifié.

Capacité d'usinage insuffisante

*Le coupleur glisse
Régler le coupleur de la poupée fixe.

*Les courroies glissent
Retendre la courroie.

La broche est trop longue à atteindre sa puissance maximale

* Le coupleur glisse
Régler le coupleur de la poupée fixe.

*Les courroies glissent
Retendre les courroies.

Vibrations de la machine

*Pièce d'œuvre non équilibrée -
Équilibrer la pièce et réduire la vitesse.

*Pièce instable-

Améliorer la longueur libre entre les mâchoires ou le diamètre, soutenir l'extrémité de la contre-pointe.

*Outil instable-
Réduire la longueur de l'outil

*Les chariots ont du jeu-
Régler les glissières.

*Les glissières des chariots sont trop sèches-
Huiler les glissières des chariots.

*Outils émoussés-
Aiguiser les outils ou les changer

*Pression de coupe trop forte-
Réduire la profondeur de passe ou l'avancement.

Outils surchauffés

*Vitesse de coupe trop haute-
Réduire la vitesse.

*Outil émoussé-
Aiguiser l'outil.

Machine tourne coniquement

*Contre-pointe déplacée latéralement-
Aligner la contre-pointe.

*Le banc du tour est voilé-
Mettre les points d'appui à niveau.

Pas d'avance automatique

*Goupille de cisaillement cassée-

Changer la goupille de cisaillement.

11. Protection de l'environnement

Protégez l'environnement !

Votre appareil comprend plusieurs matières premières différentes et recyclables. Pour éliminer l'appareil usagé, veuillez l'apporter dans un centre spécialisé de recyclage des appareils électriques.

12. Accessoires

Voir liste de prix JET.