

GB - ENGLISH

Operating Instructions

Dear Customer,

Many thanks for the confidence you have shown in us with the purchase of your new JET-machine. This manual has been prepared for the owner and operators of a JET JBG-150/200 bench grinder to promote safety during installation, operation and maintenance procedures. Please read and understand the information contained in these operating instructions and the accompanying documents. To obtain maximum life and efficiency from your machine, and to use the machine safely, read this manual thoroughly and follow instructions carefully.

...Table of Contents

1. Declaration of conformity

2. Warranty

3. Safety

Authorized use

General safety notes

Remaining hazards

4. Machine specifications

Technical data

Noise emission

Contents of delivery

5. Transport and start up

Transport and installation

Assembly

Mains connection

Starting operation

6. Machine operation

7. Setup and adjustments

Changing the abrasive wheel

Adjusting the spark guard

Adjusting the tool rest

8. Maintenance and inspection

9. Troubleshooting

10. Environmental protection

11. Available accessories

1. Declaration of conformity

On our own responsibility we hereby declare that this product complies with the regulations* listed on page 2. Designed in consideration with the standards**.

2. Warranty

The Seller guarantees that the supplied product is free from material defects and manufacturing faults. This warranty does not cover any defects which are caused, either directly or indirectly, by incorrect use, carelessness, accidental damage, repair, inadequate maintenance or cleaning and normal wear and tear.

Guarantee and/or warranty claims must be made within twelve months from the date of purchase (date of invoice). Any further claims shall be excluded.

This warranty includes all guarantee obligations of the Seller and replaces all previous declarations and agreements concerning warranties.

The warranty period is valid for eight hours of daily use. If this is exceeded, the warranty period shall be reduced in proportion to the excess use, but to no less than three months.

Returning rejected goods requires the prior express consent of the Seller and is at the Buyer's risk and expense.

Further warranty details can be found in the General Terms and Conditions (GTC). The GTC can be viewed at www.jettools.com or can be sent by post upon request.

The Seller reserves the right to make changes to the product and accessories at any time.

3. Safety

3.1 Authorized use

This machine is designed for grinding metal materials only without use of water.

Machining of other materials is not permitted and may be carried out in specific cases only after consulting with the manufacturer.

Never cut magnesium- high danger to fire!

The proper use also includes compliance with the operating and maintenance instructions given in this manual.

The machine must be operated only by persons familiar with its operation and maintenance and who are familiar with its hazards.

The required minimum age must be observed

The machine must only be used in a technically perfect condition. When working on the machine, all safety mechanisms and covers must be mounted.

In addition to the safety requirements contained in these operating instructions and your country's applicable regulations, you should observe the generally recognized technical rules concerning the operation of metalworking machines.

Any other use exceeds authorization. In the event of unauthorized use of the machine, the manufacturer renounces all liability and the responsibility is transferred exclusively to the operator.

3.2 General safety notes

Metalworking machines can be dangerous if not used properly. Therefore the appropriate general technical rules as well as the following notes must be observed.

Read and understand the entire instruction manual before attempting assembly or operation.

Keep this operating instruction close by the machine, protected from dirt and humidity, and pass it over to the new owner if you part with the tool.

No changes to the machine may be made.

Daily inspect the function and existence of the safety appliances before you start the machine. Do not attempt operation in this case, protect the machine by unplugging the mains cord.

Remove all loose clothing and confine long hair.

Before operating the machine, remove tie, rings, watches, other jewellery, and roll up sleeves above the elbows.

Wear safety shoes; never wear leisure shoes or sandals.

Always wear the approved working outfit.

Use safety goggles at all times.

Use ear protection at all times.

Wear a face and dust mask when working in a dusty environment.

Do NOT stop the abrasive wheel by forcing the machine or by using sideways pressure.

The material to be cut must be held firmly so it can not move during the cutting operation.

Never cut pieces that are too small.

Support long work pieces with helping roller stands.

Never place your hand near the cutting area while machine is in operation.

Do not perform any operation freehand; always have the workpiece supported by the tool rest.

Allow the abrasive wheel to come to a complete standstill before using the unit again or making adjustments.

Do not touch the machined workpiece until it cools or you may be burned!

Install the machine so that there is sufficient space for safe operation and workpiece handling.

Keep work area well lighted.

The machine is designed to operate in closed rooms and must be bolted on a firm workbench or stand.

Make sure that the power cord does not impede work and cause people to trip.

Keep the floor around the machine clean and free of scrap material, oil and grease.

Stay alert!

Give your work undivided attention. Use common sense.

Do not operate the machine when you are tired.

Do not operate the machine under the influence of drugs, alcohol or any medication. Be aware that medication can change your behaviour.

Keep children and visitors a safe distance from the work area.

Do not allow anyone to stand behind the unit or close to the workpiece where debris can be thrown.

Allow the abrasive wheel to reach full speed before cutting.

Flying sparks will occur when cutting. They can cause injury and ignite flammable materials.

Never reach into the machine while it is operating or running down.

Never leave a running machine unattended. Before you leave the workplace switch off the machine.

Do not operate the electric tool near inflammable liquids or gases. Normal brushfire might ignite.

Observe the fire fighting and fire alert options, for example the fire extinguisher operation and place.

Do not use the machine in a dump environment and do not expose it to rain.

Do not force the power tool. It will do a better and safer job and give you much better service if it is used at the rate for which it was designed.

Do not remove chips and workpiece parts until the machine is at a complete standstill.

Make sure the tool operates properly. Periodically check screws and bolts for tightness.

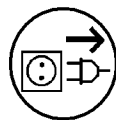
Never operate with the guards not in place – serious risk of injury!

Connection and repair work on the electrical installation may be carried out by a qualified electrician only

Always unwind any extension cords fully.

Damaged extension cords replace immediately.

Do not use the power tool if the ON/OFF switch does not turn the power tool ON and OFF.



Make all machine adjustments or maintenance with the machine unplugged from the power source.

Use only abrasive wheels rated at 3000 RPM or higher.

Remove defective abrasive wheels immediately.

3.3 Remaining hazards

When using the machine according to regulations some remaining hazards may still exist

The moving abrasive wheels in the work area can cause injury.

Broken abrasive wheels can cause injuries.

Thrown cutting chips, dust and noise can be health hazards.

Be sure to wear personal protection gear such as safety goggles, dust mask and ear protection.

Some dust and gases created by power cutting can be health hazards. To reduce your risk of exposure, work in a well ventilated area.

The use of incorrect mains supply or a damaged power cord can lead to injuries caused by electricity.

Avoid body contact with earthed or grounded surfaces (e.g. pipes, radiators, ranges and refrigerators).

4. Machine specifications

4.1 Technical data

JBG-150:

Abrasive wheel	Ø150x 20mm
Shaft diameter	Ø12,7mm (1/2")
No load speed	2950 rpm
Wheel grits	36 / 60

Overall L x W x H	430 x 200 x 265mm
Weight	10 kg

Mains	230V ~1L/N/PE	50Hz
Motor power		260W S1
Reference current		1,5 A
Machine lamp		max. 40W
Extension cord (H07RN-F)		3x1,5mm ²
Installation fuse protection		10A
Isolation class		I

JBG-200:

Abrasive wheel	Ø200x 25mm
Shaft diameter	Ø15,9mm (5/8")
No load speed	2950 rpm
Wheel grits	36 / 60

Overall L x W x H	440 x 230 x 290mm
Weight	17 kg

Mains	230V ~1L/N/PE	50Hz
Motor power		370W S1
Reference current		2,3 A
Machine lamp		max. 37W
Extension cord (H07RN-F)		3x1,5mm ²
Installation fuse protection		10A
Isolation class		I

4.2 Noise emission

Determined according to EN 1807:1999 (Inspection tolerance 4 dB)

Acoustic power level (acc. EN 3746):
Idling 78,2 dB (A)

Acoustic pressure level (EN 11202):
Idling 70,4 dB (A)

The specified values are emission levels and are not necessarily to be seen as safe operating levels. This information is intended to allow the user to make a better estimation of the hazards and risks involved.

4.3 Content of delivery

Bench grinder
Machine light
Abrasive wheels grit 36 and 60
2 Tool rests
2 Spark guards
2 Eye shields
Operating manual
Spare parts list

5. Transport and start up

5.1 Transport and installation

The machine is designed to operate in closed rooms and must be placed stable on firm and levelled surface.

The machine must be bolted down.

For packing reasons the machine is not completely assembled.

5.2 Assembly

If you notice any transport damage while unpacking, notify your supplier immediately. Do not operate the machine!

Dispose of the packing in an environmentally friendly manner.

Clean all rust protected surfaces with a mild solvent.

Mount the tool rests:

There is a left and a right tool rest, ensure that you install them correctly.

Use the bolts (A, Fig 2) and washers (B) and mount the tool rest (C) to the wheel housing (D).

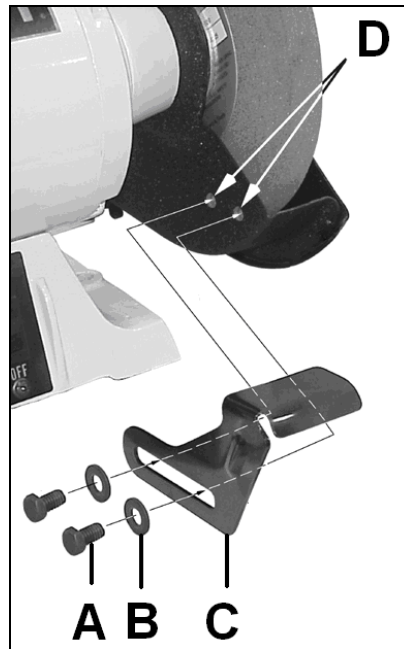


Fig 1

Adjust the tool rest to within 2mm of the grinding wheel.

As the wheel wears down, the tool rest must be re-adjusted.

Assembly of the eye shields:

Thread two screws (E, Fig 2) through the mounting plate (F), eye shield (G), mounting bracket (H) and washers (I), and fasten with nuts (J).

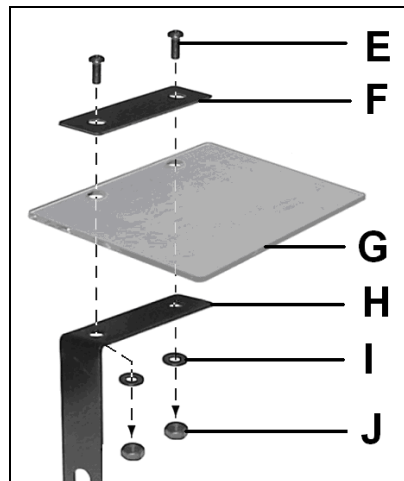


Fig 2

Mounting the spark guards and eye shields:

Use a bolt (K, Fig 3) and washer to mount the eye shield and spark guard (M).

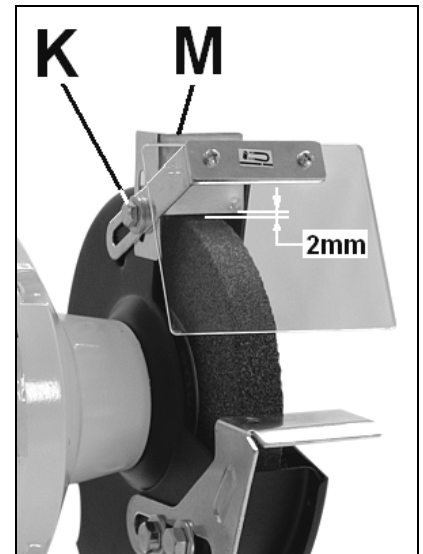


Fig 3

Adjust the spark guard to within 2mm of the grinding wheel.

As the wheel wears down, the spark guard must be re-adjusted.

Mount the bench grinder:

To prevent the grinder from moving during operation, it must be securely mounted to a work bench or stand.

5.3 Mains connection

Mains connection and any extension cords used must comply with applicable regulations.

The mains voltage must comply with the information on the machine licence plate.

The mains connection must have a 10A surge-proof fuse.

Only use power cords marked H07RN-F

Connections and repairs to the electrical equipment may only be carried out by qualified electricians.

5.4 Starting operation

You can start the machine with the green ON-button.

The red OFF-button on the main switch stops the machine.

The machine lamp On/Off-switch is located on top of the lamp.

Use only a max. 40W, 230V light bulb.

6. Machine operation

The bench grinder is designed for grinding metal materials only without use of water.

The Medium Grain Abrasive Wheel is suitable for rough grinding where a considerable amount of metal must be removed.

The Fine Grain Abrasive Wheel is suitable for sharpening tools and grinding to close size and smooth finish.

Hold and guide the workpiece safely during machining.

Do not perform any operation freehand; always have the workpiece supported by the tool rest.

Apply a moderate pressure on the workpiece and keep it moving for smooth grinding.

Pressing too hard overheats the motor and prematurely wears down the grinding wheels.

Note the original bevel angle on the item to be sharpened and try to maintain the same shape.

The grinding wheel should rotate into the object being sharpened.

Keep a tray filled with water and dip your workpiece regularly to prevent overheating. Overheating can weaken metals.

When the wheel becomes loaded of debris, use an approved grinding wheel dresser and dress the wheel.

Warning:

The condition of the abrasive wheels should be checked before each machining process. Work only with flawless abrasive wheels.

Do not allow anyone to stand behind the unit or close to the workpiece where debris can be thrown.

Flying sparks will occur when cutting. They can cause injury and ignite flammable materials.

Use safety goggles at all times.

Use ear protection at all times.

Wear a face and dust mask when working in a dusty environment.

Ensure that the wheel guards are in the correct position before you start machining.

Keep the tool rest and spark guard to within 2mm of the grinding wheel.

Before starting the grinder, turn the wheels by hand making sure they turn freely.

Allow the abrasive wheels to reach full speed before machining.

Do not use the side of the grinding wheel; this puts dangerous stress on the wheel.

Do not stop the wheel by side pressure.

Do not touch the machined workpiece until it cools or you may be burned!

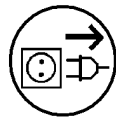
Never place your hand near the cutting area while machine is in operation.

Never machine pieces that are too small to hold safely.

Support long work pieces with helping roller stands.

7. Setup and adjustments

7.1 Changing the abrasive wheel



The abrasive wheel may only be changed when the mains plug is pulled!

The abrasive wheel has to meet the technical specification.

Use only abrasive wheels rated at 3000 RPM or higher.

Check abrasive wheel for flaws (cracks) before installation. Make the ring test.

Ring test:

An internal defect may not be apparent by visual inspection alone.

The ring test may uncover an internal crack or void.

Loop a piece of string through the grinding wheel hole and suspend the wheel.

Tap the wheel with a piece of scrap wood.

A good wheel will "ring"; a defective wheel will "thud".

Do not use a wheel that does not "ring".

To change a wheel:

Disconnect grinder from the power source.

Move the tool rest (C, Fig 4) and the spark guard away from the wheel.

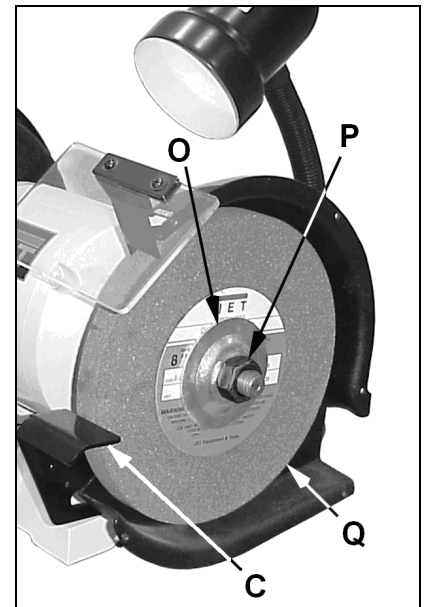


Fig 4

Remove the wheel cover.

Remove the nut (P), clamping flange (O) and abrasive wheel (Q).

Note:

Turn the nut on the right-hand wheel counter-clockwise to loosen. Turn the nut on the left-hand wheel clockwise to loosen (left hand thread).

Clean flanges.

To install the new abrasive wheel reverse the process.

Do not over tighten the nut; this may cause the wheel to crack.

Replace the wheel cover.

Adjust the spark guards and tool rests to a 2mm clearance from the wheel.

Plug in.

Before starting the grinder, turn the wheels by hand making sure they turn freely.

Run the unit and check to make sure the abrasive wheel is in good condition.

When testing a new abrasive wheel, run the unit for 3 minutes.

Note:

Always stand on one side when turning on the unit.

7.2 Adjusting the spark guard

As the wheel wears down, the spark guard must be re-adjusted to maintain a maximum 2mm clearance.

Loosen screw (K, Fig 5) to adjust.

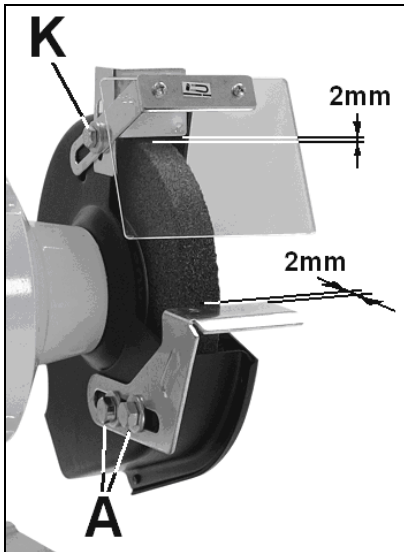


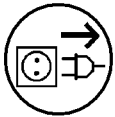
Fig 5

7.3 Adjusting the tool rest

As the wheel wears down, the tool rest must be re-adjusted to maintain a maximum 2mm clearance.

Loosen screws (A) to adjust.

8. Maintenance and inspection



Make all machine adjustments or maintenance with the machine unplugged from the power source.

Maintenance, cleaning and repair work may only be carried out after the machine is protected against accidental starting by pulling the mains plug.

Repair and maintenance work on the electrical system may only be carried out by a qualified electrician.

Clean the machine regularly.

All protective and safety devices must be re-attached immediately after completed cleaning, repair and maintenance work.

Defective safety devices must be replaced immediately.

Cleaning:

Regularly clean the machine housing with a soft cloth preferably after each use.

If the dirt does not come off use a soft cloth moistened with soapy water.

Never use solvents such as petrol, alcohol, ammoniac water, etc. These solvents may damage the plastic parts.

9. Trouble shooting

Motor doesn't start

*No electricity-
check mains and fuse.

*Defective switch, motor or cord-
consult an electrician.

Machine vibrates excessively

*Stand on uneven surface-
adjust base for even support.

*abrasive wheel damaged-
replace abrasive wheel immediately

Grinding surfaces is bad

*Worn abrasive wheel

*workpiece not suitable for machining

*Feed pressure too high-
Do not force the machine.

10. Environmental protection

Protect the environment.

Your appliance contains valuable materials which can be recovered or recycled. Please leave it at a specialized institution.

11. Available accessories

Refer to the JET-Pricelist for various saw blades.

DE - DEUTSCH

Gebrauchsanleitung

Sehr geehrter Kunde,

vielen Dank für das Vertrauen, welches Sie uns beim Kauf Ihrer neuen JET-Maschine entgegengebracht haben. Diese Anleitung ist für den Inhaber und die Bediener zum Zweck einer sicheren Inbetriebnahme, Bedienung und Wartung der Doppelschleifmaschine JBG-150 / 200 erstellt worden. Beachten Sie bitte die Informationen dieser Gebrauchsanleitung und der beiliegenden Dokumente. Lesen Sie diese Anleitung vollständig, insbesondere die Sicherheitshinweise, bevor Sie die Maschine zusammenbauen, in Betrieb nehmen oder warten. Um eine maximale Lebensdauer und Leistungsfähigkeit Ihrer Maschinen zu erreichen befolgen Sie bitte sorgfältig die Anweisungen.

Inhaltsverzeichnis

1. Konformitätserklärung

2. Garantieleistungen

3. Sicherheit

Bestimmungsgemäße Verwendung
Allgemeine Sicherheitshinweise
Restrisiken

4. Maschinenspezifikation

Technische Daten
Schallemission
Lieferumfang

5. Transport und Inbetriebnahme

Transport und Aufstellung
Montage
Elektrischer Anschluss
Inbetriebnahme

6. Betrieb der Maschine

7. Rüst- und Einstellarbeiten

Trennscheibenwechsel
Einstellung Funkenschutz
Einstellung Werkstückauflage

8. Wartung und Inspektion

9. Störungsabhilfe

10. Umweltschutz

11. Lieferbares Zubehör

1. Konformitätserklärung

Wir erklären in alleiniger Verantwortlichkeit, dass dieses Produkt mit den auf Seite 2 angegebenen Richtlinien* übereinstimmt. Bei der Konstruktion wurden folgende Normen** berücksichtigt.

2. Garantieleistungen

Der Verkäufer garantiert, dass das gelieferte Produkt frei von Material- und Fertigungsfehlern ist. Diese Garantie trifft nicht auf jene Defekte zu, welche auf direkten oder indirekten, nicht fachgerechten Gebrauch, Unachtsamkeit, Unfallschaden, Reparatur, mangelhafte Wartung bzw. Reinigung sowie normalen Verschleiß zurückzuführen sind.

Garantie- bzw. Gewährleistungsansprüche müssen innerhalb von 12 Monaten ab dem Verkaufsdatum (Rechnungsdatum) geltend gemacht werden. Weitergehende Ansprüche sind ausgeschlossen.

Die vorliegende Garantie umfasst sämtliche Garantieverpflichtungen seitens des Verkäufers und ersetzt alle früheren Erklärungen und Vereinbarungen betreffend Garantien.

Die Garantiefrist gilt für eine tägliche Betriebszeit von 8 Stunden. Wird diese überschritten, so verkürzt sich die Garantiefrist proportional zur Überschreitung, jedoch höchstens auf 3 Monate.

Die Rücksendung beanstandeter Ware bedarf der ausdrücklichen vorherigen Zustimmung vom Verkäufer und geht auf Kosten und Gefahr des Käufers.

Die ausführlichen Garantieleistungen sind den Allgemeinen Geschäftsbedingungen (AGB) zu entnehmen. Die AGB sind unter www.jettools.com einzusehen oder werden auf Anfrage per Post zugestellt.

Der Verkäufer behält sich das Recht vor, jederzeit Änderungen am Produkt und Zubehör vorzunehmen.

3. Sicherheit

3.1 Bestimmungsgemäße Verwendung

Die Maschine ist zum Schleifen von Metall, ohne Gebrauch von Wasser, geeignet.

Die Bearbeitung anderer Werkstoffe ist nicht zulässig bzw. darf in Sonderfällen nur nach Rücksprache mit dem Maschinenhersteller erfolgen.

Niemals Magnesium bearbeiten, hohe Feuergefahr.

Die bestimmungsgemäße Verwendung beinhaltet auch die Einhaltung der vom Hersteller angegebenen Betriebs- und Wartungsanweisungen.

Die Maschine darf ausschließlich von Personen bedient werden, die mit Betrieb und Wartung vertraut und über die Gefahren unterrichtet sind.

Das gesetzliche Mindestalter ist einzuhalten.

Die Maschine nur in technisch einwandfreiem Zustand benutzen.

Beim Arbeiten an der Maschine müssen sämtliche Schutzeinrichtungen und Abdeckungen montiert sein.

Neben den in der Gebrauchsanleitung enthaltenen Sicherheitshinweisen und den besonderen Vorschriften Ihres Landes sind die für den Betrieb von Metallbearbeitungsmaschinen allgemein anerkannten fachtechnischen Regeln zu beachten.

Jeder darüber hinaus gehende Gebrauch gilt als nicht bestimmungsgemäß und für daraus resultierende Schäden haftet der Hersteller nicht. Das Risiko trägt allein der Benutzer.

3.2 Allgemeine Sicherheitshinweise

Metallbearbeitungsmaschinen können bei unsachgemäßem Gebrauch gefährlich sein. Deshalb ist zum sicheren Betreiben die Beachtung der zutreffenden Unfallverhütungsvorschriften und der nachfolgenden Hinweise erforderlich.

Lesen und verstehen Sie die komplette Gebrauchsanleitung bevor Sie mit Montage oder Betrieb der Maschine beginnen.

Bewahren Sie die Bedienungsanleitung, geschützt vor Schmutz und Feuchtigkeit, bei der Maschine auf, und geben Sie sie an einen neuen Eigentümer weiter.

An der Maschine dürfen keine Veränderungen, An- und Umbauten vorgenommen werden.

Überprüfen Sie täglich vor dem Einschalten der Maschine die einwandfreie Funktion und das Vorhandensein der erforderlichen Schutzeinrichtungen.

Festgestellte Mängel an der Maschine oder den Sicherheitseinrichtungen sind zu melden und von den beauftragten Personen zu beheben. Nehmen Sie die Maschine in solchen Fällen nicht in Betrieb, sichern Sie die Maschine gegen Einschalten durch Ziehen des Netzsteckers.

Zum Schutz von langem Kopfhaar Mütze oder Haarnetz aufsetzen.

Enganliegende Kleidung tragen, Schmuck, Ringe und Armbanduhren ablegen.

Tragen Sie Schutzschuhe, keinesfalls Freizeitschuhe oder Sandalen.

Verwenden Sie die durch Vorschriften geforderte persönliche Schutzausrüstung.

Verwenden Sie immer eine Schutzbrille.

Verwenden Sie immer einen Gehörschutz.

Beim Arbeiten in staubiger Umgebung immer eine Staubschutzmaske tragen.

Das Stoppen der Schleifscheibe durch seitlichen Druck ist nicht zulässig.

Das zu schleifende Werkstück muss während der Bearbeitung fest und sicher geführt werden.

Zu kleine Werkstücke nicht schleifen.

Lange Werkstücke durch Rollenböcke abstützen.

Während des Betriebs der Maschine mit den Fingern ausreichend Abstand zum Schleifbereich halten.

Schleifen Sie niemals aus der freien Hand, das Werkstück stets an der Werkstückauflage abstützen.

Beachten Sie, dass die Schleifscheiben vor dem neuerlichen Einschalten oder vor Einstellarbeiten komplett stillstehen.

Berühren Sie niemals das bearbeitete Werkstück bevor es abgekühlt ist. Verbrennungsgefahr!

Die Maschine so aufstellen, dass genügend Platz zum Bedienen und zum Führen der Werkstücke gegeben ist.

Sorgen Sie für gute Beleuchtung.

Die Aufstellung der Maschine sollte in geschlossenen Räumen erfolgen.

Die Maschine muss auf einer belastbaren Werkbank oder am Bodenpodest festgeschraubt werden.

Beachten Sie dass die elektrische Zuleitung nicht den Arbeitsablauf behindert und nicht zur Stolperstelle wird.

Den Arbeitsplatz frei von behindernden Werkstücken, etc. halten.

Seien Sie aufmerksam und konzentriert. Gehen Sie mit Vernunft an die Arbeit.

Arbeiten Sie niemals unter dem Einfluss von Rauschmitteln wie Alkohol und Drogen an der Maschine. Beachten Sie, dass auch Medikamente Einfluss auf Ihr Verhalten nehmen können.

Halten Sie Unbeteiligte, insbesondere Kinder vom Gefahrenbereich fern.

Lassen Sie niemanden hinter der Schleifmaschine oder in der Nähe des Werkstücks stehen, wo Abfallmaterial herumfliegen kann.

Die Schleifscheiben müssen die volle Drehzahl erreichen, bevor Sie mit dem Schleifen beginnen können.

Funkenflug, der beim Schleifen auftritt, kann zu Verletzungen führen und feuergefährliche Materialien entzünden.

Niemals in die laufende Maschine greifen.

Die laufende Maschine nie unbeaufsichtigt lassen. Vor dem Verlassen des Arbeitsplatzes die Maschine ausschalten.

Benützen Sie die Maschine nicht in der Nähe von brennbaren Flüssigkeiten oder Gasen. Normales Bürstenfeuer könnte zur Entzündung führen.

Beachten Sie die Brandmelde- und Brandbekämpfungsmöglichkeiten z.B. Standort und Bedienung von Feuerlöschern.

Benützen Sie die Maschine nicht in feuchter Umgebung und setzen Sie sie nicht dem Regen aus.

Die Maschine nicht überfordern. Sie arbeitet viel besser und hält länger, wenn sie der Leistung entsprechend eingesetzt wird.

Späne und Werkstückteile nur bei stehender Maschine entfernen.

Stellen Sie sicher, dass das Werkzeug richtig funktioniert. Überprüfen Sie regelmäßig, ob die Schrauben fest angezogen sind.

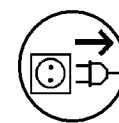
Die Maschine nie bei entfernten Schutzeinrichtungen in Betrieb nehmen – große Verletzungsgefahr!

Arbeiten an der elektrischen Ausrüstung der Maschine dürfen nur durch eine Elektrofachkraft vorgenommen werden.

Verlängerungskabel immer ganz von der Trommel abwickeln.

Tauschen Sie ein beschädigtes Verlängerungskabel sofort aus.

Niemals Elektrowerkzeug benutzen, wenn der Ein-Ausschalter nicht ordnungsgemäß funktioniert.



Umrüst-, Einstell- und Reinigungsarbeiten nur im Maschinenstillstand und bei gezogenem Netzstecker vornehmen.

Nur Schleifscheiben verwenden welche für mindestens 3000 U/min spezifiziert sind.

Schadhafte Schleifscheiben sofort ersetzen.

3.3 Restrisiken

Auch bei vorschriftsmäßiger Benutzung der Maschine bestehen die nachfolgend aufgeführten Restrisiken:

Verletzungsgefahr durch die frei laufenden Schleifscheiben im Arbeitsbereich.

Gefährdung durch Bruch der Schleifscheibe.

Gefährdung durch wegfliegende Werkstückteile, Lärm und Staub. Unbedingt persönliche Schutzausrüstung wie Augen- Gehör- und Staubschutz tragen.

Staub und manche Gase welche beim Schleifen entstehen können gesundheitsschädlich sein. Um Ihr Gesundheitsrisiko zu verringern, arbeiten Sie nur in gut belüftetem Bereich.

Gefährdung durch Strom bei nicht ordnungsgemäßer Verkabelung. Körperkontakt mit geerdeten Geräten (z.B. Rohre, Heizkörper, Kochherde etc.) vermeiden.

4. Maschinenspezifikation

4.1 Technische Daten

JBG-150:

Schleifscheibe Ø150x 20mm
Scheibenbohrung Ø12,7mm (1/2")
Leerlaufdrehzahl 2950 U/min
Schleifscheiben Körnung 36 / 60

Maschinenabmessung (L x B x H)
430 x 200 x 265mm
Gewicht 10 kg

Netzanschluss 230V ~1L/N/PE 50Hz
Motorleistung 260W S1
Nennstrom 1,5 A
Maschinenleuchte max. 40W
Anschlussleitung (H07RN-F) 3x1,5mm²
Bauseitige Absicherung 10A
Isolationsklasse I

JBG-200:

Schleifscheibe Ø200x 25mm
Scheibenbohrung Ø15,9mm (5/8")
Leerlaufdrehzahl 2950 U/min
Schleifscheiben Körnung 36 / 60

Maschinenabmessung (L x B x H)
440 x 230 x 290mm
Gewicht 17 kg

Netzanschluss 230V ~1L/N/PE 50Hz
Motorleistung 370W S1
Nennstrom 2,3 A
Maschinenleuchte max. 40W
Anschlussleitung (H07RN-F) 3x1,5mm²
Bauseitige Absicherung 10A
Isolationsklasse I

4.2 Schallemission

Werte ermittelt nach EN 1807:1999
(Messunsicherheitsfaktor 4 dB)

Schalleistungspegel (nach EN 3746):
Leerlauf 78,2 dB(A)

Schalldruckpegel (nach EN 11202):
Leerlauf 70,4 dB(A)

Die angegebenen Werte sind Emissionspegel und sind nicht notwendigerweise Pegel für sicheres Arbeiten.

Sie sollen dem Anwender der Maschine eine bessere Abschätzung der Gefährdung und des Risikos ermöglichen.

4.3 Lieferumfang

Doppelschleifmaschine
Maschinenleuchte
Schleifscheiben, Körnung 36 und 60
2 Werkstückauflagen
2 Funkenschutze
2 Sichtgläser
Gebrauchsanleitung
Ersatzteilliste

5. Transport und Inbetriebnahme

5.1. Transport und Aufstellung

Die Aufstellung der Maschine sollte in geschlossenen Räumen erfolgen. Die Aufstellfläche muss ausreichend eben und belastungsfähig sein.

Die Maschine muss auf der Aufstellfläche befestigt werden.

Aus verpackungstechnischen Gründen ist die Maschine nicht komplett montiert.

5.2 Montage

Wenn Sie beim Auspacken einen Transportschaden feststellen benachrichtigen Sie umgehend Ihren Händler, nehmen Sie das Gerät nicht in Betrieb!

Entsorgen Sie die Verpackung bitte umweltgerecht.

Entfernen Sie das Rostschutzfett mit einem milden Lösungsmittel.

Montage der Werkstückauflagen:

Es gibt eine linke und eine rechte Werkstückauflage. Achten Sie auf die richtige Montage.

Befestigen Sie die Werkstückauflage (C, Fig 1) mit den Sechskant-Schrauben (A) und den Scheiben (B) am Scheibengehäuse (D).

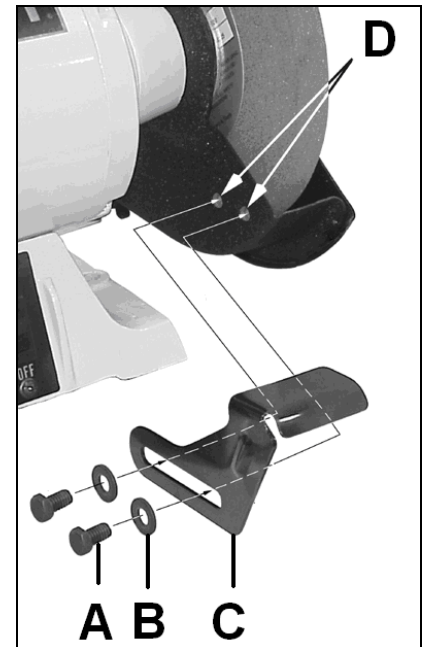


Fig 1

Stellen Sie die Werkstückauflage auf einen Abstand von maximal 2mm zur Schleifscheibe ein.

Wenn die Schleifscheibe verschleißt muss die Werkstückauflage nachgestellt werden.

Montage der Sichtgläser:

Schrauben Sie 2 Linsenkopfschrauben (E, Fig 2) durch das Klemmblech (F), das Sichtglas (G), den Montagewinkel (H), die Scheiben (I) und ziehen sie die Muttern (J) fest.

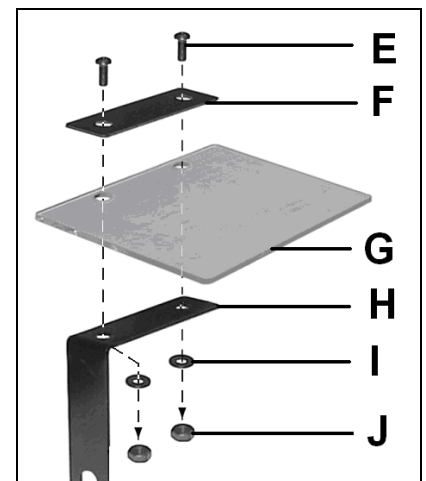


Fig 2

Montage des Funkenschutzes und der Sichtgläser:

Es gibt einen linken und einen rechten Funkenschutz. Achten Sie auf die richtige Montage.

Befestigen Sie das Sichtglas und den Funkenschutz (M, Fig 3) mit einer Sechskante-Schraube (K) und Scheibe am Scheibengehäuse.

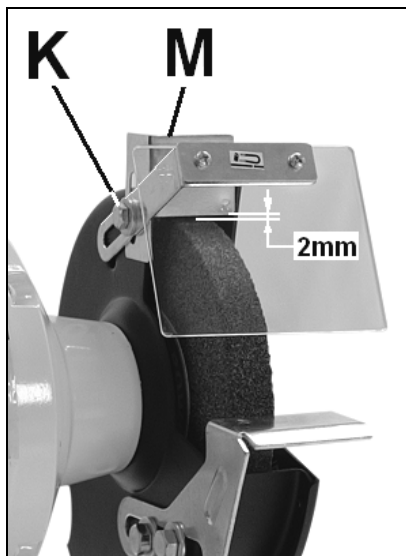


Fig 3

Stellen Sie den Funkenschutz auf einen Abstand von maximal 2mm zur Schleifscheibe ein.

Wenn die Schleifscheibe verschleißt muss der Funkenschutz nachgestellt werden.

Montage der Schleifmaschine:

Um ein Verrutschen der Maschine im Betrieb zu verhindern muss diese auf der Aufstellfläche festgeschraubt werden.

5.3 Elektrischer Anschluss

Der kundenseitige Netzanschluss sowie die verwendeten Verlängerungsleitungen müssen den Vorschriften entsprechen.

Die Netzspannung und Frequenz müssen mit den Leistungsschilddaten an der Maschine übereinstimmen.

Die bauliche Absicherung muss 10A betragen.

Verwenden Sie nur Anschlussleitungen mit Kennzeichnung H07RN-F.

Anschlüsse und Reparaturen der elektrischen Ausrüstung dürfen nur von einer Elektrofachkraft durchgeführt werden.

5.4 Inbetriebnahme

Die Maschine kann mit dem grünen Ein-Taster gestartet werden.

Der rote Aus-Taster am Hauptschalter stoppt die Maschine.

Der Lichtschalter befindet sich auf der Maschinenleuchte.

Verwenden Sie nur 230V Lampenbirnen mit maximal 40W.

6. Betrieb der Maschine

Der Doppelschleifbock ist geeignet zum Handschleifen von Metall ohne Gebrauch von Wasser.

Die Schleifscheibe mit mittlerer Körnung ist zum schnellen Entfernen von Material geeignet.

Die Schleifscheibe mit feiner Körnung ist z.B. zum Schärfen von Werkzeugen und zum Schleifen aus Maß und Oberfläche geeignet.

Das zu schleifende Werkstück muss während der Bearbeitung fest und sicher geführt werden.

Schleifen Sie niemals aus der freien Hand, das Werkstück stets an der Werkstückauflage abstützen.

Drücken Sie das Werkstück leicht gegen die Schleifscheibe und bleiben Sie mit dem Werkstück in Bewegung um eine glatte Oberfläche zu bekommen.

Hoher Schleifdruck führt zu Motorüberlast und schnellem Scheibenverschleiß.

Versuchen Sie die Original-Schärfwinkel beizubehalten.

Die Schleifscheibe soll gegen die Schneide laufen.

Tauchen Sie das Werkstück regelmäßig in eine bereitgestellte Wassertasse. Überhitzung schwächt das Material.

Wenn die Schleifscheibe zugesetzt oder stumpf ist, ziehen Sie die Scheibe mit einem geeigneten Abziehwerkzeug (z.B. Abziehdiamant) ab.

Achtung:

Kontrollieren Sie vor jeder Bearbeitung zuerst den Zustand der Schleifscheiben.

Nur mit fehlerlosen Schleifscheiben arbeiten!

Lassen Sie niemanden hinter der Maschine oder in der Nähe des Werkstücks stehen, wo Abfallmaterial herumfliegen kann.

Funkenflug, der beim Schleifen auftritt, kann zu Verletzungen führen und feuergefährliche Materialien entzünden.

Verwenden Sie immer eine Schutzbrille.

Verwenden Sie immer einen Gehörschutz.

Beim Arbeiten in staubiger Umgebung immer eine Staubschutzmaske tragen.

Gewährleisten Sie, dass sich die Scheibenabdeckungen in Position befinden, bevor Sie mit dem Schleifen beginnen.

Halten Sie für die Werkstückauflage und den Funkenschutz einen Abstand von maximal 2mm zur Schleifscheibe ein.

Die Schleifscheibe muss die volle Drehzahl erreichen, bevor Sie mit dem Schleifen beginnen.

Nicht an den Stirnseiten der Schleifscheibe schleifen. Dies führt zu hoher Scheibenbelastung.

Stoppen der Schleifscheibe durch seitlichen Druck ist nicht zulässig.

Berühren Sie niemals das bearbeitete Werkstück bevor es abgekühlt ist. Verbrennungsgefahr!

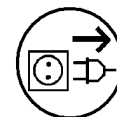
Während des Betriebs der Maschine mit den Fingern ausreichend Abstand zum Schleifbereich halten.

Zu kleine Werkstücke nicht bearbeiten.

Lange Werkstücke durch Rollenböcke abstützen.

7. Rüst- und Einstellarbeiten

7.1 Montage der Trennscheibe



Der Schleifscheibenwechsel darf nur bei gezogenem Netzstecker erfolgen!

Die Schleifscheibe muss den angegeben technischen Daten entsprechen.

Nur Schleifscheiben verwenden welche für mindestens 3000 U/min spezifiziert sind.

Die Schleifscheibe vor dem Montieren auf Fehler (Risse) prüfen. Machen Sie den Schall-Test.

Schall-Test:

Ein Scheibenriss kann möglicherweise von Außen nicht erkannt werden.

Hängen Sie die Schleifscheibe an einer durch die Bohrung gefädelt Schnur frei auf.

Klopfen Sie mit einem Stück Holz auf die Scheibe.

Eine Schleifscheibe ohne Riss wird "schallen", wobei eine defekte Scheibe ein gedämpftes dumpfes Geräusch von sich gibt.

Montieren Sie keine Schleifscheibe welche nicht "schallt"

Wechsel einer Schleifscheibe:

Die Stromzufuhr durch Ziehen des Netzsteckers trennen.

Stellen Sie die Werkstückauflage (C, Fig 4) und den Funkenschutz von der Schleifscheibe weg.

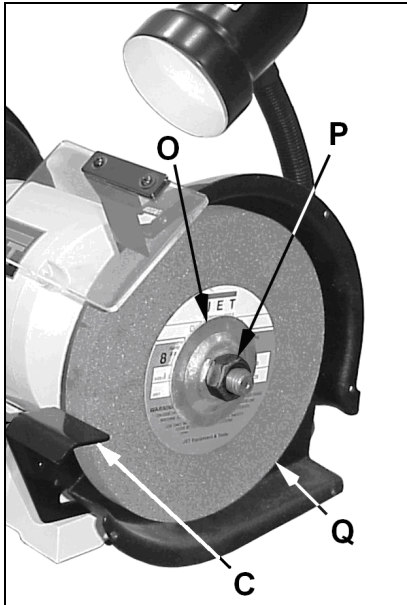


Fig 4

Entfernen Sie die Scheibenabdeckung.

Entfernen Sie die Mutter (P), den Klemmflansch (O) und Schleifscheibe (Q).

Hinweis:

Drehen Sie die Mutter an der rechten Scheibe zum Lösen gegen den Uhrzeigersinn.

Drehen Sie die Mutter an der linken Scheibe zum Lösen im Uhrzeigersinn (Linksgewinde).

Reinigen Sie den Klemmflansch.

Zum Einsetzen der neuen Schleifscheibe den Vorgang umgekehrt ausführen.

Die Mutter nicht zu fest anziehen. Dies könnte zu einem Scheibenbruch führen.

Bringen Sie die Scheibenabdeckung wieder an.

Stellen Sie für die Werkstückauflage und den Funkenschutz auf einen Abstand von maximal 2mm zur Schleifscheibe ein.

Netzstecker einstecken.

Drehen Sie die Schleifscheibe von Hand um den freien Lauf zu prüfen.

Maschine laufen lassen und prüfen, ob die Schleifscheibe in gutem

Zustand ist.

Zur Prüfung einer neuen Schleifscheibe die Maschine 3 Minuten laufen lassen.

Achtung:

Beim Starten der Maschine immer auf der Seite stehen.

7.2 Einstellung Funkenschutz

Wenn die Schleifscheibe verschleißt muss der Funkenschutz auf maximal 2mm Abstand nachgestellt werden.

Zum Einstellen die Schraube (K, Fig 5) lösen.

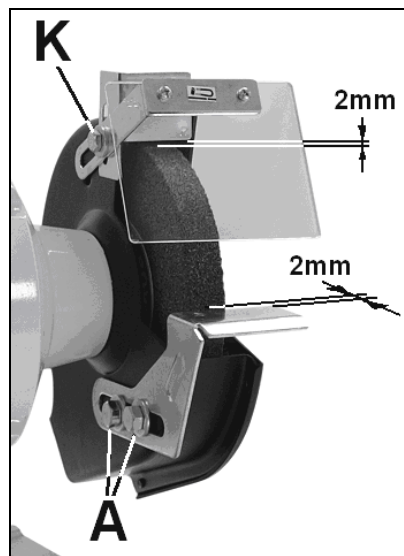


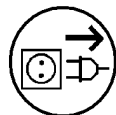
Fig 5

7.3 Einstellung Werkstückauflage

Wenn die Schleifscheibe verschleißt muss die Werkstückauflage auf maximal 2mm Abstand nachgestellt werden.

Zum Einstellen die Schrauben (A) lösen.

8. Wartung und Inspektion



Wartungs-, Reinigungs- und Reparaturarbeiten nur bei gezogenem Netzstecker durchführen.

Vor Wartungs- Reinigungs- und Reparaturarbeiten muss die Maschine gegen Inbetriebnahme gesichert werden. Netzstecker ziehen!

Anschlüsse und Reparaturen der elektrischen Ausrüstung dürfen nur von einer Elektrofachkraft durchgeführt werden.

Reinigen Sie die Maschine regelmäßig.

Alle Schutzeinrichtungen müssen nach Wartungs-, Reinigungs- oder Reparaturarbeiten sofort wieder montiert werden.

Ersetzen Sie beschädigte Schutzeinrichtungen sofort.

Reinigung:

Reinigen Sie das Maschinengehäuse regelmäßig mit einem weichen Tuch, vorzugsweise nach jedem Einsatz. Halten Sie die Lüftungsschlitze frei von Staub und Schmutz.

Entfernen Sie hartnäckigen Schmutz mit einem weichen, mit Seifenwasser angefeuchteten Tuch.

Verwenden Sie keine Lösungsmittel wie Benzin, Alkohol, Ammoniak usw. Derartige Stoffe beschädigen die Kunststoffteile.

9. Störungsabhilfe

Motor startet nicht

*Kein Strom-Zuleitung und Sicherung prüfen.

*Motor, Schalter oder Kabel defekt-Elektrofachkraft kontaktieren.

Starke Maschinenvibrationen

*Maschine steht uneben-Ausgleich schaffen.

*Schleifscheibe beschädigt-Schleifscheibe sofort ersetzen.

Schleifbild ist schlecht

*verbrauchte Schleifscheibe

*Werkstück Material nicht zum Schleifen geeignet

*Vorschubdruck zu hoch-Bearbeitung nie erzwingen.

10. Umweltschutz

Schützen Sie die Umwelt!

Ihr Gerät enthält mehrere unterschiedliche, wiederverwertbare Werkstoffe.

Bitte entsorgen Sie es nur an einer spezialisierten Entsorgungsstelle.

11. Lieferbares Zubehör

Verschiedene Schleifscheiben finden Sie in der Jet Preisliste.

FR - FRANCAIS

Mode d'emploi

Cher client,

Nous vous remercions de la confiance que vous nous portez avec l'achat de votre nouvelle machine JET. Ce manuel a été préparé pour l'opérateur de la ponceuse double JBG-150 / JBG-200. Son but, mis à part le fonctionnement de la machine, est de contribuer à la sécurité par l'application des procédés corrects d'utilisation et de maintenance. Avant de mettre l'appareil en marche, lire les consignes de sécurité et de maintenance dans leur intégralité. Pour obtenir une longévité et fiabilité maximales de votre ponceuse, et pour contribuer à l'usage sûr de la machine, veuillez lire attentivement ce mode d'emploi et suivre les instructions.

Table des Matières

1. Déclaration de conformité
2. Prestations de garantie
3. Sécurité
Utilisation conforme
Consignes de sécurité
Risques
4. Spécifications
Indications techniques
Emission de bruit
Contenu de la livraison
5. Transport et montage
Transport
Montage
Raccordement au réseau électr.
Mise en exploitation
6. Fonctionnement de la machine
7. Réglages
Changement disque abrasif
Réglage écran de protection contre les étincelles
Réglage du plan de travail
8. Entretien et inspection
9. Détecteur de pannes
10. Protection de l'environnement
11. Accessoires

1. Déclaration de conformité

Par le présent et sous notre responsabilité exclusive, nous déclarons que ce produit satisfait aux normes conformément aux lignes directrices indiquées page 2.

2. Prestations de garantie

Le vendeur garantit que le produit livré est exempt de défauts de matériel et de fabrication. La présente garantie ne s'applique pas aux défauts résultant d'une utilisation directe ou indirecte incorrecte, de l'inattention, d'un accident, d'une réparation, d'une maintenance ou d'un nettoyage insuffisant, ou encore de l'usure normale.

Il est possible de faire valoir des prétentions en garantie dans les 12 mois suivant la date de la vente (date de la facture). Toute autre prétention est exclue.

La présente garantie comprend toutes les obligations de garantie incombant au vendeur et remplace toutes les déclarations et conventions antérieures en termes de garanties.

Le délai de garantie s'applique pour une durée d'exploitation de huit heures par jour. Au-delà, le délai de garantie diminue proportionnellement au dépassement, mais pas en deçà de trois mois.

Le renvoi d'une marchandise faisant l'objet d'une réclamation requiert l'accord préalable exprès du vendeur et s'effectue aux frais et aux risques de l'acheteur.

Les prestations de garantie détaillées figurent dans les Conditions générales (CG). Ces dernières sont disponibles sur www.jettools.com ou peuvent être envoyées par la poste sur demande.

Le vendeur se réserve le droit de modifier à tout moment le produit et les accessoires.

3. Sécurité

3.1 Utilisation conforme

Cette machine est conçue pour le ponçage du métal, sans utiliser de l'eau.

Le travail d'autres matériaux est interdit et ne peut être effectué que dans des cas spéciaux et après accord du fabricant de la machine.

Ne jamais usiner du magnésium Dangers d'incendies

L'utilisation conforme implique le strict respect des instructions de service et de maintenance indiquées dans ce manuel.

La machine doit être exclusivement utilisée par des personnes familiarisées avec le fonctionnement, la maintenance et la remise en état, et qui sont informées des dangers correspondants.

L'âge requis par la loi est à respecter.

La machine ne doit être utilisée que si elle est en parfait état.

En plus des directives de sécurité contenues dans ce mode d'emploi et des consignes de sécurité en vigueur dans votre pays, il faut respecter les règles générales concernant l'utilisation des machines pour le travail des métaux.

Toute utilisation sortant de ce cadre est considérée comme non-conforme et le fabricant décline toute responsabilité, qui est dans ce cas rejetée exclusivement sur l'utilisateur.

3.2 Consignes de sécurité

L'utilisation non-conforme d'une machine pour le travail des métaux peut être très dangereuse. C'est pourquoi vous devez respecter scrupuleusement les consignes de lutte contre les accidents et les instructions suivantes.

Lire attentivement et comprendre ce mode d'emploi avant de monter ou d'utiliser votre appareil.

Conserver à proximité de la machine tous les documents fournis avec l'outillage (dans une pochette en plastique, à l'abri de la poussière, de l'huile et de l'humidité) et veiller à joindre cette documentation si vous cédez l'appareil.

Ne pas effectuer de modifications à la machine. Utiliser les accessoires recommandés, des accessoires incorrects peuvent être dangereux.

Chaque jour avant d'utiliser la machine, contrôler les dispositifs de protection et le fonctionnement impeccable.

En cas de défauts à la machine ou aux dispositifs de protection avertir les personnes compétentes et ne pas utiliser la machine. Déconnecter la machine du réseau.

Avant de mettre la machine en marche, retirer cravate, bagues, montre ou autres bijoux et retrousser les manches jusqu'aux coudes. Enlever tous vêtements flottants et nouer les cheveux longs.

Porter des chaussures de sécurité, surtout pas de tenue de loisirs ou de sandales.

Porter équipement de sécurité personnel pour travailler à la machine.

Toujours utiliser des lunettes de protection.

Toujours travailler avec un casque de protection acoustique.

Lors du travail en milieu poussiéreux, porter un masque anti-poussières.

Ne pas arrêter le disque abrasif en utilisant de la pression latérale.

La pièce à usinée doit être fortement fixée afin qu'elle ne puisse pas bouger pendant le travail.

Ne jamais travailler des pièces trop petites.

Utiliser des rallonges de table pour le travail des pièces longues.

Pendant l'usinage, éloigner suffisamment les doigts de la zone de travail.

Ne jamais travailler en tenant la pièce seulement dans la main, il faut toujours que la pièce soit appuyée sur le plan de travail.

Avant de remettre la machine en route ou d'effectuer un réglage, veiller à ce que le disque abrasif soit complètement arrêté.

Ne jamais toucher les pièces travaillées avant qu'elles ne soient refroidies – dangers de brûlures!

Placer la machine de sorte à laisser un espace suffisant pour la manœuvre et le guidage des pièces à usiner.

Veiller à un éclairage suffisant.

Effectuer le montage de la machine dans un local fermé.

La machine doit être fixée sur un établi solide ou sur un socle.

S'assurer que le câble d'alimentation ne gêne pas le travail ni ne risque de faire trébucher l'opérateur.

Conserver le sol autour de la machine propre, sans déchets, huile ou graisse.

Prêter une grande attention à votre travail et rester concentré.

Ne pas travailler sous l'influence de drogues, d'alcool ou de médicaments.

Eloigner de la machine toutes personnes incompetentes, surtout les enfants.

N'autoriser personne à se tenir derrière la machine ou près de la pièce d'oeuvre, lieux où des déchets peuvent être éjectés.

Ne commencer le travail que lorsque le disque abrasif tourne à plein régime.

Les étincelles provenant du ponçage peuvent engendrer des blessures ou provoquer l'inflammation de matériaux inflammables.

Ne jamais mettre les mains dans la machine en marche.

Ne jamais laisser la machine en marche sans surveillance. Arrêter la machine avant de quitter la zone de travail.

Ne pas mettre la machine à proximité de liquides ou de gaz inflammables. De simples étincelles aux balais peuvent produire une inflammation.

Tenir compte des possibilités de prévention et de lutte contre les incendies, par ex. lieu et utilisation des extincteurs.

Préserver la machine de l'humidité et ne jamais l'exposer à la pluie.

Ne pas faire forcer le moteur. Votre machine vous rendra de meilleurs services et donnera de meilleurs résultats, sans nuire à la sécurité, si elle est utilisée selon la fréquence pour laquelle elle a été conçue.

Ne pas enlever les copeaux et les pièces usinées avant que la machine ne soit à l'arrêt.

S'assurer que la machine fonctionne correctement, contrôler régulièrement que les vis sont bien bloquées.

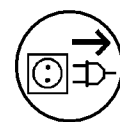
Ne jamais utiliser la machine sans les dispositifs de protection – Dangers importants de blessures !

Tous travaux de branchement et de réparation sur l'installation électrique doivent être exécutés uniquement par un électricien qualifié.

Toujours dérouler entièrement les rallonges.

Remplacer immédiatement les rallonges endommagées.

Ne pas utiliser la machine, si l'interrupteur ON/OFF n'arrête ni ne met la machine en marche de manière effective.



Faire tous les travaux d'équipement, de réglage et de nettoyage sur la machine à l'arrêt et après l'avoir déconnectée du réseau.

N'utiliser que des disques abrasifs tournant à 3000 T/min ou plus.

Remplacer immédiatement tous disques abrasifs endommagés

3.3 Risques

Même en respectant les directives et les consignes de sécurité les risques suivants existent.

Danger de blessures par le disque abrasif en travaillant sans le dispositif de protection.

Danger par rupture du disque abrasif.

Danger de pièces éjectées.

Risque de nuisance par poussières de bois, copeaux et bruit. Porter équipements de sécurité personnels tels que lunettes, cache-visage pour travailler à la machine.

La poussière et certains gaz peuvent être nuisibles à la santé. Pour limiter les risques de nuisances, travailler dans une pièce bien aérée.

Danger par câble électrique endommagé, usé ou mal branché. Éviter le contact du corps avec les surfaces conductrices ou reliées à la terre (ex. tuyaux, radiateurs, enfilades et réfrigérateurs.)

4. Spécifications

4.1 Indications techniques

JBG-150:

Disque abrasif Ø150x 20mm
 Perforation du disque Ø12,7mm (1/2")
 Vitesse rot. course libre 2950 T/min
 Grains du disque 36 / 60

Dimensions (L x l x h)

430 x 200 x 265mm

Poids 10 kg

Voltage 230V ~1L/N/PE 50Hz

Puissance 260W S1

Courant électrique 1,5 A

Eclairage max. 40W

Raccordement (H07RN-F) 3x1,5mm²

Fusible secteur électrique 10A

Isolation I

JBG-200:

Disque abrasif Ø200x 25mm
 Perforation du disque Ø15,9mm (5/8")
 Vitesse rot. course libre 2950 T/min
 Grains du disque 36 / 60

Dimensions (L x l x h)

440 x 230 x 290mm

Poids 17 kg

Voltage 230V ~1L/N/PE 50Hz

Puissance 370W S1

Courant électrique 2,3 A

Eclairage max. 40W

Raccordement (H07RN-F) 3x1,5mm²

Fusible secteur électrique 10A

Isolation I

4.2 Emission de bruit

Indications selon EN 1807:1999
 (incertitude de mesure 4 dB)

Puissance sonore (selon EN 3746):
 Marche à vide 78,2 dB (A)

Niveau de pression sonore (selon EN 11202):
 Marche à vide 70,4 dB (A)

Les indications données sont des niveaux de bruit et ne sont pas forcément les niveaux pour un travail sûr. Cette information est tout de même importante, ainsi l'utilisateur peut estimer les dangers et les risques possibles.

4.3 Contenu de la livraison

Ponceuse double
 Eclairage de la zone de travail
 Disque abrasif, Grain 36 et 60
 2 supports de pièce
 2 écrans contre les étincelles
 2 regards en verre
 Mode d'emploi
 Liste pièces de rechange

5. Transport et mise en exploitation

5.1. Transport

Effectuer le montage de la machine dans un local fermé. Placer la machine sur une surface stable et plane.

La machine doit être fixée à la surface.

Pour des raisons techniques d'emballage la machine n'est pas complètement montée à la livraison.

5.2 Montage

Avertir immédiatement JET si vous constatez des pièces endommagées par le transport et ne pas monter la machine.

Éliminer l'emballage dans le respect de l'environnement.

Enlever la protection antirouille sur la table avec un dissolvant.

Montage des plans de travail:

Il y a un plan de travail droit et un gauche, il faut bien en tenir compte lors du montage.

Fixer les plans de travail (C, Fig 1) avec les vis hexagonales (A) et les rondelles (B) sur le carter du disque abrasif (D).

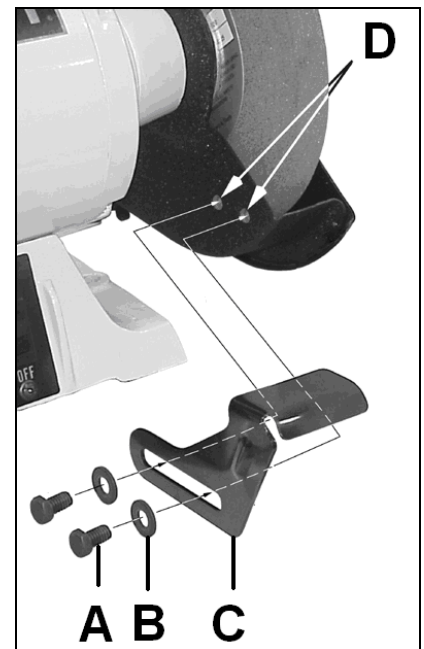


Fig 1

Positionner les plans de travail à une distance maximale de 2 mm du disque.

Quand le disque s'use il faut repositionner les plans de travail.

Montage des regards en verre:

Visser les 2 vis à tête goutte de suif (E, Fig 2) à travers la tôle à griffes (F), le regard (G), l'équerre de montage (H), la rondelle (I) et bloquer l'écrou (J).

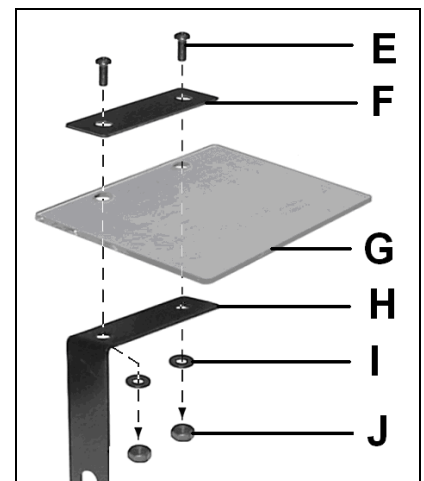


Fig 2

Montage des écrans de protection contre les étincelles et des regards:

Il y a un écran gauche et un droit, il faut bien en tenir compte lors du montage.

Fixer le regard et l'écran (M, Fig 3) avec une vis hexagonale (K) et une rondelle sur le carter du disque.

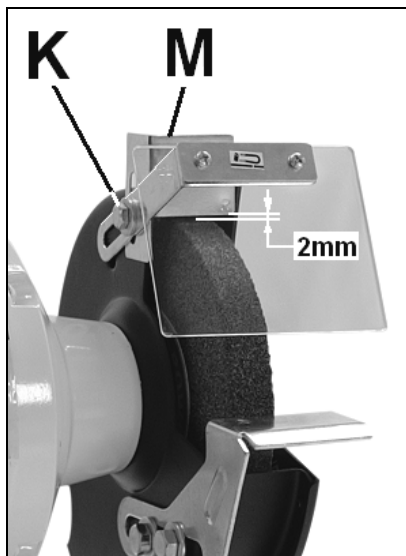


Fig 3

Positionner l'écran de protection à une distance maximale de 2 mm du disque abrasif.

Quand le disque s'use, il faut repositionner l'écran.

Montage de la ponceuse:

Afin que la machine ne bouge pas pendant le travail, il faut qu'elle soit vissée sur la surface où elle se trouve.

5.3 Raccordement au réseau électr.

Le raccordement ainsi que les rallonges utilisées doivent correspondre aux instructions.

Le voltage et la fréquence doivent être conformes aux données inscrites sur la machine.

Le fusible de secteur électrique doit avoir 10 A.

Utiliser pour le raccordement des câbles H07RN-F.

Tous travaux de branchement et de réparation sur l'installation électrique doivent être exécutés uniquement par un électricien qualifié.

5.4 Mise en exploitation

La machine est mise en route avec l'interrupteur vert.

La machine est arrêtée avec l'interrupteur rouge se trouvant sur la poignée.

Le bouton d'éclairage se trouve sur la lampe de la machine.

N'utiliser que des ampoules 230V de 40W au maximum.

6. Fonctionnement de la machine

La ponceuse double est conçue pour le ponçage manuel du métal, sans utilisation d'eau.

Le disque à grains moyens s'emploie pour éliminer rapidement de la matière.

Le disque à grains fins s'utilise par exemple pour affûter des outils et pour poncer sur mesure et en surface.

La pièce à poncer doit être maintenue sûrement et fermement pendant le travail.

Ne jamais poncer en tenant la pièce à main levée, il faut toujours l'appuyer sur le plan de travail.

Pour obtenir une surface de ponçage lisse, il faut appuyer légèrement la pièce contre le disque abrasif et la maintenir en mouvement.

Si la pression est trop forte, le moteur force et le disque s'use rapidement.

Essayer de maintenir l'angle de ponçage d'origine.

Le disque abrasif doit tourner contre la lame.

Immerger régulièrement la pièce dans un récipient d'eau prévu à cet effet, la surchauffe affaiblit la matière.

Quand le disque est usé ou émoussé, il faut l'affûter avec un outil d'affûtage adéquat (par ex: un diamant d'affûtage).

ATTENTION !

L'état de la machine doit être contrôlée avant chaque travail.

Ne travailler qu'avec des **disques** en parfait état!

N'autoriser personne à se tenir derrière la machine ou près de la pièce d'oeuvre, lieux où des déchets peuvent être éjectés.

Les étincelles provoquées par la travail peuvent engendrer des blessures ou provoquer l'inflammation de matériaux inflammables.

Toujours utiliser des lunettes de protection.

Toujours travailler avec un casque de protection acoustique.

Lors du travail en milieu poussiéreux, porter un masque anti-poussières.

Avant de commencer le ponçage, s'assurer que les carters de protection sont bien en place.

Positionner le plan de travail et l'écran de protection à une distance maximale de 2 mm du disque de ponçage.

Ne commencer le travail que lorsque le disque abrasif tourne à plein régime.

Ne pas travailler sur les cotés du disque abrasif, ceci conduirait à une surcharge du disque.

Ne pas arrêter le disque abrasif en utilisant de la pression latérale.

Ne jamais toucher les pièces travaillées avant qu'elles ne soient refroidies – dangers de brûlures!

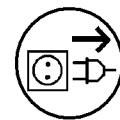
Pendant l'usinage, éloigner suffisamment les doigts de la zone de travail.

Ne jamais travailler des pièces trop petites.

Utiliser des rallonges de table pour le travail des pièces longues.

7. Réglages

7.1 Montage du disque



Avant de changer le disque abrasif, il faut absolument déconnecter la machine du réseau!

N'utiliser que des disques abrasifs tournant à 3000 T/min ou plus.

Le disque abrasif doit correspondre aux indications techniques mentionnées.

Contrôler le disque abrasif avant le montage (déchirure, déformation). Procéder au test acoustique.

Test acoustique :

Il est possible qu'une fêlure du disque ne soit pas décelable de l'extérieur.

Pendre le disque par une ficelle passée par le trou.

Avec un morceau de bois, taper sur le disque.

Si le disque abrasif est exempt de fêlure, il „résonne“ ; s'il est fêlé, il produit un bruit sourd.

Ne pas monter un disque qui ne „résonne“ pas.

Changement du disque abrasif: Avant le changement déconnecter la machine du réseau.

Eloigner le plan de travail (C, Fig 4) et l'écran protecteur, du disque abrasif.

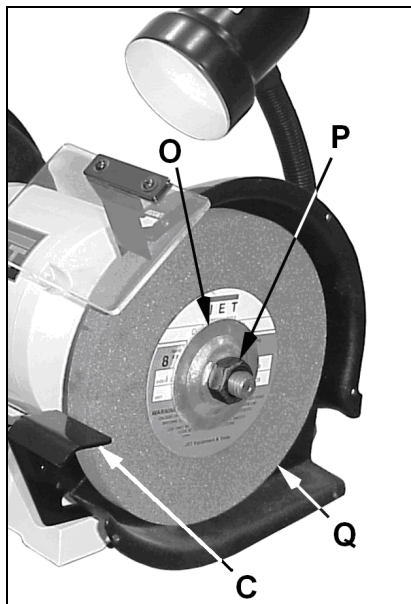


Fig 4

Retirer le carter de protection du disque.

Retirer l'écrou (P), la flasque de serrage (O) et le disque abrasif (Q).

Remarque:

Pour débloquer l'écrou du disque de droite, le faire tourner dans le sens inverse des aiguilles d'une montre. Débloquer l'écrou du disque de gauche en tournant dans le sens des aiguilles d'une montre (filetage à gauche).

Nettoyer la flasque de serrage.

Pour monter le nouveau disque abrasif, procéder en sens inverse.

Ne pas bloquer la vis trop fort, ceci pourrait casser le disque.

Remonter le carter du disque.

Remonter le plan de travail et l'écran de protection contre les étincelles à une distance maximale de 2 mm du disque abrasif.

Reconnecter la machine au réseau.

Avec la main, contrôler la bonne rotation du disque.

Faire tourner la machine et vérifier si le disque est en bon état. Pour vérifier un nouveau disque, faire tourner la ponceuse pendant 3 minutes

Attention:

Pour démarrer la machine, il faut toujours se tenir de côté.

7.2 Réglage de l'écran de protection

Lorsque le disque s'use, il faut repositionner l'écran de protection à une distance maximale de 2 mm du disque.

Pour ce réglage, desserrer la vis (K, Fig 5).

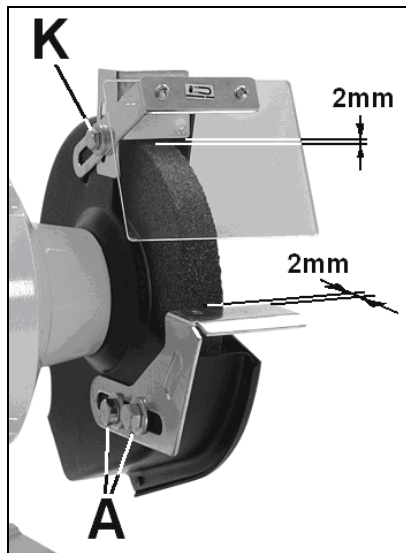


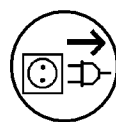
Fig 5

7.3 Réglage du plan de travail

Lorsque le disque s'use, il faut repositionner le plan de travail à une distance maximale de 2 mm du disque.

Pour ce réglage, desserrer la vis (A).

8. Entretien et inspection



Faire tous les travaux de maintenance, réglage ou nettoyage après avoir débranché la machine du réseau!

Avant tous travaux d'entretien, de nettoyage et de réparation, la machine doit être assurée contre la mise en route.

Retirer la prise!

Tous travaux de branchement et de réparation sur l'installation électrique doivent être exécutés uniquement par un électricien qualifié.

Remonter immédiatement tous les dispositifs de protection après tous les travaux d'entretien, de nettoyage et de réparation.

Remplacer immédiatement les dispositifs de protection endommagés.

Nettoyage:

Nettoyer régulièrement le carter au moyen d'un chiffon doux, de préférence à l'issue de chaque utilisation. Veiller à ce que les fentes d'aération soient exemptes de poussières et de saletés.

En présence de saletés tenaces, employer un chiffon doux humecté d'eau savonneuse.

Proscrire l'emploi de solvants comme l'essence, l'alcool, l'ammoniaque etc. car ces substances attaquent les pièces en plastiques.

9. Détecteur de pannes

Moteur ne se met pas en route

*Pas de courant-
Vérifier le voltage.

*Défaut au moteur, bouton ou câble-
Contacter un électricien qualifié.

Vibration violente de la machine

*La machine n'est pas sur un sol plat-
Repositionner la machine.

*Disque abrasif abîmé-
Remplacer immédiatement le disque abrasif.

Résultat de ponçage insuffisant

*Mauvais disque abrasif.

*Pièce inapte au travail

*Trop de pression sur le travail-
Ne jamais forcer sur le travail.

10. Protection de l'environnement

Protégez l'environnement !

Votre appareil comprend plusieurs matières premières différentes et recyclables. Pour éliminer l'appareil usagé, veuillez l'apporter dans un centre spécialisé de recyclage des appareils électriques.

11. Accessoires

Pour divers disques voir liste des prix JET.