

JET

JMD-3

Milling Drilling Center

50000050M...230/50-60/1

PARTS LIST

Walter Meier (Tool) AG

Tämperlistrasse 5

CH-8117 Fällanden

Switzerland

Phone +41 44 806 47 48

Fax +41 44 806 47 58

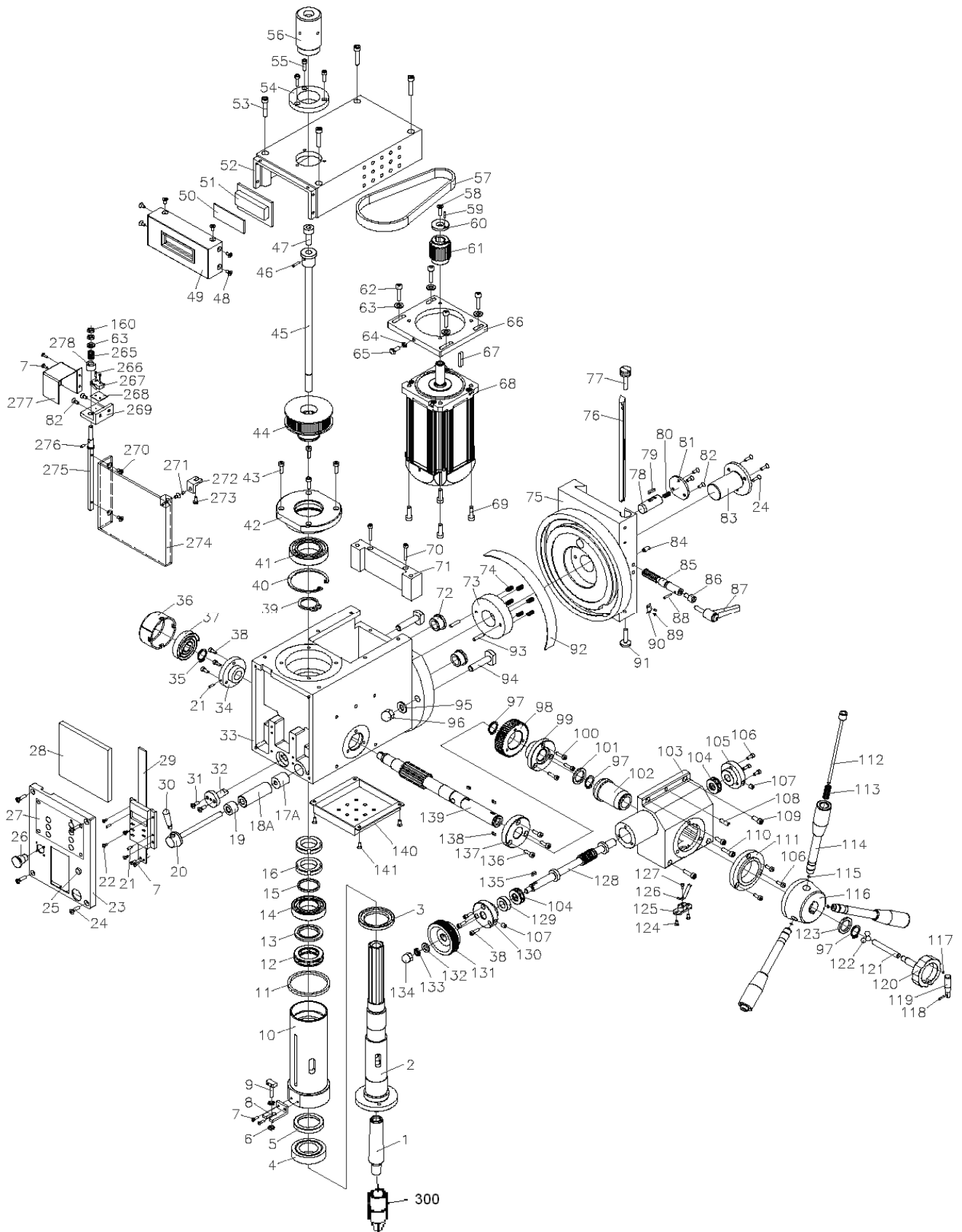
jetinfo.eu@waltermeier.com

www.jettools.com

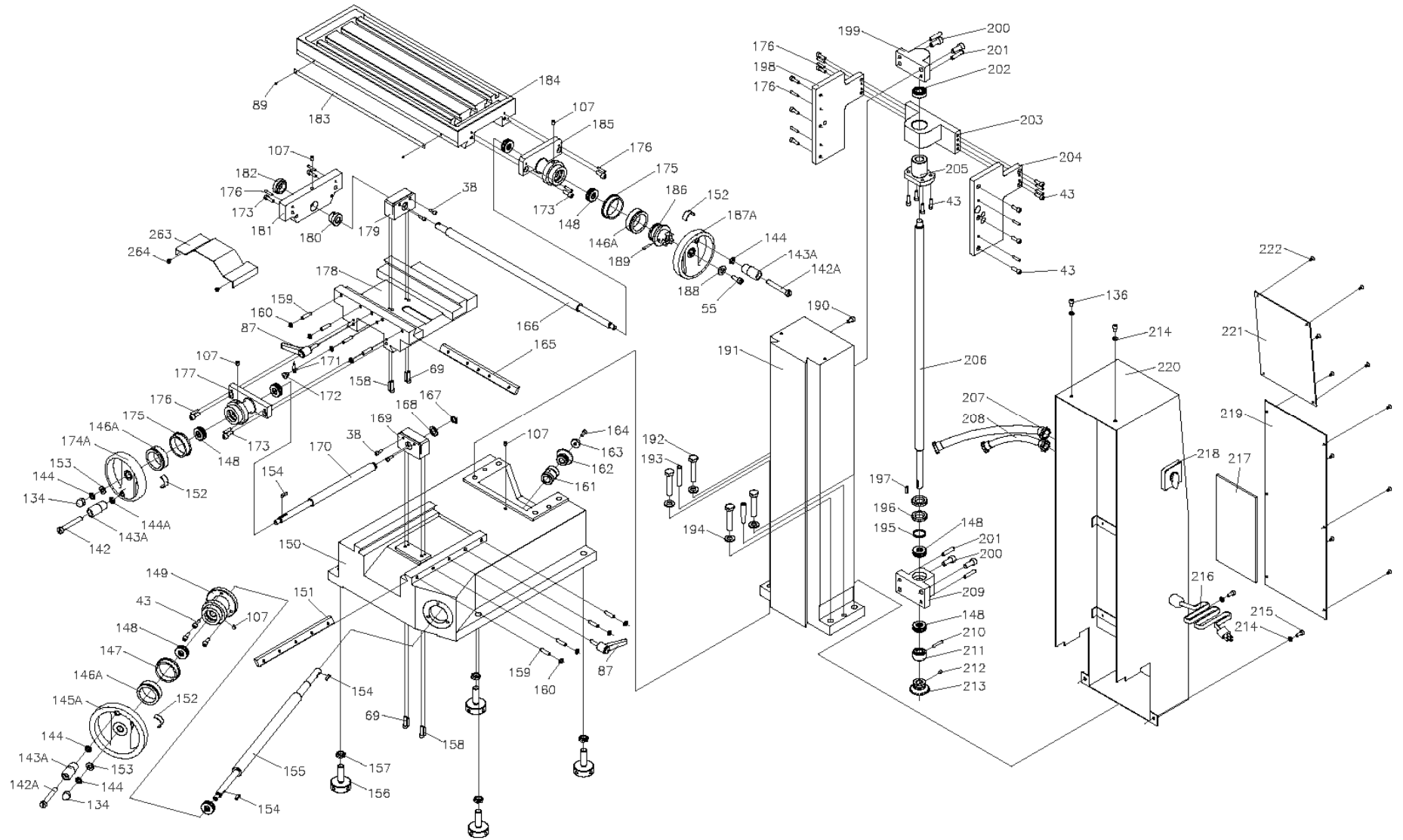


P-50000050M 2010/03/02

Parts Breakdown For JMD-3 Milling Drilling Center • I •



Parts Breakdown For JMD-3 Milling Drilling Center • II •



Parts List For JMD-3 Milling Drilling Center

Index no.	Part no.	Description	Size	Q'ty
1	JMD3-001	Taper shank B16/ MT3/ M12		1
2	JMD3-002	Spindle		1
3	JMD3-003	Under oil seal I		1
4	JMT3-004	Taper bearing	32907	1
5	JMD3-005	Under oil swal II		1
6	JMD-006	Nut	M5	2
7	JMD3-007	Screw	M3*8	6
8	JMD3-008	Display fixed bracket		1
9	JMD3-009	Square screw		1
10	JMD3-010	Spindle sleeve		1
11	JMD3-010	Sleeve limit pad		1
12	JMD3-012	Bearing	8106	1
13	JMD3-013	Upper washer II		1
14	JMD3-014	Bearing	8106	1
15	JMD3-015	Upper washer I		1
16	JMD3-016	Small round nut	M27*1.5	2
17A	JMD3-117A	Spindle sleeve brake sleeve II		1
18A	JMD3-018A	Spindle sleeve brake sleeve I		1
19	JMD3-019	Deep washer		1
20	JMD3-020	Lock bolt		1
21	JMD3-021	Spring round pin	3*8	3
22	JMD2-022	Screw	M3*8	4
23	JMD3-023	Switch panel		1
24	JMD3-024	Screw	M4*16	7
25	JMD3-025	Indicator light		1
26	JMD3-026	Emergency stop switch		1
27	JMD3-027	Touch panel		1
28	JMD3-028	PC Board_Control buttons (AP2)		1
29	JMD3-029	Electron display		1
30	JMD3-030	Small handle		1
31	JMD3-031	Screw	M3*10	2
32	JMD3-032	Spindle sleeve orientation shaft		1
33	JMD3-033	Spindle box		1
34	JMD3-034	Left support flange		1
35	JMD3-035	Check ring	16	1
36	JMD3-036	Check spring cover		1
37	JMD3-037	Clockwork spring		1
38	JMD3-038	Screw	M4*12	10
39	JMD3-039	Check ring	35	1
40	JMD3-040	Check ring	65	1
41	JMD3-041	Bearing	80107	1
42	JMD3-042	bearing seat		1

Parts List For JMD-3 Milling Drilling Center

Index no.	Part no.	Description	Size	Q'ty
43	JMD3-043	Screw	M5*16	21
44	JMD3-044	Synchronization pulley		1
45	JMD3-047	lock bolt M12		1
46	JMD3-048	Taper pin	3*18	1
47	JMD3-047	Screw	M10*16	1
48	JMD3-048	Screw	M4*6	6
49	JMD3-049	Cover		1
50	JMD3-050	Block piece		1
51	JMD3-051	Rotate speed display (oooo)		1
52	JMD3-052	Spindle box cover		1
53	JMD3-053	Screw	M6*40	4
54	JMD3-054	Dustproof cover I for spindle		1
55	JMD3-055	Screw	M4*10	4
56	JMD3-056	Dustproof cover II for spindle		1
57	JMD3-057	Timing belt		1
58	JMD3-058	Screw	M6*16	1
59	JMD3-059	Pin	3*10	1
60	JMD3-060	Washer		1
61	JMD3-061	Motor timing pulley		1
62	JMD3-062	Screw	M6*20	4
63	JMD3-063	Washer	6	5
64	JMD3-064	Nut	M5	1
65	JMD3-065	Bolt	M5*25	1
66	JMD3-066	Motor support plate		1
67	JMD3-067	Key	5*25	1
68	JMD3-068	brushless motor		1
69	JMD3-069	Screw	M5*20	8
70	JMD3-070	Screw	M4*35	2
71	JMD3-071	Spindle box paneling		1
72	JMD3-072	Orientation steel sleeve		2
73	JMD3-073	Rub circle		1
74	JMD3-074	Compress spring	1*6*20	6
75	JMD3-075	Vertical slide		1
76	JMD3-076	Tilted wedge		1
77	JMD3-077	Adjusting screw		1
78	JMD3-078	orientation small gear shaft		1
79	JMD3-079	key	4*12	1
80	JMD3-080	Compress spring	0.7*4.7*2.5	1
81	JMD3-081	Cover board		1
82	JMD3-082	Screw	M4*10	5
83	JMD3-083	Center orientation shaft		1
84	JMD3-084	Screw	M6*8	1
85	JMD3-085	Small gear shaft		1

Parts List For JMD-3 Milling Drilling Center

Index no.	Part no.	Description	Size	Q'ty
86	JMD3-086	Inlay shaft		1
87	JMD3-087	Small handle assembly		3
88	JMD3-088	Taper pin	3*10	1
89	JMD3-089	Scutcheon rivet		4
90	JMD3-090	indication brand		1
91	JMD3-091	Adjust screw		1
92	JMD3-092	Staff gauge		1
93	JMD3-093	Pin	5*20	2
94	JMD3-094	T screw		2
95	JMD3-095	Washer	10	2
96	JMD3-096	T screw		2
97	JMD3-097	Check ring	20	3
98	JMD3-098	Tilted gear		1
99	JMD3-099	Fastness sleeve		1
100	JMD3-100	Screw	M4*16	3
101	JMD3-101	Washer I		1
102	JMD3-102	Guide electricity assembly		1
103	JMD3-103	Worm support box		1
104	JMD3-104	Bearing	8101	2
105	JMD3-105	Worm right support flange		1
106	JMD3-106	Screw	M4*10	6
107	JMD3-107	Cup oil	6	7
108	JMD3-108	Screw	6*20	1
109	JMD3-109	Screw	M5*16	2
110	JMD3-110	Screw	M5*20	2
111	JMD3-111	Right support flange II		1
112	JMD3-112	Joy stick		3
113	JMD3-113	Compress	0.7*6*25	3
114	JMD3-114	Handle assembly		3
115	JMD3-115	Check ring	4	3
116	JMD3-116	Big handle seat		1
117	JMD3-117	Small magnetism block		1
118	JMD3-118	Pin	3*14	1
119	JMD3-119	Assistant small handle		1
120	JMD3-120	Worm wheel lock handle		1
121	JMD3-121	lock small shaft		1
122	JMD3-122	Steel ball	8	3
123	JMD3-123	Adjust mat		1
124	JMD3-124	Screw	M3*6	2
125	JMD3-125	Touch fastness fight		1
126	JMD3-126	Guide electricity bar		1
127	JMD3-127	Screw	M3*6	1

Parts List For JMD-3 Milling Drilling Center

Index no.	Part no.	Description	Size	Q'ty
128	JMD3-128	Worm		1
129	JMD3-129	Worm adjust mat		1
130	JMD3-130	Worm left support flange		1
131	JMD3-131	Worm hand wheel		1
132	JMD3-132	Washer	8	1
133	JMD3-133	Nut	M8	1
134	JMD3-134	Cup nut	M8	3
135	JMD3-135	Key	4*10	1
136	JMD3-136	Screw	M5*12	5
137	JMD3-137	Right support flange I		1
138	JMD3-138	Key	6*8	3
139	JMD3-139	Gear shaft		1
140	JMD3-140	Spindle box below cover		1
141	JMD3-141	Screw	M4*10	4
142A	JMD3-142	Screw	M8*55	3
143A	JMD3-143	Handle sleeve		3
144	JMD3-144	Nut	M8	5
145A	JMD3-145	Handle wheel		1
146A	JMD3-146	Dial		3
147	JMD3-147	Inlay circle		1
148	JMD3-148	Bearing	51101	8
149	JMD3-149	Support flange		1
150	JMD3-150	Base		1
151	JMD3-151	Cross wedge		1
152	JMD3-152	Reed		3
153	JMD3-153	Washer	8	2
154	JMD3-154	Key	4*16	3
155	JMD3-155	Rotate shaft		1
156	JMD3-156	Adjust bolt		1
157	JMD3-157	Nut	M12	4
158	JMD3-158	Taper pin	3*20	4
159	JMD3-159	Screw	M6*25	8
160	JMD3-160	Nut	M6	10
161	JMD3-161	Shaft sleeve		1
162	JMD3-162	Taper gear		1
163	JMD3-163	Washer		1
164	JMD3-164	Screw	M5*14	1
165	JMD3-165	Portrait wedge		1
166	JMD3-166	Portrait leadscrew		1
167	JMD3-167	Check ring	12	1
168	JMD3-168	Washer		1
169	JMD3-169	Cross leadscrew nut		1
170	JMD3-170	Cross leadscrew		1

Parts List For JMD-3 Milling Drilling Center

Index no.	Part no.	Description	Size	Q'ty
171	JMD3-171	Finger		1
172	JMD3-172	Screw	M6*6	1
173	JMD3-173	Screw	M6*16	6
174A	JMD3-174	Handwheel		1
175	JMD3-175	Inlay circle		2
176	JMD3-176	Taper pin	4*20	14
177	JMD3-177	Bearing Seat		1
179	JMD3-179	Portrait leadscrew nut		1
180	JMD3-180	left bearing sleeve		1
181	JMD3-181	Left support		1
182	JMD3-182	Left support stop up		1
183	JMD3-183	Staff guage		1
184	JMD3-184	Work table		1
185	JMD3-185	Portrait leadscrew bearing seat		1
186	JMD3-186	Leadscrew clutch		1
187A	JMD3-187	Handwheel		1
188	JMD3-188	Washer		1
189	JMD3-189	Pin	4*28	1
190	JMD3-190	Screw	M6*10	1
191	JMD3-191	Verticality lead rail		1
192	JMD3-192	Bolt	M10*50	4
193	JMD3-193	Taper pin	6*40	2
194	JMD3-194	Washer	10	4
195	JMD3-195	Washer		1
196	JMD3-196	Small round nut	M16*1.5	2
197	JMD3-197	Key	4*20	1
198	JMD3-198	Side support plate II		1
199	JMD3-199	Upper bearing seat		1
200	JMD3-200	Screw	M8*20	4
201	JMD3-201	Taper pin	6*30	4
202	JMD3-202	Bearing	80101	1
203	JMD3-203	Support fight		1
204	JMD3-204	Side support plate I		1
205	JMD3-205	Verticality leadscrew nut		1
206	JMD3-206	Verticality leadscrew		1
207	JMD3-207	Tube connecter		4
208	JMD3-208	Tube		2
209	JMD3-209	Below bearing seat		1
210	JMD3-210	Taper pin	4*26	1
211	JMD3-211	Limit sleeve		1
212	JMD3-212	Set screw	M5*8	1
213	JMD3-213	Taper gear II		1
214	JMD3-214	Washer	5	4

Parts List For JMD-3 Milling Drilling Center

Index no.	Part no.	Description	Size	Q'ty
215	JMD3-215	Screw	M5*8	2
216	JMD3-216	Power line		1
217	JMD3-217	PC Main Circuit Board (AP1)		1
	JMD3-217-1	EMI-Filter (not shown)		1
218	JMD3-218	Power switch		1
219	JMD3-219	Cover II		1
220	JMD3-220	Back cover		1
221	JMD3-221	Cover II		1
222	JMD3-222	Screw	M4*5	10
263	JMD3-263	Protect cover		1
264	JMD3-264	Screw	M4*5	2
265	JMD3-265	Compress spring	1.4*8.2*24	1
266	JMD3-266	Screw	M2*10	2
267	JMD3-267	Micro switch		1
268	JMD3-268	Insulated washer		1
269	JMD3-269	Support plate		1
270	JMD3-270	Screw	M4*8	3
271	JMD3-271	Magnet block		1
272	JMD3-272	keep off block		1
273	JMD3-273	Screw	M4*10	1
274	JMD3-274	Protect cover		1
275	JMD3-275	Rotate shaft		1
276	JMD3-276	Round pin	3*8	1
277	JMD3-277	Cover		1
278	JMD3-278	Spacer		1
300	JMD3-300	Keyless Chuck 1-13mm	B16	1

JMD-3.....5000050M

230V/ 50-60Hz / 1

