

# JET

**JMD-45PF**  
**JMD-45PFD**

**Milling Drilling Center**

**JMD-45PF-T.....50000400T...3~400V, 50Hz**

**JMD-45PFD-T...50000401T...3~400V, 50Hz**

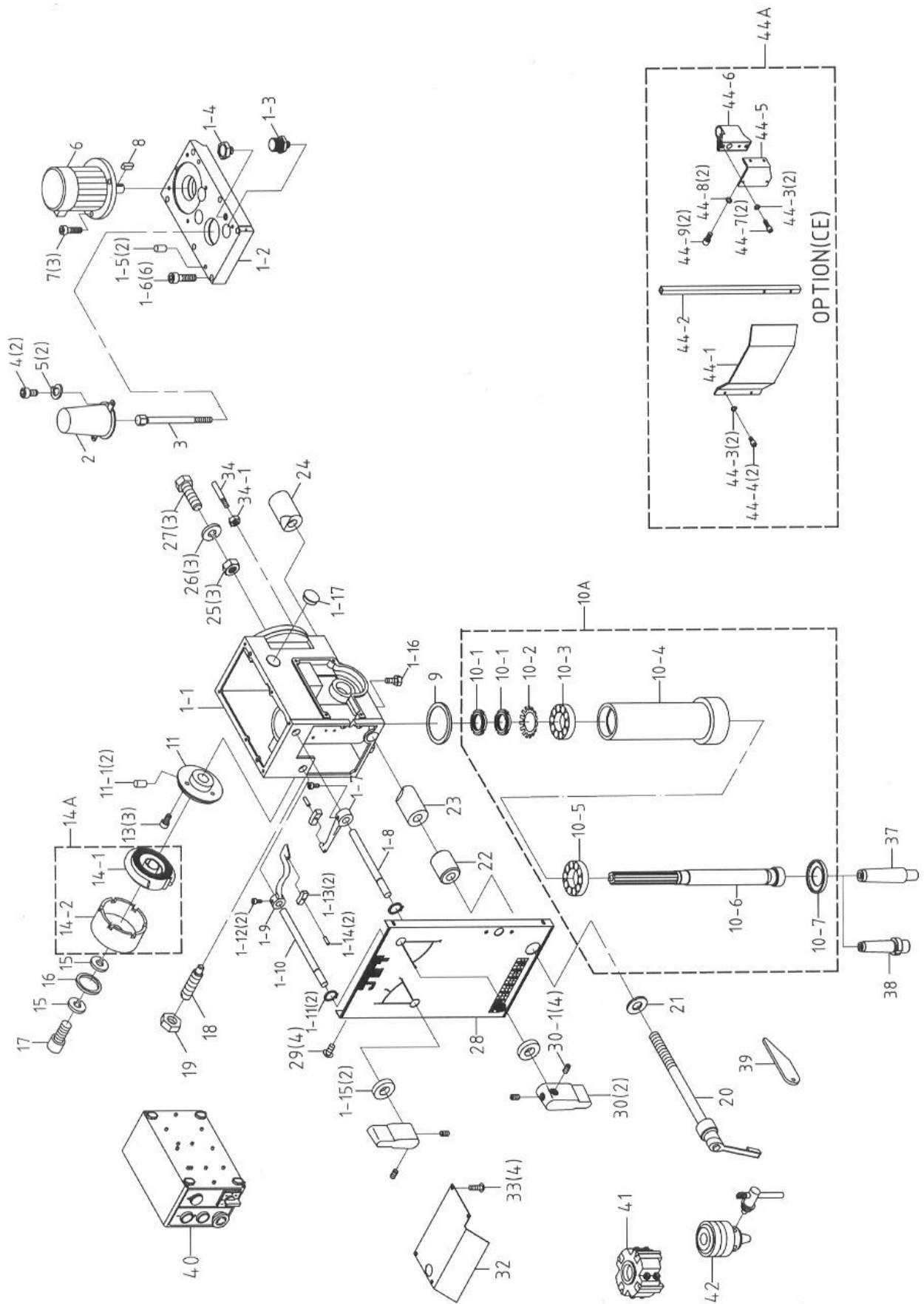
## **PARTS LIST**

**Walter Meier (Tool) AG**  
Tämperlistrasse 5  
CH-8117 Fällanden  
Switzerland  
Phone +41 44 806 47 48  
Fax +41 44 806 47 58  
[jetinfo.eu@waltermeier.com](mailto:jetinfo.eu@waltermeier.com)  
[www.jettools.com](http://www.jettools.com)

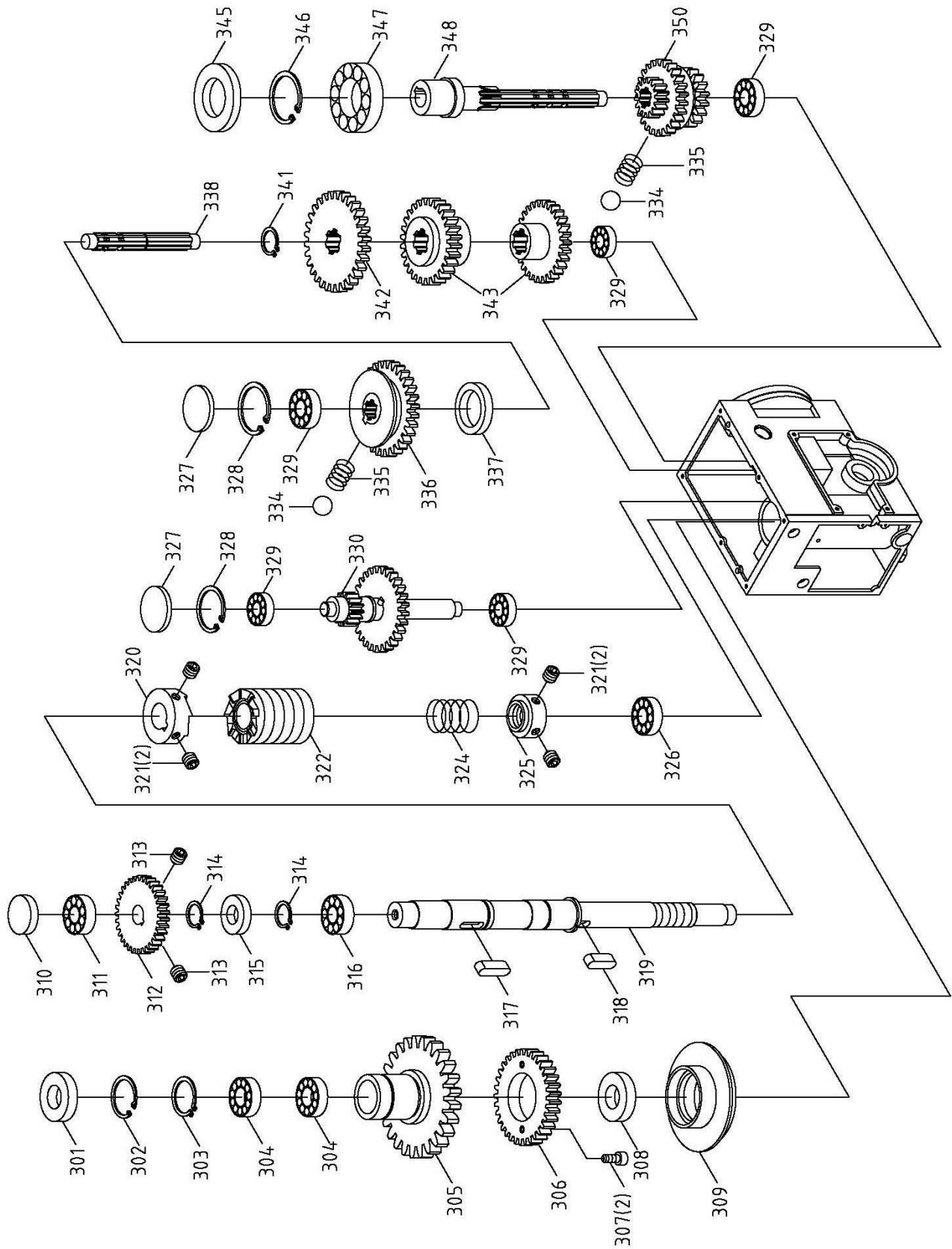


P-50000400T / 50000401T 2011-03

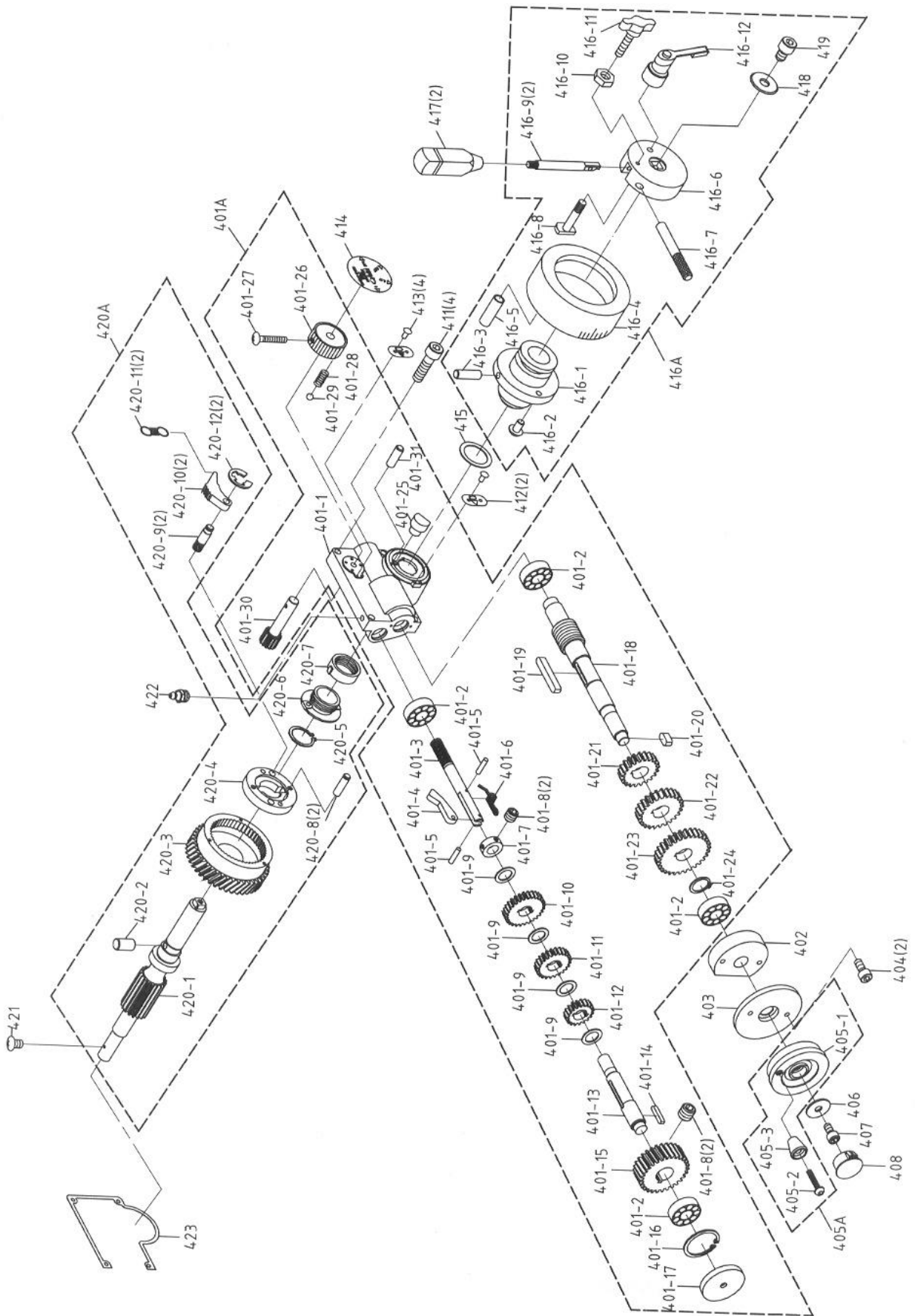
# Breakdown for the JMD- 45PF/JMD-45PFD Gear Head Milling Machine Transmission Assembly



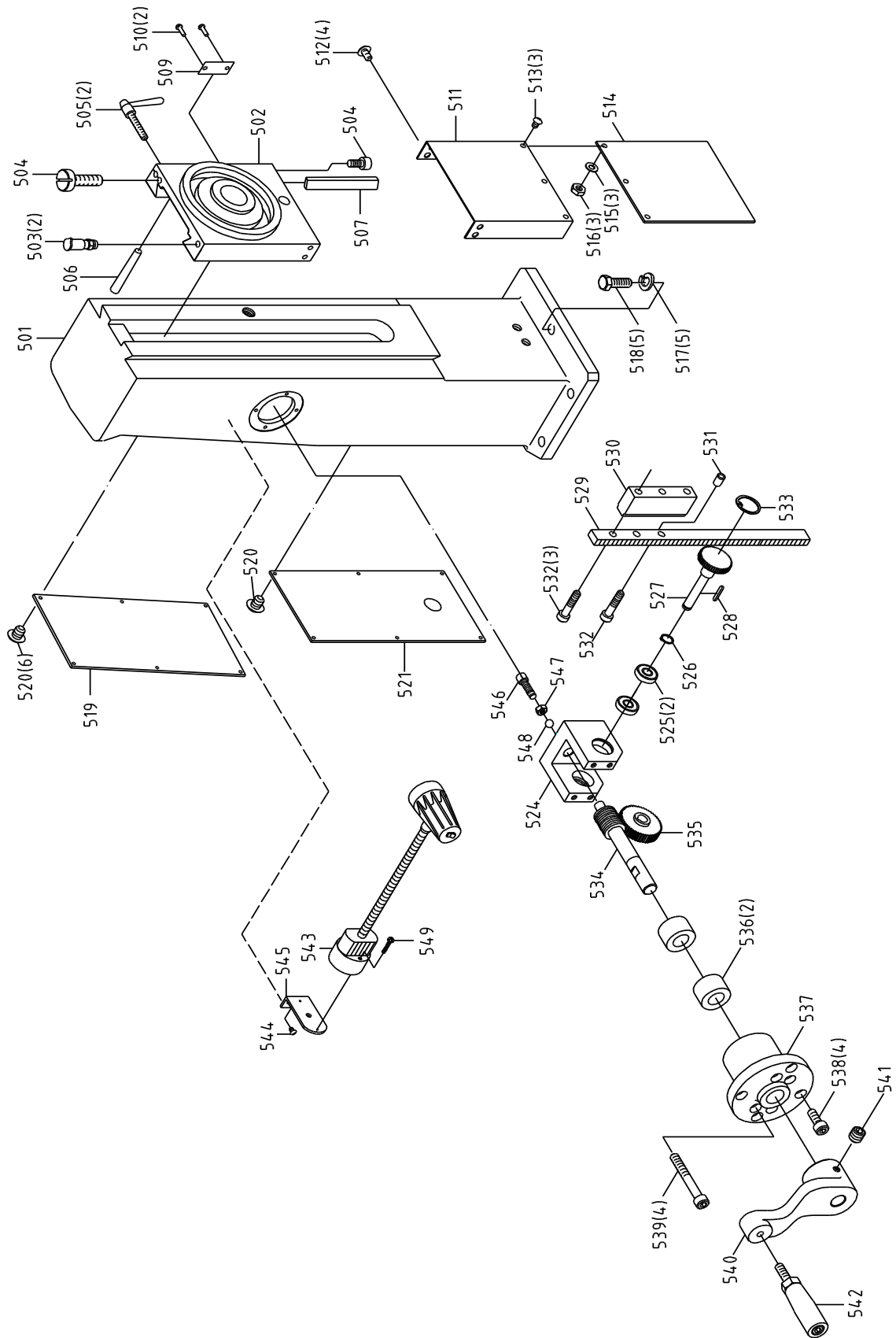
## Breakdown for the JMD- 45PF/JMD-45PFD Gear Head Milling Machine Head Assembly



# Breakdown for the JMD- 45PF/JMD-45PFD Gear Head Milling Machine Head Assembly



## Breakdown for the JMD- 45PF/JMD-45PFD Gear Head Milling Machine Column Assembly



**Parts List for the JMD- 45PF/JMD-45PFD Gear Head Milling Machine  
Transmission, Head and Column Assembly**

<b>Index No.</b>	<b>Part No.</b>	<b>Description</b>	<b>Size</b>	<b>Qty.</b>
1A	JMD45PF-001	Head Body Set		1
1-1	JMD45PF-001-1	Head Body		1
1-2	JMD45PF-001-2	Head Body Cover		1
1-3	JMD45PF-001-3	Vent Plug		1
1-4	JMD45PF-001-4	Hex Socket Plug		1
1-5	JMD45PF-001-5	Miter Pin	ø 3/8"x2"L	2
1-6	JMD45PF-001-6	Hex. Socket Head Screw	3/8"-16UNC	6
1-7	JMD45PF-001-7	Gear Lever		1
1-8	JMD45PF-001-8	Lever Shaft		1
1-9	JMD45PF-001-9	Gear Lever		1
1-10	JMD45PF-001-10	Lever Shaft		1
1-11	JMD45PF-001-11	C-Retainer Ring		2
1-12	JMD45PF-001-12	Cross Round Head Screw	1/4"-20UNC	2
1-13	JMD45PF-001-13	Gear Lever Bracket		2
1-14	JMD45PF-001-14	Pin	ø 4x16	2
1-15	JMD45PF-001-15	Oil Seal	ø 12x ø 22x7t	2
1-16	JMD45PF-001-16	Hex Socket Plug	1/4"	1
1-17	JMD45PF-001-17	Fluid Lever Indicator	ø29	1
2	JMD45PF-002	Main Shaft Cover		1
3	JMD45PF-003E	Draw bar ISO-30	M12	1
4	JMD45PF-004	Hex. Socket Head Screw	M4x0.7Px6	2
5	JMD45PF-005	Spring Washer	M4	2
6	JMD45PF -M252C	Motor	400V/3ph/1-1/2Hp	1
7	JMD45PF-007	Hex. Socket Head Screw	3/8"-16UNC	3
8	JMD45PF-008	Key	6x6x30	1
9	JMD45PF-009	Rubber Flange		1
10A	JMD45PF-010E	Pinion Assembly	ISO-30	1
10-1	JMD45PF-010-1	Locknuts		2
10-2	JMD45PF-010-2	Washer	ø30	1
10-3	JMD45PF-010-3	Taper Roller Bearing		1
10-4	JMD45PF-010-4	Rack Sleeve	ISO-30	1
10-5	JMD45PF-010-5	Taper Roller Bearing		1
10-6	JMD45PF-010-6E	Spindle Shaft	ISO-30	1
10-7	JMD45PF-010-7E	Bearing Cap		1
11	JMD45PF-011	Spring Base		1
11-1	JMD45PF-011-1	Pin	ø 3x12	2
13	JMD45PF-013	Cross Round Head Screw		3
14A	JMD45PF-014	Taper Roller Bearing		1
14-1	JMD45PF-014-1	Spring		1
14-2	JMD45PF-014-2	Spring Cover		1
15	JMD45PF-015	Spring Washer	1/4"x1"x1.5t	2
16	TS-0680021	Washer	1/4"	1
17	JMD45PF-017	Hex. Socket Head Screw	1/4"x5/8	1
18	JMD45PF-018	Screw Key	3/8"-16UNC	1
19	TS-0561031	Hex. Nut	3/8"	1
20	JMD45PF-020	Handle Rod		1
21	JMD45PF-021	Washer	1/2"x7/8"x2t	1
22	JMD45PF-022	Fixed Tight Collar		1
23	JMD45PF-023	Fixed Tight Collar		1

Index No.	Part No.	Description	Size	Qty.
24.....	JMD45PF-024	Fixed Tight Collar		1
25.....	JMD45PF-025	Nut	5/8"-11UNC	3
26.....	TS-0680081	Washer	5/8"	3
27.....	JMD45PF-027	Fixed Bolt		3
28.....	JMD45PF-028	Name Plate		1
29.....	JMD45PF-029	Cross Round Head Screw	3/16"-24UNC	4
30.....	JMD45PF-030	Speed Lever		2
30-1 ...	JMD45PF-030-1	Socket Set Screw	5/16"x5/16"	4
32.....	JMD45PF-032	Dust Plate		1
33.....	JMD45PF-033	Cross Round Head Screw	3/16"-24UNC	4
34.....	JMD45PF-034	Miter Pin	M6x $\varnothing$ 7	1
34-1 ...	JMD45PF-034-1	Hexagon Nut	M6	1
37.....	JMD45PF-037E	Chuck Arbor ISO-30	M12xP1.75	1
38.....	JMD45PF-038E	Cutter Arbor ISO-30	M12xP1.75	1
40.....	JMD45PF-040	Switch		1
41.....	JMD18-086E	Milling Cutter	$\varnothing$ 22	1
42.....	JMD18-113E	Chuck	B-16	1
44A ....	JMD45PF-044	Chuck Guard Assembly		1
44-1 ...	JMD45PF-044-1	Chuck Guard		1
44-2 ...	JMD45PF-044--	Chuck Guard Supporting Rod		1
44-3 ...	JMD45PF-044-3	Spring Washer	M5	4
44-4 ...	JMD45PF-044-4	Hex. Socket Head Screw	M5x10	2
44-5 ...	JMD45PF-044-5	Chuck Guard Bracket		1
44-6 ...	JMD45PF-044-6	Rotary Supporting Base		1
44-7 ...	JMD45PF-044-7	Hex. Socket Head Screw	M5x15L	2
44-8 ...	JMD45PF-044-8	Spring Washer	M6	2
44-9 ...	JMD45PF-044-9	Hex. Socket Head Screw	M6x15L	2
301 ...	JMD45PF-301	Oil Seal	$\varnothing$ 40x $\varnothing$ 68x8t	1
302 ...	JMD45PF-303	C-Retainer Ring	R68	1
303 ...	JMD45PF-304	C-Retainer Ring	S40	1
304 ...	BB-6008Z	Ball Bearing	6008ZZ	2
305 ...	JMD45PF-306	Gear		1
306 ...	JMD45PF-306	Gear		1
307 ...	JMD45PF-307	Hex. Socket Head Screw	M5x12	2
308 ...	JMD45PF-308	Oil Sea	$\varnothing$ 35x $\varnothing$ 45x8t	1
309 ...	JMD45PF-309	Oil Seal Ring		1
310 ...	JMD45PF-310	Dust Cover	$\varnothing$ 35	1
311 ...	BB-620ZZ	Ball Bearing	620ZZ	1
312 ...	JMD45PF-312	Gear		1
313 ...	JMD45PF-313	Socket Set Screw	M6x6	2
314 ...	JMD45PF-314	C-Retainer ring	S17	2
315 ...	JMD45PF-315	Oil Seal	$\varnothing$ 17x $\varnothing$ 35x8t	1
316 ...	BB-6003ZZ	Ball Bearing	6003ZZ	1
317 ...	JMD45PF-317	Key	5x5x16	1
318 ...	JMD45PF-318	Key	5x5x10	1
319 ...	JMD45PF-319	Transmission Worm		1
320 ...	JMD45PF-320	Clutch Block		1
321 ...	JMD45PF-321	Socket Set Screw	M5x5	4
322 ...	JMD45PF-322	Worm Shaft		1
324 ...	JMD45PF-324	Spring		1
325 ...	JMD45PF-325	Nut		1
326 ...	BB-6001Z	Ball Bearing	6001ZZ	1
327 ...	JMD45PF-327	Dust Cover	$\varnothing$ 35	2

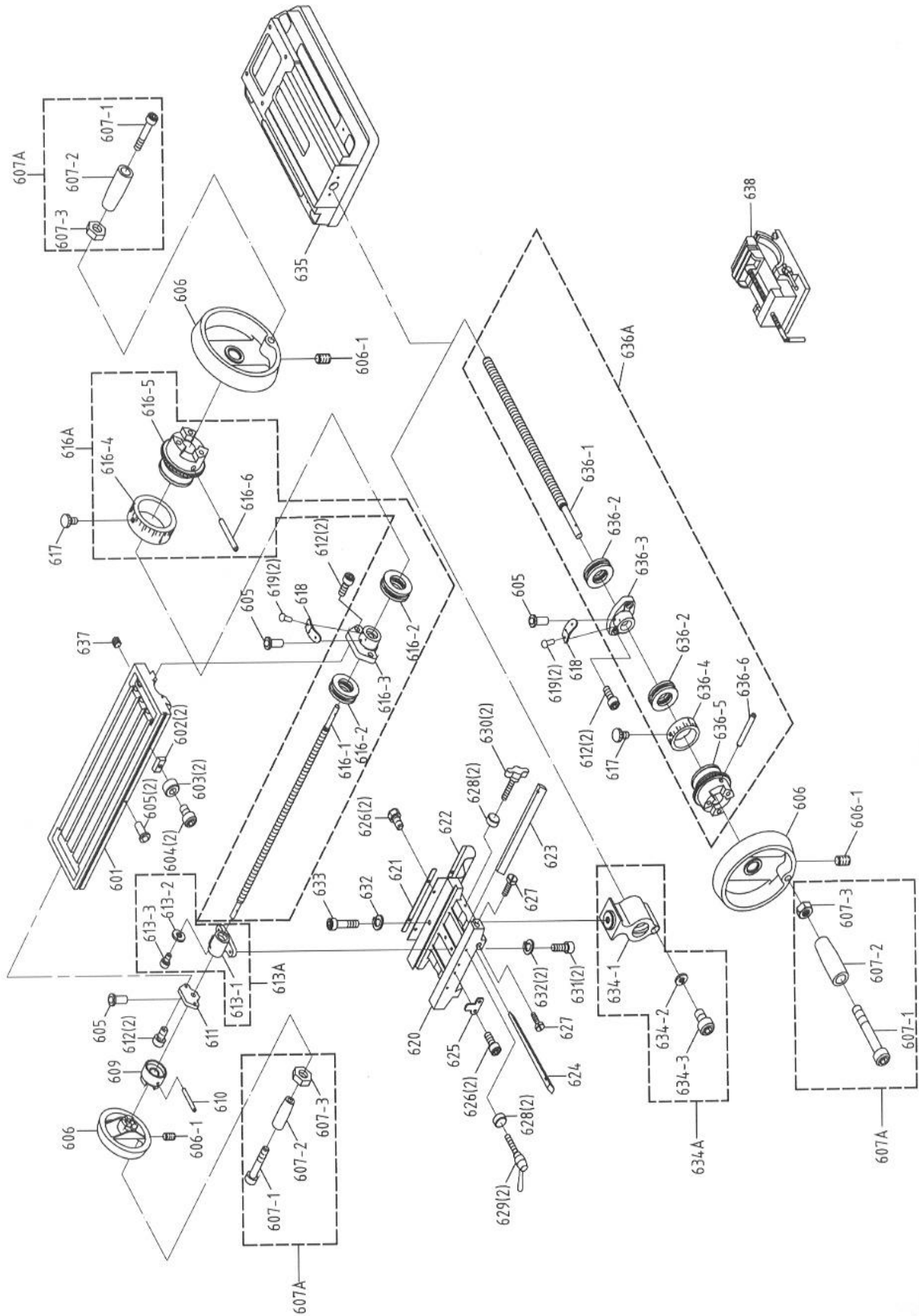
Index No.	Part No.	Description	Size	Qty.
328	JMD45PF-328	C-Retainer ring	R35	2
329	BB-6002Z	Ball Bearing	6002ZZ	5
330	JMD45PF-330	Gear Shaft w/ Gear		1
333	JMD45PF-333	C-Retainer Ring	S22	1
334	JMD45PF-334	Steel Ball	ø 5/16"	3
335	JMD45PF-335	Spring	ø 0.8x7	3
336	JMD45PF-336	Gear Set		1
337	JMD45PF-337	Bushing		1
338	JMD45PF-338	Gear Shaft		1
341	JMD45PF-341	C-Retainer Ring	S18	1
342	JMD45PF-342	Gear		1
343	JMD45PF-343	Gear		1
345	JMD45PF-345	Oil Seal	ø 35x ø 62x8t	1
346	JMD45PF-346	C-Retainer Ring	R62	1
347	BB-6007Z	Ball Bearing	6007ZZ	1
348	JMD45PF-348	Gear Shaft		1
349	JMD45PF-349	Key	5x5x80	1
350	JMD45PF-350	Gear Set		1
401A	JMD45PF-401	Gear Box Assembly		1
401-1	JMD45PF-401-1	Gear Box		1
401-2	BB-6003Z	Bearing	6003ZZ	4
401-3	JMD45PF-401-3	Change Gear Lever		1
401-4	JMD45PF-401-4	Speed-Changing Key		1
401-5	JMD45PF-401-5	Pin	ø 3x10	2
401-6	JMD45PF-401-6	Twisted Spring		1
401-7	JMD45PF-401-7	Bushing Bracket		1
401-8	JMD45PF-401-8	Socket Set Screw	M6x6	4
401-9	JMD45PF-401-9	Bushing		4
401-10	JMD45PF-401-10	Gear	ø27	1
401-11	JMD45PF-401-11	Gear		1
401-12	JMD45PF-401-12	Gear		1
401-13	JMD45PF-401-13	Worm Shaft		1
401-14	JMD45PF-401-14	Key	5x5x28	1
401-15	JMD45PF-401-15	Worm Gear		1
401-16	JMD45PF-401-16	C-Retainer ring	R35	1
401-17	JMD45PF-401-17	Cover		1
401-18	JMD45PF-401-18	Transmission Worm Shaft		1
401-19	JMD45PF-401-19	Key	5x5x32	1
401-20	JMD45PF-401-20	Key	4x4x10	1
401-21	JMD45PF-401-21	Gear		1
401-22	JMD45PF-401-22	Gear		1
401-23	JMD45PF-401-23	Gear		1
401-24	JMD45PF-401-24	C-Retainer ring	S19	1
401-25	JMD45PF-401-25	Release Block		1
401-26	JMD45PF-401-26	Speed Lever		1
401-27	JMD45PF-401-27	Cross Round Head Screw	M4x0.7x25	1
401-28	JMD45PF-401-28	Spring		1
401-29	JMD45PF-401-29	Steel Ball	5/16"	1
401-30	JMD45PF-401-30	Gear Shaft		1
401-31	JMD45PF-401-31	Pin		1
402	JMD45PF-402	Bearing Spacer		1



Index No.	Part No.	Description	Size	Qty
403.....	JMD45PF-403 .....	Graduated Bottom Plate.....		1
404.....	JMD45PF-404 .....	Hex. Socket Head Screw .....	M5x30 .....	2
405A ..	JMD45PF-405 .....	Handwheel Assembly.....		1
405-1 ..	JMD45PF-405-1 .....	Wheel .....		1
405-2 ..	JMD45PF-405-2 .....	Screw .....	5/16" .....	1
405-3 ..	JMD45PF-405-3 .....	Knob .....		1
406.....	JMD45PF-406 .....	Washer .....	M6 .....	1
407.....	JMD45PF-407 .....	Hex. Socket Head Screw .....	M6x12 .....	1
408.....	JMD45PF-408 .....	Plug .....	7/8" .....	1
411.....	JMD45PF-411 .....	Hex. Socket Head Screw .....	5/16"x1-1/4" .....	4
412.....	JMD45PF-412 .....	Scale .....		2
413.....	JMD45PF-413 .....	Rivet .....	ø 2x4 .....	4
414.....	JMD45PF-414 .....	Speed Scale .....		1
415.....	JMD45PF-415 .....	Washer .....		1
416A ..	JMD45PF-416 .....	Clutch Bushing Set.....		1
416-1 ..	JMD45PF-416-1 .....	Clutch Bushing .....		1
416-2 ..	JMD45PF-416-2 .....	Bushing Stop .....		1
416-3 ..	JMD45PF-416-3 .....	Bushing Pin .....		1
416-4 ..	JMD45PF-416-4 .....	Scale Base .....		1
416-5 ..	JMD45PF-416-5 .....	Pin .....	ø 5 .....	1
416-6 ..	JMD45PF-416-6 .....	Handle Body.....		1
416-7 ..	JMD45PF-416-7 .....	Handle Rod Pin .....		2
416-8 ..	JMD45PF-416-8 .....	Scale Base Set Screw.....		1
416-9 ..	JMD45PF-416-9 .....	Knob W/Shaft.....		2
416-10..	TS-0561021 .....	Hex. Nut .....	5/16" .....	1
416-11	JMD45PF-416-11 .....	T Screw .....	5/16"x3/4" .....	1
416-12	JMD45PF-416-12 .....	Graduated Base Fixed Grip .....		1
417.....	JMD45PF-417 .....	Plastic Round Knob.....		2
418.....	JMD45PF-418 .....	Washer .....	M8x23x2t .....	1
419.....	JMD45PF-419 .....	Hex. Socket Head Screw .....	M8x12 .....	1
420A ..	JMD45PF-420 .....	Pinion Shaft Set .....		1
420-1 ..	JMD45PF-420-1 .....	Pinion Shaft.....		1
420-2 ..	JMD45PF-420-2 .....	Key .....		2
420-3 ..	JMD45PF-420-3 .....	Worm Gear.....		1
420-4 ..	JMD45PF-420-4 .....	Clutch Key Base.....		1
420-5 ..	JMD45PF-420-5 .....	C-Retainer ring.....	S25.....	1
420-6 ..	JMD45PF-420-6 .....	Clutch Screw .....		1
420-7 ..	JMD45PF-420-7 .....	Clutch Nut.....		1
420-8 ..	JMD45PF-420-8 .....	Spring Pin.....		2
420-9 ..	JMD45PF-420-9 .....	Clutch Key Pin.....		2
420-10	JMD45PF-420-10 .....	Clutch Key .....		2
420-11	JMD45PF-420-11 .....	Spring .....		2
420-12	JMD45PF-420-12 .....	E-Ring .....		2
421.....	JMD45PF-421 .....	Flat Cross Head Screw .....	3/16"x3/8" .....	1
422.....	JMD45PF-422 .....	Oil Nozzle .....	1/8" .....	1
423.....	JMD45PF-423 .....	Rubber Plate .....		1
501.....	JMD45PF-501 .....	Vertical Square Column .....		1
502.....	JMD45PF-502 .....	Headstock Swivel Base.....		1
503.....	JMD45PF-504 .....	Oil Seal.....	1/8" .....	2
504.....	JMD45PF-504 .....	Gib Strip Bolt .....		2
505.....	JMD45PF-505 .....	Grip.....		2
506.....	JMD45PF-506 .....	Miter Pin .....	M6x50 .....	1
507.....	JMD45PF-509 .....	Gib Strip .....		1
509.....	JMD45PF-509 .....	Plate .....		1
510.....	JMD45PF-510 .....	Rivet .....	ø 2.5 .....	2
511.....	JMD45PF-511 .....	Anti-dust Plate.....		1

Index No.	Part No.	Description	Size	Qty
512.....	JMD45PF-512	Cross Round Head Screw.....	M5x10 .....	4
513.....	JMD45PF-513	Cross Round Head Screw.....	M5x6 .....	3
514.....	JMD45PF-514	Anti-dust Plate .....		1
515.....	JMD45PF-515	Washer .....	M5 .....	3
516.....	JMD45PF-516	Hex. Nut .....	M5 .....	3
517.....	JMD45PF-517	Spring Washer .....	M20 .....	5
518.....	JMD45PF-518	Hex. Head Screw .....	M20x60 .....	5
519.....	JMD45PF-519	Steel Plate .....		1
520.....	JMD45PF-520	Cross Round Head Screw.....	M5x10 .....	12
521.....	JMD45PF-521	Steel Plate .....		1
524.....	JMD45PF-524	Bracket .....		1
525.....	BB-6003Z	Bearing .....	6003ZZ.....	2
526.....	JMD45PF-526	C-Retainer Ring .....	S17 .....	1
527.....	JMD45PF-527	Gear Shaft .....		1
528.....	JMD45PF-528	Key .....	5x5x28 .....	1
529.....	JMD45PF-529	Rack .....		1
530.....	JMD45PF-530	Bushing .....		1
531.....	JMD45PF-532	Bushing .....		1
532.....	JMD45PF-532	Hex. Socket Head Screw .....	M12x85 .....	4
533.....	JMD45PF-533	C-Retainer Ring .....	R35.....	1
534.....	JMD45PF-534	Worm Shaft .....		1
535.....	JMD45PF-535	Worm Gear.....		1
536.....	JMD45PF-536	Bearing .....		2
537.....	JMD45PF-537	Support Flange.....		1
538.....	JMD45PF-538	Hex. Socket Head Screw .....	M8x25 .....	4
539.....	JMD45PF-539	Hex. Socket Head Screw .....	M8x60 .....	4
540.....	JMD18-058E	Head Handle .....		1
541.....	TS-0271061	Socket Set Screw .....	3/8"X5/8" .....	2
542.....	JMD45PF-542	Clamp Handle .....		1
543.....	JMD18N-116E	Working Lamp Assembly .....	24V, 20W .....	1
544.....	TS-2246102	Socket Head Button Screw .....	M6x10 .....	2
545.....	JMD45PF-545	Lamp Bracket.....		1
546.....	TS-1504041	Socket Head Cap Screw .....	M8x20 .....	1
547.....	TS-1540061	Hex. Nut .....	M8 .....	1
548.....	JMD45PF-548	Steel Ball .....	ø 6 .....	1
549.....	JMD45PF-549	Pan Head Machine Screw.....	M4x40 .....	2

## Breakdown for the JMD- 45PF/JMD-45PFD Gear Head Milling Machine Table and Base Assembly

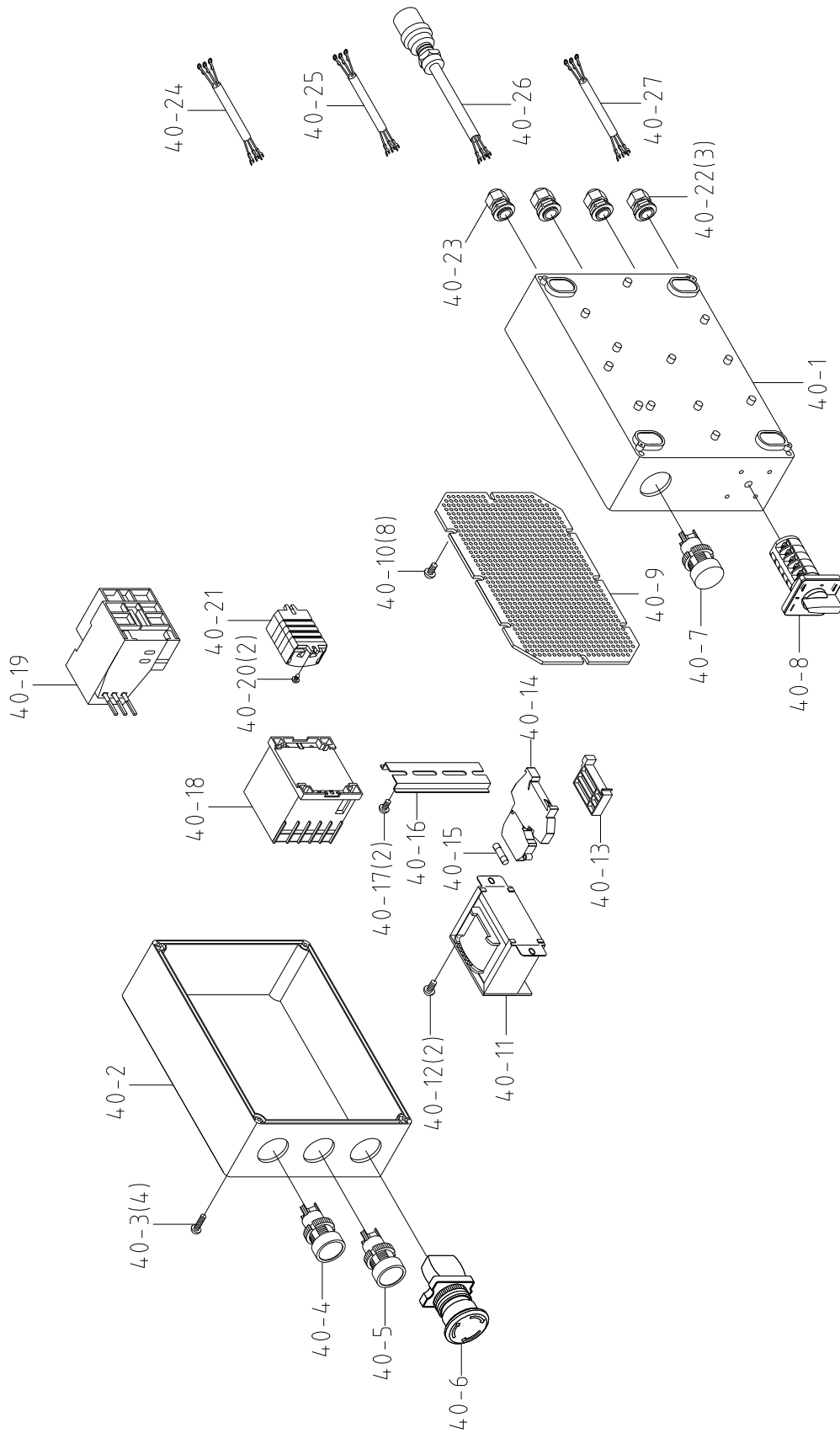


**Parts List for the JMD- 45PF/JMD-45PFD Gear Head Milling Machine  
Table and Base Assembly**

<b>Index No.</b>	<b>Part No.</b>	<b>Description</b>	<b>Size</b>	<b>Qty.</b>
601.....	JMD45PF-610.....	Table .....	30L .....	1
602.....	JMD45PF-602.....	Fixed Block.....	.....	2
603.....	JMD45PF-603.....	Movable Fixed Ring .....	.....	2
604.....	JMD45PF604.....	Hex. Socket Head Screw .....	1/4"x1/2".....	2
605.....	JMD45PF-605.....	Oil Ball.....	1/4".....	5
606.....	JMD18-201.....	Table Handle Wheel.....	ø 17.....	3
606-1.....	TS-0267041.....	Socket Set Screw.....	1/4"x3/8.....	3
607A.....	JMD18-201A.....	Clamp Handle .....	.....	3
607-1.....	JMD18-201-1.....	Hex. Socket Head Screw .....	3/8"-16UNC.....	3
607-2.....	JMD18-201-2.....	Knob.....	.....	3
607-3.....	JMD18-201-3.....	Hex. Nut .....	3/8".....	3
609.....	JMD45PF-609.....	Table Clutch.....	ø 17.....	1
610.....	JMD45PF-610.....	Pin.....	ø 5x38.....	1
611.....	JMD45PF-611.....	Left Flange .....	ø 17.....	1
612.....	JMD45PF-612.....	Hex. Socket Head Screw .....	5/16"x1".....	6
613A.....	JMD45PF-613.....	Table Nut Set .....	.....	1
613-1.....	JMD45PF-613-1.....	Table Nut.....	.....	1
613-2.....	JMD45PF-613-2.....	Washer.....	M5.....	1
613-3.....	JMD45PF-613-3.....	Cheese Head Mach Screw .....	M5x16.....	1
616A.....	JMD45PF-616.....	Table Screw Assembly.....	31L.....	1
616-1.....	JMD45PF-616-1.....	Table Screw .....	31L.....	1
616-2.....	JMD45PF-616-2.....	Bearing.....	.....	2
616-3.....	JMD45PF-616-3.....	Right Flange.....	ø 17.....	1
616-4.....	JMD45PF-616-4.....	Graduated Dial.....	.....	1
616-5.....	JMD45PF-616-5.....	Dial Clutch.....	ø 17.....	1
616-6.....	JMD45PF-616-6.....	Pin.....	ø 5x38.....	1
617.....	JMD45PF-617.....	Link Screw.....	.....	2
618.....	JMD45PF-618.....	Limit Plate.....	.....	2
619.....	JMD45PF-619.....	Rivet.....	ø 2.....	4
620.....	JMD45PF-620.....	Center Base .....	30L.....	1
621.....	JMD45PF-621.....	Anti-dust Plate.....	.....	1
622.....	JMD45PF-622.....	Anti-dust Plate Set .....	.....	1
623.....	JMD45PF-623.....	Gib Strip .....	30L.....	1
624.....	JMD45PF-624.....	Gib Strip .....	.....	1
625.....	JMD45PF-625.....	Movable Fixed Block.....	.....	1
626.....	JMD45PF-626.....	Hex. Socket Head Screw .....	5/16"x1/2".....	4
627.....	JMD45PF-627.....	Gib Strip Bolt.....	.....	2
628.....	JMD45PF-628.....	Bushing .....	.....	4
629.....	JMD45PF-629.....	Grip.....	.....	2
630.....	JMD45PF-630.....	T Screw .....	.....	2
631.....	JMD45PF-631.....	Hex. Socket Head Screw .....	5/16"x1".....	2
632.....	JMD45PF-632.....	Spring Washer .....	5/16".....	3
633.....	JMD45PF-633.....	Hex. Socket Head Screw .....	5/16"x2-1/4".....	1
634A.....	JMD45PF-634.....	Acme Nut Assembly.....	.....	1
634-1.....	JMD45PF-634-1.....	Acme Nut.....	.....	1
634-2.....	JMD45PF-634-2.....	Spring Washer .....	M5.....	1
634-3.....	JMD45PF-634-3.....	Hex. Socket Head Screw .....	M5x16.....	1
635.....	JMD45PF-635.....	Swivel Base.....	.....	1
636A.....	JMD45PF-636.....	Acme Screw Assembly .....	.....	1
636-1.....	JMD45PF-636-1.....	Acme Screw .....	.....	1
636-2.....	JMD45PF-636-2.....	Bearing.....	.....	1
636-3.....	JMD45PF-636-3.....	Square Flange.....	ø 17.....	1

<b>Index No.</b>	<b>Part No.</b>	<b>Description</b>	<b>Size</b>	<b>Qty.</b>
636-4	JMD45PF-636-4	Graduated Dial		1
636-5	JMD45PF-636-5	Dial Clutch	∅ 17	1
636-6	JMD45PF-636-6	Pin	∅ 5x38	1
637	JMD45PF-637	Plug	1/4"x3/8"	1
638	365534	Vise		1

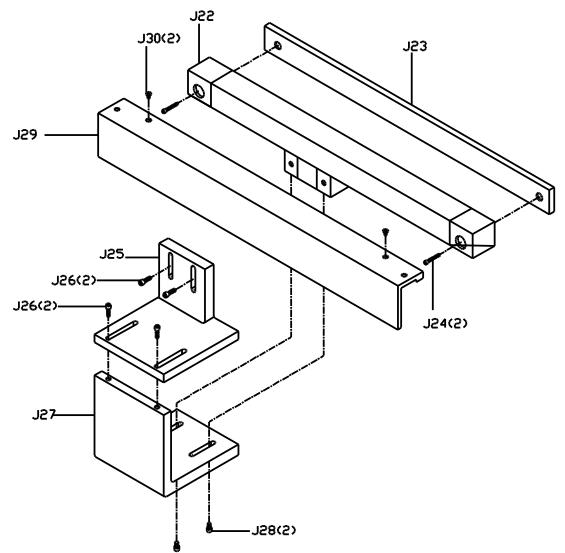
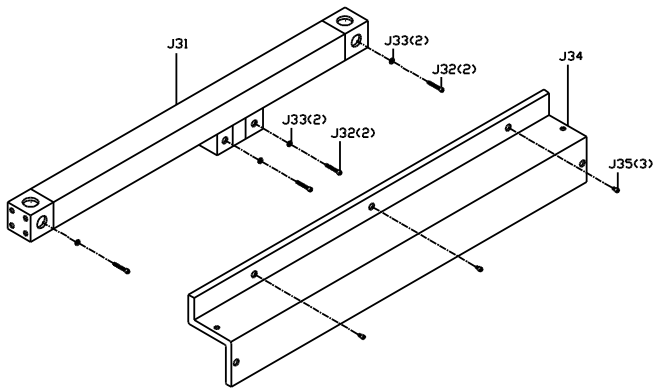
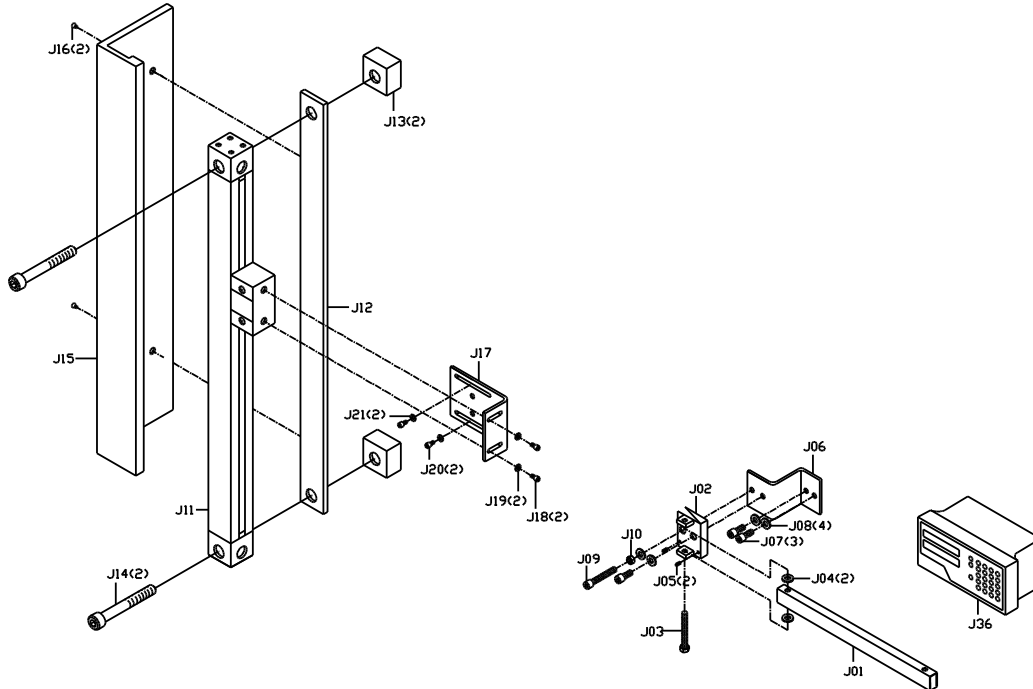
## Breakdown for the JMD- 45PF/JMD-45PFD Gear Head Milling Machine Electrical Box Assembly



**Parts list for the JMD- 45PF/JMD-45PFD Gear Head Milling Machine  
Electrical Box Assembly**

<b>Index No.</b>	<b>Part No.</b>	<b>Description</b>	<b>Size</b>	<b>Qty.</b>
40.....	JMD45PF-40E.....	Electric Box Assembly (include #40-1 to #40-27) .....		1
40-1 ....	JMD45PF-40-1 .....	Box Base .....		1
40-2 ....	JMD45PF-40-2 .....	Box Cover.....		1
40-3 ....	JMD45PF-40-3.....	Cross Round Head Screw.....	M4x15 .....	4
40-4 ....	JMD45PF-40-4.....	Push Button Switch .....	NPB-F1G1A .....	1
40-5 ....	JMD45PF-40-5.....	Push Button Switch .....	NPB-F1R1B .....	1
40-6 ....	JMD45PF-40-6.....	Emergency Button Switch .....	KEDU HY-57B .....	1
40-7 ....	JMD45PF-40-7.....	Power Indicator Lamp .....	NPL-W .....	1
40-8 ....	JMD45PF-40-8.....	Select Switch.....		1
40-9 ....	JMD45PF-40-9.....	Base Plate .....		1
40-10 ..	TS-081C022 .....	Machine Screw.....	#10x3/8".....	8
40-11 ..	JMD45PF-40-11 .....	Transformer.....	20VA, 0.7Kg.....	1
40-12 ..	TS-081C022.....	Machine Screw.....	#10x3/8".....	2
40-13 ..	JMD45PF-40-13.....	Fixed Plate .....		1
40-14 ..	JMD45PF-40-14.....	Fuse Block.....	281-611 .....	1
40-15 ..	JMD45PF-40-15.....	Fuse .....	2A.....	1
40-16 ..	JMD45PF-40-16.....	Bracket .....		1
40-17 ..	TS-081C022.....	Machine Screw.....	#10x3/8".....	2
40-18 ..	JMD145PF-40-18.....	Magnetic Contactor .....	C-06D10A7 .....	1
40-19 ..	JMD45PF-40-19.....	Overload Protection .....	2.4-3.6A .....	1
40-20 ..	TS-081C022.....	Machine Screw.....	#10x3/8".....	2
40-21 ..	JMD45PF-40-21.....	Terminal Block .....	264-364.....	1
40-22 ..	JMD45PF-40-22.....	Cable Clamping.....	PG11 .....	3
40-23 ..	JMD45PF-40-23.....	Cable Clamping.....	PG13.5.....	1
40-24 ..	JMD45PF-40-24E.....	Motor Cable.....		1
40-25 ..	JMD45PF-40-25E.....	Working Lamp Cable.....		1
40-26 ..	JMD45PF-40-26E.....	Power Cable.....		1
40-27 ..	JMD45PF-40-27E.....	Micro Switch Cable .....		1

## Breakdown for the JMD-45PFD Milling Drilling Center Digital Read Out Assembly





**Parts List for the JMD-45PFD Milling Drilling Center  
Digital Read Out Assembly**

<b>Index No.</b>	<b>Part No.</b>	<b>Description</b>	<b>Size</b>	<b>Qty.</b>
J01	JMD45PFD-J01	Radial Arm		1
J02	JMD45PFD-J02	Radial Arm Bracket		1
J03	TS-1505081	Socket Head Cap Screw	M10x50	1
J04	TS-1550071	Flat Washer	M10	2
J05	JMD45PFD-J05	Socket Set Screw	M15x12	2
J06	JMD45PFD-J06	Bracket Fixed Base		1
J07	JMD45PFD-J07	Socket Head Cap Screw	M8x10	3
J08	TS-1550061	Flat Washer	M8	4
J09	TS-1504101	Socket Head Cap Screw	M8x50	1
J10	TS-1540061	Hex Nut	M8	1
J11	JMD45PFD-J11	Linear Scale for Z-axis		1
J12	JMD45PFD-J12	Z-axis Fixed Block		1
J13	JMD45PFD-J13	Fixed Block		1
J14	TS-1502091	Socket Head Cap Screw	M5x40	2
J15	JMD45PFD-J15	Cover for Z-axis		1
J16	JMD45PFD-J16	Flat Head Screw	M5x40	2
J17	JMD45PFD-J17	Fixed Base		1
J18	JMD45PFD-J18	Socket Head Cap Screw	M4x40	2
J19	TS-1550021	Flat Washer	M4	2
J20	TS-1502031	Socket Head Cap Screw	M5x12	2
J21	TS-1550031	Flat Washer	M5	2
J22	JMD45PFD-J22	Linear Scale for Y-axis		1
J23	JMD45PFD-J23	Y-axis Fixed Block		1
J24	TS-1501071	Socket Head Cap Screw	M4x25	2
J25	JMD45PFD-J25	Fixed Base		1
J26	TS-1502031	Socket Head Cap Screw	M5x12	2
J27	JMD45PFD-J27	Fixed Bracket		1
J28	TS-2244162	Socket Head Cap Screw	M4x16	2
J29	JMD45PFD-J29	Cover For Y-axis		1
J30	JMD45PFD-J30	Flat Head Cap Screw	M4x6	2
J31	JMD45PFD-J31	Linear Scale for X-axis		1
J32	TS-1501071	Socket Head Cap Screw	M4x25	2
J33	TS-1550021	Flat Washer	M4	2
J34	JMD45PFD-J34	Cover For Y-axis		1
J35	JMD45PFD-J35	Flat Head Cap Screw	M4x6	3
J36	JMD45PFD-J36	Display		1

**JMD-45PF-T.....50000400T...3~400V, 50Hz**

**JMD-45PFD-T...50000401T...3~400V, 50Hz**

	colour of strands	Litzenfarben	couleur des cordons
BK	black	schwarz	noir
BU	blue	blau	bleu
BN	brown	braun	brun
GY	grey	grau	gris
GNYE	green-yellow	grün-gelb	vert-jaune

	meaning of symbol	Bedeutung der Zeichen	interprétation
M	main motor	Hauptmotor	moteur principal
L	indicator lamp	Anzeigelampe	lampe d'indication
S1	emergency stop switch	Not-Aus Schalter	arrêt d'urgence
S2	off switch	Aus-Schalter	bouton arrêt
S3	start switch	Ein-Schalter	bouton marche
S4	work lamp switch	Maschinenleuchte-Schalter	contacteur lampe
KM1	contactor for main motor	Hauptschütz	contacteur moteur
F	fuse	Sicherung	fusible
W	work lamp	Maschinenleuchte	lampe
FR	overload cut-off	Überlastschutz	interrupteur surcharge
TR	transformer	Transformator	transformateur
SQ	limit switch	Positionsendschalter	micro
SA1	2/4p & F/R switch	2/4 Pol & V/R Schalter	bouton 2/4 p & d/g

