



JSG-233A-M

**Combination Disc & Belt Sander
Teller- und Bandschleifmaschine
Ponceuse à disque et à bande**

Original:
GB
Operating Instructions

D
Gebrauchsanleitung

F
Mode d'emploi



TOOL FRANCE SARL
9 rue des Pyrénées, F-91090 LISSES,
France
www.jettools.com



M-JSG-233A-M

2020-03

**CE-Conformity Declaration
CE-Konformitätserklärung
Déclaration de conformité CE**

Product / Produkt / Produit:

Combination Disc & Belt Sander / Teller- und Bandschleifmaschine / Ponceuse à disque et à bande

JSG-233A-M

Brand / Marke / Marque:

JET

Manufacturer / Hersteller / Fabricant:

TOOL FRANCE SARL

9 Rue des Pyrénées, 91090 LISSES, France

We hereby declare that this product complies with the regulations
Wir erklären hiermit, dass dieses Produkt der folgenden Richtlinie entspricht
Par la présente, nous déclarons que ce produit correspond aux directives suivantes

2006/42/EC

Machinery Directive / Maschinenrichtlinie / Directive Machines

2014/30/EU

Electromagnetic compatibility / elektromagnetische Verträglichkeit / compatibilité électromagnétique

designed in consideration of the standards
und entsprechend folgender zusätzlicher Normen entwickelt wurde
et été développé dans le respect des normes complémentaires suivantes

EN ISO 12100:2010

EN 60204-1:2006+A1:2009

EN 61000-6-2:2005

EN 61000-6-4:2007+A1:2011

Responsible for the Documentation / Dokumentations-Verantwortung / Responsabilité de Documentation:

Head Product-Mgmt. / Leiter Produkt-Mgmt. / Resp. de Gestions Produits

TOOL FRANCE SARL



2020-03-25 Christophe SAINT SULPICE, General Manager

TOOL FRANCE SARL

9 Rue des Pyrénées, 91090 LISSES, France

GB - ENGLISH

Operating Instructions

Dear Customer,

Many thanks for the confidence you have shown in us with the purchase of your new JET-machine. This manual has been prepared for the owner and operators of a **JET JSG-233A-M disc and belt sander** to promote safety during installation, operation and maintenance procedures. Please read and understand the information contained in these operating instructions and the accompanying documents. To obtain maximum life and efficiency from your machine, and to use the machine safely, read this manual thoroughly and follow instructions carefully.

Table of Contents

Section	Page
1. Declaration of conformity	4
2. Warranty	4
3. Safety	4
3.1 Authorized use.....	4
3.2 General safety notes.....	4
3.3 Remaining hazards	5
3.4 Labels and positions	5
4.0 Specifications	6
5.0 Features and Terminology	7
6.0 Setup and assembly	7
6.1 Shipping contents	7
6.2 Tools required for assembly	7
6.3 Mounting V-belt guard	7
6.4 Mounting sanding disc plate	8
6.5 Mounting lower sanding disc guard	8
6.6 Mounting sanding belt cover.....	8
6.7 Mounting sanding table.....	8
6.8 Mounting to workbench.....	8
7.0 Electrical connections	8
8.0 Adjustments	9
8.1 Vertical belt sanding	9
8.2 Changing the sanding belt	9
8.3 Belt tracking adjustment	10
8.4 Sanding disc replacement.....	10
8.5 Table adjustment.....	10
9.0 Operations	10
9.1 Basic Operating Procedure	10
9.2 Dust collection	10
9.3 Horizontal belt sanding.....	11
10.0 User-maintenance.....	11
10.2 V-belt replacement.....	11
10.3 V-belt tensioning	12
10.4 Additional servicing	12
11.0 Abrasives	12
11.1 Selecting abrasives	12
11.2 Cleaning abrasive strips	13
11.3 Abrasive selection guide.....	13
12.0 Troubleshooting JSG-233A-M Sander	14

1. Declaration of conformity

On our own responsibility we hereby declare that this product complies with the regulations listed on page 2. Designed in consideration with the standards.

2. Warranty

TOOL France SARL guarantees that the supplied product is free from material defects and manufacturing faults.

This warranty does not cover any defects which are caused, either directly or indirectly, by incorrect use, carelessness, accidental damage, repair, inadequate maintenance or cleaning and normal wear and tear.

Any warranty details (i.e. warranty period) can be found in the General Terms and Conditions (GTC) that are integral part of the contract.

These GTC can be viewed at the website of your dealer or sent to you upon request.

TOOL France SARL reserves the right to make changes to the product and accessories at any time.

3. Safety

3.1 Authorized use

This sander is designed for sanding wood and similar materials only. Sanding of other materials is not permitted and may be carried out in specific cases only after consulting with the manufacturer.

The machine is not suitable for wet sanding.

The proper use also includes compliance with the operating and maintenance instructions given in this manual.

The machine must be operated only by persons familiar with its operation and maintenance and who are familiar with its hazards.

The required minimum age must be observed.

The machine must only be used in a technically perfect condition.

When working on the machine, all safety mechanisms and covers must be mounted.

In addition to the safety requirements contained in these operating instructions and your country's applicable regulations, you should observe the generally recognized technical rules concerning the operation of woodworking machines.

Any other use exceeds authorization.

In the event of unauthorized use of the machine, the manufacturer renounces all liability and the responsibility is transferred exclusively to the operator.

3.2 General safety notes

Woodworking machines can be dangerous if not used properly. Therefore the appropriate general technical rules as well as the following notes must be observed.

Read and understand the entire instruction manual before attempting assembly or operation.



Keep this operating instruction close by the machine, protected from dirt and humidity, and pass it over to the new owner if you part with the tool.

No changes to the machine may be made.

Daily inspect the function and existence of the safety appliances before you start the machine.

Do not attempt any operation in this case; protect the machine by unplugging the power cord.

Before operating the machine, remove tie, rings, watches, other jewellery, and roll up sleeves above the elbows.

Remove all loose clothing and confine long hair.

Wear safety shoes; never wear leisure shoes or sandals.

Always wear the approved working outfit:

- eye protection
- expiratory protection
- dust protection



Do not wear loose clothes and gloves while operating this machine.

Install the machine so that there is sufficient space for safe operation and workpiece handling.

Keep work area well lighted.

The machine is designed to operate in closed rooms and must be bolted stable on firm and levelled table surface or on the supplied cabinet stand.

Make sure that the power cord does not impede work and cause people to trip.

Keep the floor around the machine clean and free of scrap material, oil and grease.

Stay alert!

Give your work undivided attention.

Use common sense. Do not operate the machine when you are tired.

Keep an ergonomic body position.
Maintain a balanced stance at all times.

Do not operate the machine under the influence of drugs, alcohol or any medication. Be aware that medication can change your behaviour.

Never reach into the machine while it is operating or running down.

Keep children and visitors a safe distance from the work area.

Never leave a running machine unattended. Before you leave the workplace switch off the machine.

Do not operate the electric tool near inflammable liquids or gases.

Observe the fire fighting and fire alert options, for example the fire extinguisher operation and place.

Do not use the machine in a damp environment and do not expose it to rain.

Sanding dust is explosive and can also represent a risk to health.

Always use a suitable dust extraction device.

Before machining, remove any nails and other foreign bodies from the workpiece.

Machine only stock which rests securely on the table.

Specifications regarding the maximum or minimum size of the workpiece must be observed.

Do not remove chips and workpiece parts until the machine is at a standstill.

Do not stand on the machine.

Connection and repair work on the electrical installation may be carried out by a qualified electrician only.

Have a damaged or worn power cord replaced immediately.

Make all machine adjustments or maintenance with the machine unplugged from the power source.

Protect the environment, dispose of the packing in an environmentally friendly manner.

Your appliance contains valuable materials which can be recovered or recycled. Please leave it at a specialized institution.



This symbol indicates separate collection for electrical and electronic equipment required under the WEEE Directive (Directive 2012/19/EC) and is effective only within the European Union.

3.3 Remaining hazards

When using the machine according to regulations some remaining hazards may still exist.

The moving sanding disc and sanding belt can cause injury.

Risk of kickback. The workpiece is caught by the moving sanding disc or sanding belt and thrown back to the operator.

Thrown workpiece parts can lead to injury.

Sanding dust and noise can be health hazards. Be sure to wear personal protection gear such as safety goggles and dust mask. Use a suitable dust exhaust system.

Defective abrasives can cause injuries.

The use of incorrect mains supply or a damaged power cord can lead to injuries caused by electricity.

3.4 Labels and positions

A: Safety warning

B: Sanding disc and sanding belt running direction

C: Belt tensioning and belt tracking adjustment



Fig. A

Fig. B

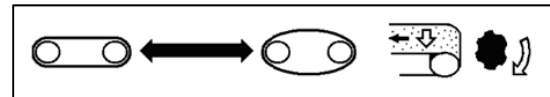


Fig. C

Note: The figures are general in nature and may not show your particular sander model.

4.0 Specifications

Table 1

Model number	JSG-233A-M
Motor and Electricals	
Motor type	induction motor
Motor power	0.37 kW (0,5 HP)
Voltage	1~230V, PE, 50Hz
Listed FLA (full load amps)	3.8 A
Motor speed	2850 /min
Starting amps	12 A
Starting capacitor	100uF, 125VAC
On/off switch	magnetic switch
Power cable	H05RN-F, 3x1.0 mm ²
Recommended circuit size ¹	10 A
Sound emission (acoustic pressure level LpA, EN ISO 11202) ²	71 dB idling, 84 dB in operation
Sanding disc	
Disc diameter	200 mm
Disc speed	1850 /min
Sanding belt	
Sanding belt size	100 x 915 mm
Sanding belt speed	8 m/sec
Belt arm inclination	0°-90°
Sanding table	
Table size	225 x 115 mm
Table tilting range	90° - 45°
Dust collection	
Dust port outside diameter	38 mm
Recommended minimum extraction volume	80 m ³ /h
Main materials	
Machine base	Cast iron
Sanding arm	steel
Sanding disc	aluminium die casting
Sanding table	aluminium die casting
Dimensions	
Assembled dimensions, LxWxH	350 x 400 x 500 mm
Shipping dimensions, LxWxH	
Weights	
Net weight (approx.)	26 kg
Shipping weight (approx.)	

¹ Subject to local/national electrical codes.

² The specified values are emission levels and are not necessarily to be seen as safe operating levels. As workplace conditions vary, this information is intended to allow the user to make a better estimation of the hazards and risks involved only.

The specifications in this manual were current at time of publication, but because of our policy of continuous improvement, JET reserves the right to change specifications at any time and without prior notice, without incurring obligations.

5.0 Features and Terminology

The illustration below shows the major components and features of the JSG-233A-M sanders. These are referenced throughout the manual and will help to familiarize you with the operation and functions of the machine.

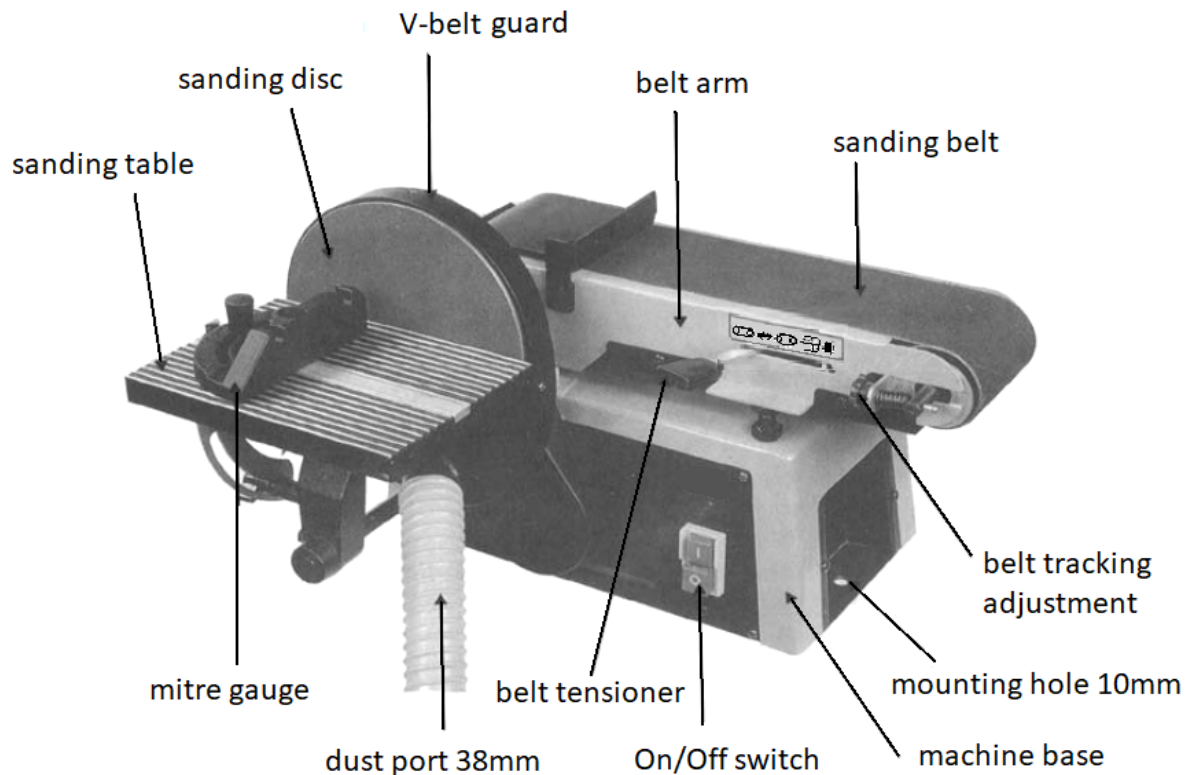


Figure 5-1: features and terminology

WARNING Read and understand the entire contents of this manual before attempting set-up or operation. Failure to comply may cause serious injury.

6.0 Setup and assembly

Open box and check for shipping damage. Report any damage immediately to your distributor and shipping agent. Any missing parts should be reported to your distributor. Do not discard shipping material until the sander is assembled and running satisfactorily.

6.1 Shipping contents

- 1 Sander
- 1 V-belt guard
- 1 Sanding disc plate
- 1 Abrasive disc
- 1 Sanding disc guard
- 1 Sanding belt
- 1 Sanding table
- 1 Mitre gauge
- 1 Operating manual
- 1 Spare parts list

6.2 Tools required for assembly

- Screw driver
- 10mm open spanner (supplied)

Additional tools may be needed for adjustments or mounting the sander to a workbench.

6.3 Mounting V-belt guard

Place the V-belt guard (A, Fig. 6-1) on the hub of the drive shaft (B, Fig. 6-2).

Attach the guard to the hub with screw (59).

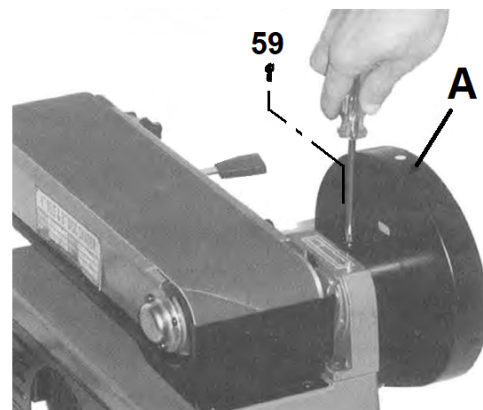


Figure 6-1: Mounting the V-belt guard

Attach the guard to the machine base with screw (87, Fig. 6-2).

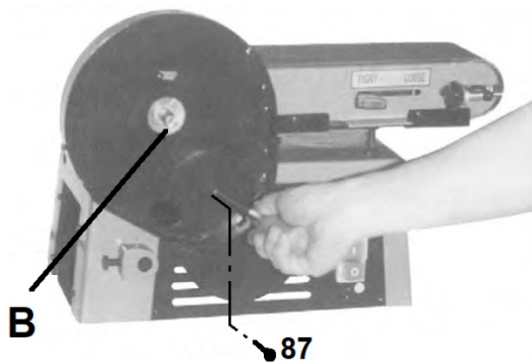


Figure 6-2: Attach to the machine base

6.4 Mounting sanding disc plate

Push the sanding disc plate (C, Fig. 6-3) onto the shaft until the surface of the plate is almost flush with the shaft end. The shaft end may not extend into the sanding surface. Secure the plate with screw (68).

Mount the Velcro abrasive disc, press on firmly.

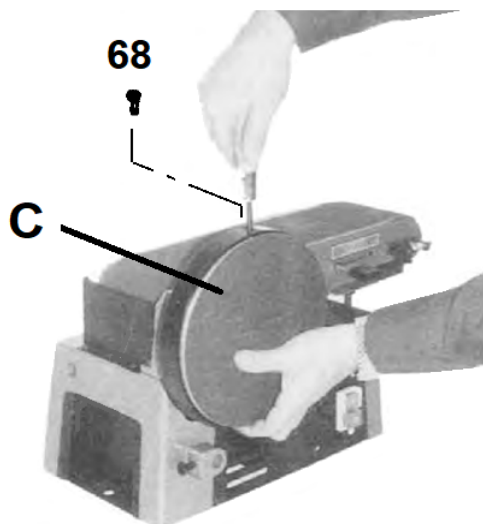


Figure 6-3: Mounting sanding disc plate

6.5 Mounting lower sanding disc guard

Attach the lower sanding disc guard (D, Fig. 6-4) with 2 screws (89).

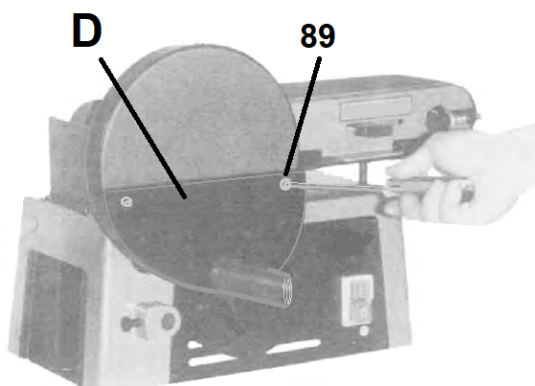


Figure 6-4: Mounting lower sanding disc guard

6.6 Mounting sanding belt cover

Attach the sanding belt cover (E, Fig. 6-5) with screw and washer (57, 58).

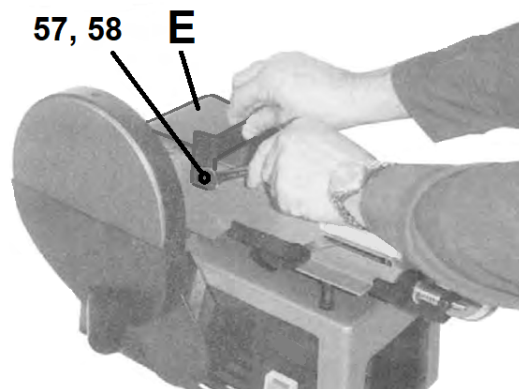


Figure 6-5: Mounting sanding belt cover

6.7 Mounting sanding table

Insert the support rod (69, Fig. 6-6) into the base and secure in place with screw (35). Slide the sanding table (F) onto the support rod and clamp with screw.

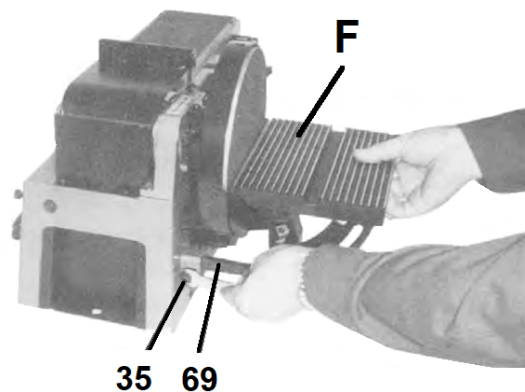


Figure 6-6: Mounting sanding table

⚠WARNING Make sure that the abrasive disc does not touch the sanding table. Set a distance of 1mm between the sanding paper and the edge of the table.

6.8 Mounting to workbench

The sander should be bolted to a workbench or table to avoid any tendency to creep or slide during sanding operations. Use appropriate fasteners (not provided) through the 2 holes in the machine base.

7.0 Electrical connections

⚠WARNING All electrical connections must be done by a qualified electrician in compliance with all local codes and ordinances. Failure to comply may result in serious injury.

The sander is rated at 230-Volt power only. The sander comes with a plug designed for use on a circuit with a grounded outlet.

It is recommended that the sander be connected to a dedicated 10 amp circuit with circuit breaker or fuse.

Local codes take precedence over recommendations.

8.0 Adjustments

⚠WARNING General note:

Setup and adjustment work may only be carried out after the machine is protected against accidental starting by pulling the mains plug.

8.1 Vertical belt sanding

The following preparations must be made for vertical belt sanding:

1. Loosen the nut (63, Fig. 8-1) and bring the belt arm (G) in vertical position. Install the sanding table. Set a 90° angle between the sanding table and belt arm. Lock the belt arm in place by tightening the nut (63).

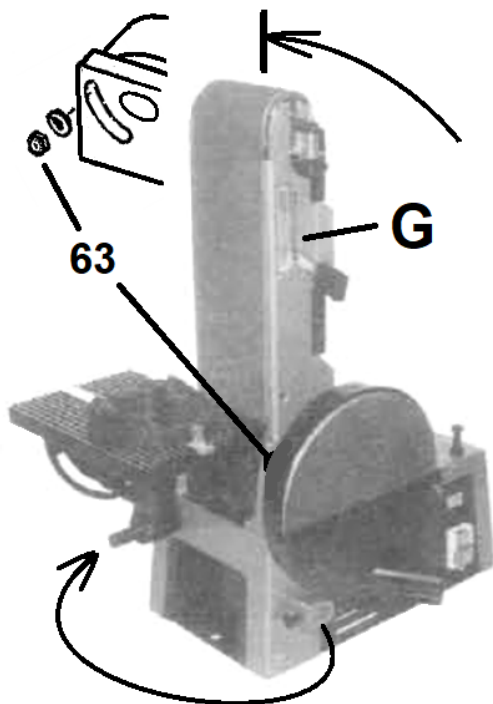


Figure 8-1: Lift the arm for vertical belt sanding

2. Loosen 2 screws (92, Fig. 8-2) and position the cover plate (H) all the way down. Tighten the screws again.

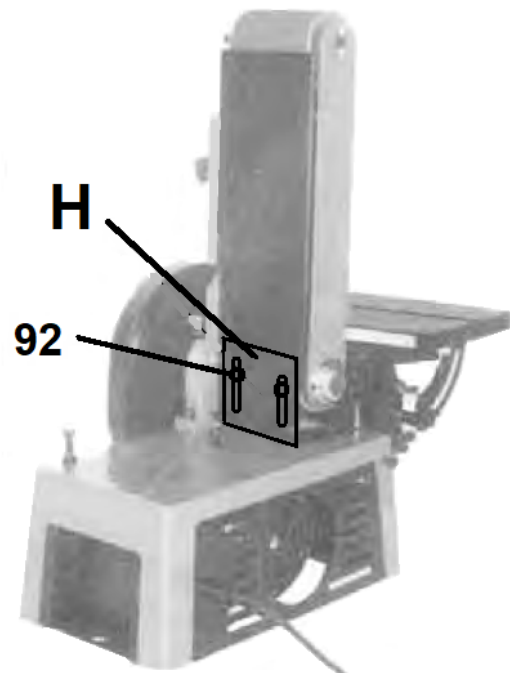


Figure 8-2: Re-positioning the cover plate

3. Set the work table in the exact 90° position to the sanding belt (Fig. 8-3).

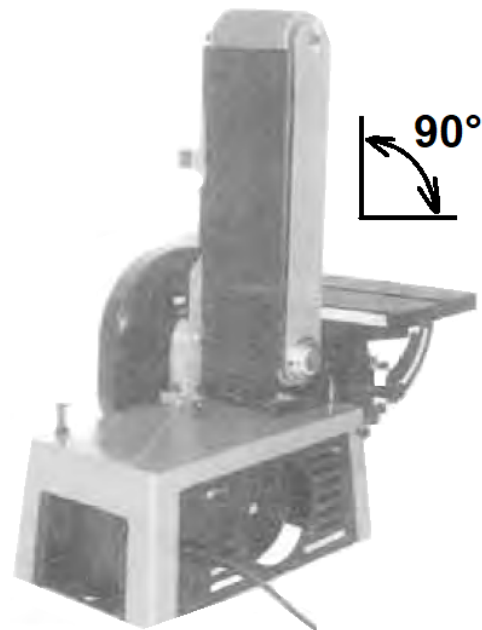


Figure 8-3: Set the table to exactly 90°

8.2 Changing the sanding belt

Disconnect the machine from the power source (pull mains plug).

Release the belt tension by moving the tension handle (29, Fig. 8-4).

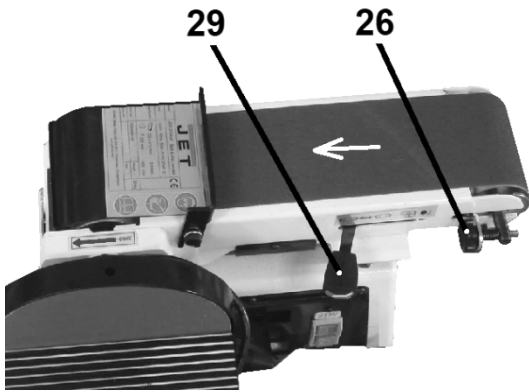


Figure 8-4: Changing the sanding belt

Carefully remove old belt.

Observe direction arrow on inside of sanding belt. Make sure that direction arrow on belt matches direction indicator on the machine.

Tension the belt.

Note: Belts stretch with wear. You may have to adjust tracking with a new belt.

8.3. Belt tracking adjustment

The sanding belt should run in the middle of the rollers.

The blade tracking is adjustable by the micro adjusting screw (26, Fig. 8-4).

Turn on the power to the machine just enough to start the belt rotating and then turn off. Do this several times and observe belt tracking. Readjust if necessary.

8.4 Sanding disc replacement

Disconnect the machine from the power source (pull mains plug).

Remove the table assembly.

Remove the lower disc guard (D, Abb. 6-4).

Remove the old sanding disc.

Make sure the disc plate is clean before you attach the new sanding disc.

8.5 Table adjustment

Disconnect the machine from the power source (pull mains plug).

Use a square on the sanding disc to exactly align the table to 90°.

Move the mitre gauge and inspect the parallelism of the movement in regards to the sanding disc.

If the mitre guidance is not parallel loosen the screw (78, Fig. 8-5) and adjust.

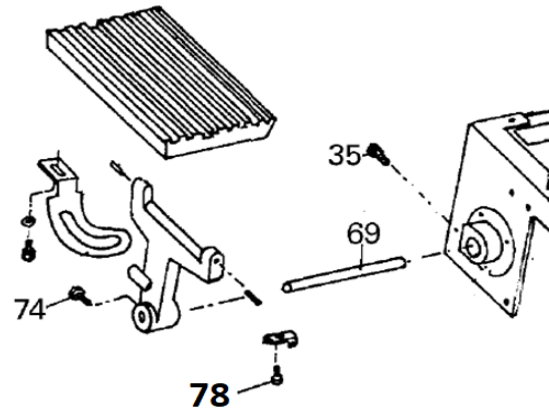


Figure 8-5: Table parallel adjustment

9.0 Operations

Before using your sander, review the previous sections on initial set-up and adjustment. Before operating, make sure a proper dust collection system is connected.

9.1 Basic Operating Procedure

1. Adjust the sanding table.
2. Start dust collection system.
3. Start the machine.
4. Place and guide the workpiece, holding your fingers close together. Keep moving the workpiece while sanding to reduce sanding marks.

CAUTION Always keep your hands well clear of the moving sanding belt or disc.

When working complex shapes, make jigs and guides to guide the workpiece properly and safely.

Support long workpieces with helping roller stands.

9.2 Dust collection

Before initial operation, the machine must be connected to a dust collector.

The dust port has a diameter of 38mm (Fig. 9-1).

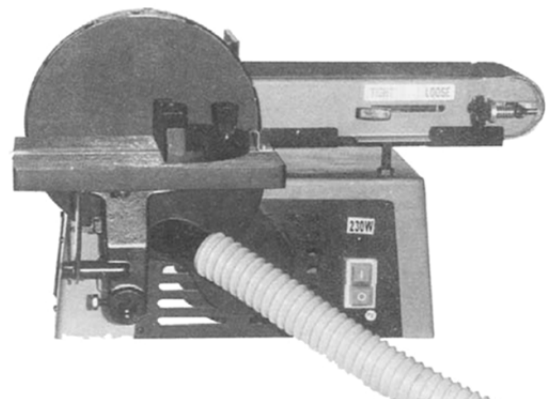


Figure 9-1: Dust collection port 38mm

9.3 Horizontal belt sanding

Place the workpiece against the stop and load evenly.



Figure 9-2: Horizontal belt sanding

9.4 Curved sanding

For curved sanding, set the belt arm to the desired inclination (Fig. 9-3).

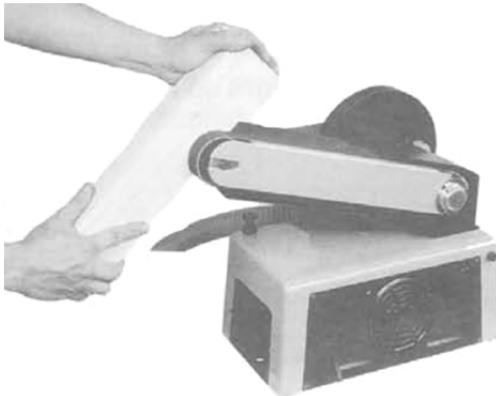


Figure 9-3: Curved sanding

9.5 Disc sanding

Place the sanding table to the desired mitre, press the workpiece onto the table and at the same time push it against the sanding disc (Abb. 9-4).

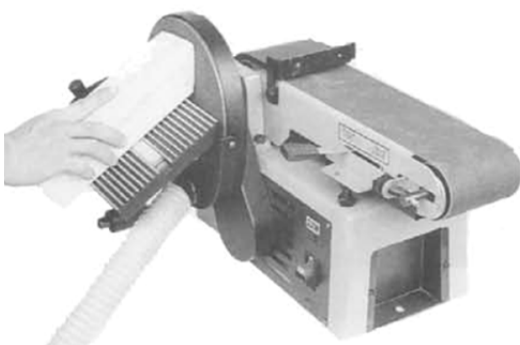


Figure 9-4: Disc sanding

10.0 User-maintenance

⚠WARNING Before doing maintenance on the machine, disconnect it from the electrical supply (pull out the plug). Failure to comply may cause serious injury.

Check sanding disc and belt regularly for faults. Replace a defective sanding disc or belt immediately.

Inspect the proper function of the dust extraction daily.

Check the V-belt for correct tension, replace if necessary.

The machine may only be operated with the protective covers installed. Defective safety devices must be replaced immediately.

Repair and maintenance work on the electrical system may only be carried out by a qualified electrician.

10.1 Cleaning

Clean the machine from any dust at regular intervals.

10.2 V-belt replacement

A worn V-belt must be replaced (see the instructions in Fig. 10-2 to Fig. 10-7).

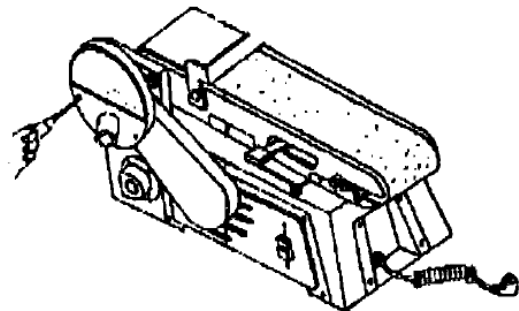


Figure 10-2: Remove the disc guard

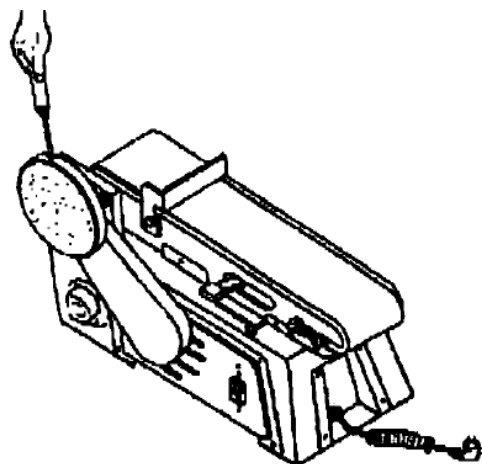


Figure 10-3: Remove the sanding disc plate.

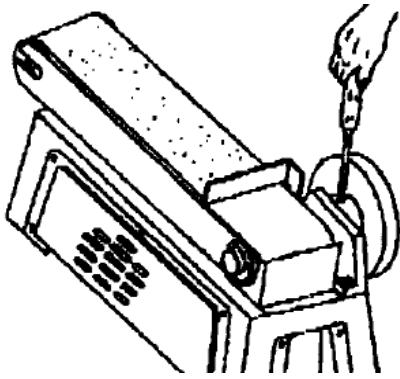


Figure 10-4: Remove the V-belt guard

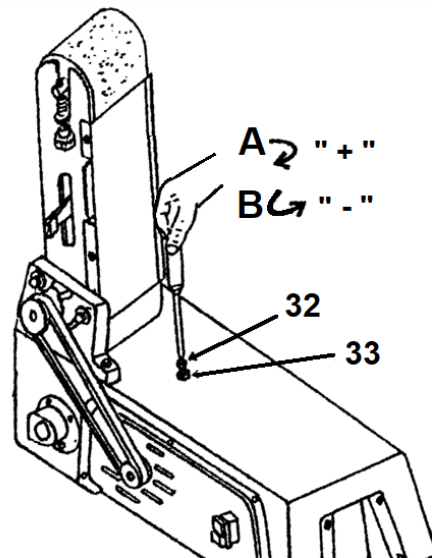


Figure 10-1: V-belt tensioning

All protective covers must be reinstalled after the correct setting !

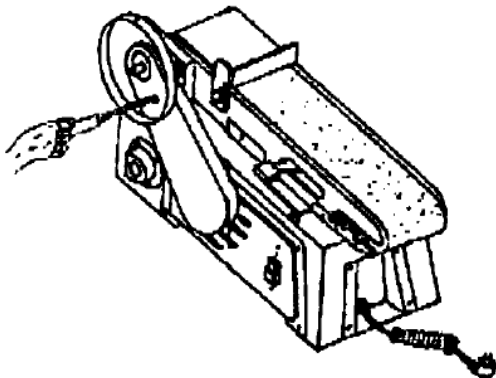


Figure 10-5: Remove the V-belt guard .

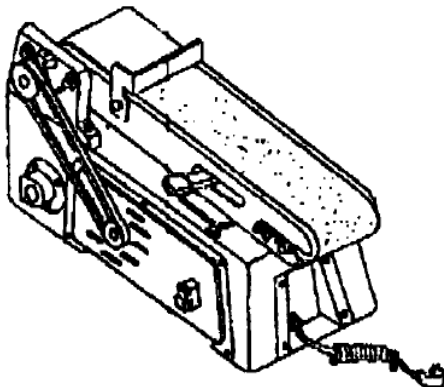


Figure 10-6: Install a new V-belt.

Tension the V-belt (see chapter 10.3)

Install the V-belt guard, the sanding disc plate and the disc guard.

WARNING The machine may only be operated with the protective covers installed.

10.3 V-belt tensioning

Place the belt arm in a vertical position.

Loosen the nut (33, Fig. 10-1) and adjust the V-belt tension with the screw (32). Turning screw clockwise (+) tensions the V-belt.

After adjusting the belt correctly, tighten the nut (33).

10.4 Additional servicing

Any additional servicing should be performed by an authorized service technician.

11.0 Abrasives

The abrasive material you choose will have a substantial effect on the performance of your sander. Variations in paper type, weight, coating and durability all contribute to achieving your desired finish.

11.1 Selecting abrasives

It is important to select the proper grit of abrasive for the type of sanding being performed to achieve maximum results. As with any sanding operation, first begin sanding with a coarser grit, depending upon the roughness of the stock or the amount of stock to be removed. Then progressively work toward finer grits. The chart below (table 2) shows the general uses for the various grits.

The amount of stock to be removed is a major consideration when choosing the grit grade with which to begin. Grits 36, 50 and 60 are primarily designed for stock removal. Grits from 120 through 220 are primarily finishing grits.

In general, premium quality abrasives will produce a better finish with a less noticeable scratch pattern.

Note: Grits that are too fine can sometimes burnish the wood and leave a glossy surface which will not accept stains evenly. This will vary by type of wood. Oak, for example, is susceptible to burnishing because of its open pores.

11.2 Cleaning abrasive strips

Regularly clean the abrasive belt and disc with commercially available cleaning sticks, following the manufacturer's directions. When cleaning, also brush the stick crumbs from the abrasive.

In some cases, heavy loaded areas can be removed with Plexiglas held on edge against the moving abrasive.

CAUTION

Always wear eye protection while performing sandpaper cleaning, and take all precautions to avoid any contact of hands or clothing with the moving abrasive.

11.3 Abrasive selection guide

Grit	Common Application
36, 50, 60	Maximum stock removal, glue removal.
80, 100	Light surfacing, small stock removal.
120, 150	Finish sanding, minimal stock removal.
180, 220	Finish sanding only, not for stock removal.

Table 2

12.0 Troubleshooting JSG-233A-M Sander



WARNING Before any repair or maintenance work, the machine must be switched off and disconnected from the power supply (pull the plug). Failure to comply can result in serious injury.

Symptom	Possible Cause	Correction *
Motor won't start when switch is activated	No incoming current.	Check connections and fuse.
	Low voltage.	Check power line for proper voltage.
	ON/OFF switch defective.	Have the machine repaired at an authorized repair shop.
	Capacitor defective.	
	Motor defective.	
Machine does not reach full speed	Overload.	Apply less pressure, use coarser grit.
	V-belt loose.	Tension the V-belt (see chapter 10.3).
Motor overheat.	Air circulation through motor restricted.	Clean motor fan with compressed air to restore normal air circulation.
	Motor overloaded.	Apply less pressure, use coarser grit.
Loud, repetitive noise or vibration coming from machine.	Fasteners loose.	Inspect fasteners and tighten where needed.
	Motor fan is hitting cover.	Tighten fan or shim fan cover.
	Machine not level.	Place sander on flat surface, shim if needed.
Sanding paper slips	Sanding belt is stretched.	Install new sanding belt.
	Too much applied pressure.	Apply less pressure, move workpiece while sanding.
Sanding belt does not run in the middle of the rollers	Sanding belt defective.	Replace the sanding belt.
	Belt tracking adjusted off center	Align the sanding belt using the adjusting knob (pos. 26) until it runs exactly in the track.
Sanding belt tears	Sanding belt installed wrong way.	Observe the belt running direction.
Abrasive loads up prematurely.	Too much applied pressure.	Move workpiece while sanding.
	Inadequate dust collection.	Increase airflow at dust port.
	Inadequate abrasive.	Use an open-coat abrasive.
Sanding marks on the wood.	Workpiece was held still.	Keep the workpiece moving.
Sander burns wood.	Abrasive is loaded.	Clean abrasive or replace abrasive.
	Excessive stock removal for fine grit.	Use coarser grit
	Abrasive is worn.	Replace abrasive.

* **WARNING:** Some corrections may require a qualified electrician.

Table 3

DE - DEUTSCH

Bedienungsanleitung

Sehr geehrter Kunde,

Vielen Dank für Ihr Vertrauen, dass Sie durch den Kauf Ihrer neuen JET-Maschine in uns gesetzt haben. Diese Anleitung wurde für den Besitzer und die Bediener des **Teller- und Bandschleifers JET JSG-233A-M** erstellt und soll die Sicherheit bei Aufstellung, Bedienung und Wartung gewährleisten. Bitte lesen Sie die in dieser Betriebsanleitung und den begleitenden Dokumenten enthaltenen Informationen vollständig und sorgfältig, um sicherzustellen, dass Sie alle Anweisungen genau verstehen. Damit Sie die Maschine so lange wie möglich sicher betreiben und mit höchstmöglicher Effizienz nutzen können, müssen diese Anleitung gründlich durchlesen und alle Anweisungen befolgen.

Inhaltsverzeichnis

Abschnitt	Seite
1. Konformitätserklärung.....	16
2. Garantie	16
3. Sicherheit	16
3.1 Bestimmungsgemäße Verwendung	16
3.2 Allgemeine Sicherheitshinweise.....	16
3.3 Restrisiken	17
3.4 Schilder und ihre Positionen.....	18
4.0 Technische Daten	19
5.0 Merkmale und verwendete Terminologie	20
6.0 Einrichtung und Montage	20
6.1 Lieferumfang	20
6.2 Für die Montage benötigte Werkzeuge.....	20
6.3 Montage Schleifteller-Schutz.....	20
6.4 Montage Schleifteller	21
6.5 Montage unterer Schleiftellerschutz	21
6.6 Montage der Schleifband-Abdeckung	21
6.7 Montage des Schleiftisches	21
7.0 Elektrische Anschlüsse	22
8.0 Einstellungen.....	22
8.1 Bandschleifen im vertikalen Betrieb.....	22
8.2 Schleifband Wechsel.....	23
8.3 Bandlauf Einstellung	23
8.4 Tellerschleifpapier Wechsel.....	23
8.5 Schleiftisch Einstellung	23
9.0 Bedienung und Betrieb	23
9.1 Grundlegende Bedienschritte.....	23
9.2 Absaug Anschluss	23
9.3 Flächenschleifen	24
9.4 Kurvenschleifen	24
9.5 Winkelschleifen	24
9.6 Tipps zum Erzielen der optimalen Leistung.....	24
10.0 Wartung	24
10.1 Reinigung und Schmierung.....	24
10.2 Keilriemen spannen	24
10.3 Keilriemen ersetzen	25
10.4 Zusätzliche Wartung.....	25
11.0 Schleifmittel	25
11.1 Schleifmittel auswählen	25
11.2 Schleifmittel reinigen.....	26
11.3 Tabelle für Schleifmittelauswahl	26
12.0 Störungsabhilfe	27

1. Konformitätserklärung

Wir erklären hiermit auf eigene Verantwortung, dass dieses Produkt den auf Seite 2 aufgeführten Richtlinien entspricht und unter Berücksichtigung der angeführten Normen konstruiert wurde.

2. Garantie

TOOL France SARL garantiert, dass das gelieferte Produkt frei von Material- und Fertigungsfehlern ist.

Diese Garantie trifft nicht auf jene Defekte zu, welche auf direkten oder indirekten, nicht fachgerechten Gebrauch, Unachtsamkeit, Unfallschaden, Reparatur, mangelhafte Wartung bzw. Reinigung sowie normalen Verschleiß zurückzuführen sind.

Die ausführlichen Garantieleistungen (z.B. Gewährleistungsfrist) sind den Allgemeinen Geschäftsbedingungen (AGB) zu entnehmen. Die AGB sind auf der Internetseite ihres Händlers einzusehen oder werden auf Anfrage per Post zugestellt.

TOOL France SARL behält sich das Recht vor, jederzeit Änderungen am Produkt und Zubehör vorzunehmen.

3. Sicherheit

3.1 Bestimmungsgemäße Verwendung

Diese Schleifmaschine ist ausschließlich für das Schleifen von Holz und vergleichbaren Werkstoffen ausgelegt. Das Schleifen von anderen Werkstoffen ist nicht zulässig und darf in Sonderfällen nur nach ausdrücklicher Genehmigung des Herstellers durchgeführt werden.

Die Maschine ist nicht für Nassschleifvorgänge geeignet.

Für die bestimmungsgemäße Verwendung müssen außerdem die Betriebs- und Wartungsanweisungen in diesem Handbuch beachtet werden.

Die Maschine darf nur von Personen bedient werden, die mit der Bedienung und Wartung dieser Maschine sowie den damit verbundenen Gefahren vertraut sind.

Das erforderliche Mindestalter muss beachtet werden.

Die Maschine darf nur in technisch einwandfreiem Zustand verwendet werden.

Beim Arbeiten mit der Maschine müssen alle Sicherheitsmechanismen und Sicherheitsabdeckungen funktionstüchtig und korrekt montiert sein.

Zusätzlich zu den in dieser Betriebsanleitung aufgeführten Sicherheitsmaßnahmen und den in Ihrem Land geltenden Regelungen müssen außerdem die allgemein anerkannten technischen Grundsätze

hinsichtlich der Bedienung von Holzbearbeitungsmaschinen beachtet werden.

Jegliche anderweitige Verwendung ist untersagt. Bei nicht bestimmungsgemäßer Verwendung der Maschine übernimmt der Hersteller keinerlei Haftung und der Bediener trägt die volle Verantwortung.

3.2 Allgemeine Sicherheitshinweise

Holzbearbeitungsmaschinen bergen bei nicht sachgemäßer Verwendung ein großes Gefahrenpotential. Daher müssen die entsprechenden technischen Grundsätze und die folgenden Hinweise beachtet werden.

Vor Montage und Inbetriebnahme muss die Bedienungsanleitung vollständig durchgelesen und verstanden werden.



Diese Bedienungsanleitung muss in der Nähe der Maschine aufbewahrt, vor Schmutz und Feuchtigkeit geschützt und bei Weitergabe des Produkts an einen neuen Besitzer mit übergeben werden.

An der Maschine dürfen keine Änderungen vorgenommen werden.

Vor dem Starten der Maschine müssen alle Sicherheitseinrichtungen täglich auf Funktionstüchtigkeit und Vorhandensein geprüft werden. In diesem Fall darf die Maschine nicht in Betrieb genommen werden und muss durch Abziehen des Netzkabels gesichert werden.

Bevor mit dieser Maschine gearbeitet wird, Krawatten, Ringe, Armbanduhren und anderen Schmuck ablegen und die Ärmel bis über die Ellbogen aufrollen. Locker sitzende Kleidung darf nicht getragen werden und lange Haare zusammenbinden.

Sicherheitsschuhe tragen; niemals mit Freizeitschuhen oder Sandalen arbeiten.

Stets zulässige und geeignete Arbeitskleidung tragen:

- Augenschutz
- Atemschutz
- Staubschutz



Beim Arbeiten mit dieser Maschine keine locker sitzende Kleidung und keine Handschuhe tragen.

Die Maschine muss so aufgestellt werden, dass ausreichend Platz zur sicheren Bedienung und zur Handhabung des Werkstücks gewährleistet ist.

Der Arbeitsbereich muss stets gut beleuchtet sein.

Die Maschine ist für den Betrieb in geschlossenen Räumen ausgelegt und muss stabil und sicher auf einer festen und ebenen Tischfläche oder auf einem Untergestell verschraubt werden.

Es muss sichergestellt werden, dass das Netzkabel die Arbeiten nicht behindert und keine Stolpergefahr darstellt. Den Boden rund um die Maschine sauber und frei von Ausschussmaterial, Öl oder Schmierfett halten.

Stets aufmerksam bleiben! Der Arbeit ist uneingeschränkte Aufmerksamkeit zu widmen.

Mit gesundem Menschenverstand vorgehen. Die Maschine darf nicht bei Müdigkeit bedient werden.

Stets auf eine ergonomische Körperhaltung achten. Stets für sicheren Stand sorgen.

Die Bedienung dieser Maschine unter dem Einfluss von Drogen, Alkohol oder Medikamenten ist untersagt. Urteils- und Reaktionsvermögen sowie Motorik können durch Einnahme von Medikamenten beeinträchtigt werden.

Greifen Sie niemals in die Maschine hinein, während sich diese in Betrieb befindet oder nachläuft.

Kinder und Unbefugte müssen vom Arbeitsbereich ferngehalten werden.

Lassen Sie die Maschine niemals unbeaufsichtigt. Die Maschine muss vor dem Verlassen des Arbeitsplatzes ausgeschaltet werden.

Die Maschine darf nicht in der Nähe von entzündlichen Flüssigkeiten oder Gasen betrieben werden. Alle Einrichtungen für Brandbekämpfung und Feueralarm - beispielsweise Position und Bedienung von Feuerlöschern - müssen bekannt sein.

Die Maschine darf nicht in feuchter Umgebung eingesetzt werden und darf keinem Regen ausgesetzt werden.

Schleifstaub ist explosiv und kann darüber hinaus auch ein Gesundheitsrisiko darstellen. Es muss stets eine geeignete Staubabsaugvorrichtung verwendet werden.

Vor der Bearbeitung müssen sämtliche Nägel und Fremdkörper vom Werkstück entfernt werden.

Nur Schleifgut bearbeiten, welches sicher und stabil auf dem Tisch aufliegt.

Die Vorgaben hinsichtlich Maximal- und Minimalgröße des Werkstücks müssen beachtet werden.

Späne und Werkstückteile dürfen erst nach vollständigem Stillstand der Maschine entfernt werden.

Stellen Sie sich nicht auf die Maschine.

Anschluss- und Reparaturarbeiten an der Elektrik dürfen ausschließlich von einem qualifizierten Elektriker durchgeführt werden.

Ein beschädigtes oder verschlissenes Netzkabel muss umgehend ersetzt werden.

Vor Ausführung erforderlicher Einstellungen oder Wartungsarbeiten die Maschine vom Stromnetz trennen.

Schützen Sie die Umwelt: Die Verpackung muss umweltfreundlich entsorgt werden.

Das Gerät beinhaltet wertvolle Materialien, die zurückgewonnen bzw. wiederverwertet werden können. Bitte die Entsorgung von einem Fachunternehmen ausführen lassen.



Dieses Symbol verweist auf die getrennte Sammlung von Elektro- und Elektronikgeräten, gemäß Forderung der WEEE-Richtlinie (2012/19/EU). Diese Richtlinie ist nur innerhalb der Europäischen Union wirksam.

3.3 Restrisiken

Selbst bei Beachtung aller Vorschriften können beim Betrieb der Maschine einige Restrisiken bestehen.

Verletzungsgefahr durch das frei laufende Schleifband und den frei laufenden Schleifteller.

Es besteht Rückschlaggefahr. Das Werkstück kann vom sich bewegenden Schleifband oder Schleifteller erfasst und in Richtung des Bedieners geschleudert werden.

Fortgeschleuderte Werkstücke können zu Verletzungen führen.

Es bestehen Gesundheitsrisiken durch Schleifstaub und Lärm. Persönliche Schutzausrüstung wie z.B. Schutzbrille und Staubschutzmaske tragen. Ein geeignetes Staubabsaugsystem verwenden.

Defekte Schleifmittel können Verletzungen verursachen.

Bei Verwendung eines ungeeigneten Netzanschlusses und eines beschädigten Netzkabels kann es zu Verletzungen aufgrund eines Stromschlags kommen.

3.4 Schilder und ihre Positionen

A: Sicherheitswarnung

B: Laufrichtung von Schleifband und Schleifteller.

C: Bandspannung und BandlaufEinstellung.



Abb. A



Abb. B

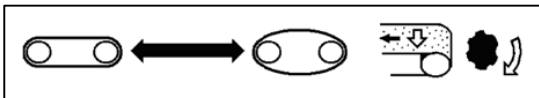


Abb. C

Hinweis: Die Abbildungen sind allgemein und zeigen möglicherweise nicht Ihr spezielles Maschinenmodell.

4.0 Technische Daten

Tabelle 1

Modellnummer	JSG-233A-M
Motor und Elektrik	
Motor	Induktionsmotor
Motorleistung	0.37 kW (0,5 PS)
Spannung	1~230 V, PE, 50Hz
Volllast Stromstärke	3.8 A
Motordrehzahl	2850 /min
Anlaufstrom	12 A
Anlaufkondensator	100µF, 125VAC
EIN/AUS Schalter	Magnetschalter
Netzkabel	H05RN-F, 3x1.0 mm ²
Empfohlene Netzabsicherung ¹	10 A
Schalldruckpegel LpA (nach EN ISO 11202) ²	71 dB im Leerlauf, 84 dB im Betrieb
Schleifteller	
Tellerabmessungen	Durchmesser 200mm
Tellerdrehzahl	1850 U/min
Schleifband	
Schleifbandabmessungen	100 x 915 mm
Schleifbandgeschwindigkeit	8 m/sec
Schleifarm Schwenkbereich	0° - 90°
Schleiftisch	
Tischgröße	225 x 115 mm
Tisch Schwenkbereich	90° - 45°
Staubabsaugung	
Durchmesser des Absaugstutzens	38 mm
Absaug-Volumenstrom mindestens	80 m ³ /h
Werkstoffe	
Gehäuse	Grauguss
Schleifarm	Stahl
Schleifteller	Aluminium
Schleiftisch	Aluminium
Abmessungen	
Maschine komplett montiert, LxBxH	350 x 450 x 500 mm
Transportverpackung, LxBxH	
Gewichtsangaben	
Nettogewicht (ca.)	26 kg
Transportgewicht (ca.)	

¹ Gemäß den örtlich/landesweit geltenden elektrotechnischen Vorschriften und Normen.

² Die angegebenen Werte sind nur die Emissionswerte und sind nicht automatisch als sichere Betriebswerte zu verstehen. Die Arbeitsbedingungen fallen je nach Arbeitsplatz unterschiedlich aus. Diese Informationen dienen daher lediglich dazu, dem Anwender eine bessere Vorstellung zum Einschätzen der Gefahren und Risiken zu vermitteln.

Die technischen Daten in diesem Handbuch waren zum Zeitpunkt der Veröffentlichung aktuell. Aufgrund unserer Politik fortwährender Verbesserung behält sich JET das Recht vor, technische Daten jederzeit und ohne Vorankündigung sowie ohne jegliche damit einhergehende Verpflichtung zu ändern.

5.0 Merkmale und verwendete Terminologie

In der nachstehenden Abbildung sind die Hauptkomponenten und Merkmale der Schleifmaschine JSG-233A-M dargestellt. Die Erläuterungen in diesem Handbuch beziehen sich auf diese Komponenten und Merkmale und verweisen auf sie, damit Sie sich mit der Bedienung und den Funktionen der Maschine genau vertraut machen können.

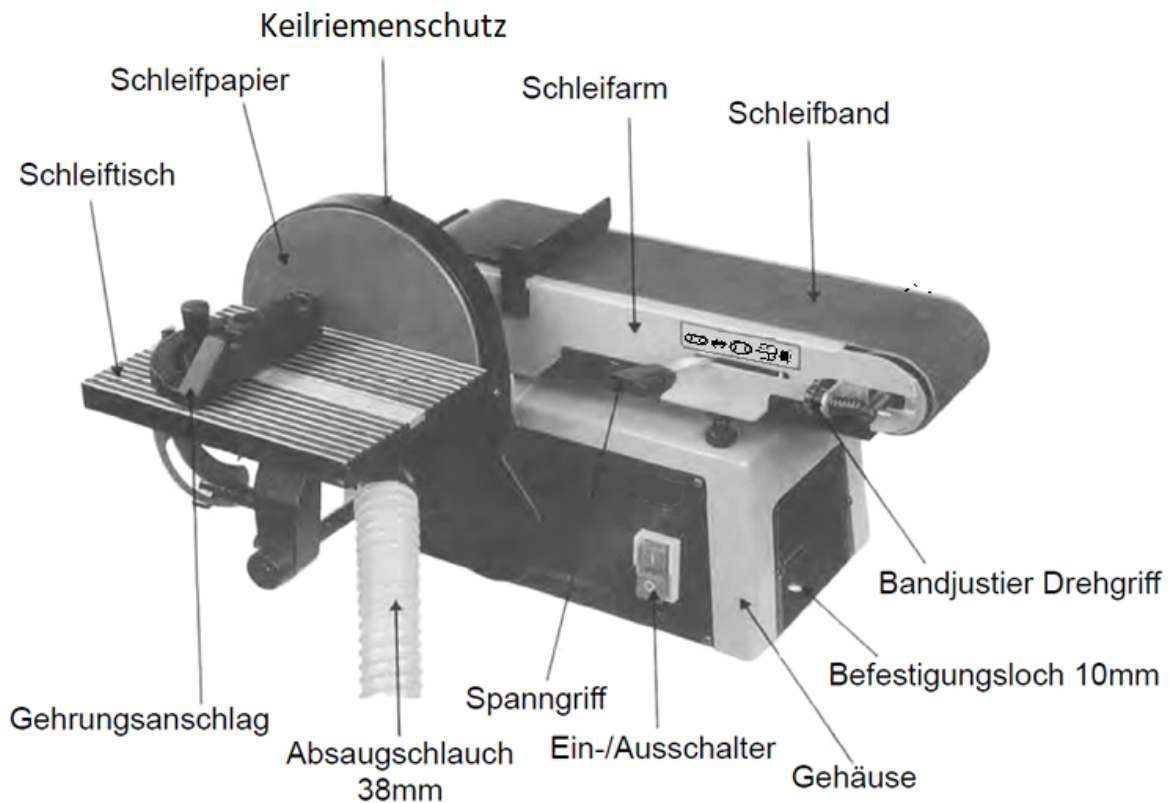
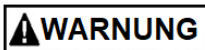


Abbildung 5-1: Merkmale und Terminologie



Vor Montage und

Inbetriebnahme muss die Bedienungsanleitung vollständig durchgelesen und verstanden werden. Nichtbeachtung kann zu schweren Verletzungen führen.

6.0 Einrichtung und Montage

Den Karton öffnen und den Inhalt auf Transportschäden prüfen. Schäden unverzüglich dem Zulieferer oder Spediteur melden. Das Versandmaterial erst entsorgen, wenn die Schleifmaschine vollständig montiert ist und ordnungsgemäß funktioniert.

6.1 Lieferumfang

- 1 Schleifmaschine
- 1 Keilriemenschutz
- 1 Schleifteller
- 1 Tellerschleifpapier
- 1 Schleiftellerschutz
- 1 Schleifband
- 1 Schleiftisch
- 1 Gehrungsanschlag

- 1 Bedienungsanleitung
- 1 Ersatzteilliste

6.2 Benötigte Montagewerkzeuge

- Schraubendreher
- 10mm Gabelschlüssel (mitgeliefert)

Zusätzliche Werkzeuge können zum Einstellen oder zum Montieren auf einer Werkbank erforderlich sein.

6.3 Montage Keilriemen-Schutz

Setzen Sie den Keilriemen-Schutz (A, Abb. 6-1) auf die Nabe der Antriebswelle (B, Abb. 6-2). Befestigen Sie den Schutz mit der Schraube (59).

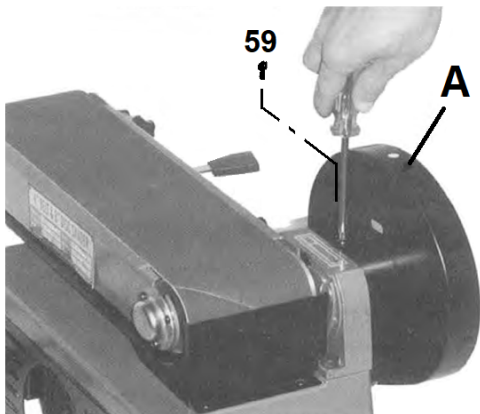


Abbildung 6-1: Montage vom Keilriemenschutz

Befestigen Sie den Keilriemenschutz mit der Schraube (87, Abb. 6-2) am Gehäuse.

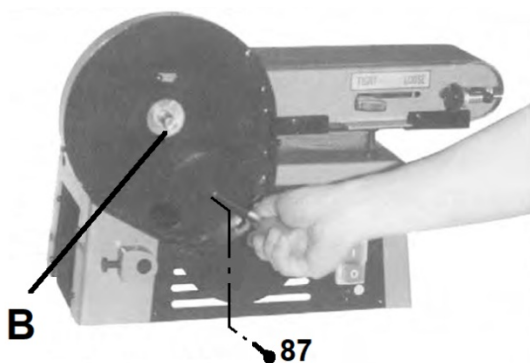


Abbildung 6-2: Befestigung am Gehäuse

6.4 Montage Schleifteller

Den Schleifteller (C, Abb. 6-3) auf die Welle schieben bis die Oberfläche des Tellers mit dem Wellenende fast bündig ist. Das Wellenende darf nicht in die Schleiftellerfläche hineinreichen. Den Teller mit der Schraube (68) festsetzen.

Das Tellerschleifpapier montieren und kräftig festdrücken.

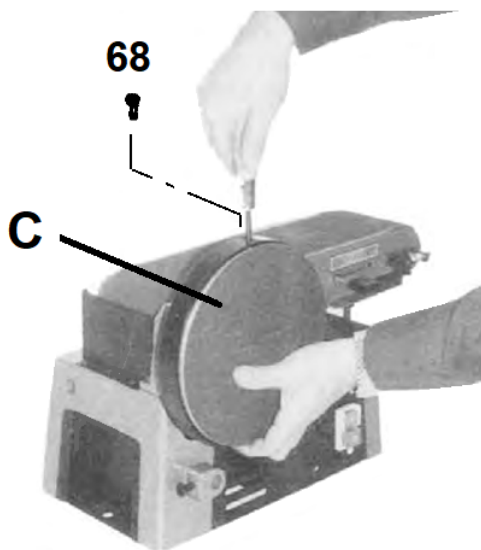


Abbildung 6-3: Montage des Schleiftellers

6.5 Montage Schleiftellerschutz

Den Schleiftellerschutz (D, Abb. 6-4) mit 2 Schrauben (89) befestigen.

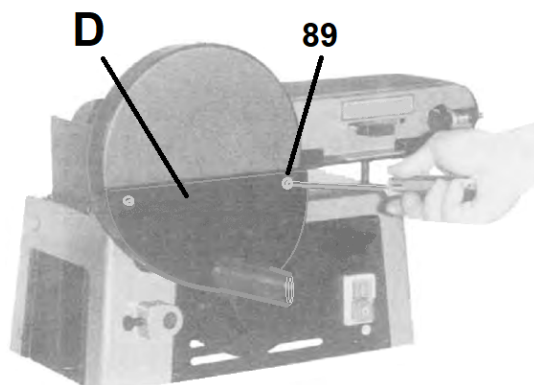


Abbildung 6-4: Montage Schleiftellerschutz

6.6 Montage der Schleifband-Abdeckung

Die Schleifband-Abdeckung (E, Abb. 6-5) mit Schraube und Scheibe (57, 58) befestigen.

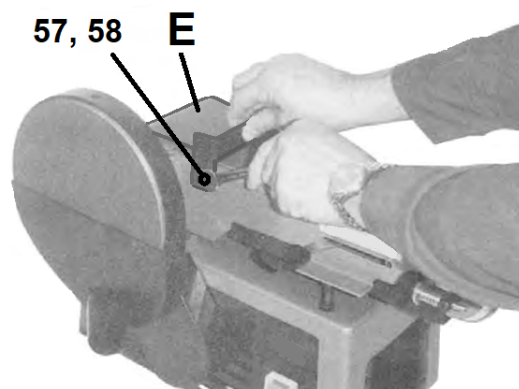


Abbildung 6-5: Montage der Schleifband-Abdeckung

6.7 Montage des Schleiftisches

Die Haltestange (69, Abb. 6-6) in die vorgesehene Bohrung des Gehäuses schieben und mit Schraube (35) festklemmen. Den Schleiftisch (F) auf die Haltestange schieben und ebenfalls mit Schraube festklemmen.

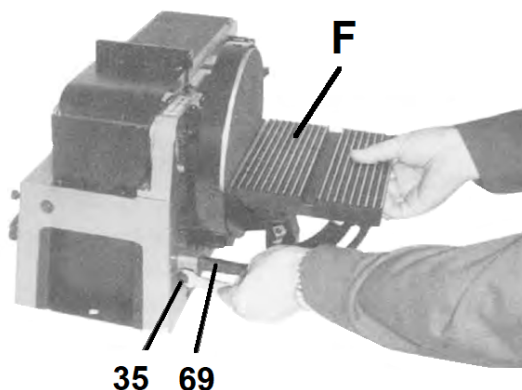


Abbildung 6-6: Montage des Schleiftisches

⚠ VORSICHT

Achten Sie darauf, dass das Schleifpapier nicht am Schleiftisch streift. Stellen Sie zwischen Schleifpapier und Tischkante einen Abstand von 1mm ein.

6.8 Montage auf Werkbank

Die Maschine muss auf einer Werkbank oder einem Tisch festgeschraubt sein um ein Verrutschen während des Betriebs zu verhindern. Es befinden sich dazu 2 Löcher im Maschinengehäuse, verwenden Sie geeignete Befestigungselemente (nicht im Lieferumfang enthalten).

7.0 Elektrische Anschlüsse

⚠ WARNUNG

Elektrische Anschlüsse dürfen nur von einem qualifizierten Elektriker gemäß den am Einsatzort geltenden Vorschriften und Verordnungen durchgeführt werden. Bei Nichtbeachtung kann es zu schwerwiegenden Verletzungen kommen.

Die Schleifmaschine hat eine Netzspannung von 230 V. Die Maschine wird mit einem Stecker geliefert und ist für die Verwendung an einer geerdeten Steckdose ausgelegt.

Es wird empfohlen, die Schleifmaschine an einen separaten Stromkreis mit 10A Leistungstrennschalter oder Schmelzsicherung anzuschließen.

Örtlich am Aufstell- bzw. Einsatzort bindende Vorschriften haben Vorrang vor den angeführten Empfehlungen.

8.0 Einstellungen

⚠ WARNUNG

Allgemeine Hinweise:

Vor Rüst- und Einstellarbeiten muss die Maschine gegen Inbetriebnahme gesichert werden.

Netzstecker ziehen!

8.1 Bandschleifen im vertikalen Betrieb

Für Bandschleifen im vertikalen Betrieb sind folgende Vorbereitungen vorzunehmen:

1. Die Mutter (63, Abb. 8-1) lösen, den Schleifarm (G) in die vertikale Stellung bringen. Den Schleiftisch anbauen. Einen 90° Winkel zwischen Schleiftisch und Schleifarm einstellen. Den Schleifarm durch das Festziehen der Mutter (63) wieder festsetzen.

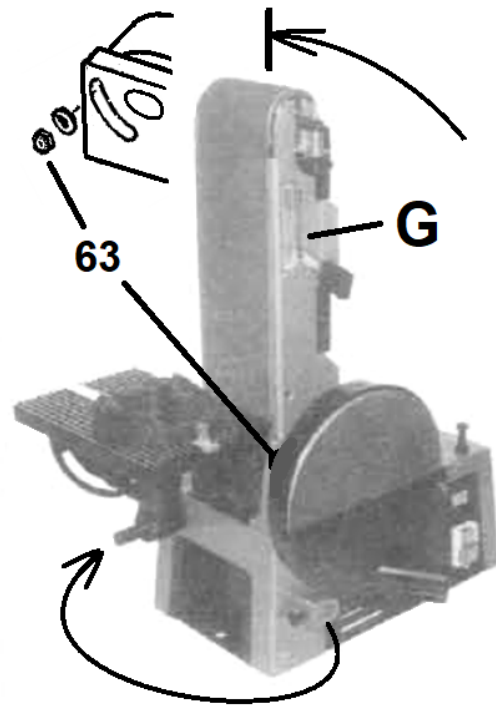


Abbildung 8-1: Bandschleifen im vertikalen Betrieb

2. Die 2 Schrauben (92, Abb. 8-2) lösen und die Abdeckplatte (H) so positionieren, dass sie ganz nach unten zu liegen kommt. Die Schrauben wieder festziehen.

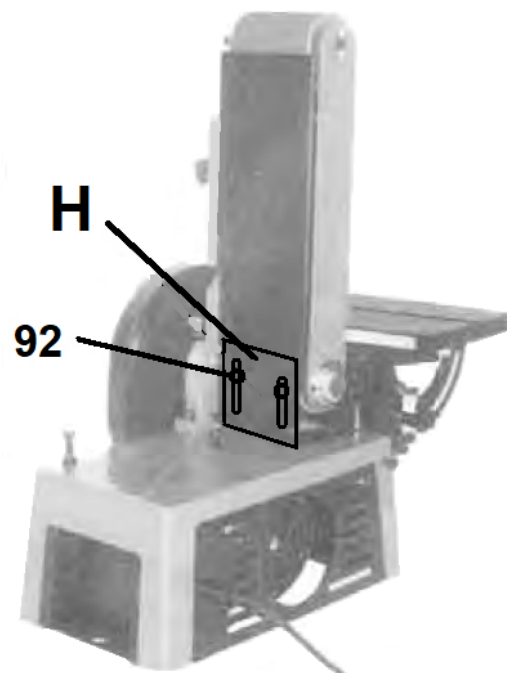


Abbildung 8-2: Abdeckplatte neu positionieren

3. Den Arbeitstisch in die genaue 90° Position zum Schleifband einstellen (Abb. 8-3).

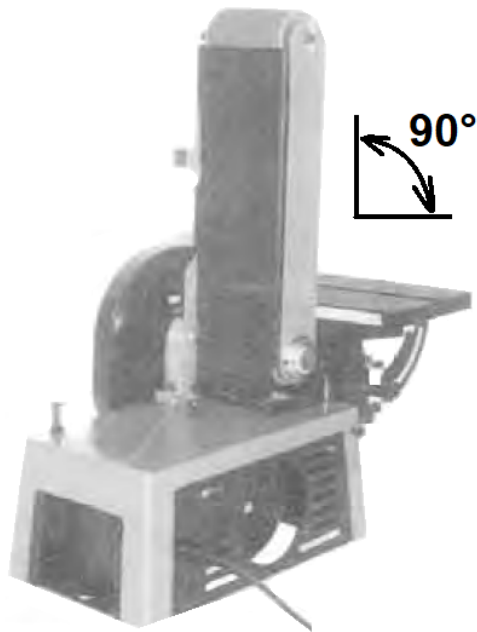


Abbildung 8-3: 90° Winkel zum Tisch exakt einstellen

8.2 Schleifband Wechsel

Die Stromzufuhr durch Ziehen des Netzsteckers trennen.
Mittels Hebel (29, Abb. 8-4) die Bandspannung lösen.

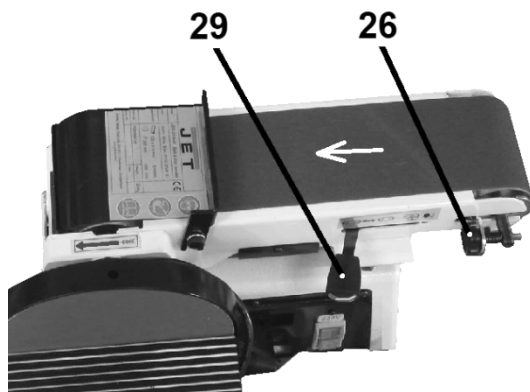


Abbildung 8-4: Schleifband Wechsel

Schleifband vorsichtig entnehmen.
Neues Schleifband auflegen, dabei auf angegebene Bandlaufrichtung (Pfeil am Schleifband) achten.
Schleifband spannen.
Hinweis: Schleifbänder dehnen sich im Betrieb, eine Nachjustierung des Bandlaufes kann erforderlich sein.

8.3. Bandlauf Einstellung

Das Schleifband soll mittig auf den Rollen laufen.
Der Bandlauf lässt sich mit der Feineinstellschraube (26, Abb. 8-4) korrigieren.
Den Motor mehrfach kurzzeitig starten und den Bandlauf kontrollieren.

8.4 Tellerschleifpapier Wechsel

Die Stromzufuhr durch Ziehen des Netzsteckers trennen.

Den Schleiftisch abbauen.
Den Kunststoffdeckel (D, Abb. 6-4) entfernen.
Das alte Tellerschleifpapier entfernen.
Der Schleifteller muss sauber sein bevor Sie das neue Tellerschleifpapier aufbringen.

8.5 Schleiftisch Einstellung

Die Stromzufuhr durch Ziehen des Netzsteckers trennen.
Zur rechtwinkligen Einstellung verwenden Sie einen 90° Messwinkel.
Die Bewegung des Gehrungslinals muss parallel zum Schleifteller erfolgen. Bei gelöster Schraube (78, Abb. 8-5) lässt sich die Parallelität verstellen.

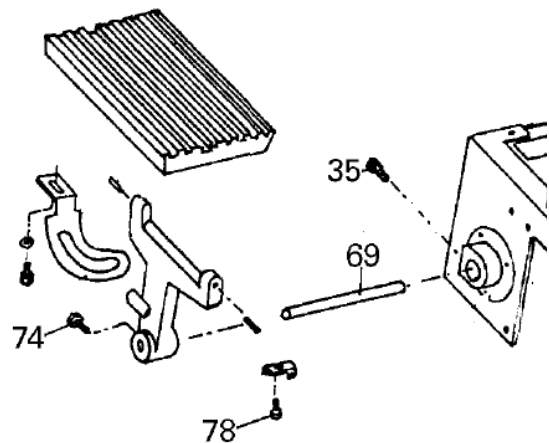


Abbildung 8-5: Schleiftisch parallel einstellen

9.0 Bedienung und Betrieb

Vor der Verwendung der Schleifmaschine die vorangehenden Abschnitte zur Einstellung noch einmal lesen. Sicherstellen, dass ein geeignetes Absaugsystem angeschlossen ist.

9.1 Grundlegende Bedienschritte

1. Den Schleiftisch einstellen.
2. Das Staub-Absaugsystem einschalten.
3. Die Maschine starten.
4. Das Werkstück auflegen und mit geschlossenen Fingern führen. Das Werkstück bewegen um Schleifriefen zu reduzieren.



Halten Sie immer ausreichend Abstand zum bewegten Schleifband bzw. Schleifteller. Bei komplizierten Formen, Schablonen zum exakten und sicheren Führen herstellen. Lange Werkstücke durch Rollenböcke abstützen.

9.2 Absaug Anschluss

Die Maschine muss vor der Inbetriebnahme an eine Absaugung angeschlossen werden.

Der Absaugstutzen hat einen Durchmesser von 38mm (Abb. 9-1).

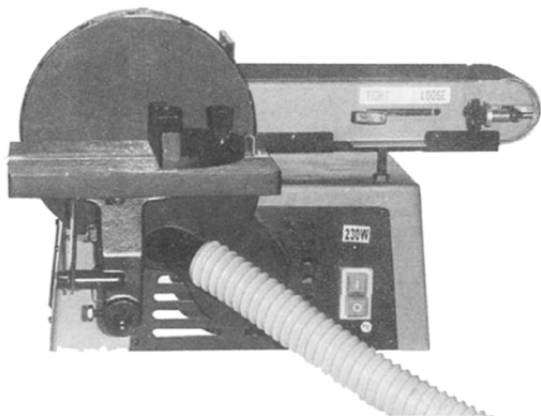


Abbildung9-1: Absaug Anschluss 38mm

9.3 Flächenschleifen

Werkstück an Bandanschlag stellen und gleichmäßig belasten.

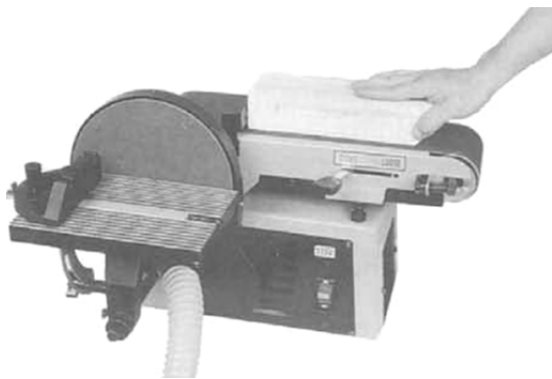


Abbildung9-2: Flächenschleifen

9.4 Kurvenschleifen

Für Kurvenschliffe den Schleifarm in die gewünschte Neigung stellen (Abb. 9-3).

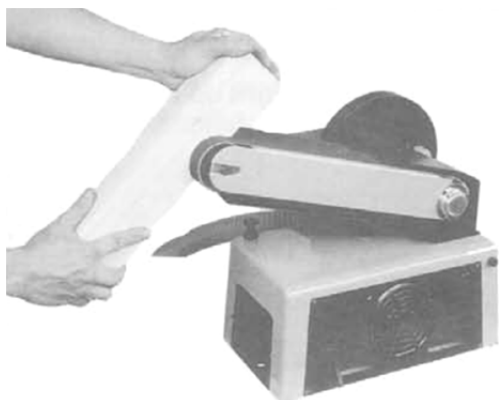


Abbildung9-3: Kurvenschleifen

9.5 Winkelschleifen

Den Auflagetisch in die gewünschte Gehrung stellen, das Werkstück auf den Tisch drücken und gleichzeitig gegen den Schleifteller schieben (Abb. 9-4).

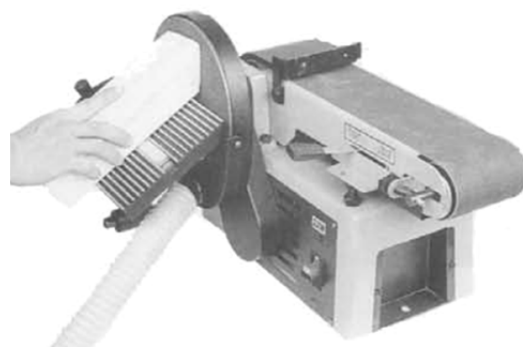


Abbildung9-4: Winkelschleifen

10.0 Wartung

⚠️ WARNUNG

Vor **Wartungsarbeiten an der Maschine** muss sie von der **Stromversorgung getrennt werden (Stecker abziehen)**. Bei **Nichtbeachtung** kann es zu **schwerwiegenden Verletzungen** kommen.

Überprüfen Sie das Tellerschleifpapier und das Schleifband regelmäßig auf Fehler. Tauschen Sie ein schadhafte Schleifmittel sofort aus. Prüfen Sie täglich die ausreichende Funktion der Absaugung.

Keilriemen auf richtige Spannung kontrollieren, evtl. ersetzen.

Die Maschine darf nur mit montierten Schutzabdeckungen in Betrieb genommen werden.

Beschädigte Sicherheitseinrichtungen sofort ersetzen.

Anschlüsse und Reparaturen der elektrischen Ausrüstung dürfen nur von einer Elektrofachkraft durchgeführt werden.

10.1 Reinigung

Reinigen Sie die Maschine in regelmäßigen Zeitabständen von angefallenem Schleifstaub.

10.2 Keilriemen ersetzen

Ein verschlissener Keilriemen muss ersetzt werden (siehe die Anweisungen in Abb. 10-2 bis Abb. 10-7).

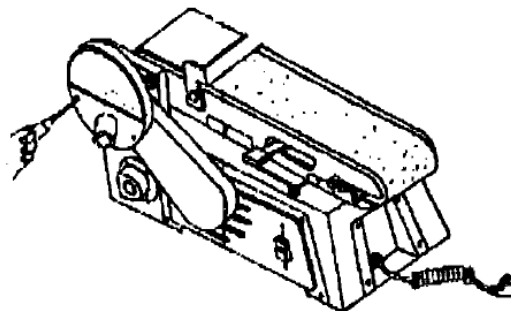


Abbildung 10-2: Den Schleiftellerschutz entfernen

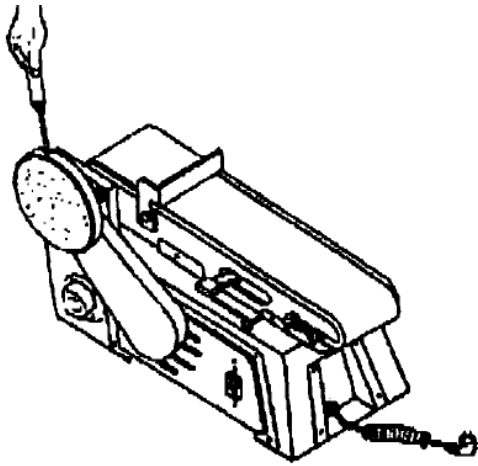


Abbildung 10-3: Den Schleifteller entfernen.

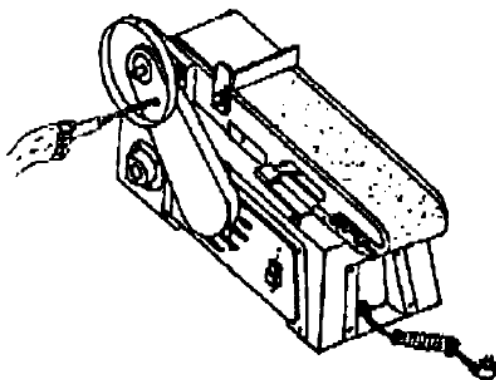


Abbildung 10-4: Den Keilriemenschutz lösen.

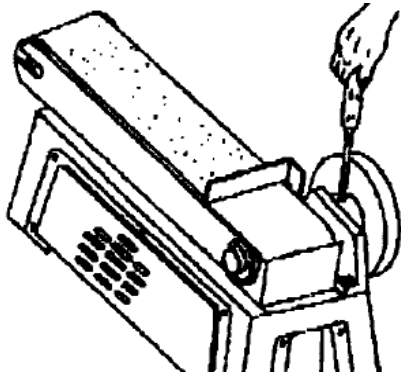


Abbildung 10-5: Den Keilriemenschutz entfernen

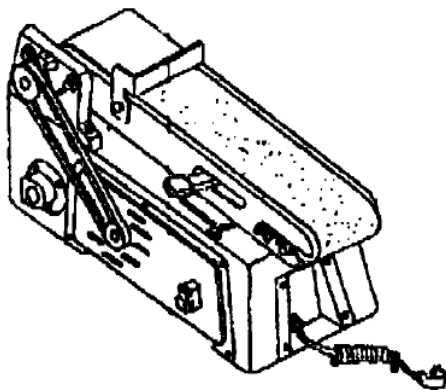


Abbildung 10-6: Neuen Keilriemen montieren.
Den Keilriemen spannen (siehe Kapitel 10.3).

Keilriemenschutz, Schleifteller und Schleiftellerschutz montieren.

⚠️ WARNUNG

Die Maschine darf nur mit montierten Schutzabdeckungen in Betrieb genommen werden.

10.3 Keilriemen spannen

Den Schleifarm in vertikale Position stellen.
Die Mutter (33, Abb. 10-1) lösen und mit der Schraube (32) die Keilriemenspannung einstellen. Drehen im Uhrzeigersinn (+) spannt den Keilriemen, drehen im Gegenuhrzeigersinn (-) löst den Keilriemen.
Nach korrekter Einstellung des Riemens die Mutter (33) festziehen.

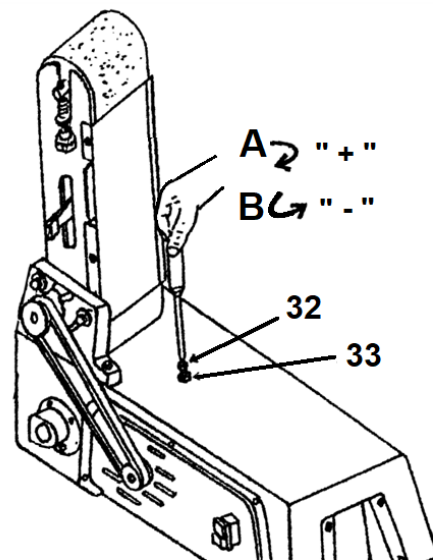


Abbildung 10-1: Keilriemen spannen

Alle Schutzabdeckungen sind nach der korrekten Einstellung wieder zu montieren!

10.4 Zusätzliche Wartung

Alle zusätzlich erforderlichen Wartungsarbeiten müssen von einem autorisierten Servicetechniker durchgeführt werden.

11.0 Schleifmittel

Das ausgewählte Schleifmittel hat großen Einfluss auf die Leistungsfähigkeit Ihrer Schleifmaschine. Papiertyp, Körnung, Streuung und Abriebfestigkeit tragen erheblich zur Oberflächengüte bei.

11.1 Schleifmittel auswählen

Es ist wichtig, die richtige Schleifmittel Körnung für die jeweilige Schleifarbeit auszuwählen.

Wie bei jedem Schleifprozess mit einer gröberen Körnung beginnen, danach nach und nach zu immer feineren Körnungen durcharbeiten. In Tabelle 2 sind

Anwendungszwecke für verschiedene Körnungen aufgeführt.

Die Materialabtragmenge ist ein wesentlicher Faktor bei der Auswahl der Körnung. Die Körnungen 36, 50 und 60 sind in erster Linie für Materialabtrag ausgelegt. Die Körnungen 120 bis 220 sind in erster Linie für Fertigschleifen.

Im Allgemeinen wird mit hochwertigen Schleifmitteln eine höhere Oberflächengüte mit weniger auffälligem Kratzmuster erzielt.

Hinweis: Zu feine Körnungen können das Holz so stark glätten bzw. polieren das Beizen nicht mehr gleichmäßig aufgenommen werden. Dies ist je nach Holzart unterschiedlich, Eichenholz beispielweise ist aufgrund seiner offenen Poren besonders anfällig.

11.2 Schleifmittel reinigen

Das Schleifband und den Schleifteller regelmäßig mit einem handelsüblichen Schleifbandreinigungsstift reinigen. Befolgen Sie dabei die Anweisungen des Herstellers. Auch die sich vom Stift ablösenden Reinigungspartikel vom Schleifmittel entfernen.

11.3 Tabelle für Schleifmittelauswahl

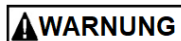
Körnung	Übliche Anwendung
36, 50, 60	Grobes Schleifen auf Maß, Entfernen von Klebstoffresten
80, 100	Leichte Oberflächenbearbeitung, nur geringer Materialabtrag.
120, 150	Schlicht-schleifen, minimaler Materialabtrag.
180, 220	Schlicht-schleifen, ohne Materialabtrag.

Tabelle 2

In einigen Fällen können stark zugesetzte Bereiche mit auf Kante gehaltenem Plexiglas entfernt werden.

⚠ VORSICHT Beim Reinigen von Schleifmittel stets einen Augen- und Staubschutz tragen. Vorsichtig vorgehen, zur Vermeidung des Kontakts der Hände und der Kleidung mit dem sich bewegenden Schleifmittel.

12.0 Störungsabhilfe JSG-223A-M



Vor jeder Reparatur- oder Wartungsarbeit muss die Maschine ausgeschaltet und von der Stromversorgung getrennt werden (Stecker abziehen). Bei Nichtbeachtung kann es zu schwerwiegenden Verletzungen kommen.

Symptom	Mögliche Ursache	Gegenmaßnahme *
Motor läuft nicht.	Netzsicherung defekt	Ersetzen der Sicherung.
	Spannung zu niedrig.	Netzleitung auf korrekte Spannung überprüfen.
	Defekter Ein-/ Ausschalter.	Die Maschine bei einer autorisierten Reparaturwerkstätte reparieren lassen.
	Defekter Kondensator	
	Defekter Motor.	
Maschine kommt nicht auf Touren.	Überlastung.	Druck des Werkstücks auf das Schleifband verringern.
	Looser Keilriemen.	Den Riemen spannen (siehe Kapitel 10.3).
Motor-Überhitzung.	Luftstrom durch den Motor eingeschränkt.	Motorlüfter mit Druckluft reinigen, um normale Luftzirkulation wieder herzustellen.
	Motor überlastet.	Schleifdruck verringern, eine gröbere Körnung verwenden.
Wiederholte, laute Geräusche oder Vibrationen aus der Maschine.	Gelockerte Befestigungselemente.	Befestigungselemente überprüfen und falls erforderlich festziehen.
	Motorlüfter schlägt gegen die Lüfterhaube.	Lüfter festziehen bzw. Abstand zur Lüfterhaube vergrößern.
	Maschine steht uneben, ist nicht korrekt nivelliert.	Die Schleifmaschine auf ebener Fläche aufstellen; bei Bedarf mit Beilegscheiben/Distanzstücken korrigieren.
Schleifband rutscht durch	Schleifband ist gedehnt.	Neues Schleifband auflegen.
	Anpressdruck zu kräftig.	Schleifdruck verringern. Werkstück beim Arbeiten bewegen.
Schleifband läuft nicht mittig auf den Rollen	Schleifband defekt	Das defekte Schleifband ersetzen
	Bandjustierung verstellt	Das Schleifband mittels Justiergriff (Pos. 26) ausrichten bis es genau in der Spur läuft.
Schleifband reißt wiederholt.	Schleifband falsch aufgelegt.	Bandlaufrichtung beachten.
Schleifband setzt sich vorzeitig zu.	Anpressdruck zu kräftig.	Werkstück beim Arbeiten bewegen.
	Staubabsaugung nicht effizient.	Absaugleistung erhöhen.
	Falsches, ungeeignetes Schleifmittel.	Schleifmittel mit offener Streuung verwenden.
Riefen im Schleifgut.	Werkstück wurde nicht bewegt.	Werkstück beim Arbeiten bewegen.
Brandmarken am Holz.	Schleifmittel hat sich zugesetzt.	Schleifmittel reinigen oder austauschen
	Zu großer Abtrag für feine Körnung.	Größere Körnung verwenden, Schleifdruck verringern.
	Schleifmittel ist abgenutzt.	Schleifmittel austauschen.

* **WARNUNG:** Einige Korrekturen und Abhilfemaßnahmen müssen u. U. von einem qualifizierten Elektriker durchgeführt werden.

Tabelle 3

FR - FRANÇAIS

Instructions de fonctionnement

Cher client,

Nous vous remercions pour la confiance que vous nous avez témoignée en achetant votre nouvelle machine JET. Ce manuel a été préparé pour le propriétaire et les opérateurs de la **ponceuse à disque et à bande JET JSG-233A-M** pour promouvoir la sécurité lors des procédures d'installation, de fonctionnement et de maintenance. Veuillez lire et comprendre les informations contenues dans ces instructions de fonctionnement et les documents accompagnant. Lisez attentivement ce manuel et suivez soigneusement les instructions pour obtenir la durée de vie et l'efficacité maximales de votre machine et pour l'utiliser en toute sécurité.

Table des matières

Chapitre	Page
1. Déclaration de conformité	29
2. Garantie	29
3. Sécurité	29
3.1 Usage autorisé	29
3.2 Consignes de sécurité générales	29
3.3 Autres dangers.....	30
3.4 Etiquettes et positions.....	30
4.0 Spécifications	31
5.0 Caractéristiques et terminologie.....	32
6.1 Contenu d'expédition	32
6.2 Outils nécessaires au montage	32
6.3 Montage du protecteur de la courroie	32
6.4 Montage du plateau de ponçage.....	33
6.5 Montage du protecteur du disque	33
6.6 Montage du protecteur de la bande	33
6.7 Montage de la table de travail.....	33
6.8 Montage sur l' établi	33
8.0 Réglages	34
8.1 Fonctionnement vertical	34
8.2 Changement de bande abrasive	34
8.3 Réglage du circuit de la bande.....	35
8.4 Changement papier abrasif du disque.....	35
8.5 Inclinaison de table.....	35
9.0 Fonctionnements	35
9.1 Procédure de fonctionnement de base	35
9.2 Collecte des poussières	35
9.3 Ponçage à plat	36
10.0 Entretien par l'utilisateur	36
10.1 Nettoyage	36
10.2 Remplacement de la courroie	36
10.3 Tension de la courroie	37
11.0 Abrasifs	37
11.1 Sélection des abrasifs	37
11.2 Nettoyage des abrasives.....	38
11.3 Guide de sélection d'abrasif	38
12.0 Dépannage de la ponceuse JSG-233A-M	39

1. Déclaration de conformité

Nous déclarons sous notre seule responsabilité que le produit est conforme aux réglementations listées à la page 2. Conçu en prenant compte des standards.

2. Garantie

TOOL France SARL garantit que le produit fourni est exempt de défauts matériels et de défauts de fabrication.

Cette garantie ne couvre pas les défauts qui sont causés, directement ou indirectement, par l'utilisation incorrecte, la négligence, les dommages accidentels, la réparation, la maintenance ou le nettoyage incorrects et l'usure normale.

Les détails sur la garantie (période de garantie par exemple) peuvent être trouvés dans les conditions générales (GTC) faisant partie intégrante du contrat. Ces conditions générales peuvent être consultées sur le site web de votre revendeur ou vous être envoyées sur demande.

TOOL France SARL se réserve le droit d'effectuer des changements sur le produit et les accessoires à tout moment.

3. Sécurité

3.1 Usage autorisé

Cette ponceuse est conçue pour poncer uniquement du bois et des matériaux similaires. Le ponçage d'autres matériaux est interdit et ne peut être réalisé que dans des cas très spécifiques, uniquement après concertation avec le fabricant.

La machine n'est pas adaptée au ponçage humide.

Le bon usage implique la conformité aux instructions de fonctionnement et de maintenance fournies dans ce manuel.

La machine ne doit être mise en marche que par des personnes familiarisées à son fonctionnement et son entretien et qui en connaissent également les risques.

L'âge minimal nécessaire doit être respecté.

La machine ne doit être utilisée que dans un parfait état de fonctionnement.

Lors du fonctionnement de la machine, tous les mécanismes de sécurité et couvercles doivent être montés.

Vous devez vous conformer aux règles techniques concernant le fonctionnement des machines à bois en plus des exigences de sécurité comprises dans ces instructions de fonctionnement et des réglementations applicables à votre pays.

Toute autre utilisation est strictement interdite. En cas d'usage non autorisé, le fabricant renonce à toute responsabilité qui est transférée à l'opérateur.

3.2 Consignes de sécurité générales

Les machines à bois peuvent être dangereuses si elles ne sont pas utilisées correctement. Par conséquent, les règles techniques générales ainsi que les consignes suivantes doivent être observées.

Lisez attentivement et comprenez tout le manuel d'instructions avant l'installation ou le fonctionnement.



Gardez les instructions de fonctionnement à proximité de la machine, à l'abri de la poussière et de l'humidité, et transmettez-les au nouveau propriétaire si vous vous séparez de l'outil.

Aucun changement ne doit être effectué sur la machine.

Contrôlez quotidiennement la fonction et l'existence des dispositifs de sécurité avant de démarrer la machine. Ne faites pas fonctionner dans le cas contraire ; protégez la machine en débranchant le cordon d'alimentation.

Avant de faire fonctionner la machine, retirez les cravates, les bagues, les montres et autres bijoux et retroussiez les manches jusqu'au-dessus des coudes. Enlevez tout vêtement ample et attachez les cheveux longs.

Portez des chaussures de sécurité ; ne portez jamais de sandales ou de chaussures de ville.

Portez toujours un équipement de travail conforme.

- lunettes de protection
- protection respiratoire
- protection contre la poussière



Ne portez pas de vêtements et des gants amples alors que vous utilisez cette machine.

Installez la machine de telle sorte qu'il y ait suffisamment d'espace pour la manipulation de la pièce et un fonctionnement sûrs.

Maintenez la zone de travail bien éclairée.

La machine est conçue pour fonctionner dans des espaces clos et doit être vissée de manière stable et sûre sur une surface de table ou sur un châssis de base.

Assurez-vous que le cordon d'alimentation n'entrave pas le travail et ne cause pas de glissades. Maintenez le sol autour de la machine propre et exempt de rebut, d'huile et de graisse.

Restez sur le qui-vive ! Concentrez-vous sur votre travail.

Faites preuve de bon sens. Ne faites pas fonctionner la machine lorsque vous êtes fatigué.

Gardez une position confortable. Gardez en permanence une posture équilibrée.

Ne faites pas fonctionner la machine sous l'emprise de drogues, d'alcool ou de tout médicament. Soyez conscient que les médicaments modifient votre comportement.

Ne touchez jamais la machine pendant son fonctionnement ou son arrêt.

Gardez les visiteurs et les enfants à une distance sécuritaire de la zone de travail.

Ne laissez jamais la machine fonctionner sans surveillance. Avant de quitter l'espace de travail, désactivez la machine.

Ne faites pas fonctionner l'outil électrique à proximité de gaz ou de liquides inflammables. Renseignez-vous sur les options d'alerte et de lutte d'incendie, par exemple l'emplacement et le fonctionnement de l'extincteur d'incendie.

N'utilisez pas la machine dans une décharge et ne l'exposez pas à la pluie.

La poussière de ponçage est explosive et peut présenter un risque pour votre santé. Utilisez toujours un dispositif d'extraction de poussière adapté.

Avant l'usinage, retirez les clous et autres corps étrangers de la pièce.

N'usinez que des morceaux maintenus en toute sécurité sur la table.

Les spécifications concernant la taille maximale ou minimale de la pièce doivent être respectées.

Ne retirez pas les copeaux et les éléments de pièce tant que la machine n'est pas mise à l'arrêt.

Ne vous tenez pas sur la machine.

Les travaux de réparation et de connexion sur l'installation électrique doivent être uniquement effectués par un électricien qualifié.

Remplacez immédiatement un cordon d'alimentation usé ou endommagé.

Réalisez tous les réglages de la machine ou la maintenance avec la machine débranchée de la source d'alimentation.

Protégez l'environnement. Mettez l'emballage au rebut en respectant les consignes environnementales.

Votre appareil contient des matériaux précieux pouvant être récupérés ou recyclés. Veuillez les laisser à un institut spécialisé.



Ce symbole indique une collecte séparée des équipements électriques et électroniques conformément à la directive DEEE (2012/19/UE). Cette directive n'est efficace que dans l'Union européenne.

3.3 Autres dangers

D'autres dangers subsistent lors de l'utilisation de la machine conformément aux réglementations.

La bande respectivement le disque abrasif en mouvement peut provoquer des blessures.

Risques de rebonds. La pièce est serrée par la bande respectivement le disque abrasive en mouvement et est renvoyée vers l'opérateur.

Des pièces projetées peuvent causer des blessures.

Le bruit et la poussière du ponçage peuvent altérer la santé. Portez un équipement de protection individuel comme des lunettes de protection et un masque anti-poussière. Utilisez un système d'aspiration des poussières adapté.

Des abrasifs de ponçage défectueux peuvent provoquer des blessures.

L'utilisation d'une source d'alimentation incorrecte ou d'un cordon d'alimentation endommagé peut provoquer des blessures par choc électrique.

3.4 Etiquettes et positions

- A: Avertissement de sécurité
- B: Direction de mouvement de la bande et du disque abrasif
- C: Tension de la bande et réglage de la course



Fig. A



Fig. B



Fig. C

Remarque: Les illustrations sont générales et peuvent ne pas montrer votre modèle de ponceuse particulier.

4.0 Spécifications

tableau 1

Numéro de modèle	JSG-233A-M
Moteur et électrique	
Moteur	Moteur à induction
Puissance	0,37 kW (0,5 CV)
Tension	1~230 V, PE, 50Hz
Intensité à pleine charge	3.8 A
Vitesse du moteur	2850 T/min
Intensité au démarrage	12 A
Condensateur démarrage	100µF, 125VAC
Interrupteur marche/arrêt	Commutateur magnétique
Cordon électrique	H05RN-F, 3x1.0 mm ²
Fusible et circuit recommandés/calibre du disjoncteur ¹	10 A
Niveau de pression acoustique (LpA, EN ISO 11202) 2	71 dB en marche à vide, 84 dB usinage
Disque abrasif	
Diamètre disque abrasif	200 mm
Vitesse de disque	1850 T/ min
Bande abrasive	
Dimensions de la bande, l x L	100 x 915 mm
Vitesse de bande	8 m/sec
Inclinaison du bras	0 – 90°
Table	
Dimensions de la table	225 x 115 mm
Inclinaison de la table	90° - 45°
Collecte de poussière	
Diamètre du port de poussière	38 mm
Volume d'extraction minimum requis	80 m ³ /h
Matériaux	
Corps	Fonte
Bras de la ponceuse	Acier
Plateau de disque	Aluminium
Table de ponçage	Aluminium
Dimensions	
Dimensions complètement assemblé (LxlxH)	350 x 450 x 500 mm
Dimensions d'expédition (LxlxH)	
Poids	
Poids net (environ)	26 kg
Poids d'expédition (environ)	

¹ Soumis aux codes de l'électricité nationaux et locaux.

² Les valeurs spécifiées sont des niveaux d'émission et ne doivent pas nécessairement être vues comme des niveaux de fonctionnement de sécurité. Comme les conditions de l'environnement de travail varient, cette information permet à l'utilisateur d'avoir une meilleure estimation des risques et des dangers que cela implique.

Les spécifications de ce manuel entrent en vigueur au moment de la publication, mais en raison de notre politique d'amélioration continue, JET se réserve le droit de modifier les spécifications à tout moment et sans préavis, sans aucune obligation de sa part.

5.0 Caractéristiques et terminologie

L'illustration ci-dessous montre les composants principaux et les caractéristiques de la ponceuse JSG-233A-M. Ceux-ci sont référencés dans tout le manuel et vous aideront à vous familiariser avec les fonctions et opération de la machine.

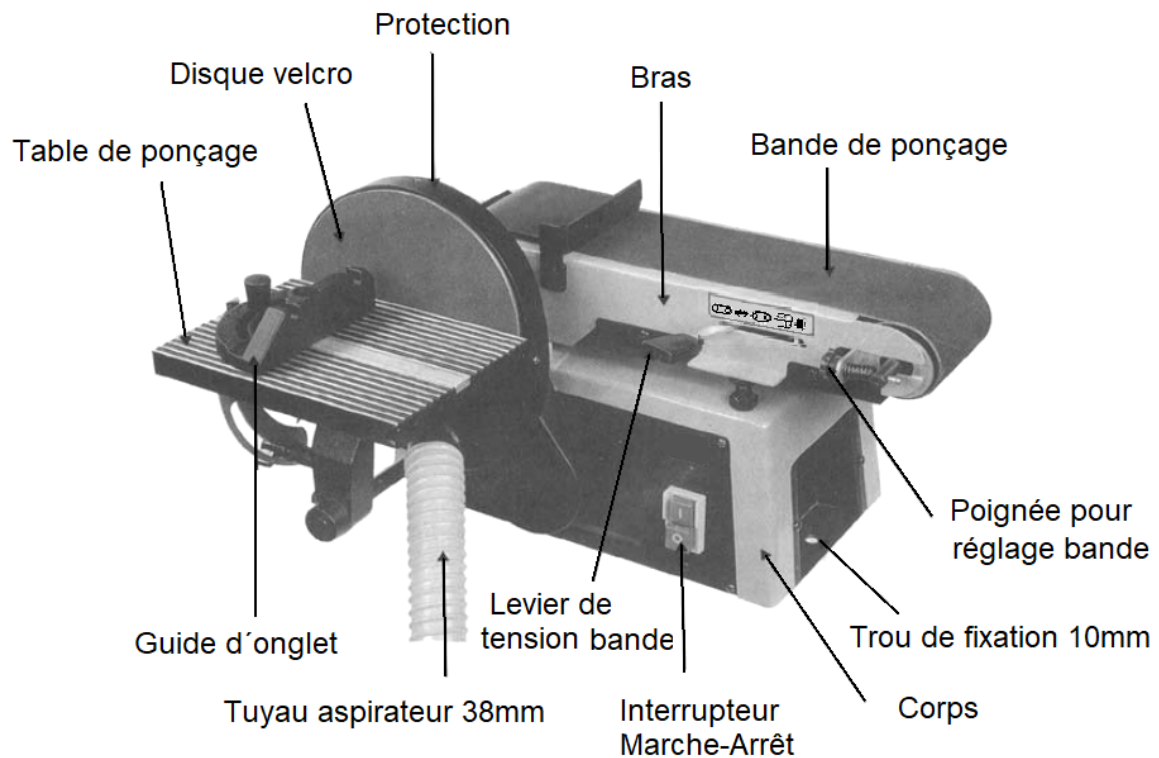


Figure 5-1 : Caractéristiques et terminologie

ATTENTION

Lisez attentivement et comprenez tout le manuel d'instructions avant l'installation ou le fonctionnement. Le non-respect de cette consigne peut provoquer des blessures graves.

6.0 Réglage et montage

Ouvrez la boîte et contrôlez si présence de dommages provoqués pendant l'expédition. Signalez immédiatement tout dommage à votre distributeur et agent d'expédition. Ne jetez pas le matériel d'expédition tant que la ponceuse n'est pas assemblée et qu'elle fonctionne correctement.

6.1 Contenu d'expédition

- 1 Ponceuse
- 1 Protection de courroie
- 1 Plateau de disque
- 1 Disque velcro
- 1 Protection de disque
- 1 Bande de ponçage
- 1 Table de ponçage
- 1 Guide d'onglet
- 1 Manuel d'instructions
- 1 Liste des pièces de rechange

6.2 Outils nécessaires au montage

- Un tournevis
- Une clé plate de 10mm (fourni)

Des outils supplémentaires peuvent être nécessaires pour les réglages ou le montage de la ponceuse sur un établi.

6.3 Montage du protecteur de la courroie

Installez le protecteur (A, Fig. 6-2) sur l'axe de la bande (B).

Fixez le protecteur avec une vis (59) selon figure.

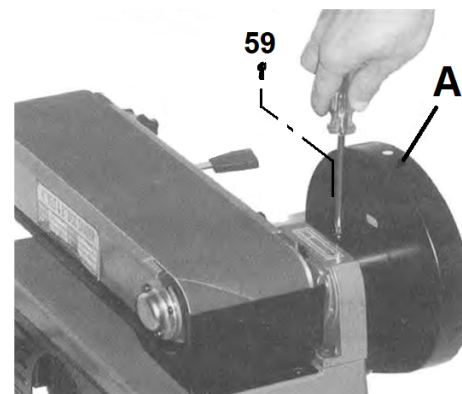


Figure 6-1: Montage du protecteur de la courroie

Utiliser la vis (87, Fig. 6-2) pour fixer le protecteur en sa partie inférieure.

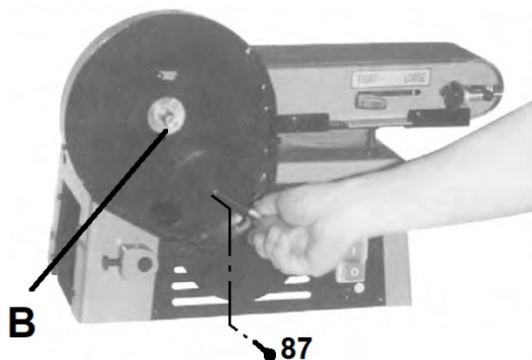


Figure 6-2: Fixation sur le corps.

6.4 Montage du plateau de ponçage

Positionnez le plateau des disques (C, Fig. 6-3) sur l'axe. Faites attention que le bout de l'axe ne touche pas la surface du disque.

Fixez le disque à l'aide de la vis (68).

Posez le disque abrasif velcro sur le plateau de ponçage et pressez-le contre.

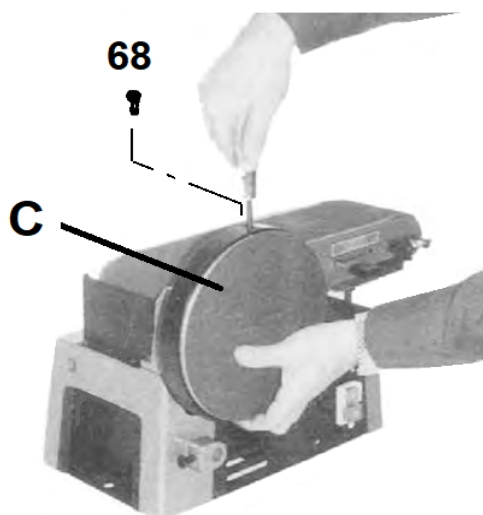


Figure 6-3: Montage du plateau de ponçage

6.5 Montage du protecteur du disque

Fixez le protecteur (D, Fig. 6-4) avec les deux vis (89).

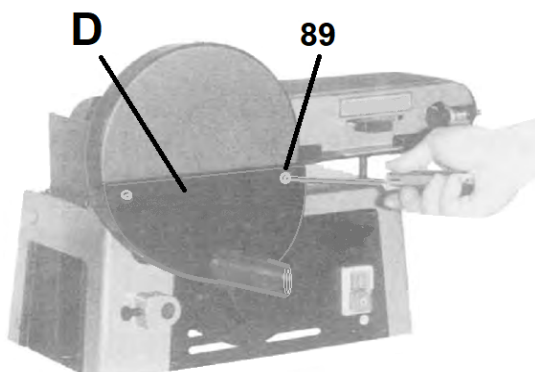


Figure 6-4: Montage du protecteur du disque

6.6 Montage du protecteur de la bande

Fixez le protecteur (E, Fig. 6-5) de la bande selon la figure avec la vis et rondelle (57, 58).

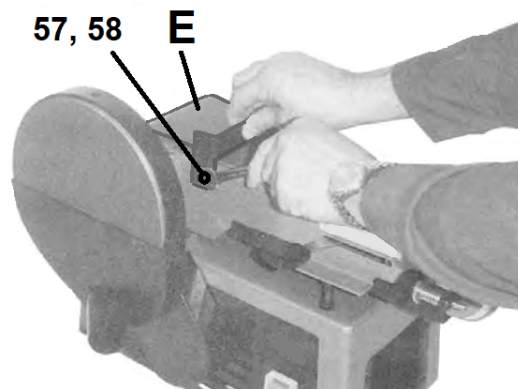


Figure 6-5: Montage du protecteur de la bande

6.7 Montage de la table de travail

Mettez l'arbre (69, Fig. 6-6) dans le trou de la carcasse de la machine et fixez-le avec la vis (35).

Positionnez la table (F) sur l'arbre et fixez-la également avec une vis.

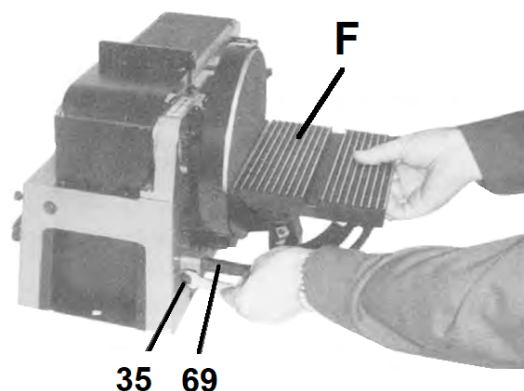


Figure 6-6: Montage de la table de travail

ATTENTION

Faites attention à ce que le disque velcro ne touche pas la table, ajustez-la à 1 mm de distance du disque velcro.

6.8 Montage sur l'établi

La machine doit être vissée sur un établi ou une table pour éviter qu'elle ne glisse pendant le fonctionnement. Il y a 2 trous dans la base de la machine, utilisez des attaches appropriées (non fournies).

7.0 Connexions électriques

ATTENTION

Toutes les connexions électriques doivent être effectués par un électricien qualifié

conformément aux ordonnances et codes locaux. Le non-respect de cette obligation peut causer de graves blessures.

La ponceuse a une voltage de 230 V. La ponceuse est livrée avec une prise conçue pour être branchée à une prise de terre

Il est recommandé que la ponceuse soit raccordée à un circuit dédié de 10 AMP avec un disjoncteur ou fusible. Si elle est raccordée à un circuit protégé par des fusibles, utilisez un fusible temporisé marqué "T".

Les codes locaux prévalent sur les recommandations.

8.0 Réglages



Faire tous les travaux de maintenance ou de réglage après avoir débranché la machine du réseau !

8.1 Fonctionnement vertical

Préparations pour le fonctionnement vertical :

1. Desserrez l'écrou (63, Fig. 8-1), positionner le bras (G) dans la position verticale. Montez la table. Réglez un angle de 90° entre la table et le bras. Resserrez l'écrou (63) pour fixer le bras.

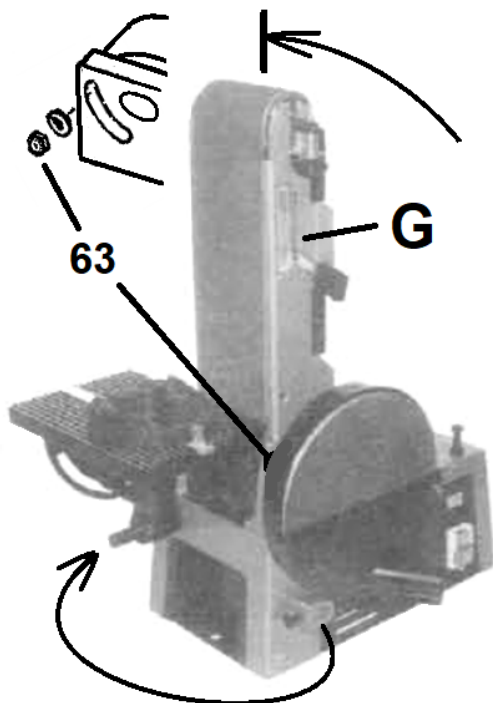


Figure 8-1: Fonctionnement vertical

2. Desserrez les 2 vis (92, Fig. 8-2) puis positionnez le porteur (H) de façon à ce qu'il touche le fond. Resserrez les vis.

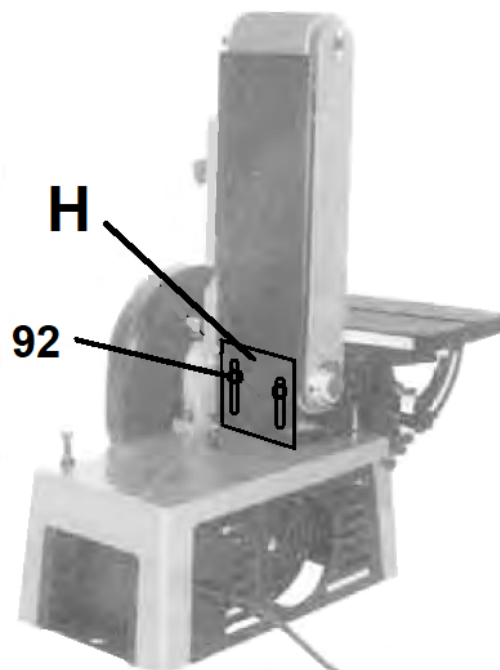


Figure 8-2: Positionnez le porteur

3. Réglez la table en l'ajustant à 90° par rapport à la bande abrasive (Fig. 8-3).

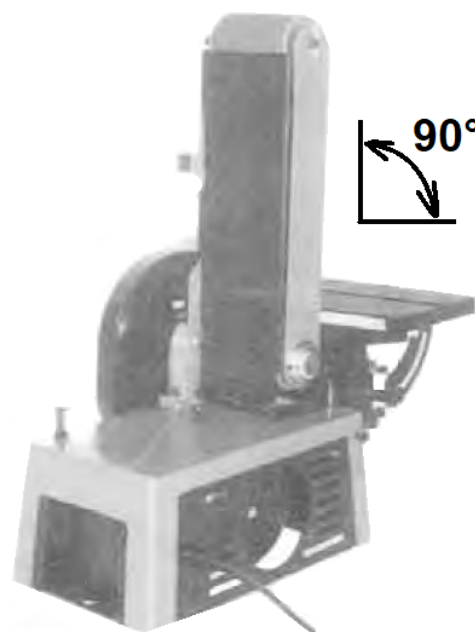


Figure 8-3: Réglez la table à 90°

8.2 Changement de bande abrasive

Déconnecter la machine du réseau.

Relâcher la tension de la bande en poussant la manette (29, Fig. 8-4).

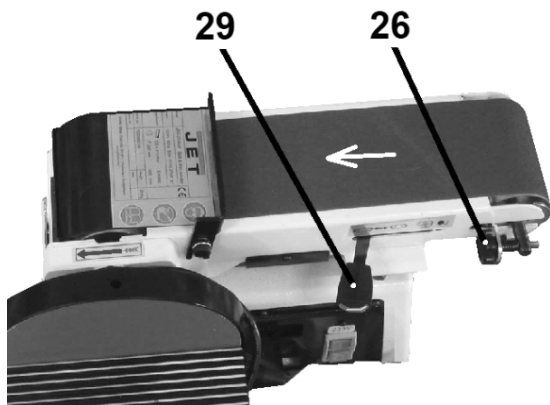


Figure 8-4: Changement de bande abrasive

Retirer avec précaution la bande usée.

Poser la nouvelle bande en respectant le sens indiqué. Tendre la bande.

Remarque :

Comme les bandes abrasives se détendent en fonctionnant, il se peut qu'un ajustage ultérieur soit nécessaire.

8.3. Réglage du circuit de la bande

La bande abrasive doit se trouver au centre du rouleau.

Corriger le circuit de la bande avec la vis de micro-réglage (26, Fig. 8-4).

Mettre plusieurs fois le moteur en marche par à-coups et vérifier le circuit de la bande.

8.4 Changement papier abrasif du disque

Déconnecter la machine du réseau.

Enlever la table de ponçuse.

Enlever le protecteur du disque (D, Fig. 6-4).

Retirer le papier abrasif usé.

Le nouveau papier abrasif doit être posé sur le disque très propre.

8.5 Inclinaison de table

Déconnecter la machine du réseau.

Pour un travail de précision 90° utiliser une équerre 90°.

Le mouvement de l'onglet doit être parallèle au disque de ponçage.

Desserrer légèrement la vis (78, Fig. 8-5) pour ajuster la parallèle.

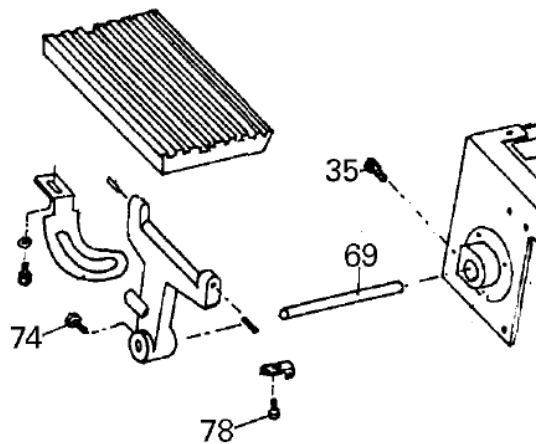


Figure 8-5: Réglez la table en parallèle au disque

9.0 Fonctionnements

Avant d'utiliser votre ponceuse, relisez-les parties précédentes concernant la configuration initiale et le réglage. Avant d'utiliser, assurez-vous que le bon système de collecte de poussière est raccordé

9.1 Procédure de fonctionnement de base

1. Réglez la table
2. Démarrez le système de collecte de poussière.
3. Démarrez la machine.
4. Placez et guidez la pièce avec les doigts fermés. Bouger la pièce à usiner en travaillant pour réduire les marques de ponçage

ATTENTION

Garder toujours suffisamment de distance à la bande abrasive, respectivement au disque abrasif pendant le travail.

Pour les formes compliquées, créer un gabarit pour un travail exact et sûr.

Poser les pièces longues sur un support à rouleaux

9.2 Collecte des poussières

Avant la mise en exploitation connecter la machine à un collecteur de poussières

La buse d'aspiration à un diamètre de 38 mm (Fig. 9-1)

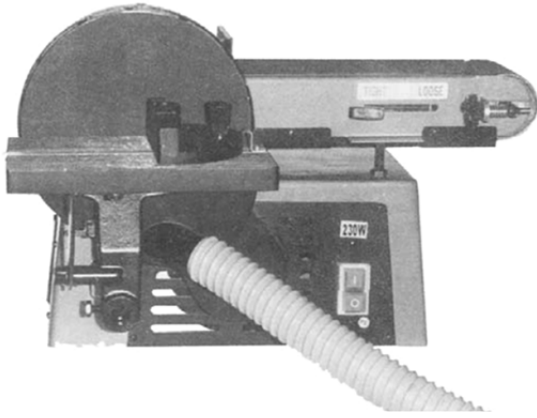


Figure 9-1: Collecte des poussières, dia. 38mm

9.3 Ponçage à plat

Posez la pièce à travailler contre la butée de la bande et exercez une pression uniforme.



Figure 9-2: Ponçage à plat

9.4 Ponçage d'arrondi

Inclinez le bras de la ponceuse à l'angle désiré (Fig. 9-3).



Figure 9-3: Ponçage d'arrondi

9.5 Ponçage angulaire

Inclinez la table de travail à l'angle désiré. Pressez la pièce à travailler sur la table et contre le disque de ponçage.

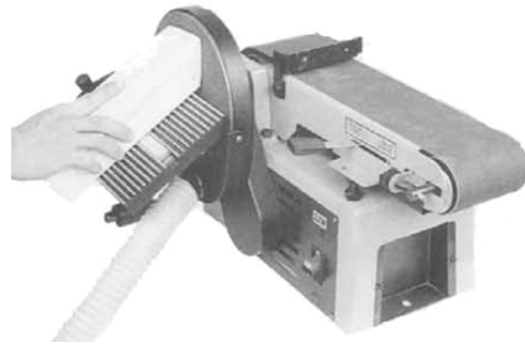


Figure 9-4: Ponçage angulaire

10.0 Entretien par l'utilisateur

⚠ ATTENTION

Avant d'effectuer l'entretien de la machine, débranchez-la de l'alimentation électrique (enlevez la prise), sauf mention contraire. Le non-respect de cette obligation peut causer de graves blessures.

Contrôler régulièrement la bande abrasive et le papier abrasif du disque. Remplacer immédiatement toutes pièces déchirées ou usées.

Vérifier chaque jour le fonctionnement impeccable du collecteur de poussières.

Vérifiez la tension de la courroie, remplacez-la si nécessaire.

Ne mettez jamais en marche la machine avant d'avoir remonté toutes les protections.

Remplacer immédiatement les dispositifs de protection endommagées ou usées.

Tous travaux de branchement et de réparation sur l'installation électrique doivent être exécutés uniquement par un électricien qualifié.

10.1 Nettoyage

Nettoyez la machine régulièrement de toute poussière et tous les copeaux qui s'y trouvent.

10.2 Remplacement de la courroie

Une courroie usée doit être remplacée (voir les instructions Fig. 10-2 à Fig. 10-7)

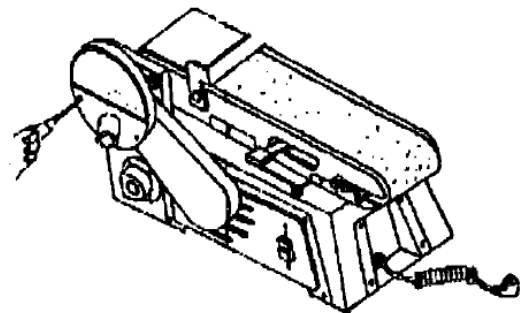


Figure 10-2: Enlevez le protecteur du disque

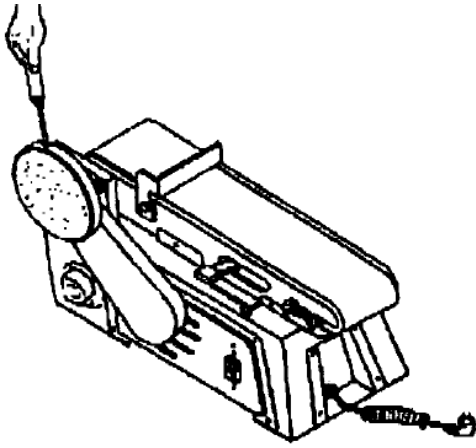


Figure 10-3: Démontez le plateau

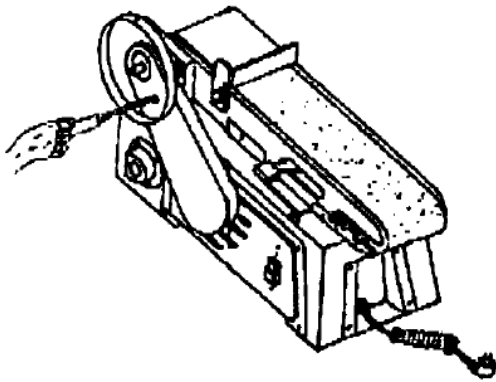


Figure 10-4: Démontez le protecteur de la courroie

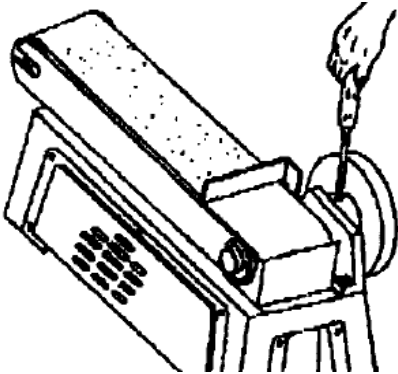


Figure 10-5: Démontez le protecteur de la courroie.

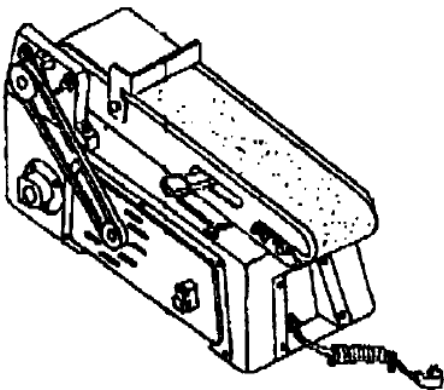


Figure 10-6: Montez la nouvelle courroie

Tendre la courroie (voir chapitre 10.3).

Installez le protecteur de la courroie, le plateau de ponçage et le protecteur du disque.

ATTENTION

Ne mettez jamais en marche la machine avant d'avoir remonté toutes les protections.

10.3 Tension de la courroie

Positionnez le bras en position verticale.

Desserrez l'écrou (33, Fig 10-1) et réglez la tension de la courroie à l'aide de la vis (32). Si vous tournez dans le sens des aiguilles d'une montre (+) vous tendez la courroie, si vous tournez dans le sens contraire (-) vous la détendez.

Quand la courroie est bien réglée, resserrez l'écrou (33).

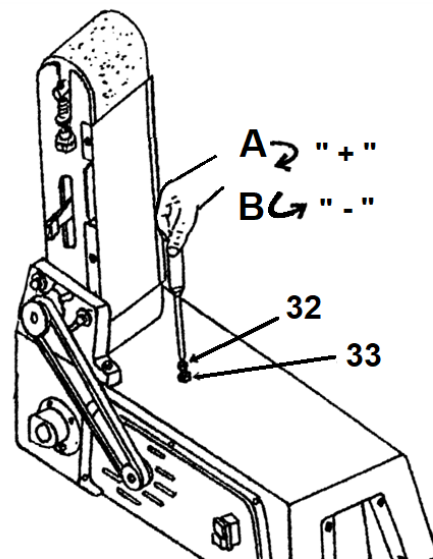


Figure 10-1: Tension de la courroie

N'oubliez pas de remettre toutes les protections après réglage.

11.0 Abrasifs

Le matériau abrasif que vous avez choisi aura un effet important sur la performance de votre ponceuse. Les variations au niveau du type de papier, poids, revêtement et durabilité contribueront à la réalisation de la finition souhaitée.

11.1 Sélection des abrasifs

Pour obtenir des résultats maximum, il est important de sélectionner un grain abrasif correct pour le type de ponçage à effectuer. Comme pour tout ponçage, commencez d'abord le ponçage avec un grain grossier, selon la rugosité du matériau ou de la quantité de matériau à enlever. Puis, travaillez progressivement avec des grains plus fins. Le tableau 2 ci-dessous montre l'utilisation générale des différents grains.

La quantité de matériau à enlever est un élément important dans le choix de la grosseur du grain avec lequel vous commencez. Les grains 36, 50 et 60 sont principalement désignés pour l'enlèvement de matière. Les grains 120 à 220 sont principalement des grains de finition.

En général, une excellente qualité d'abrasif réalisera une meilleure finition avec moins de dessins de rayures visibles.

Remarque : Les grains qui sont trop fin peuvent parfois brunir le bois et laisser une surface brillante empêchant un décapage uniforme. Cela peut varier en fonction du type de bois. Le chêne par exemple, est susceptible de brunir car il a des pores ouverts.

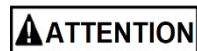
11.2 Nettoyage des abrasives

Nettoyez régulièrement la bande abrasive et le papier abrasif du disque avec des bâtonnets de

nettoyage vendus dans le commerce tout en suivant les instructions du fabricant.

Lors du nettoyage, brossez également les résidus du bâtonnet.

Dans certains cas, des zones fortement contaminées peuvent être nettoyées avec l'aide d'un bord en plexiglas.



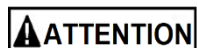
Portez toujours des lunettes de protection pendant que vous nettoyez des abrasives et prenez toutes les précautions pour éviter le contact de vos mains ou vêtement avec l'abrasif en rotation.

11.3 Guide de sélection d'abrasif

Grain	Application commune
36, 50, 60	Surfaçage de bois fortement déformés, enlèvement maximal de matière, enlèvement de colle.
80, 100	Dimensionnement léger, suppression d'ondulations au rabot.
120, 150	Surfaçage léger, suppression minimale de matériau.
180, 220	Ponçage de finition seulement, pas pour la suppression de matériau.

Tableau 2

12.0 Dépannage de la ponceuse JSG-233A-M



Avant d'effectuer tout travail de réparation ou l'entretien de la machine, débranchez-la de l'alimentation électrique (enlevez la prise). Le non-respect de cette obligation peut causer de graves blessures.

Symptôme	Cause possible	Correction *
Le moteur ne fonctionne pas.	Fusible de secteur défectueux	Remplacez le fusible.
	Basse tension	Vérifiez si tension correcte de la ligne de courant
	Interrupteur marche/arrêt défectueux.	Portez la machine dans un atelier.
	Condensateur défectueux	
	Moteur défectueux.	
La machine ne prend pas ses tours.	Surcharge.	Donnez moins de pression sur la pièce à travailler.
	Courroie lâche..	Tendez la courroie correctement (chapitre 10.3).
Moteur en surchauffe.	Circulation de l'air à travers moteur restreinte.	Nettoyez le ventilateur du moteur avec de l'air comprimé pour rétablir une circulation d'air normale
	Moteur surchargé	Donnez moins de pression sur la pièce à travailler, utilisez un grain grossier.
Bruit répétitif, fort ou vibrations venant de la machine.	Fixations desserrées.	Vérifiez les fixations et resserrez si nécessaire.
	Le ventilateur du moteur cogne le couvercle.	Serrez le ventilateur ou calez le couvercle du ventilateur.
	Machine pas à niveau.	Placez la ponceuse sur un sol plan ; calez-la si nécessaire.
Bande abrasive patine	Bande abrasive trop lâche	Remplacez la bande
	Trop de pression sur la pièce.	Bouger la pièce à usiner en travaillant..
Bande ne tourne pas correctement sur les rouleaux	Bande défectueuse	Remplacez la bande
	Ajustage de bande dérégulé	Alignez la bande à l'aide de la poignée de réglage (pos. 26).
Bande se déchire plusieurs fois	Mauvais montage de la bande-fois	Vérifier le sens de la bande.
L'abrasif charge prématurément.	Trop de pression sur la pièce.	Bouger la pièce à usiner en travaillant..
	Collecte de poussière inadaptée.	Augmentez le débit d'air au port de poussière.
	Abrasif inadapté.	Utilisez un abrasif à couche ouverte.
Ligne ou strie sur le matériau	Pièce à usiner est restée immobile	Bouger la pièce en travaillant.
La ponceuse brûle le bois.	L'abrasif est chargé.	Nettoyez ou remplacez l'abrasif.
	Profondeur de coupe excessif pour grain fin.	Utilisez un grain grossier ou réduisez la profondeur de coupe.
	L'abrasif est usé.	Remplacez l'abrasif.

* **ATTENTION:** Certaines corrections doivent être effectuées par un électricien qualifié.

Tableau 3



TOOL FRANCE SARL
9 Rue des Pyrénées,
F-91090 LISSES, France