



## Parts Lists for the 3PGH Series Lathes

Chuck.

10" - 3 jaw C-X05

12" 4 jaw C-K72315 / D8

16" 4 jaw C-X0F

# Important Information

**1 YEAR  
LIMITED WARRANTY**

**JET offers a one year limited  
warranty on this product**

## REPLACEMENT PARTS

Replacement parts for this tool are available directly from JET Equipment & Tools. To place an order, call 1-800-274-6848. Please have the following information ready:

1. Visa, MasterCard, or Discover Card number
2. Expiration date
3. Part number listed within this manual
4. Shipping address other than a Post Office box.

## REPLACEMENT PART WARRANTY

JET Equipment & Tools makes every effort to assure that parts meet high quality and durability standards and warrants to the original retail consumer/purchaser of our parts that each such part(s) to be free from defects in materials and workmanship for a period of thirty (30) days from the date of purchase.

## PROOF OF PURCHASE

Please retain your dated sales receipt as proof of purchase to validate the warranty period.

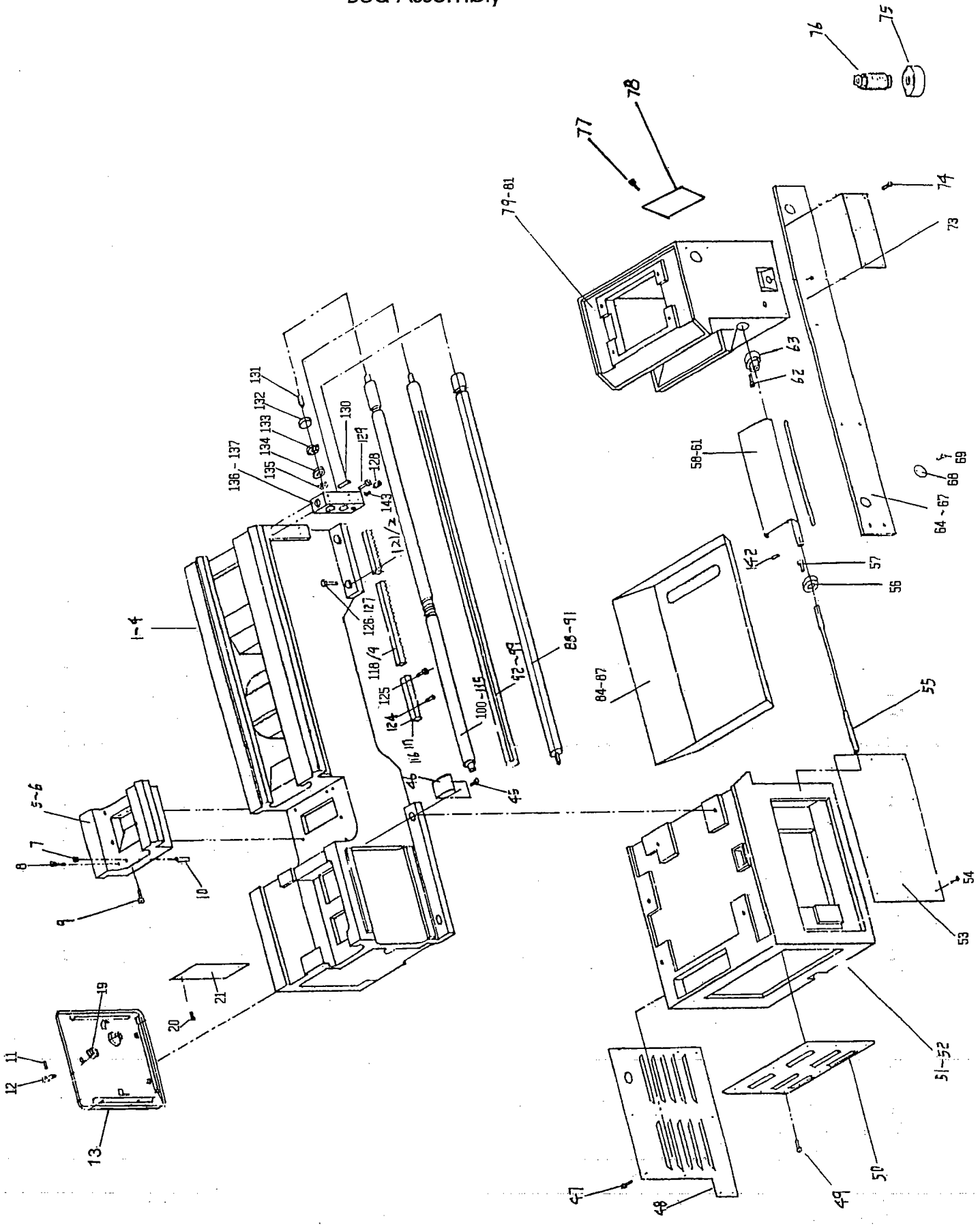
## LIMITED TOOL AND EQUIPMENT WARRANTY

JET makes every effort to assure that its products meet high quality and durability standards and warrants to the original retail consumer/purchaser of our products that each product be free from defects in materials and workmanship as follows: 1 YEAR LIMITED WARRANTY ON THIS JET PRODUCT. Warranty does not apply to defects due directly or indirectly to misuse, abuse, negligence or accidents, repairs or alterations outside our facilities or to a lack of maintenance. JET LIMITS ALL IMPLIED WARRANTIES TO THE PERIOD SPECIFIED ABOVE FROM THE DATE THE PRODUCT WAS PURCHASED AT RETAIL. EXCEPT AS STATED HEREIN, ANY IMPLIED WARRANTIES OR MERCHANTABILITY AND FITNESS ARE EXCLUDED. SOME STATES DO NOT ALLOW LIMITATIONS ON HOW LONG THE IMPLIED WARRANTY LASTS, SO THE ABOVE LIMITATION MAY NOT APPLY TO YOU. JET SHALL IN NO EVENT BE LIABLE FOR DEATH, INJURIES TO PERSONS OR PROPERTY OR FOR INCIDENTAL, CONTINGENT, SPECIAL OR CONSEQUENTIAL DAMAGES ARISING FROM THE USE OF OUR PRODUCTS. SOME STATES DO NOT ALLOW THE EXCLUSION OR LIMITATION OF INCIDENTAL OR CONSEQUENTIAL DAMAGES, SO THE ABOVE LIMITATION OR EXCLUSION MAY NOT APPLY TO YOU. To take advantage of this warranty, the product or part must be returned for examination, postage prepaid, to an authorized service station designated by our Auburn office. Proof of purchase date and an explanation of the complaint must accompany the merchandise. If our inspection discloses a defect, JET will either repair or replace the product or refund the purchase price, if we cannot readily and quickly provide a repair or replacement, if you are willing to accept such refund. JET will return repaired product or replacement at JET's expense, but if it is determined there is no defect, or that the defect resulted from causes not within the scope of JET's warranty, then the user must bear the cost of storing and returning the product. This warranty gives you specific legal rights, and you have other rights which vary from state to state.

## Table Of Contents

Bed Assembly.....	1- 3
Brake Assembly.....	4- 6
Headstock Assembly.....	7-14
Headstock Control Assembly.....	15-19
Change Gear Assembly .....	20-21
Quick Change Gear Box.....	22-25
Quick Change Gearbox Control.....	27-29
Apron Assembly.....	30-36
Apron Stop Assembly .....	37-38
Crossfeed Assembly .....	39-42
Taper Attachment Assembly .....	45-46
Four Way Toolpost Assembly.....	47-48
Tailstock Assembly.....	49-51
Faceplate Assembly .....	52-53
Coolant Assembly .....	54-55
Steady Rest Assembly .....	56-57
Follow Rest Assembly .....	58-59
Backsplash Assembly.....	60-61
Coolant/Work Light Assembly .....	62-63
Carriage Stop Assembly.....	64-65
Thead Cutting Dial Assembly.....	66-67
Electrical Schematic.....	68-71

# Bed Assembly



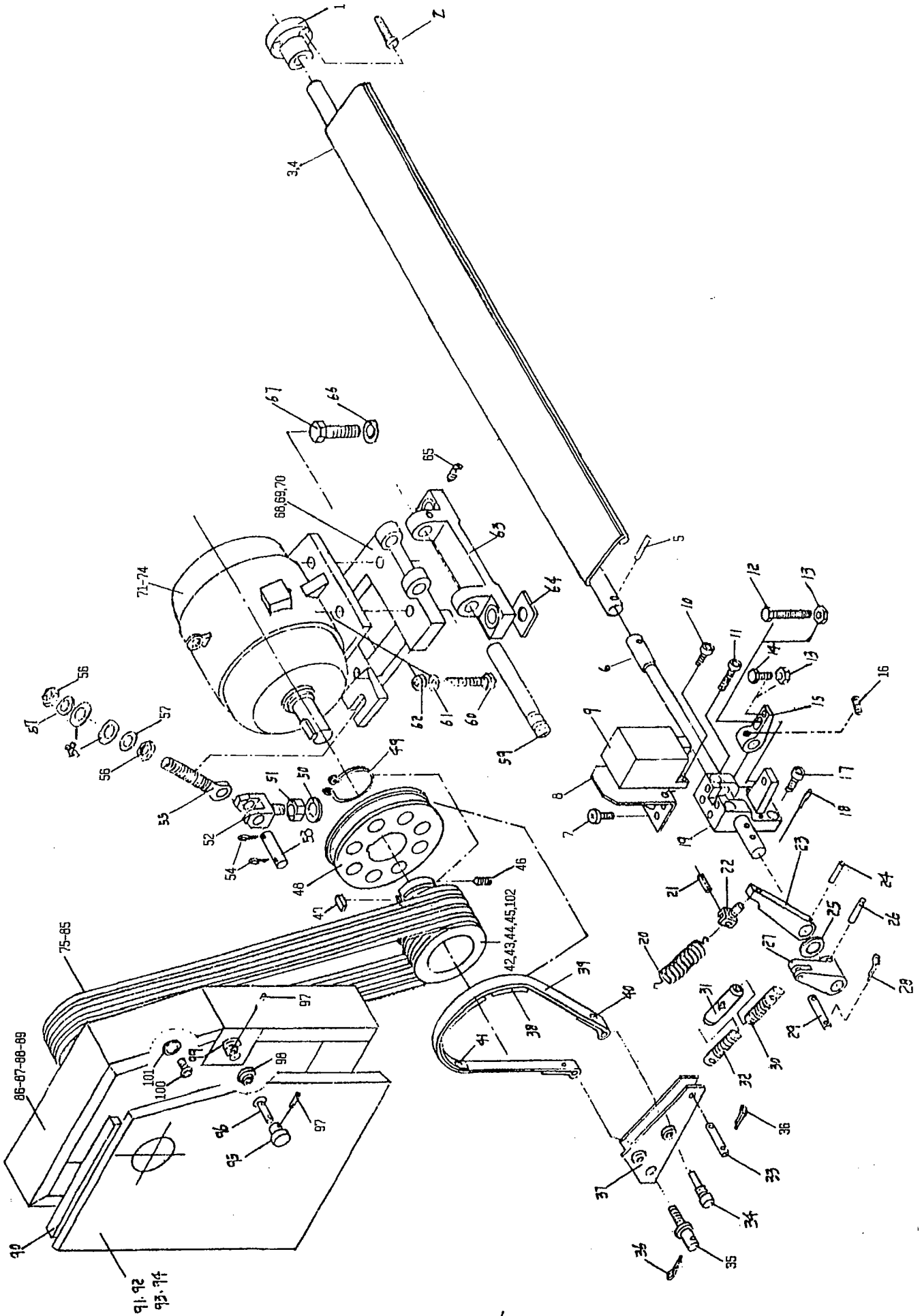
## Parts List for the 3PGH Series lathes

### Bed Assembly

Index No.	Part No.	Description	Size	Qty.
1-4	C-0650171	Bed	40"	1
	C-0660181	Bed	60"	1
5	C-0630211	Gap (long)		1
6	C-0160213	Gap (short)		1
7	C-Q56-1	Plug	B20N6	2
8	TS-1510071	Hex Socket Cap Screw	M16x70	6
9	TS-1510051	Hex Socket Cap Screw	M16x50	4
10	C-GB117-76-1660	Pin	16x60	2
11	C-GB117-76-0425	Pin	4x25	1
12	C-0111911	Small Shaft		1
13	C-0111831	Steel Cover		1
19	C-Q73-2	Door Button		1
20	C-GB867-76-01	Rivet	2x4	4
21	C-0111790	Lubrication Label		1
45	TS-1504021	Hex Socket Cap Screw	M8x12	2
46	C-0111921	Shield		1
47	C-GB818-76	Pan Head Screw	M5x8	10
48	C-0110902	Rear Cover		1
49	C-GB818-76	Pan Head Screw	M5x8	8
50	C-0110911	Side Cover		1
51-52	C-0670190	Front Bed Leg		1
53	C-0110881	Front Cover		1
54	C-GB818-76	Pan Head Screw	M5x8	10
55	C-0110252	Turning Shaft		1
56	C-0110241	Flange		1
57	TS-1503051	Hex Socket Cap Screw	M6x20	2
58-61	C-0540633	Brake Pedal (40" bed)		1
	C-0550643	Brake Pedal (60" bed)		1
62	TS-1503071	Hex Socket Cap Screw	M6x30	3
63	C-0110232	Flange		1
64-67	C-0541712	Apron (40" bed)		1
	C-0551722	Apron (60" bed)		1
68	C-0111680	Cover		4
69	TS-1534032	Pan Head Screw	M6x10	4
73	C-0111931	Jet Plaque		1
74	C-GB867-76-02	Rivet	2x6	2
75	C-0571963	Spacer		4
76	C-0571952	Screw		4
77	GB818-76	Screw	M5*8	8
78	C-0620920	Cover		1
79-81	C-0620200	Rear Bed Leg		1
84-87	C-0540801	Drip Pan (40" bed)		1
	C-0550811	Drip Pan (60" bed)		1
88-91	C-0540490	Control Rod (40" bed)		1
	C-0550500	Control Rod (60" bed)		1
92-99	C-0320451	Feed Rod (40" bed)		1
	C-0340461	Feed Rod (60" bed)		1

100/15	C-0460401	Leadscrew (40" bed)	1
	C-0470421	Leadscrew (60" bed)	1
116/7	C-0480100	Rack	1
118/9	C-0480200	Rack	1
121/2	C-0490100	Rack	1
123	C-0490200	Rack(60" bed)	1
124	C-GB118-76-0845	Taper Pin	8x45 8
125	TS-1504061	Hex Socket Cap Screw	M8x30 11
126	TS-1495011	Hex Cap Bolt	M20x50 8
127	TS-1495031	Hex Cap Bolt	M20x70 8
128	C-GB78-76-2025	Set Screw	M20x25 1
129	TS-1506131	Hex Socket Cap Screw	M12x80 4
130	C-GB118-76-1035	Taper Pin	10*35 2
131	C-GB78-76-1012	Screw	M10x12 1
132	C-Q56-1-01	Plug	B42N6 1
133	SBA-0133	Bearing	1
134	C-0282150	Plug	1
135	C-GB894-76-20	C-Ring	20 1
136/7	C-0280220	Rear Bracket	1
142	C-GB117-76-1025	Pin	10*25 1
143	TS-1524051	Set Screw	1

# Brake Assembly



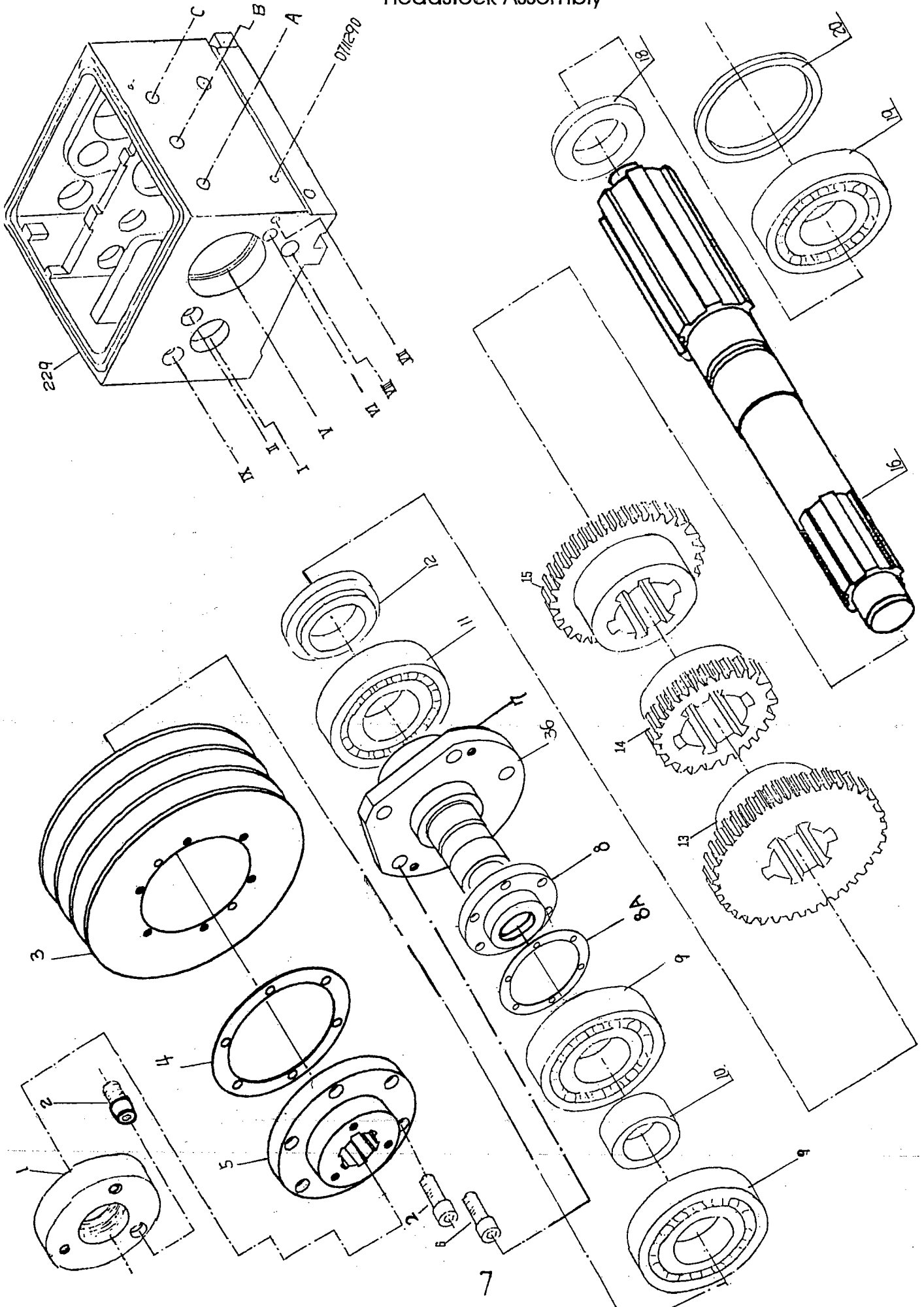
## Brake Assembly

1	C-0110232	Flange		1
2		Screw (not for JET lathes))		3
3-4	C-0540633	Brake Pedal (40" bed)		1
	C-0550643	Brake Pedal (60" bed)		1
5	C-GB118-76	Taper Pin		1
6	C-0110252	Shaft		1
7	TS-1534042	Pan Head Screw	M6x12	4
8	C-0111530	Switch Mounting Plate		1
9	C-JLXK-411	Switch		1
10	TS-1503031	Hex Socket Cap Screw	M6x12	2
11	TS-1503091	Hex Socket Cap Screw	M6x40	2
12	C-0111460	Screw		1
13	TS-1540061	Nut	M8	1
14	TS-1490021	Hex Cap Bolt	M8x16	1
15	C-0111470	Lever		1
16	TS-1534031	Set Screw	M8x12	1
17	TS-1504051	Hex Socket Cap Screw	M8x25	4
18	C-GB117-76-0825	Pin	M8x25	2
19	C-0111452	Base		1
20	C-Q81-3A	Spring		1
21	C-GB117-76-0612	Pin	6*12	1
22	C-0111520	Spring Base		1
23	C-0111501	Draw Rod		1
24	C-GB117-76-0632	Pin	6x32	1
25	C-0111510	Washer		1
26	C-GB117-76-0628	Pin	6x28	1
27	C-0111482	Swing Lever		1
28	C-GB91-76-01	Split Pin	2.5x10	2
29	C-0111580	Shaft		1
30	C-0111491	Worm		1
31	C-0111442	Screw Lever		1
32	C-0111561	Worm		1
33	C-0111570	Shaft		1
34	C-0111402	Worm		1
35	C-0111392	Shaft		1
36	C-GB91-76-02	Split Pin	3x16	2
37	C-0111410	Foot Pedal Linkage		1
38	C-0111372	Brake Band		1
39	C-0111382	Steel Band		1
40	C-GB867-76-04	Rivet	8*6	2
41	C-GB869-76	Bolt		2
42-45	C-4142110	Pulley		1
46	C-GB78-76-1225	Set Screw	M12x25	1
47	KEY8820	Key	8x20	1
48	C-4010922	Brake Plate		1
49	C-GB894-76-80	C-Ring	80	1
50	TS-1550111	Washer	M20	1
51	TS-1540221	Nut	M20	1
52	C-4011331	Bolt		1
53	C-4011321	Shaft		1
54	C-GB91-76-03	Split Pin	3x40	2
55	C-4011311	Bolt		1

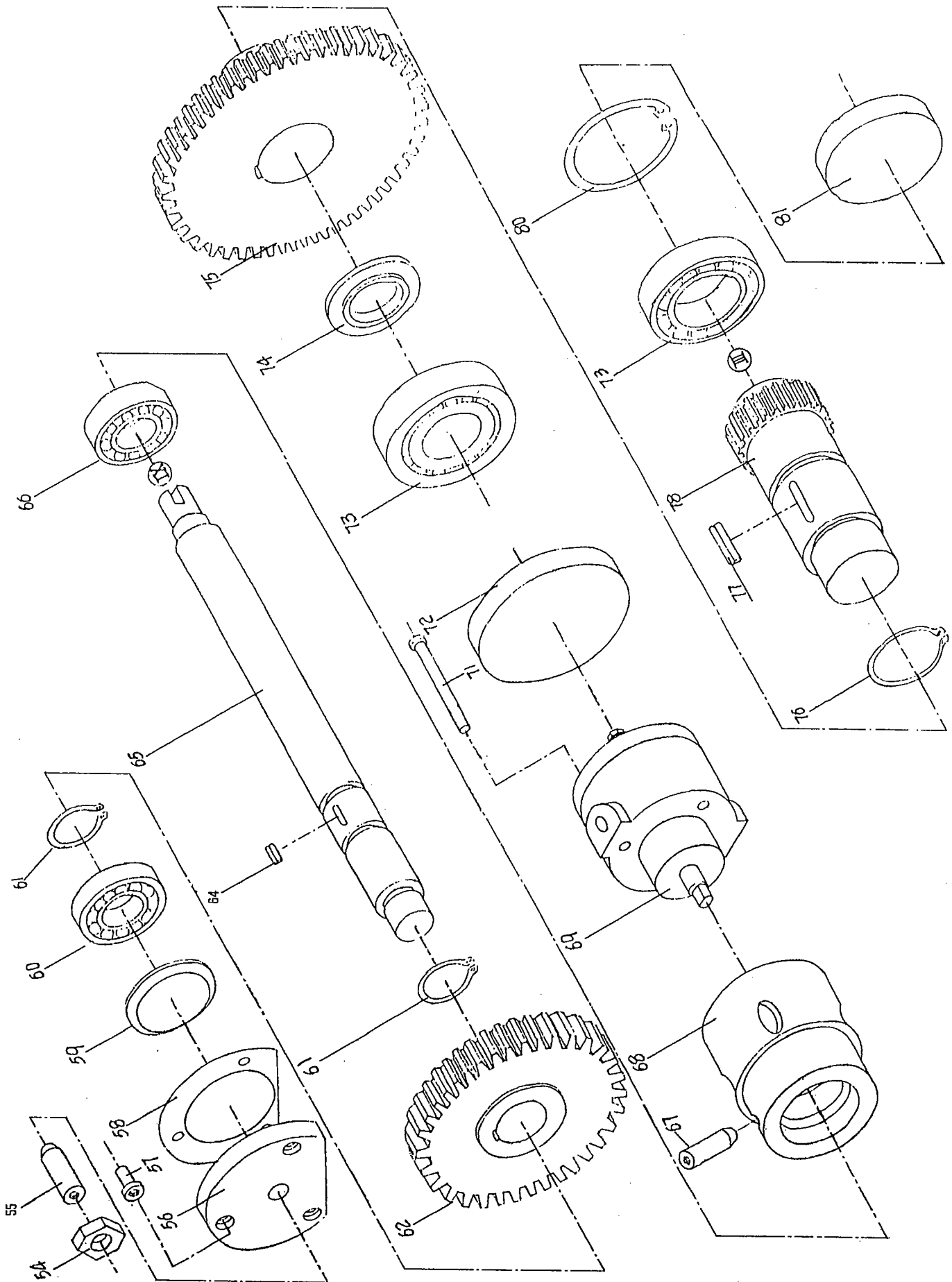


56	TS-1540221	Nut	M20	2
57	TS-1550111	Washer	M20	2
58	C-GB97-76	Washer	B20	1
59	C-4011361	Shaft		1
60	C-GB21-76	Hex Cap Bolt	M12x16	1
61	TS-1561061	Lock Washer	M12	1
62	TS-1540081	Nut	M12	1
63	C-4011351	Support		1
64	C-4011341	Washer		2
65	TS-1525041	Set Screw	M10x20	1
66	C-GB97-76	Washer	B20	4
67	TS-1495021	Hex Cap Bolt	M20x60	4
68-70	C-4042110	Motor Bracket		1
71-74	C-Y132S-4	Motor		1
75-85	VB-B59	V-Belt (1440)		1
	VB-B71	V-Belt (1660)		1
	VB-B76	V-Belt (1860)		1
86-89	C-4071181	Gear Cover Body (1440)		1
	C-4081191	Gear Cover Body (1660)		1
	C-4091201	Gear Cover Body (1860)		1
90	C-A8601	Wool Felt Gasket		1
91-94	C-4070960	Gear Cover Door (1440)		1
	C-4080970	Gear Cover Door (1660)		1
	C-4090980	Gear Cover Door (1860)		1
95	C-Z64-1	Lever		1
96	C-4010950	Shaft		1
97	C-GB117-76-0318	Pin	3x18	2
98	C-Z91-2	Insert Ring		1
99	C-Q73-2	Door Button		1
100	TS-1504021	Hex Socket Cap Screw	M8x12	6
101	TS-1550061	Washer	M8	6
102	C-4022110	Pulley (not on JET lathes)		1

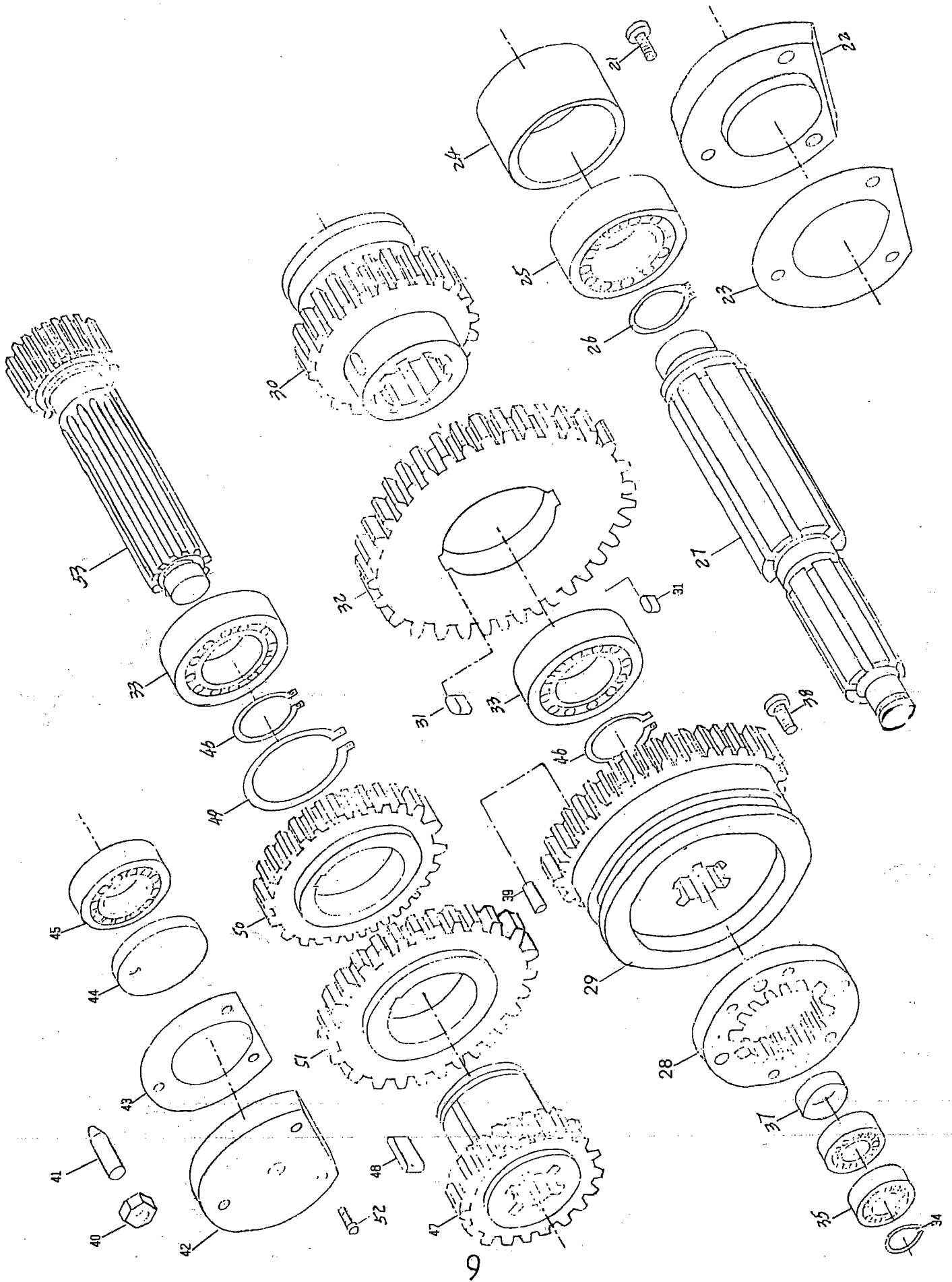
# Headstock Assembly



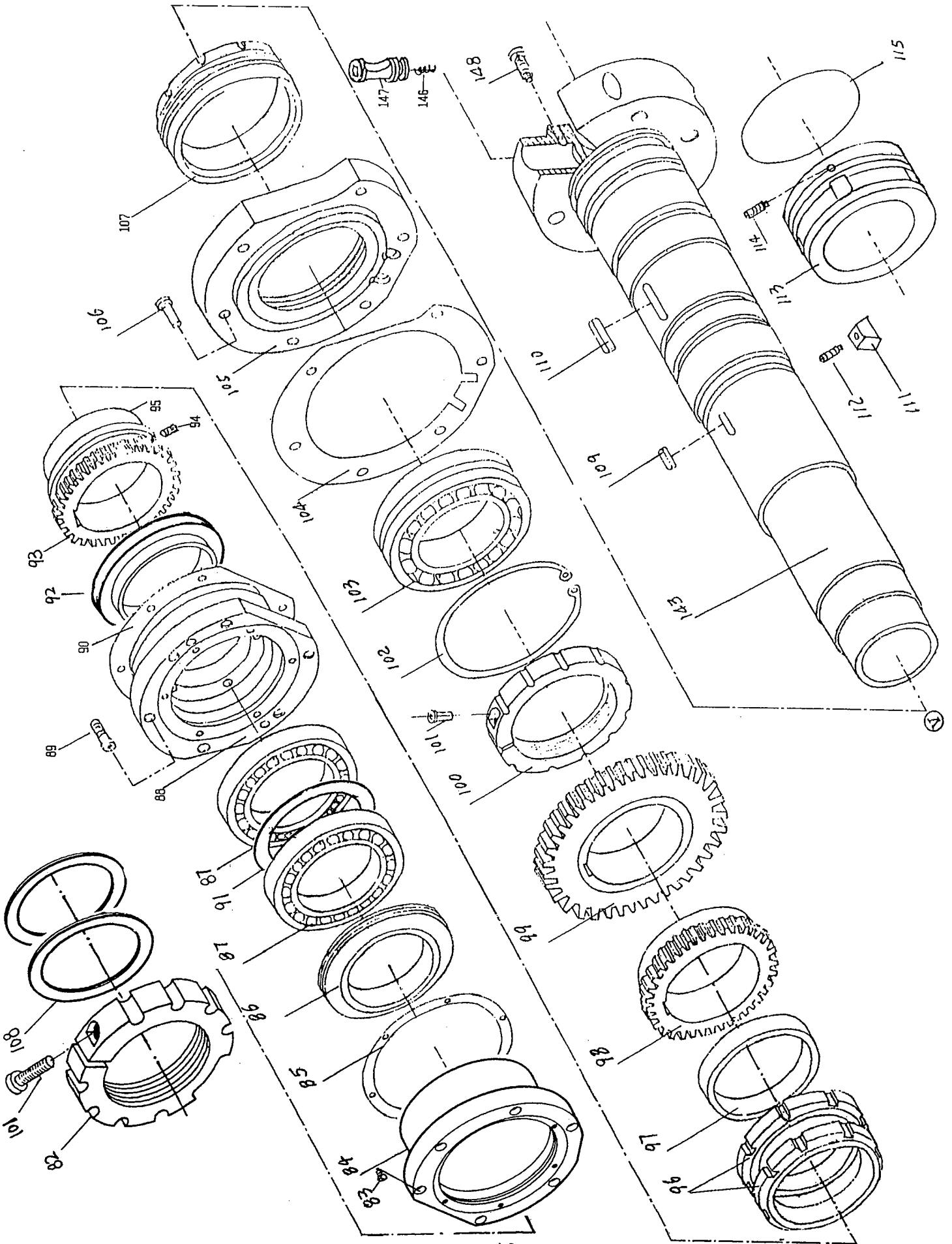
# Headstock Assembly



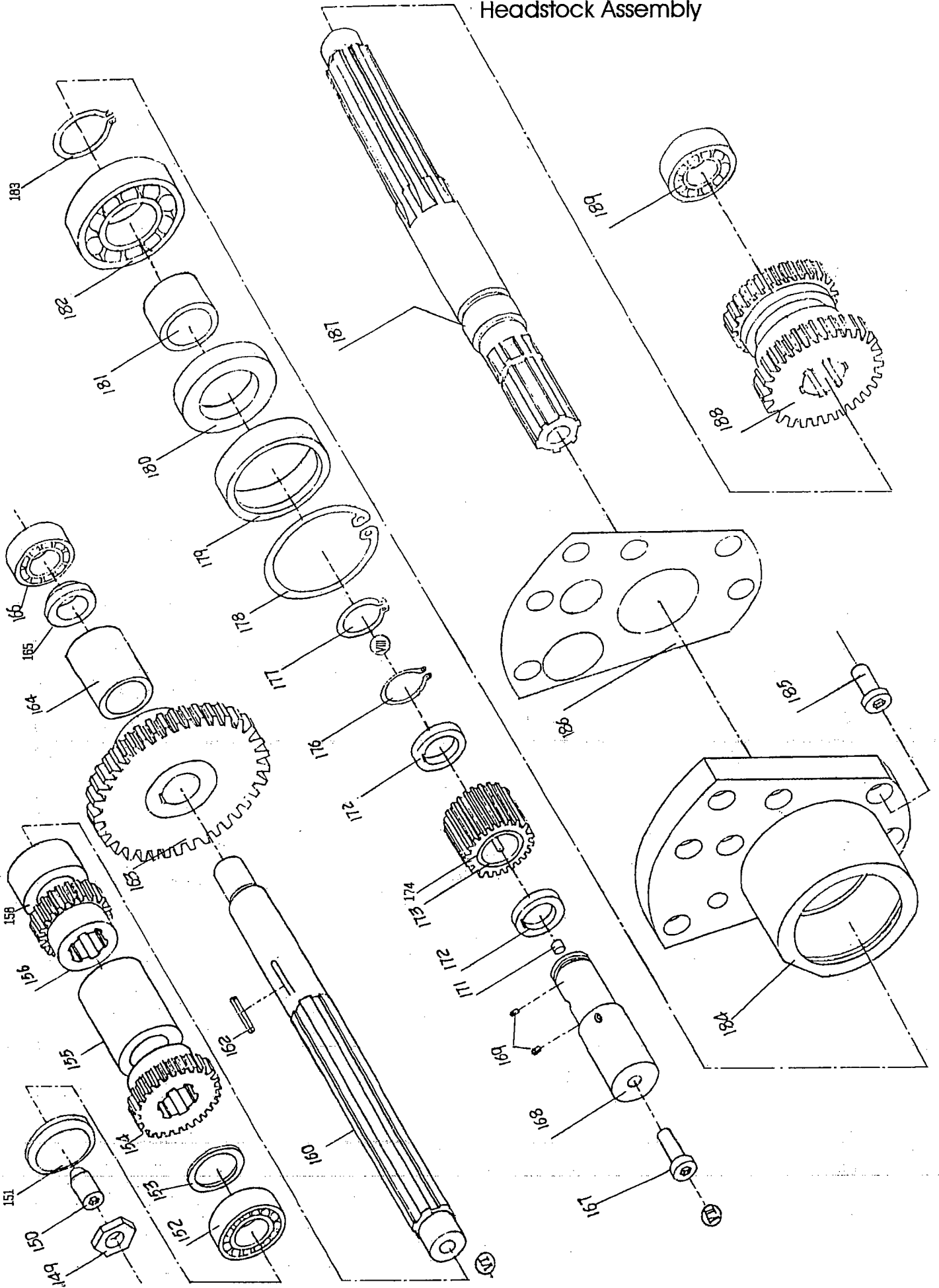
# Headstock Assembly



# Headstock Assembly



# Headstock Assembly



## Headstock Assembly

1	C-0710291	Nut		1
2	TS-1503041	Hex Socket Cap Screw	M6x16	9
3	C-0921671	Pulley		1
4	C-0710341	Washer		1
5	C-0710311	Bushing		1
6	TS-1504041	Hex Socket Cap Screw	M8x20	6
7	C-0710280	Paper Pad		1
8	C-0710261	Flange		1
8A	C-G51-1	Pad	60	1
9	C-209	Bearing		2
10	C-Q43-1-01	Shaft Sleeve	75*85*28	1
11	C-207	Bearing	35x72x17	1
12	C-0710802	Washer		1
13	C-0710891	Gear	P=2.5,T=39	1
14	C-0710821	Gear	P=2.5,T=27	1
15	C-0710811	Gear	P=2.5,T=33	1
16	C-0710302	Shaft I		1
18	C-0711870	Washer		1
19	C-306	Bearing	30x72x19	1
20	C-0711780	Washer		1
21	TS-1504031	Hex Socket Cap Screw	M8x16	1
22	C-0710720	Flange		1
23	C-0710730	Paper Pad		1
24	C-Q43-1-02	Sleeve		1
25	C-206	Bearing	30x62x16	1
26	C-GB894-76-42	C-Ring	42	1
27	C-0710712	Shaft IV		1
28	C-0710762	Gear	P=2.5,T=19	1
29	C-0710772	Gear	P=2.5,T=52	1
30	C-0820742	Gear	P=3,T=25	1
31	C-C711760	Key		2
32	C-0820751	Gear	P=3,T=47	1
33	C-206	Bearing	30x62x16	2
34	C-GB894-76-17	C-Ring	17	1
35	C-1000903	Bearing	17x30x7	2
36	C-0710271	Bearing Sleeve		1
37	C-Q43-1-00	Sleeve	17x22x4	1
38	TS-1534092	Pan Head Screw	M6x35	1
39	C-GB117-76-0632	Pin	6x32	1
40	TS-1540071	Nut	M10	1
41	C-GB78-76	Screw	M10x30	1
42	C-0710320	Flange		1
43	C-0710330	Gasket		1
44	C-Q55-8-01	Overlap	47	1
45	C-204	Bearing	20x47x14	1
46	C-GB894-76-30	C-Ring	30	2
47	C-0710391	Gear	P=2.5,T=32	1
48	KEY8828	Key	8x28	1
49	C-GB894-76-50	C-Ring	50	1
50	C-0710401	Gear	P=2.5,T=38	1
51	C-0710411	Gear	P=2.5,T=44	1
52	TS-1503031	Hex Socket Cap Screw	M6x12	1
53	C-0710381	Shaft II		1

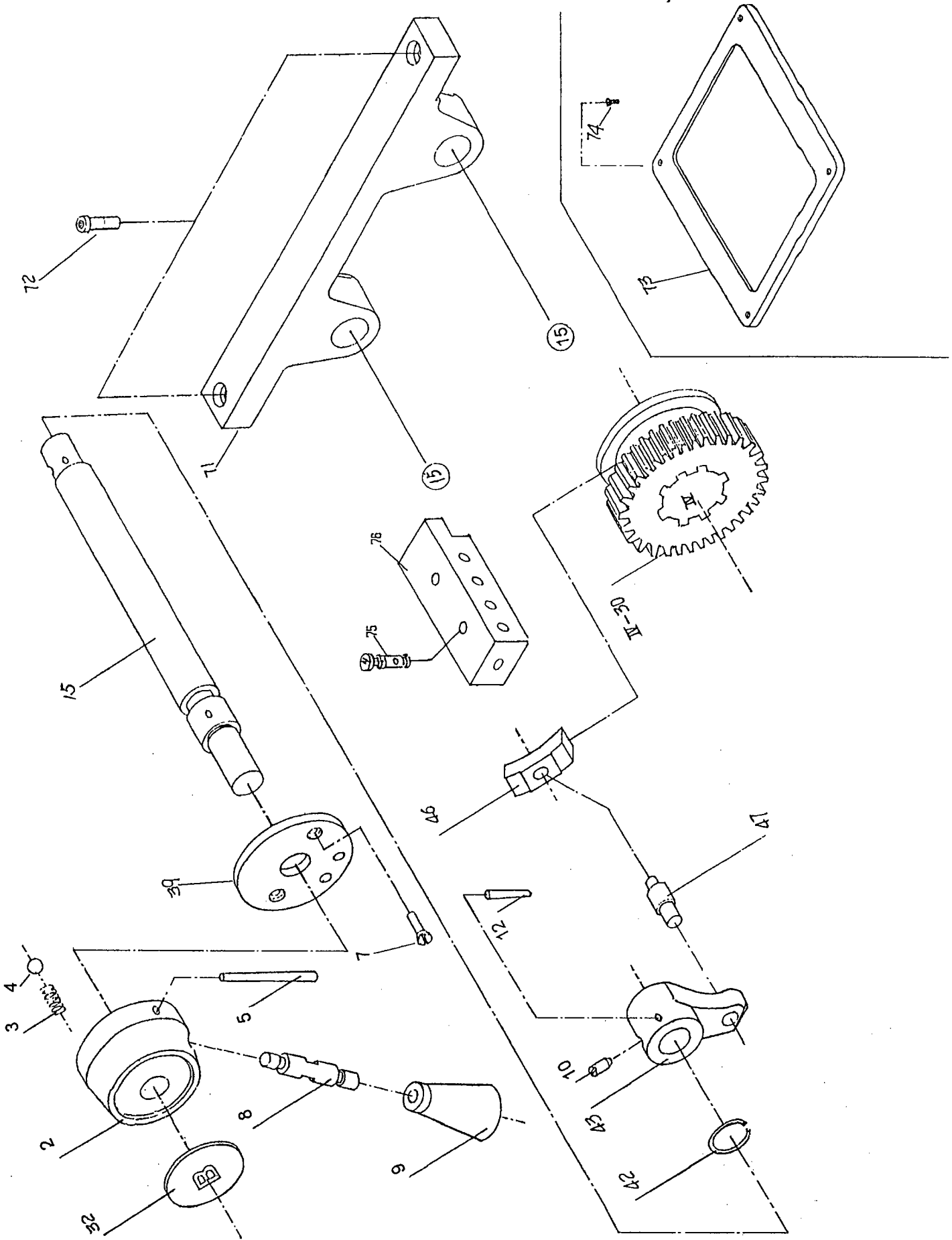
54	TS-1540071	Nut	M10	1
55	C-GB78-76-1030	Screw	M10x30	3
56	C-0710240	Flange		1
57	TS-1503031	Hex Socket Cap Screw	M6x12	3
58	C-0710250	Gasket		1
59	C-Q55-8-01	Retaining Ring	47	1
60	C-204	Bearing	20x47x14	1
61	C-GB894-76-25	C-Ring	25	2
62	C-0711230	Gear	P=2.5,T=43	1
64	KEY6616	Key	6x16	1
65	C-0712120	Shaft IX		1
66	C-104	Bearing	20x42x12	1
67	C-GB78-76-1030	Screw	M10x30	1
68	C-0712080	Sleeve		1
69	C-KBBY-3-28	Oil Pump		1
71	TS-1503131	Hex Socket Cap Screw	M6x60	3
72	C-0712220	Plug		1
73	C-207	Bearing	35x72x17	1
74	C-0710801	Sleeve		1
75	C-0710792	Gear	P=2.5,T=52	1
76	C-GB894-76-40	C-Clip	40	1
77	KEY121228	Key	12x28	1
78	C-0710782	Shaft III	P=2.5,T=19	1
80	C-GB893-76-72	C-Ring	72	1
81	C-0712210	Plug		1
82	C-0820362	Nut		1
83	TS-1503021	Hex Socket Cap Screw	M6x10	6
84	C-0780430	Cover		1
85	C-0820440	Gasket		1
86	C-0820370	Bushing		1
87	C-D46120	Bearing	100x150x24	2
88	C-0780340	Flange		1
89	TS-1504061	Hex Socket Cap Screw	M8x30	6
90	C-0820350	Gasket		1
91	C-0712260	Washer		1
92	C-0780420	Bushing		1
93	C-0831711	Gear	P=2.25,T=60	1
94	TS-1524041	Set Screw	M8x16	1
95	C-L1x420	Steel Wire		1
96	C-0820601	Nut		2
97	C-0820610	Bushing		1
98	C-0820621	Gear	P=3,T=47	1
99	C-0820631	Gear	P=3,T=69	1
100	C-0820641	Nut		1
101	TS-1504051	Hex Socket Cap Screw	M8x25	2
102	C-GB893-76-180	C-Ring	180	1
103	C-C3182124K	Bearing	120x180x46	1
104	C-0820660	Gasket		1
105	C-0820650	Flange		1
106	TS-1504051	Hex Socket Cap Screw	M8x25	6
107	C-0820670	Nut		1
109	KEY121232	Key	12x32	1
110	KEY161650	Key	16x50	1
108	C-0780380	Spring Plate		2



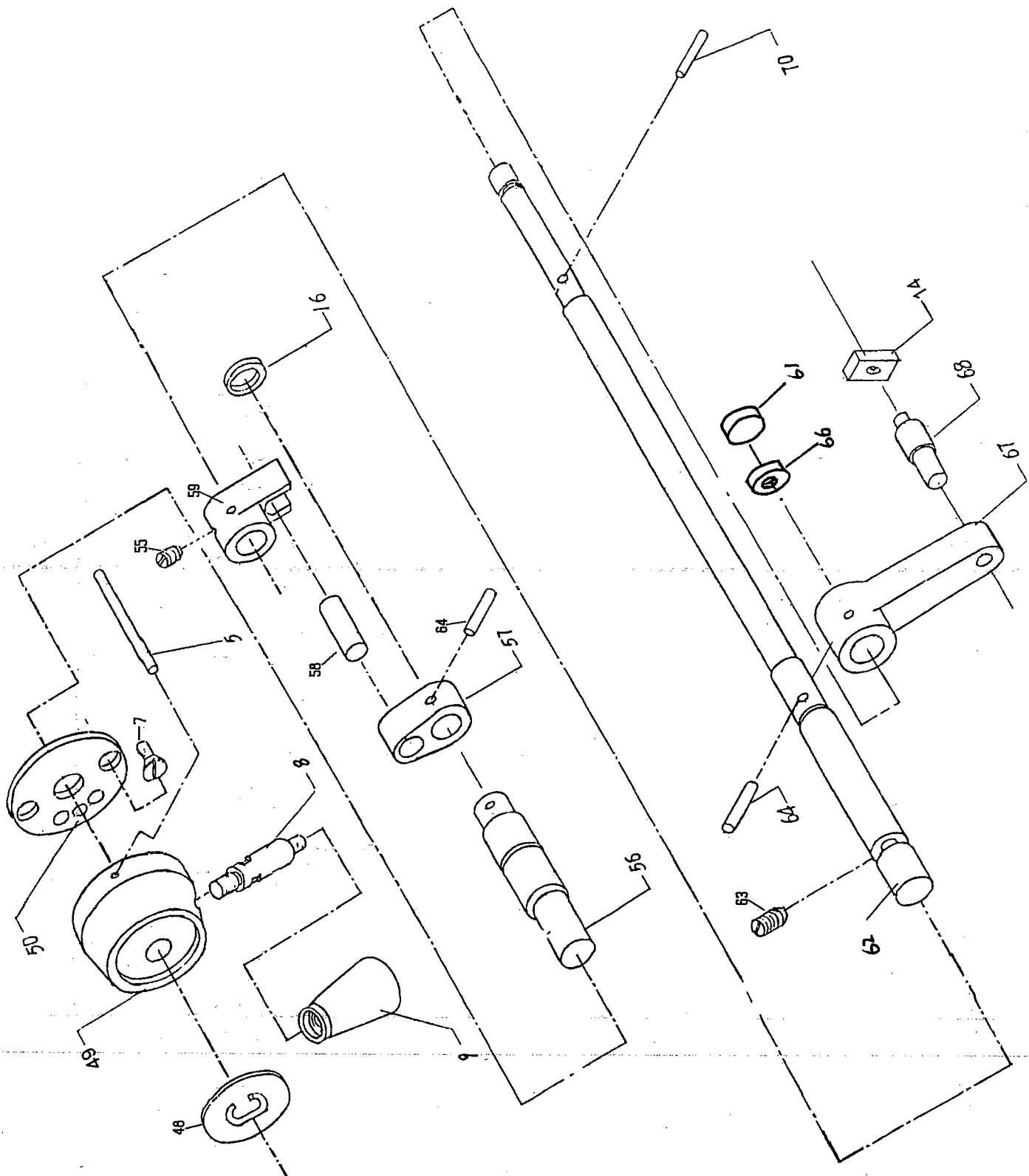
111	C-0712190	Balance Block		1
112	TS-1523051	Set Screw	M6x16	1
113	C-0712180	Balance Sleeve		1
114	TS-1524041	Set Screw	M6x10	1
115	C-A19-1	Steel Wire	LI-420	1
143	C-0860210	Shaft V		1
146	C-Q81-1A-00	Spring		1
147	C-0860681	Lock Block		1
148	C-0860690	Screw		1
149	TS-1540071	Nut	M10	1
150	C-GB78-76-1035	Screw	M10x35	1
151	C-Q55-8-00	Overlap	40	1
152	C-203	Bearing	17x40x12	1
153	C-0710582	Spacer		1
154	C-0810982	Gear	P=1.75,T=26	1
155	C-0711752	Spacing Collar		1
156	C-0811022	Gear	P=1.5,T=26	1
158	C-Q43-1A-00	Spacing Collar	25x32x40	1
160	C-0710452	Shaft VI		1
162	KEY5532	Key	5x32	1
163	C-0811033	Gear	P=2.25,T=42	1
164	C-Q43-1A-01	Bushing	20x26x40	1
165	C-0711770	Washer		1
166	C-202	Bearing	15x35x11	1
167	TS1503051	Hex Socket Cap Screw	M6x20	1
168	C-0810971	Shaft VII		1
169	C-GB119-76-0306	Pin	3M6x6	2
171	C-GB119-76-0508	Pin	5M6x8	1
172	C-0811000	Washer		2
173	C-Q41-1-00	Copper Sleeve	25N6x25	1
174	C-0810991	Gear	P=1.75,T=22	1
176	C-GB894-76-18	C-Clip	18	1
177	C-GB894-76-28	C-Clip	28	1
178	C-GB893-76-62	C-Clip	62	1
179	C-0710490	Sleeve		1
180	C-0710500	Bushing		1
181	C-G51-4	Oil Seal	35x55	1
182	C-206	Bearing	30x62x16	1
183	C-GB894-76-30	C-Ring	30	1
184	C-0710510	Flange		1
185	TS-1503051	Hex Socket Cap Screw	M6x20	6
186	C-0710520	Gasket		1
187	C-0811190	Shaft VIII		1
188	C-0811012	Gear (M1=1.75,Z1=38,M2=1.5,Z2=38)		1
189	C-203	Bearing	17x40x12	1
190-229		Not for JET lathes		



# Headstock Control Assembly



# Headstock Control Assembly

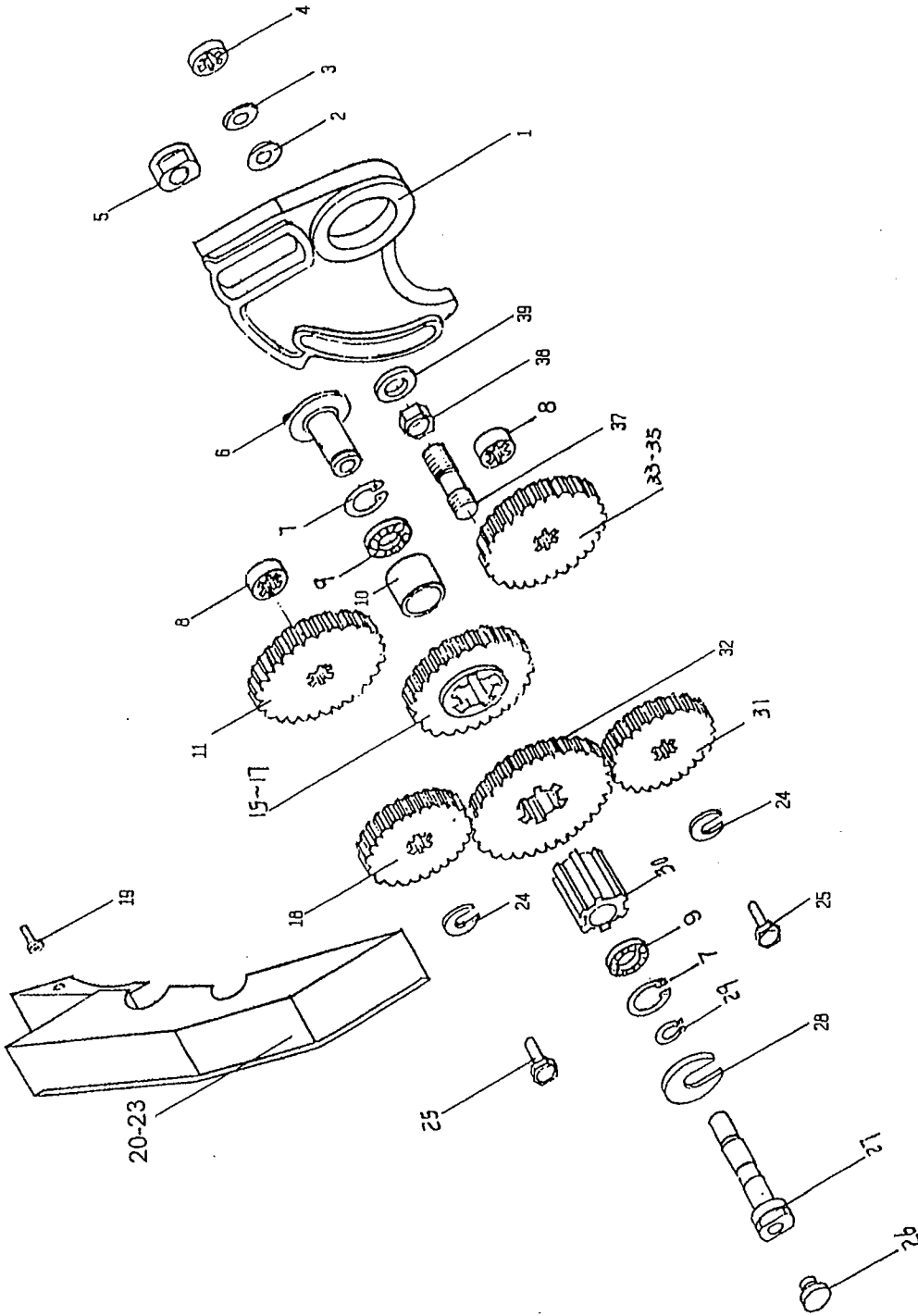


## Headstock Control Assembly

1	C-0711341	Label		1
2	C-0711260	Lever Base		3
3	C-Q81-1A-01	Spring		3
4	C-Q29-1-03	Steel Ball	9	4
5	C-GB117-76A-0660	Taper Pin	6x60	3
6	C-0712130	Pad		1
7	TS-1534041	Screw	M6x12	6
8	C-0711501	Lever		3
9	C-0711510	Lever Knob		3
10	TS-1523041	Set Screw	M6x12	2
11	C-0711380	Shifting Arm		1
12	C-GB117-76-0630	Pin	6X30	2
13	C-0711390	Shaft		1
14	C-Q99-1	Slide Block		2
15	C-0711282	Shaft		1
16	C-G51-9	Oil Seal	20*2.4	2
17	C-0711291	Lever		1
18	C-0711300	Lever Base		1
19	C-GBQ81-1A-02	Spring		1
21	C-0711270	Plate		1
22	C-0711330	Shifter Arm		1
23	TS-1523041	Set Screw	M6X12	1
24	C-GB117-76-0630	Pin	6x30	1
25	C-0711320	Shaft		1
27	C-GB117-76-0440	Pin	4x40	1
28	C-GB117-76-0660	Pin	6x60	1
29	TS-1534041	Screw	M6x12	2
30	C-0711310	Shaft		1
31	C-G51-9	Oil Seal	20*2.4	1
32	C-0711790	Label		1
39	C-0711730	Plate		1
42		Not on JET lathes		
43	C-0711400	Shift Link		1
46	C-0711850	Block		1
47	C-0711410	Shaft		1
48	C-0711800	Label		1
49	C-0711490	Handle Base		1
50	C-0711720	Position Pad		1
55	TS-1524011	Set Screw	M8x8	1
56	C-0711480	Shaft		1
57	C-0711530	Block		1
58	C-GB119-76-1032	Pin	10m6x32	1
59	C-0711540	Driving Fork		1
61	C-Q56-1	Plug	B20N6	1
62	C-0711450	Shaft		1
63	TS-1524011	Set Screw	M8x12	1
64	C-GB117-76-0625	Pin	6x25	2
66	C-G51-9	Oil Seal	14*2.4	1
67	C-0711460	Shift Arm		1
68	C-0711740	Shaft		1
70	C-GB117-76-0525	Pin	5x25	1
71	C-0711702	Hanger		1

72	TS-1503051	Hex Socket Cap Screw	M6x20	2
73	C-0710230	Headstock Cover		1
74	TS-1505031	Hex Socket Cap Screw		4
75	C-0711693	Oiler		1
76	C-0712110	Oil Valve		2

# Change Gear Assembly

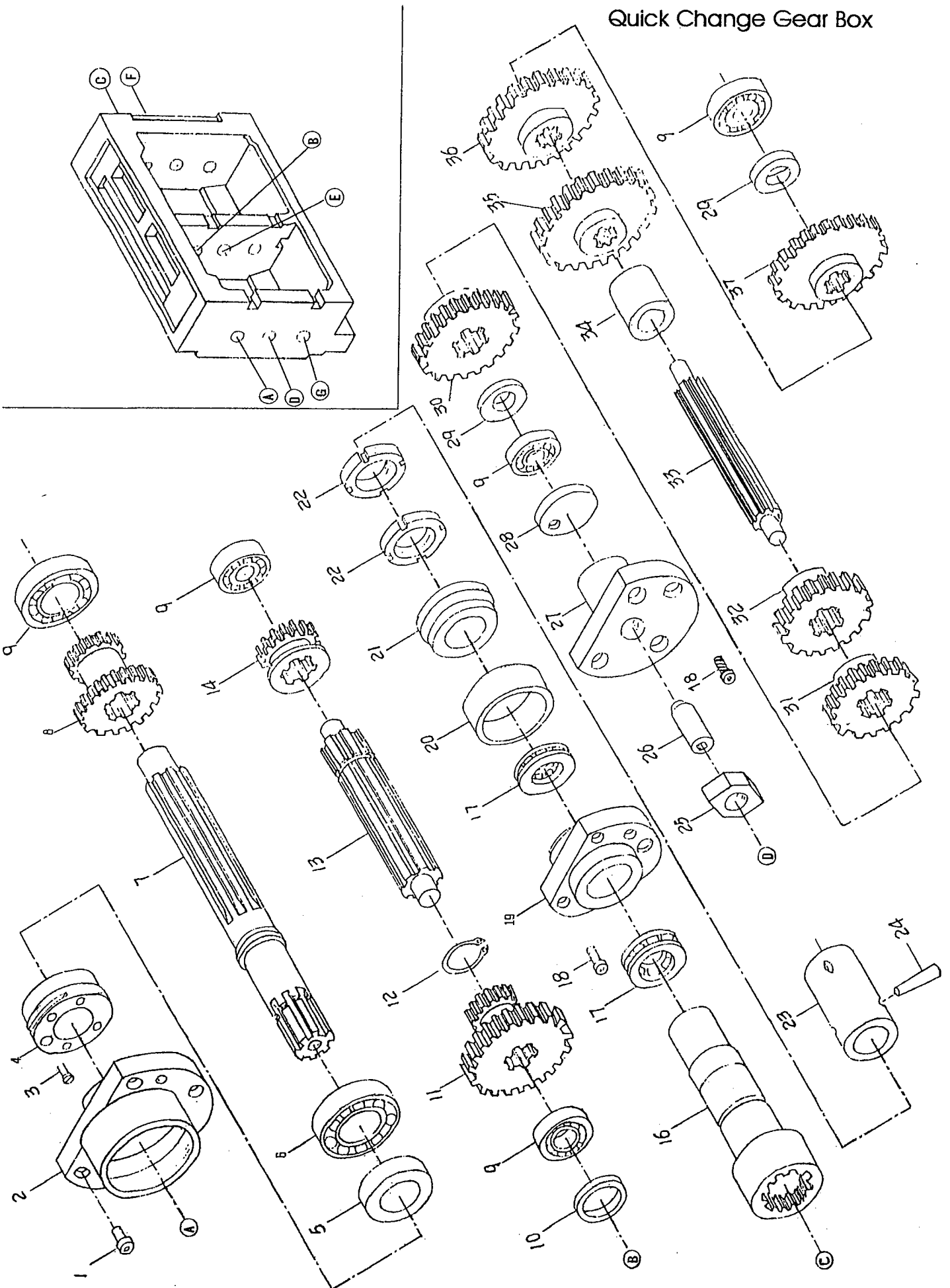


## Change Gear Assembly

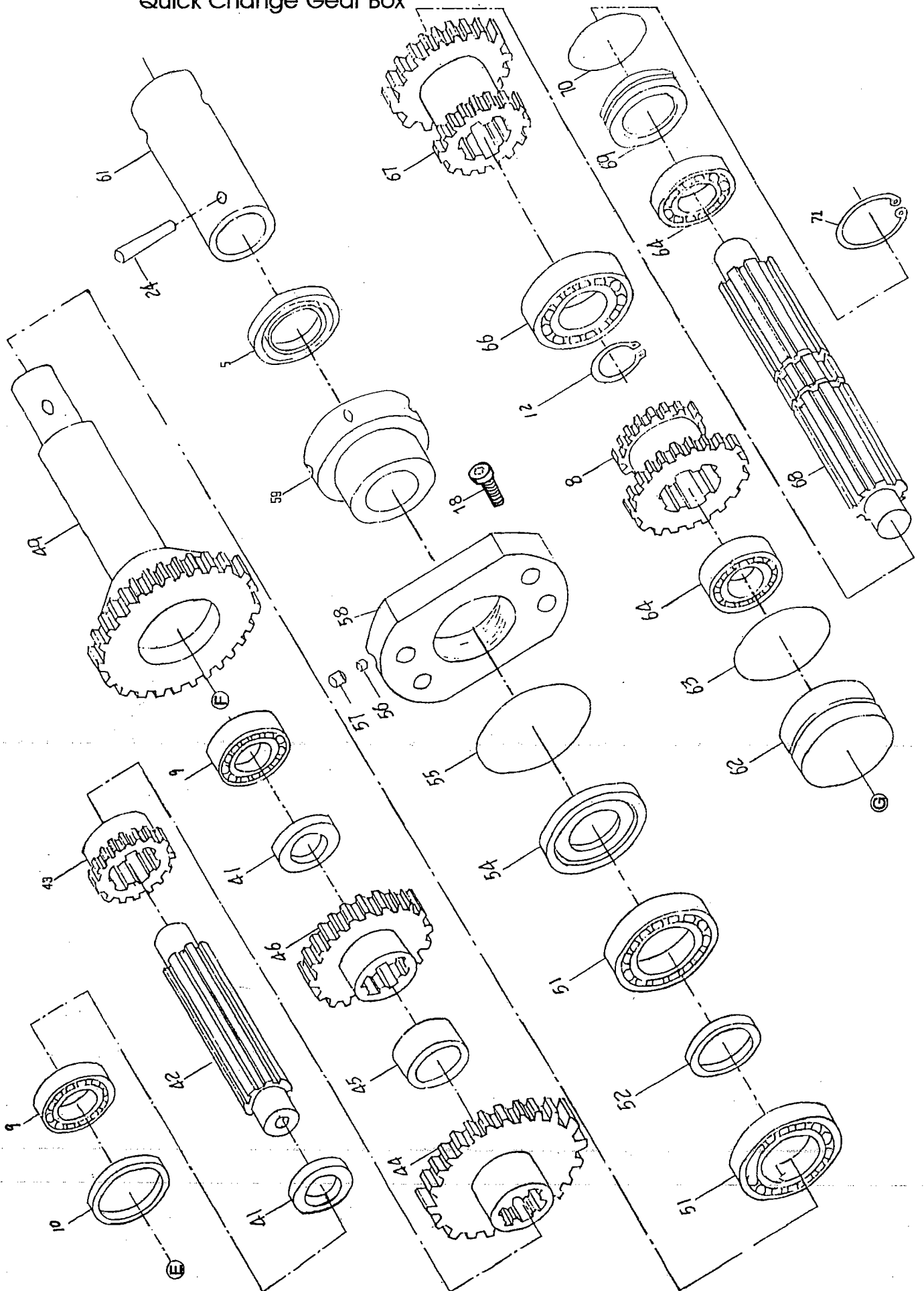
1	C-1510115	Change Gear Holder		1
2	C-GB849-76	Ball Face Washer	20	1
3	C-GB850-76	Ball Face Washer	20	1
4	C-1510250	Sleeve		1
5	C-1510230	Press Block		1
6	C-1610210	Sleeve		1
7	C-GB893-76-47	Snap Ring	47	2
8	C-1510415	Bushing		2
9	BB-6906VV	Ball Bearing	30x47x9	2
10	C-Q43-1-03	Sleeve	60x70x14	1
12-13	C-1510191	Gear	P=2.5, T=60	1
	C-1510400	Gear (1440/1660)	P=2, T=29	1
	C-1530405	Gear (1860)	P=2.25, T=29	1
15-17	C-1610150	Gear (1440/1660)	P=2.5, T=54	1
	C-1630140	Gear (1860)	P=2.25, T=82	1
18	C-1510181	Gear	P=2, T=58	1
19	TS-1504021	Hex Socket Cap Screw	M8x12	1
20-23	C-1510266	Change Gear Cover (1440)		1
	C-1520266	Change Gear Cover (1660)		1
	C-1530266	Change Gear Cover (1860)		1
24	C-J51-3	Split Washer	12	2
25	C-GB21-76	Hex Cap Bolt	M12x16	2
26	C-1510160	Plug		1
27	C-1510220	Shaft		1
28	C-1610170	Washer		1
29	C-GB894-76-30	C-Ring	30	1
30	C-1610202	Sleeve		1
31	C-1510121	Gear	P=2, T=60	1
32	C-1610140	Gear	P=2, T=82	1
33-35	C-1510131	Gear	P=2.5, T=56	1
	C-1510380	Gear (1440, 1660)	P=2.5, T=52	1
	C-1510390	Gear (1860)	P=2.5, T=46	1
37	C-GB898-76	Stud Bolt	M20x70	1
38	TS-1540221	Nut	M20	1
39	TS-1510240	Washer	M20	1



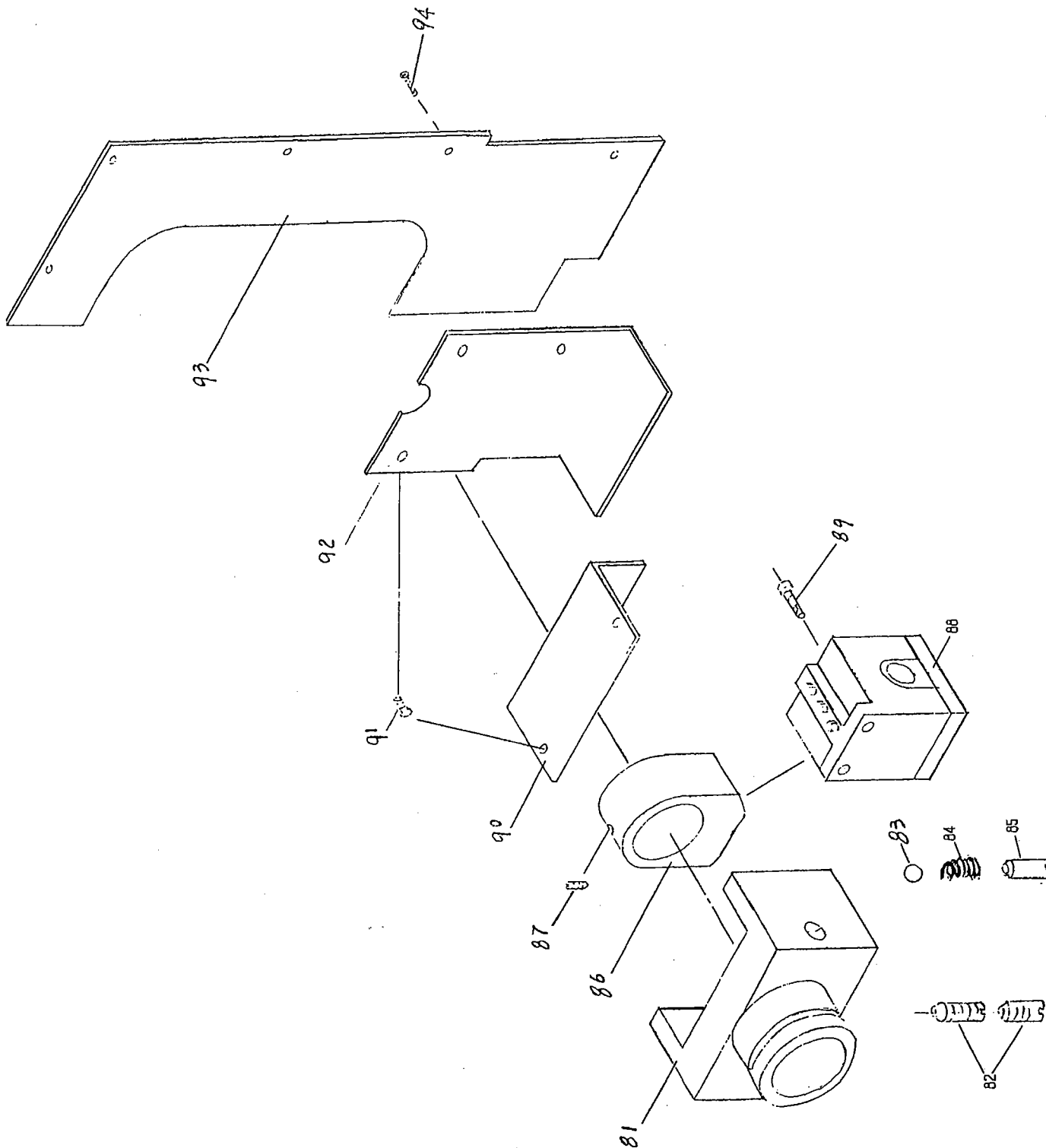
# Quick Change Gear Box



# Quick Change Gear Box



# Quick Change Gear Box

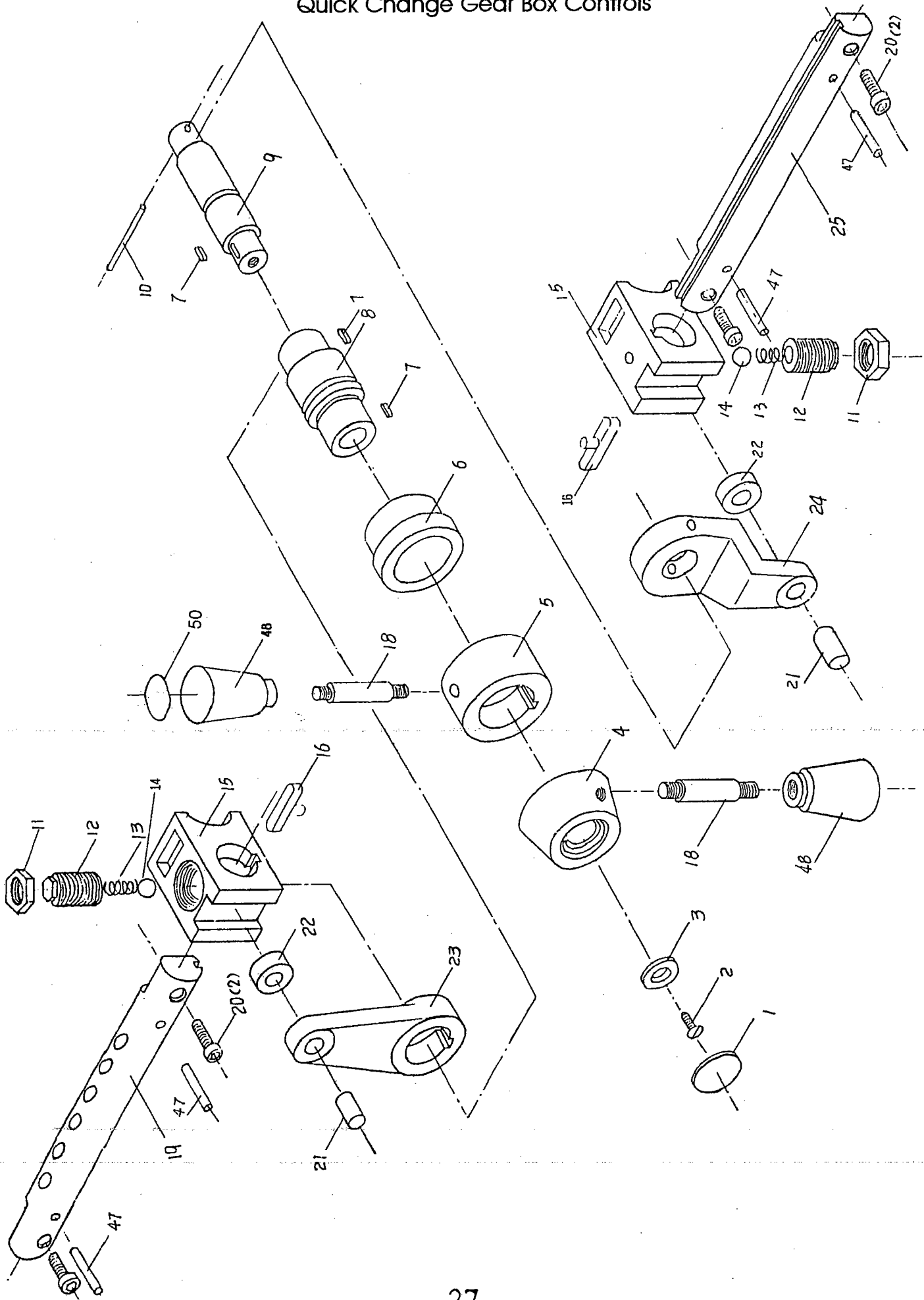


## Quick Change Gear Box

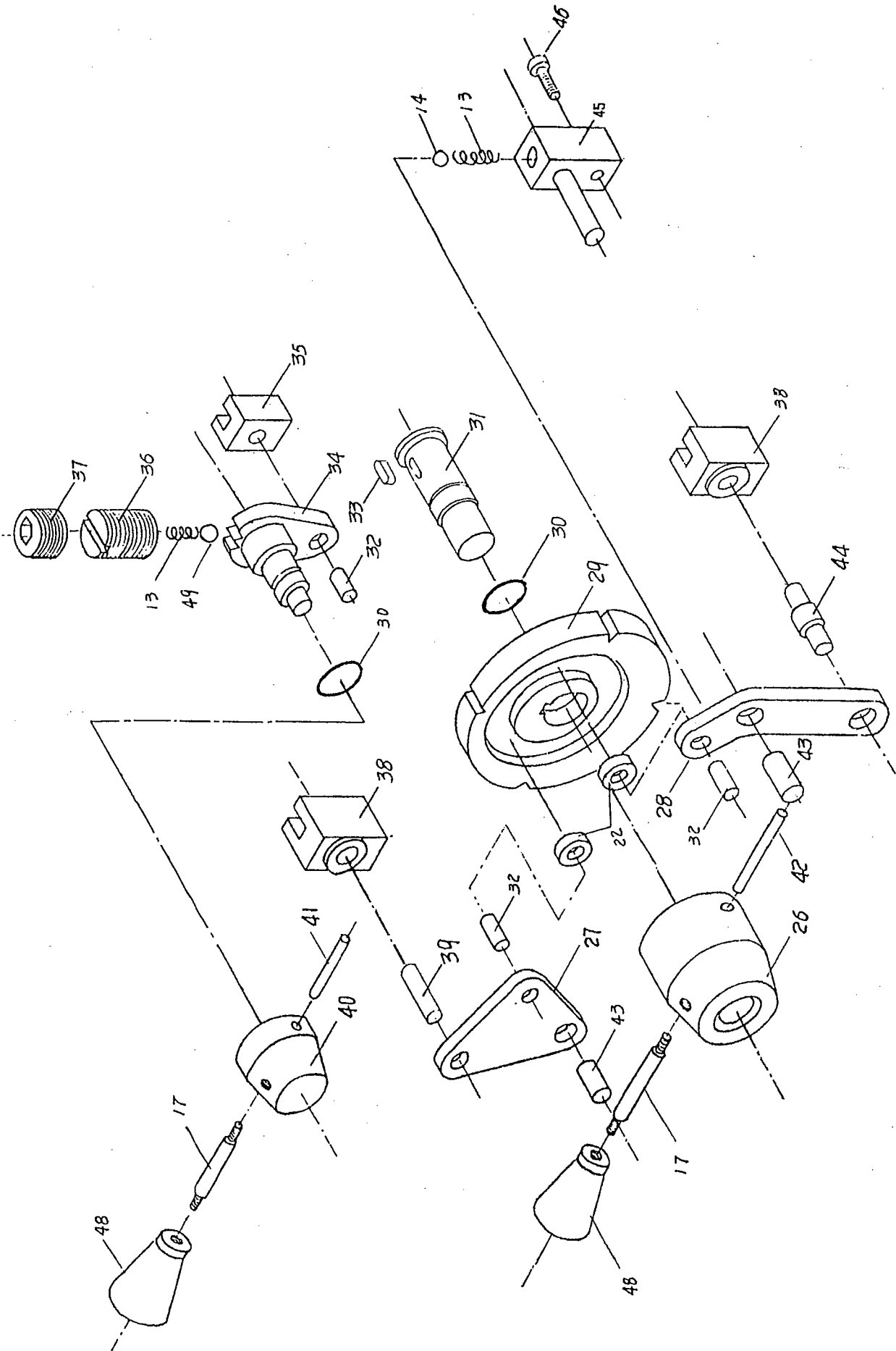
1	TS-1504051	Hex Socket Cap Screw	M8x25	4
2	C-1310120	Flange		1
3	TS-1534041	Screw	M6x12	2
4	C-1310130	Locking Sleeve		1
5	C-G51-4	Seal Ring	30*60	2
6	BB-7206	Taper Roller Bearing		1
7	C-1310140	Shaft		1
8	C-1310151	Gear (P1=2,T1=27 P2=2.25T2=18)		2
9	BB-7203	Taper Roller Bearing		7
10	C-Q43-1-04	Washer		2
11	C-1310161	Gear (P=2, T1=42T2=21)		1
12	C-GB894-76-25	C-Clip	25	2
13	C-1310170	Shaft		1
14	C-1310181	Gear	P=1.5,T=28	1
16	C-1310191	Clutch Shaft		1
17	C-D8106	Bearing		2
18	TS-1504041	Hex Socket Cap Screw	M8x20	4
19	C-1310200	Flange		4
20	C-1310210	Sleeve		1
21	C-1310220	Washer		1
22	C-1310230	Locking Sleeve		2
23	C-1310240	Lead Screw Sleeve		1
24	C-1311020	Taper Pin		2
25	C-GB54-76-01	Thin Hex Nut	M16x1.5	1
26	C-GB78-76	Set Screw	M16x1.5x3.5	1
27	C-1310410	Flange		1
28	C-Q55-8-00	Overlap	40	1
29	C-1310351	Washer		2
30	C-1310960	Gear	P=2,T=33	1
31	C-1310401	Gear	P=2,T=35	1
32	C-1310391	Gear	P=2,T=36	1
33	C-1310361	Shaft		1
34	C-Q43-1-05	Sleeve	28x35x35	1
35	C-1310381	Gear	P=2.25,T=36	1
36	C-1310371	Gear	P=2.25,T=40	1
37	C-1310950	Gear	P=2.25,T=38	1
41	C-1310340	Washer		1
42	C-1310330	Shaft		1
43	C-1310321	Gear	P=2,T=21	1
44	C-1310311	Gear	P=2,T=42	1
45	C-Q43-1-06	Sleeve	25x32x20	1
46	C-1310301	Gear	P=2,T=31	1
49	C-1310291	Gear Shaft	P=1.5,T=56	1
51	C-106	Bearing	30x55x13	2
52	C-Q43-1-07	Sleeve	30x37x8	1
54	C-1310280	Washer	60*3.1	1
55	C-G51-9	Seal Ring		1
56	C-J51-9	Spacer		1
57	TS-1524051	Set Screw	M8x20	1
58	C-1310251	Flange		1
59	C-1310260	Adjusting Sleeve		1
61	C-1310270	Feed Rod Sleeve		1

62	C-1310420	Plug		1
63	C-G51-9	Seal Ring	55*3.1	1
64	C-203	Bearing	17x40x12	2
66	C-205	Bearing	25x25x15	1
67	C-1310441	Gear (P=2,Z1=21,Z2=31)		1
68	C-1310430	Shaft		1
69	C-1310461	Plug		1
70	C-G51-9	Seal Ring	40*3.1	1
71	C-GB893-76-40	C-Ring	40	1
81	C-1310452	Flange		1
82	C-GB75-76-0816	Screw	M8*16	2
83	C-Q29-1-03	Steel Ball	9	1
84	C-Q81-1-00	Spring		1
85	TS-1525021	Set Screw	M10x12	1
86	C-0110261	Adjusting Sleeve		1
87	TS-1523041	Hex Socket Cap Screw	M6x12	4
88	C-JWZ-11Z/3TH	Switch		1
89	TS-1523041	Hex Socket Cap Screw	M6x12	1
90	C-1311050	Cover		1
91	TS-1532032	Screw	M4x10	6
92	C-1311060	Cover		1
93		Cover		1
94	TS-1533042	Screw	M5x12	6

# Quick Change Gear Box Controls



# Quick Change Gear Box Controls

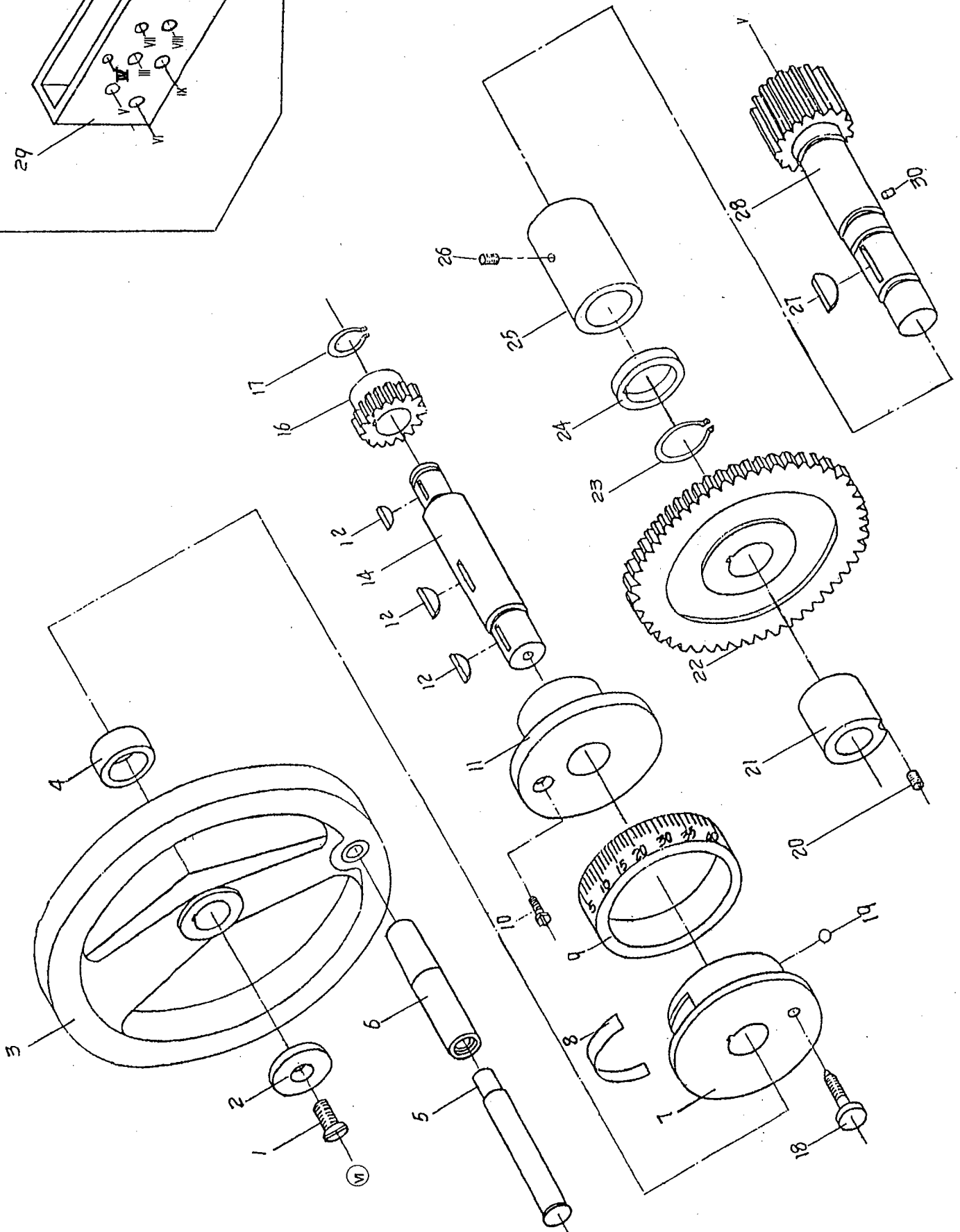
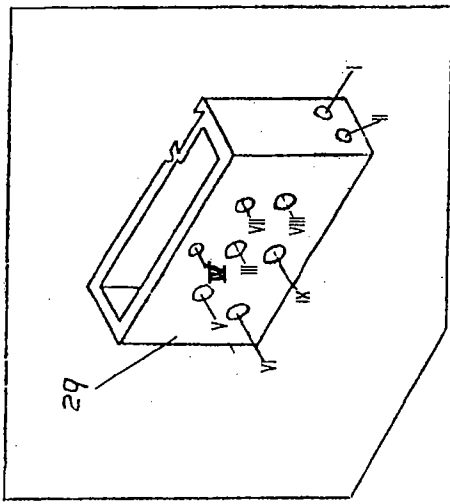


## Quick Change Gearbox Controls

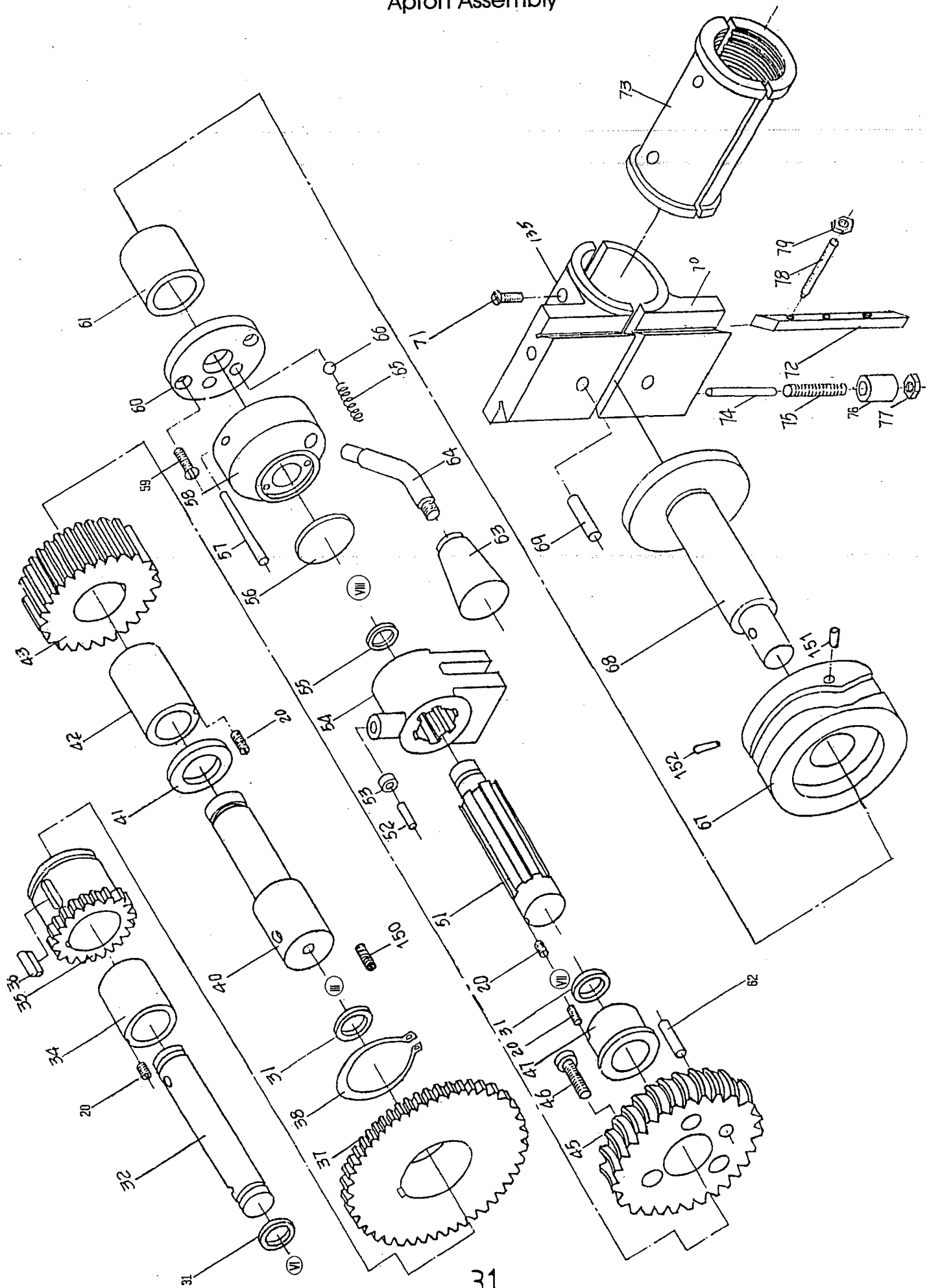
1	C-1310800	Cover		1
2	TS-1533031	Screw	M5x10	1
3	C-GB891-76	Retaining Ring	B20	1
4	C-1310571	Handle Base		1
5	C-1310562	Lever Base		1
6	C-1310490	Sleeve		1
7	KEY5512	Key	5x12	3
8	C-1310550	Shaft Sleeve		1
9	C-1310540	Shaft		1
10	C-GB117-76-0440	Pin	4x40	1
11	C-GB54-76-01	Thin Nut	M16x1.5	2
12	C-1310610	Screw Sleeve		2
13	C-Q81-1-01	Spring		5
14	C-Q29-1-03	Steel Ball	9	4
15	C-1310602	Slide Block		2
16	C-J31-3	Slide Key		2
17	C-1310503	Lever Handle		2
18	C-1310510	Lever Handle		2
19	C-1310582	Shaft		1
20	TS-1504031	Hex Socket Cap Screw	M8x16	4
21	C-GB119-76-0816	Pin	8M6x16	2
22	C-1310890	Drive Block		4
23	C-1310521	Drive Rod		1
24	C-1310531	Drive Rod		1
25	C-1310592	Shaft		1
26	C-1310720	Lever Base		1
27	C-1310670	Lever Plate		1
28	C-1310680	Lever Link		1
29	C-1310710	Eccentric Disk		1
30	C-G51-9	O-Ring	16*2.4	2
31	C-1310700	Shaft		1
32	C-GB119-76-0820	Pin	8M6x20	3
33	KEY3512	Key	3*5*12	1
34	C-1310620	Rocker		1
35	C-1310650	Slide Block		1
36	C-1310640	Screw Sleeve		1
37	C-GB78-76	Set Screw	M16x1.5x16	1
38	C-1310660	Slide Block		2
39	C-GB119-76-1030	Pin	10M6x30	1
40	C-1310630	Lever Base		1
41	C-GB117-76-0435	Pin	4x35	1
42	C-GB117-76-0450	Pin	4x50	1
43	C-GB119-76-1022	Pin	10M6x22	2
44	C-1310690	Shaft		1
45	C-1310731	Positioning Block		1
46	TS-1503051	Hex Socket Cap Screw	M6x20	1
47	C-GB119-76-0430	Pin	4M6x30	4
48	C-1311041	Knob		4
49	C-Q29-1-05	Steel Ball	10	1
50	C-1310861	Plastic Label		1



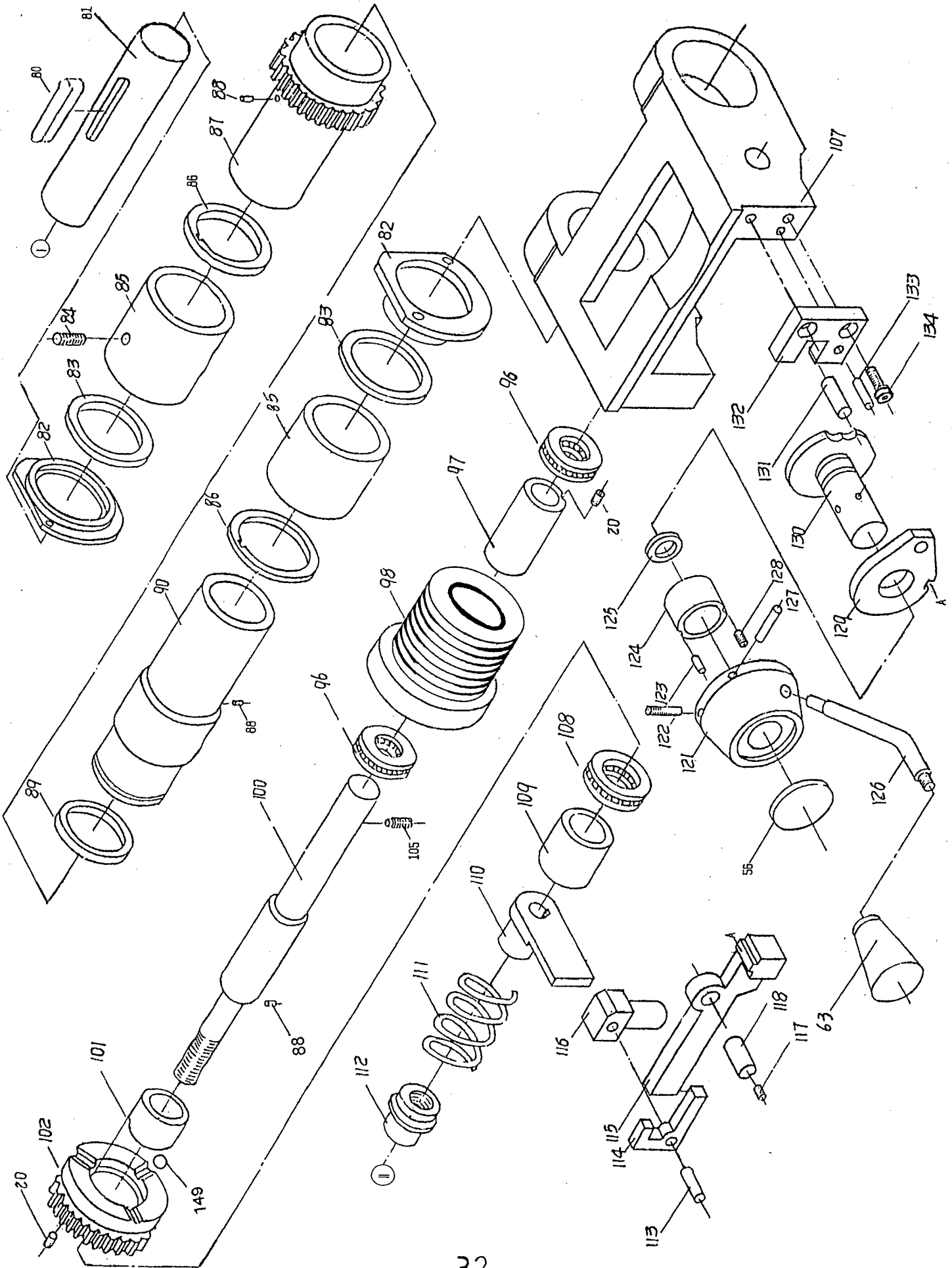
# Apron Assembly



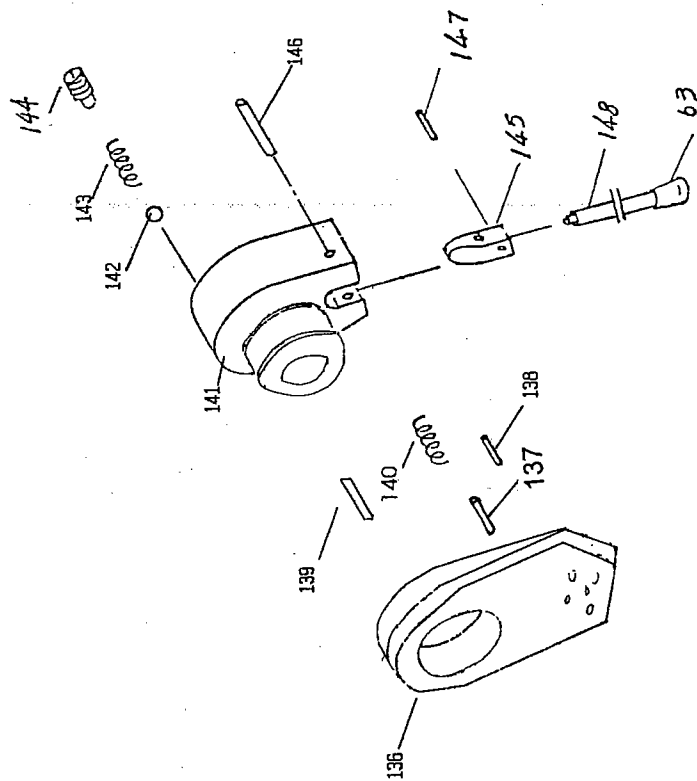
# Apron Assembly



# Apron Assembly



# Apron Assembly



## Apron Assembly

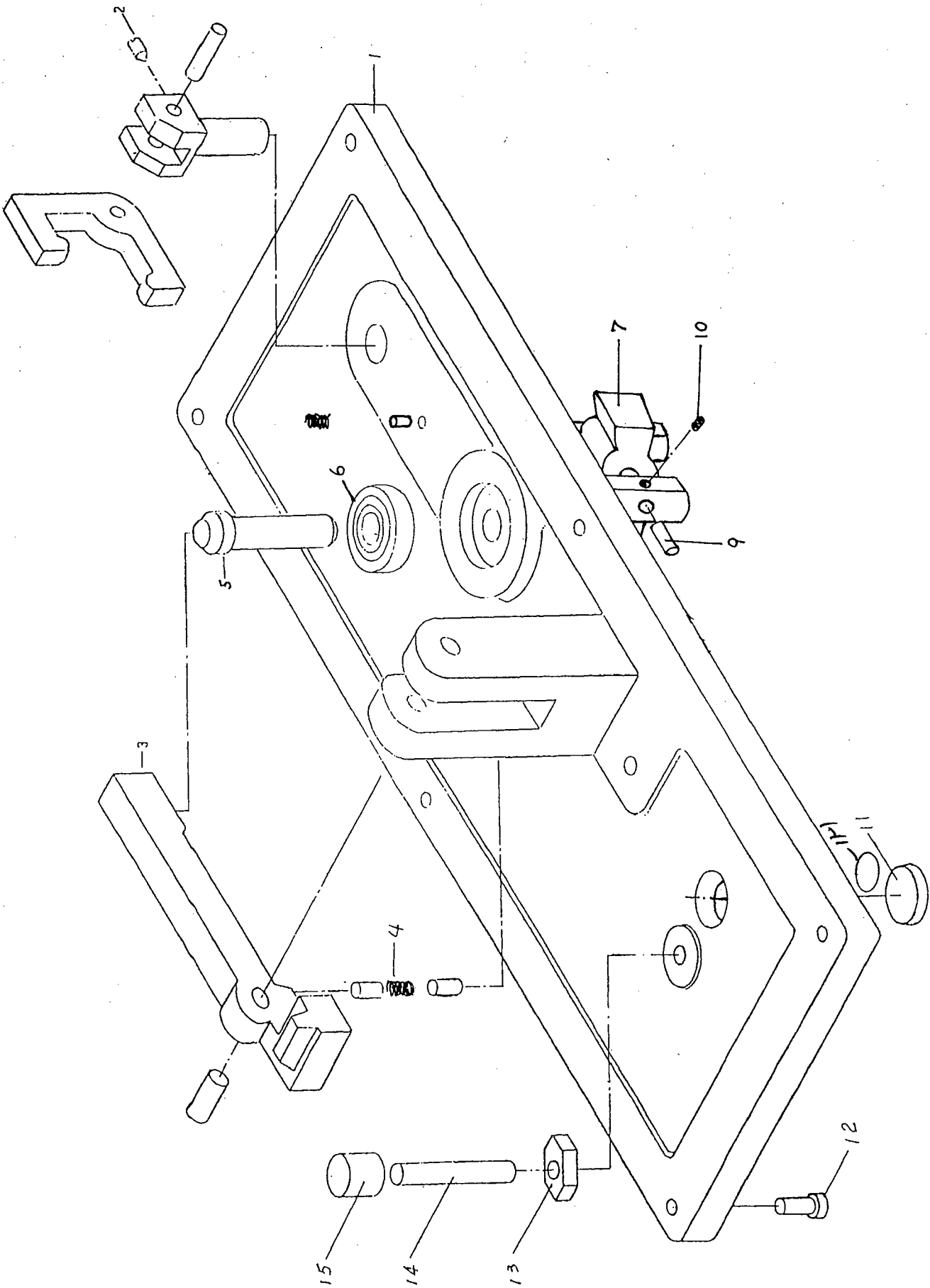
1	TS-1534051	Screw	M6x16	1
2	C-1710200	Washer		1
3	C-1710171	Hand Wheel		1
4	C-Q43-1-08	Spacing Collar	22x30x12	1
5	C-1710180	Hand Wheel Lever Stud		1
6	C-1710190	Hand Wheel Lever		1
7	C-1710160	Plate		1
8	C-Q67-4-32	Dial Indicator		1
9	C-1710740	Dial Ring		1
10	TS-1482021	Hex Cap Bolt	M6x12	1
11	C-1793140	Flange		1
12	C-GB1099-79-0619	Half-Round Key	6*19	3
14	C-1710130	VI Shaft		1
16	C-1710141	Gear	P=1.75,T=19	1
17	C-GB894-76-17	C-Ring	17	1
18	C-1710150	Screw		1
19	C-Q29-1-00	Steel Ball	5.556	1
20	TS-1523021	Set Screw	M6x8	7
21	C-1710210	Sleeve		1
22	C-1710221	Gear	P=1.75,T=72	1
23	C-GB894-76-25	C-Ring	25	1
24	C-1710120	Washer		1
25	C-1710110	Sleeve		1
26	TS-1523041	Set Screw	M6x12	1
27	C-GB1099-76-0622	Half-Round Key	6x22	1
28	C-1813120	Gear Shaft	T=12	1
29	C-1732110	Housing		1
30	C-GB119-76-0306	Plug	3M6x6	1
31	C-G51-9	Seal Ring	20x24	3
32	C-1710230	Shaft		1
34	C-Q41-1-01	Shaft Sleeve	B20x28K6x35	1
35	C-1710241	Gear	P=1.75,T=25	1
36	KEY6620	Flat Key	6x20	1
37	C-1710251	Gear	P=1.75,T=60	1
38	C-GB894-76-40	C-Ring	40	1
40	C-1710270	Shaft		1
41	C-1710260	Washer		1
42	C-1710390	Sleeve		1
43	C-1710281	Gear	P=1.75,T=37	1
45	C-1710290	Turbine Gear	P=2,T=40	1
46	TS-1503051	Hex Socket Cap Screw	M6x20	1
47	C-1710400	Sleeve		1
51	C-1710310	Spline Shaft		1
52	C-GB119-76-0514	Cylinder Plug	5M6x14	1
53	C-GB97-75	Washer	B-10	1
54	C-1710300	Driving Fork		1
55	C-G51-9	Seal Ring	15x2.4	1
56	C-1710340	Plug		2
57	C-GB117-76-0616	Pin	M6x16	1
58	C-1710330	Lever Base		1
59	TS-1533031	Screw	M5x10	2
60	C-1710320	Washer		1

61	C-Q41-1-02	Spacing Collar	C25x32K6x30	1
62	C-GB118-76-0525	Taper Pin	5x25	1
63	C-0711511	Lever Knob		3
64	C-1710350	Lever Rod		2
65	C-Q81-1-02	Spring	1.2x8x20	1
66	C-Q29-1-04	Steel Ball	9.525	1
67	C-1732140	Cam		1
68	C-1732130	Shaft		1
69	C-GB119-76	Cylinder Plug	8M6x16	1
70	C-1732170	Lower Body		1
71	TS-1534041	Screw	M6x12	2
72	C-1732150	Gib		1
73	C-GB119-76-0640	Thread Nut		1
74	TS-1490071	Cylinder Plug	6M6x40	1
75	C-GB78-76	Screw	M8x40	1
76	C-1710370	Sleeve		1
77	TS-1540061	Nut	M8	1
78	C-1710760	Screw		3
79	TS-1540041	Nut	M6	3
80	C-1710531	Key		1
81	C-0320451	Feed Rod (1440)		1
	C-0360461	Feed Rod (1660, 1860)		1
82	C-1710512	Oil Seal		2
83	C-G51-9	Seal Ring	48x3.5	2
84	TS-1523061	Set Screw	M6x20	1
85	C-1710520	Sleeve		2
86	C-1710560	Washer		2
87	C-1710541	Gear	P=1.5,T=36	1
88	C-GB119-76-0306	Cylinder Plug	3M6x6	3
89	C-G51-9	Seal Ring	40*3.1	1
90	C-1710550	Sleeve		1
96	BB-8103	Bearing		2
97	C-1710590	Sleeve		1
98	C-1710610	Worm		1
100	C-1710631	Shaft		1
101	C-1710750	Sleeve		1
102	C-1710621	Gear	P=1.5,T=36	1
105	TS-1524051	Set Screw	M8x20	1
107	C-1732221	Cradle		1
108	BB-8105	Bearing	20x35x10	1
109	C-1710770	Sleeve		1
110	C-1710641	Plate		1
111	C-Q81-1-03	Pressure Spring	4x28x50	1
112	C-1710653	Adjusting Screw		1
113	C-GB119-76-0516	Cylinder Plug	5M6x16	1
114	C-1710451	Lever		1
115	C-1732201	Lever		1
116	1710461	Pin		1
117	TS-1522011	Set Screw		1
118	C-1710440	Pin		1
121	C-1710490	Lever Base		1
122	TS-1523051	Set Screw		1
123	C-GB119-76-0410	Cylinder Plug	4M6x10	1
124	C-Q41-1-03	Sleeve		1

125	C-1710501	Spacer		1
126	C-1710480	Handle		1
127	C-GB117-76-0550			1
128	TS-1523021	Set Screw	M6*8	1
129	C-1710501	Support		1
130	C-1732210	Shaft		1
131	C-1710600	Cylinder Plug		1
132	C-1732180	Plate		1
133	C-GB117-76-0520	Cylinder Plug	5x20	1
134	TS-1523041	Hex Socket Cap Screw	M6x12	1
135	C-1732160	Upper Body		1
136	C-GB117-76-0520	Plate		1
137	TS-1523041	Pin	5x20	1
138	KEY6630	Hex Socket Cap Screw	M6x12	4
139	C-J31-3	Sliding Key	6x6x30	1
140	C-Q31-1A	Spring	14x10x20	1
141	C-1830660	Locking Body		1
142	C-Q29-1-01	Steel Ball	6	1
143	C-Q81-1A-03	Spring	1x5x16	1
144	TS-1524021	Set Screw		1
145	C-1830680	Locking Block		1
146	C-GB119-76-0535	Pin	5M6x35	1
147	C-GB119-76-0416	Pin	4x16	1
148	C-1710700	Lever Rod		1
149	C-Q29-1-06	Steel Ball	8.73	3
150	TS-1524011	Set Screw	M8x8	1
151	C-GB117-76-0625	Pin	M6x25	1
152	C-GB117-76-0850	Pin	M8x50	1

Apron Assy Complete -

# Apron Stop Assembly

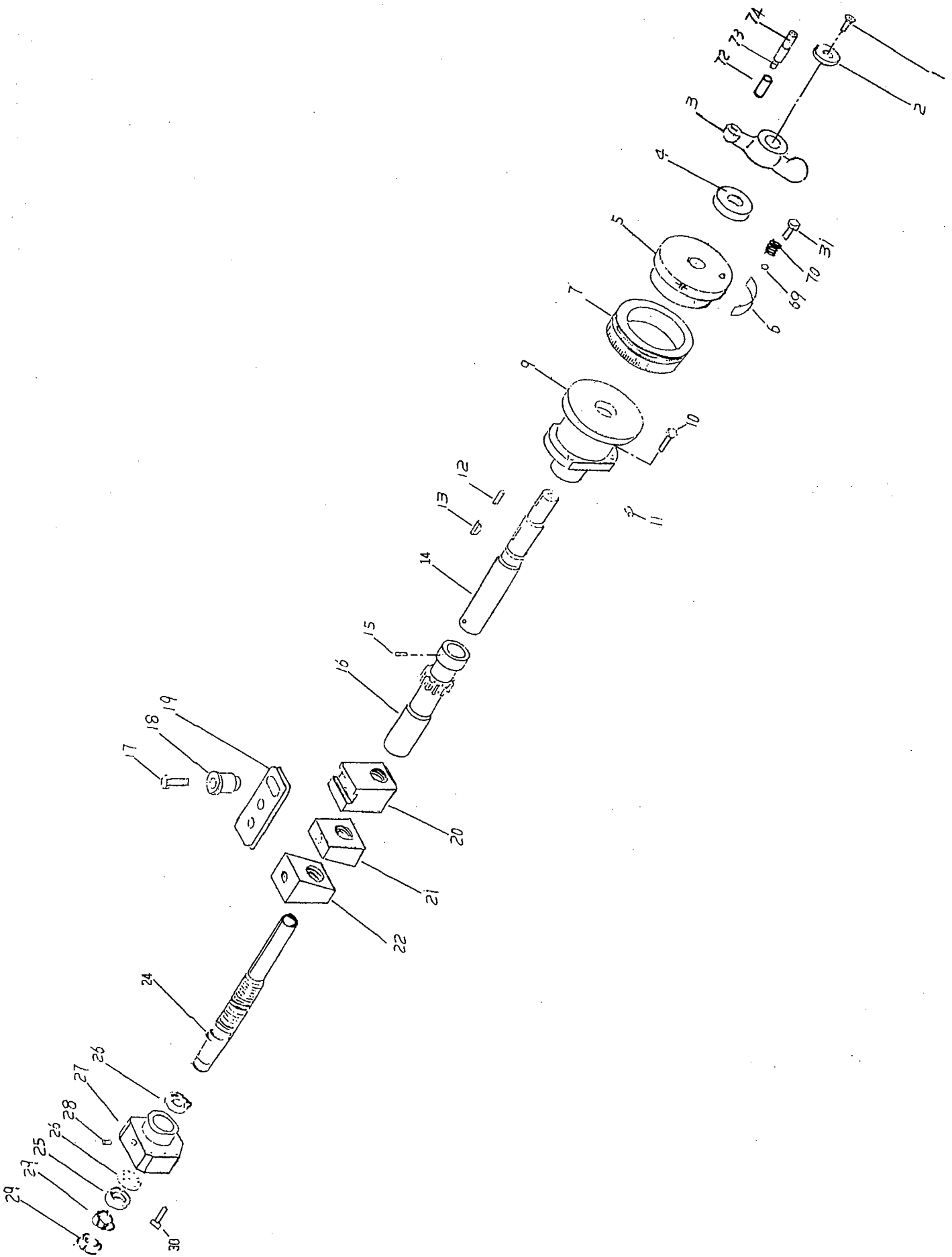




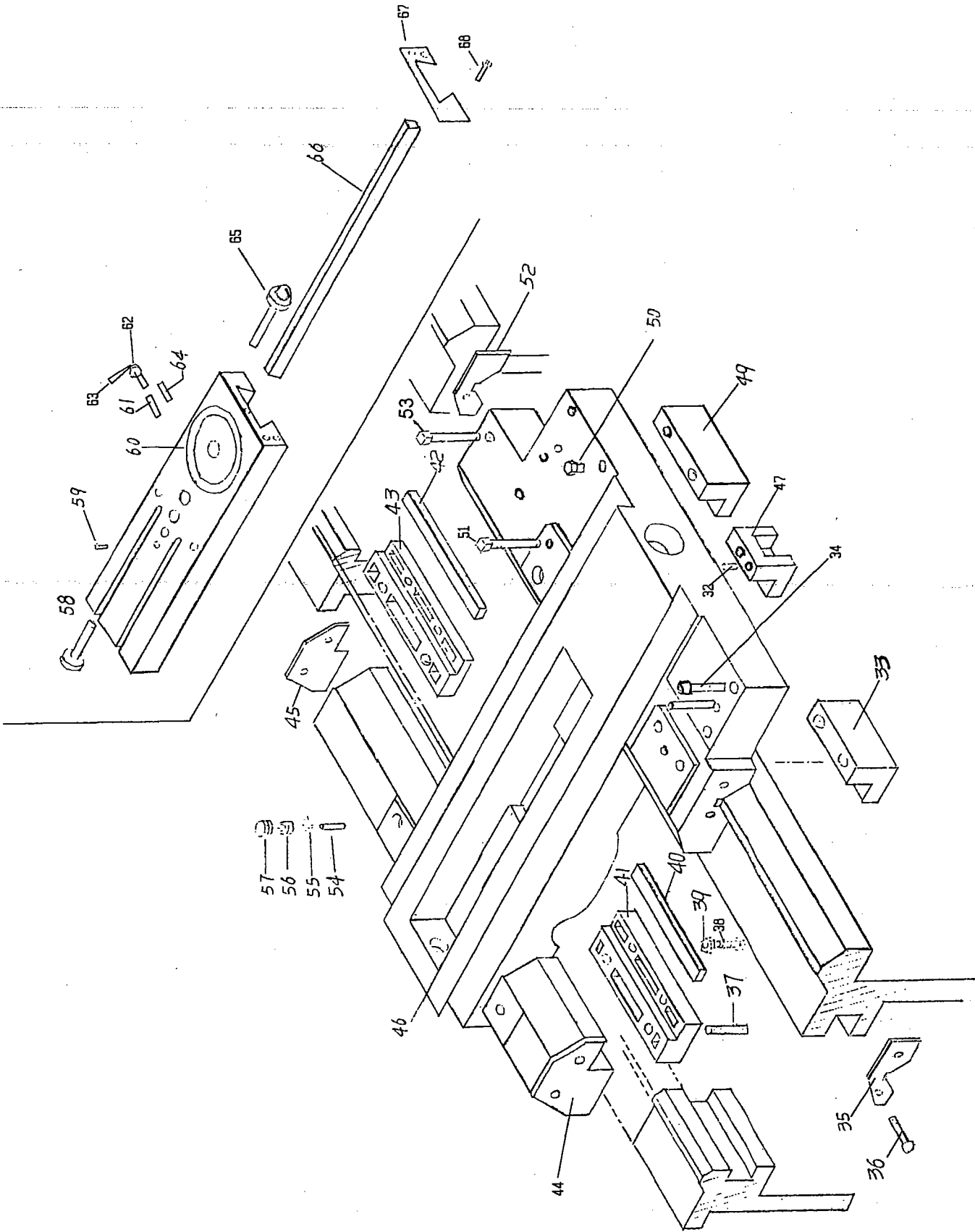
### Apron Stop Assembly

1	C-1884501	Cover		1
2	TS-1522011	Set Screw	M5x6	1
3	C-1754510	Lever		1
4	C-Q81-1-04	Spring		2
5	C-1860120	Touch Rod		1
6	C-G51-1	Oil Seal	12*45*47	1
7	C-1860110	Touch Block		1
9	C-GB119-76-0830	Cylinder Pin	8M6x30	1
10	TS-1523021	Set Screw	M6*8	1
11	G38-3	Plug(S/N 808GDxxxLower)		1
	G38-4	Plug(S/N 809GDxxxHigher)		1
11-1	G52-1	Oring		1
12	TS-1503031	Hex Socket Cap Screw	M6x12	6
13	TS-154061	Nut	M8	1
14	C-1710410	Screw		1
15	C-1710420	Rubber Pad		4

# Crossfeed Assembly



# Crossfeed Assembly

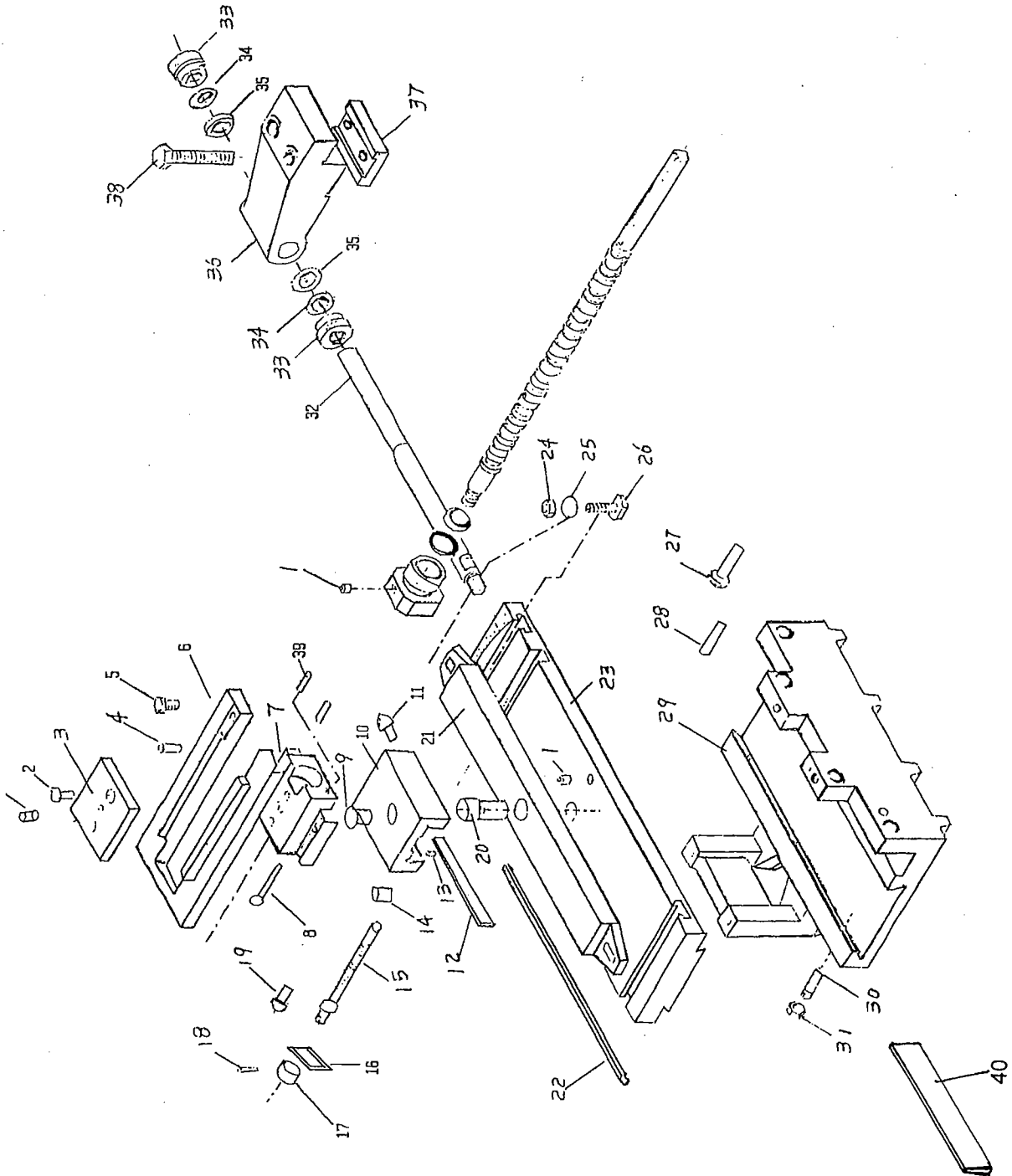


## Crossfeed Assembly

1	TS-1523021	Flat Head Socket Bolt	M5x12	1
2	C-GB891-86	Scrapper Ring	B22	1
3	C-2310183	Lever		1
4	C-2310441	Pad		1
5	C-2600450	Inner Ring		1
6	C-Q67-4A-32	Spring Leaf	80	1
7	C-2600470	Index Ring (outer ring)		1
8	BB-8104	Bearing		1
9	C-2610441	Flange (1440/1660)		1
	C-2620461	Flange (1860)		1
10	TS-1490031	Hex Cap Bolt	M8x20	1
11	C-R71-1-01	Oil Cup	6	1
12	KEY5512	Key	5x5x12	1
13	C-GB1099-79	Half Round Key	5x19	1
14	C-2610482	Shaft (1440/1660)		1
	C-2620502	Shaft (1860)		1
15	TS-1523021	Set Screw	M6x8	1
16	C-2600160	Shaft Gear for Crossfeed Screw		1
17	TS-1491031	Hex Cap Bolt	M10x25	1
18	C-2320700	Sleeve (1440/1660)		1
	C-2320690	Sleeve (1860)		1
19	C-2310131	Pad		1
20	C-2600540	Nut		1
21	C-2310120	Wedge		1
22	C-2600530	Nut		1
24	C-2600680	Feed Screw Assy. (w/nuts 20,21,22)		1
26	BB-8103	Bearing		2
27	C-7310150	Flange		1
28	C-R71-1-01	Oil Cup	6	1
29	C-GB812-76	Round Nut	M16x1.5	2
30	TS-1503091	Hex Socket Cap Screw	M6x40	1
31	C-2310380	Screw		1
32	C-GB118-76-0860	Taper Pin	8x60	4
33	C-2310230	Front Press Plate		1
34	TS-1506071	Hex Socket Cap Screw	M12x50	4
35	C-2600270	Scrapper		1
36	TS-1503041	Hex Socket Cap Screw		8
37	TS-1492041	Hex Cap Bolt	M12x40	4
38	TS-1491041	Hex Cap Bolt	M10x30	4
39	TS-1540071	Nut	M10	4
40	C-2310220	Plate		1
41	C-2310210	Pressure Plate		1
42	C-2310200	Plate		1
43	C-2310190	Pressure Plate		1
44	C-2600300	Scrapper		1
45	C-2600310	Scrapper		1
46	C-2600110	Cross Slide Bed		1
47	C-2310241	Pressure Plate		1
49	C-2310250	Front Press Plate		1
50	C-G38-2	Oil Plug		2
51	C-2310261	Screw		2
52	C-2600290	Scrapper		1

53	TS-1505041	Hex Socket Cap Screw	M10x30	2
54	C-A31-8	Copper Pipe		1
55	C-A86-2	Wool Line		1
56	C-2310360	Oil Reservoir		1
57	C-2310370	Cover		1
58	C-J21-11	Gib Screw	M10x30	1
59	C-R71-1-02	Oil Cup		1
60	C-2340422	Slide Plate		1
61	C-2310400	Pressure Pad		1
62	C-2310410	Screw		1
63	C-2310430	Lever		1
64	C-2310420	Stop Pin		1
65	C-J21-11	Gib Screw	M10x30	1
66	C-2610530	Gib (1440/1660)		1
	C-2620450	Gib (1860)		1
67	C-2610510	Scraper (1440/1660)		1
	C-2620510	Scraper (1860)		1
68	TS-1534052	Screw	M6x16	6
69	C-Q29-1-01	Steel Ball	6	1
70	C-Q81-1A-04	Spring	3x27x10	1
71	C-1710180	Handle Shaft		1
72	C-1710190	Taper Sleeve		1
73	C-2690140	Lever Core		1
74	C-2690130	Lever Sleeve		1

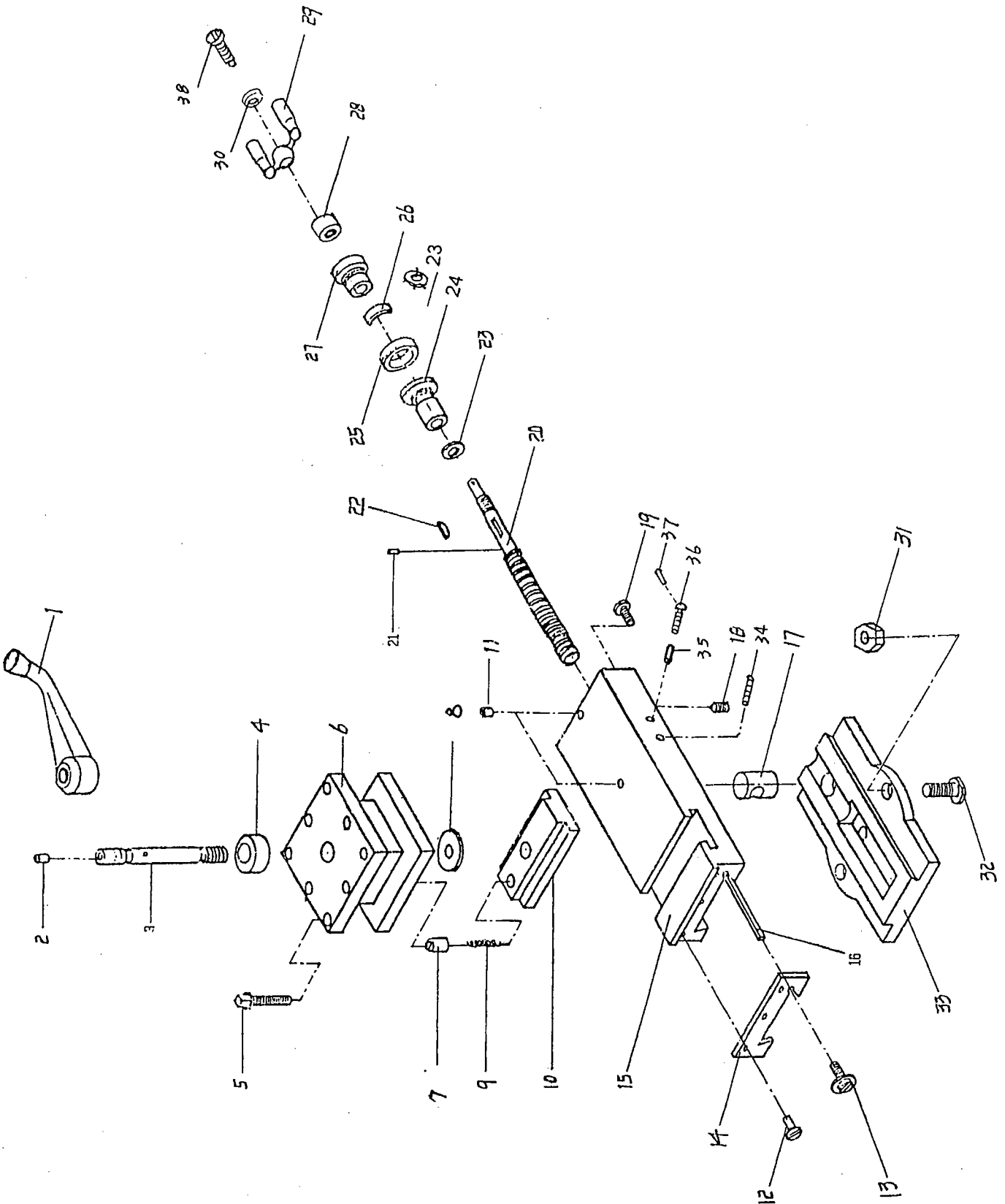
# Layer Attachment



## Taper Attachment Assembly

1	C-R71-1	Oiler	6	5
2	TS-1504021	Hex Socket Cap Screw	M8x12	2
3	C-7310220	Pressure Plate		1
4	C-GB118-76-0830	Taper Pin	8x30	2
5	TS-1505011	Hex Socket Cap Screw	M10x16	2
6	C-7310210	Support		1
7	C-7310130	Slide Block		1
8	TS-1503131	Hex Socket Cap Screw	M6x60	2
9	C-7310230	Shaft		1
10	C-7310240	Guide Way Clamp		1
11	C-7310290	Adjusting Screw		1
12	C-7310280	Gib		1
13	C-GB119-76-0406	Cylinder Pin	4M6*6	1
14	C-7310190	Micro Adjusting Nut		1
15	C-7310300	Worm		1
16	C-7310310	Cover		1
17	C-7310320	Turning Lever		1
18	C-GB117-76-0320	Conical Pin	3x20	1
19	C-GB65-76	Head Screw	M8x16	1
20	C-7310250	Shaft		1
21	C-7310200	Copy Ruler		1
22	C-731-370	Gib		1
23	C-7310120	Taper Plate		1
24	TS-1540081	Nut	M12	1
26	C-7310180	Screw		1
27	TS-1494031	Hex Cap Screw	M16x40	2
28	C-GB118-76-0840	Taper Pin	8x40	1
29	C-7310110	Body		1
30	TS-1490071	Set Screw	M8x40	3
31	C-GB54-76-00	Nut	M10	3
32	C-7310330	Support Rod		1
33	C-7310340	Nut		2
34	C-GB849-76	Ball Face Washer	20	2
35	C-GB850-76	Ball Face Washer	20	2
36	C-7310170	Pressure Plate		1
37	C-7310350	Base		1
38	TS-1494061	Hex Cap Bolt	M16x70	2
39	C-GB119-76-0635	Cylinder Pin	6M6x35	2
40	C-7310370	gib		1

our Way Tool Post

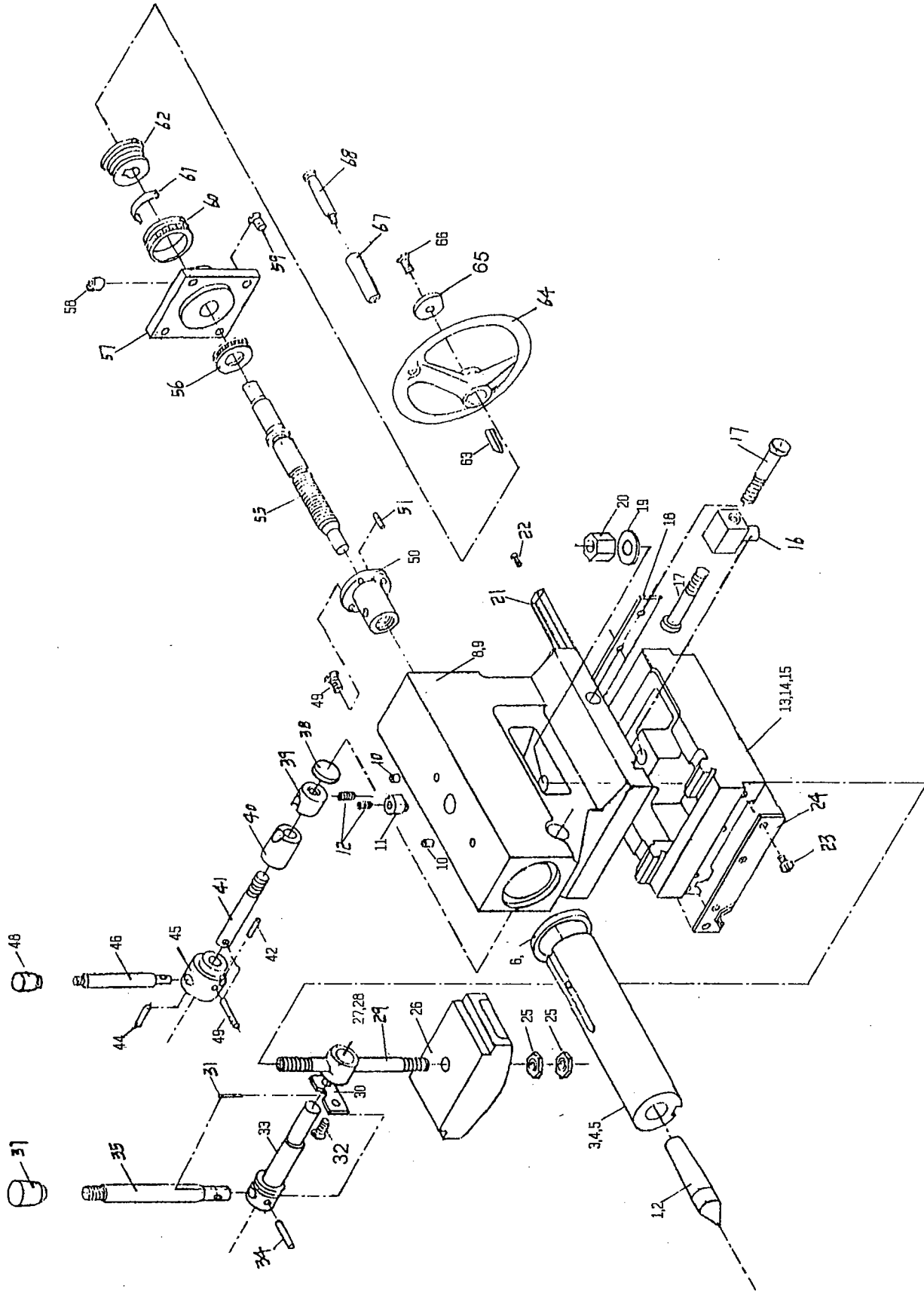




### Four Way Toolpost Assembly

1	C-3300160	Handle		1
2	C-R71-1-02	Oiler	10	1
3	C-3300141	Shaft		1
4	C-2710190	Sleeve		1
5	C-GB83-76	Screw	M12x50	8
6	C-3320140	Toolpost Base (1440)		1
	C-3230142	Toolpost Base (1660,1860)		1
7	C-3300130	Positioning Pin		1
8	C-3300170	Washer		1
9	C-Q81-1A-05	Spring		1
10	C-3300150	Locking Block		1
11	C-R71-1-01	Oiler	6	1
12	TS-1534052	Screw	M6X16	5
13	C-3300190	Pin		1
14	C-2710250	Scrapper (1660)		1
	C-3300180	Scrapper (1440,1860)		1
15	C-3300122	Upper Toolpost (1440,1880)		1
	C-3320112	Upper Toolpost (1660)		1
16	C-2710120	Gib (1660)		1
	C-3200130	Gib (1440,1860)		1
17	C-3090320	Nut	1/8	1
18	TS1524041	Screw	M8x16	1
19	C-GB65-76	Screw	M8x30	1
20	C-3090341	Lead Screw		1
21	C-GB119-76-0508	Pin	5M6x8	1
22	KEY5519	Key	5x19	1
23	BB-8103	Bearing		2
24	C-2710241	Eccentric Sleeve		1
25	C-3090120	Outer Ring Dial		1
26	C-Q67-4A-32-01	Spring Leaf		1
27	C-3090111	Inner Ring Dial		1
28	C-3300200	Spacer		1
29	C-2710222	Lever		1
30	C-GB891-86A	Washer	B12	1
31	TS-1540081	Nut	M12	2
32	C-2710230	Screw	12	2
33	C-3200111	Base (1440)		1
	C-3220121	Base (1660)		1
	C-3230110	Base (1860)		1
34	C-2310420	Pin		1
35	C-2710260	Compression Spacer		1
36	C-2310410	Screw		1
37	C-2310430	Lever		1
38	C-GB819-76	Screw	M5X12	1

# Tailstock Assembly

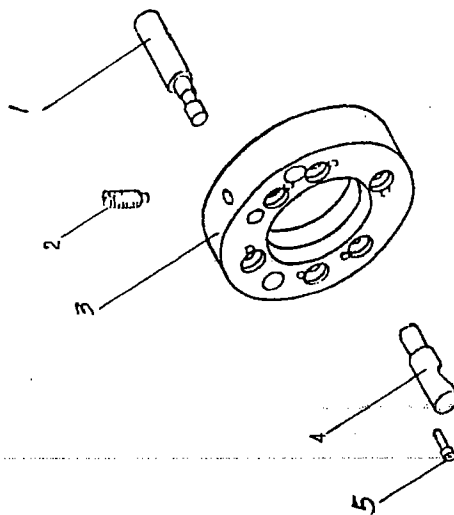
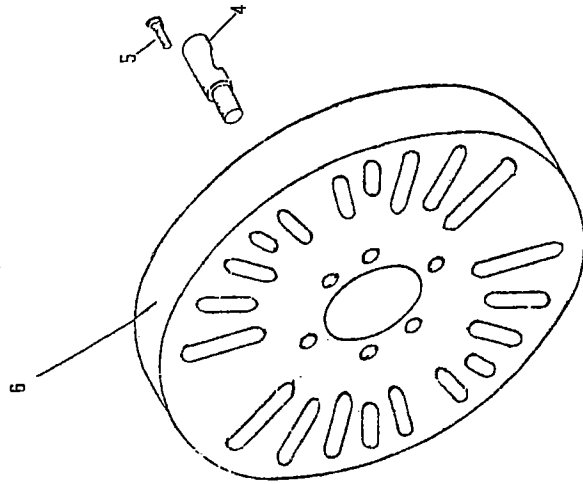


## Tailstock Assembly

1-2	C-S25-2	Center	MT4	1
3-5	C-3630110	Quill		1
6	C-3410571	Seal Ring		1
8-9	C-3420112	Tailstock Body (1440)		1
	C-3430101	Tailstock Body (1660/1860)		1
10	C-R71-1-01	Oiler	6	2
11	C-3410421	Key		1
12	TS1523021	Set Screw	M6x8	2
13-15	C-3420311	Tailstock Base (1440/1660)		1
	C-3440322	Tailstock Base (1860)		1
16	C-3410400	Nut		1
17	TS-1506141	Hex Socket Cap Screw	M12x90	2
18	C-3500541	Scraper		1
19	TS-1550111	Washer	M20	1
20	TS-1540121	Nut	M20	1
21	C-3410491	Label		1
22	C-GB867-76-02	Rivet	2*6	4
23	TS-1534042	Screw	M6x12	4
24	C-350054	Scraper		1
25	C-GB54-76-02	Nut	M20x1.5	2
26	C-3410301	Plate		1
27-29	C-3420262	Rod (1440/1660)		1
	C-3440271	Rod (1860)		1
30	C-3410250	Baffle		1
31	C-GB119-76-0316	Pin	3M6x16	1
32	TS-1534042	Screw	M6x12	2
33	C-3410240	Eccentric Shaft		1
34	C-GB117-76-0440	Pin	4x40	1
35	C-3410440	Lever Handle		1
37	C-3410340	Knob		1
38	C-3410350	Plug		1
39	C-3410361	Block		1
40	C-3410381	Block		1
41	C-3410370	Rod		1
42	C-GB119-76-0520	Pin	5M6x20	1
43	C-GB117-76-0550	Pin	5x50	1
44	C-GB117-76-0430	Pin	4x30	1
45	C-3410392	Handle Base		1
46	C-3410430	Handle		1
48	C-3410410	Knob		1
49	TS-1534051	Screw		5
50	C-3410171	Threaded Flange		1
51	C-GB117-76-0420	Pin	M4x20	1
55	C-3410161	Screw Rod		1
56	BB-8205	Bearing		1
57	C-3410192	Flange		1
58	C-R71-1-02	Oiler	10	1
59	TS-1504041	Hex Socket Cap Screw	M8x20	4
60	C-Q67-4A-31	Graduated Dial		1

61	C-Q67-4A-32	Spring Leaf	50	1
62	C-3410500	Inner Ring		1
63	KEY6640	Key	6x40	1
64	C-3410201	Hand Wheel		1
65	C-3410210	Washer		1
66	C-GB67-76	Screw	M8x14	1
67	C-1710190	Wheel Handle		1
68	C-1710180	Handle Core		1
	C-3630110	Bushing (Not Shown)		1

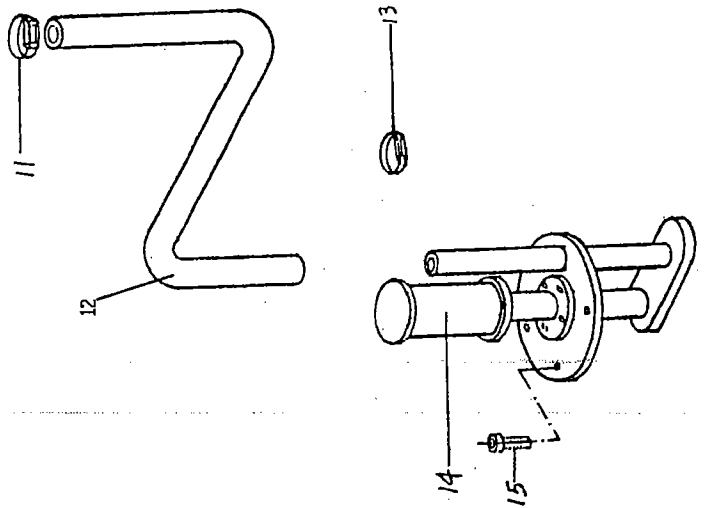
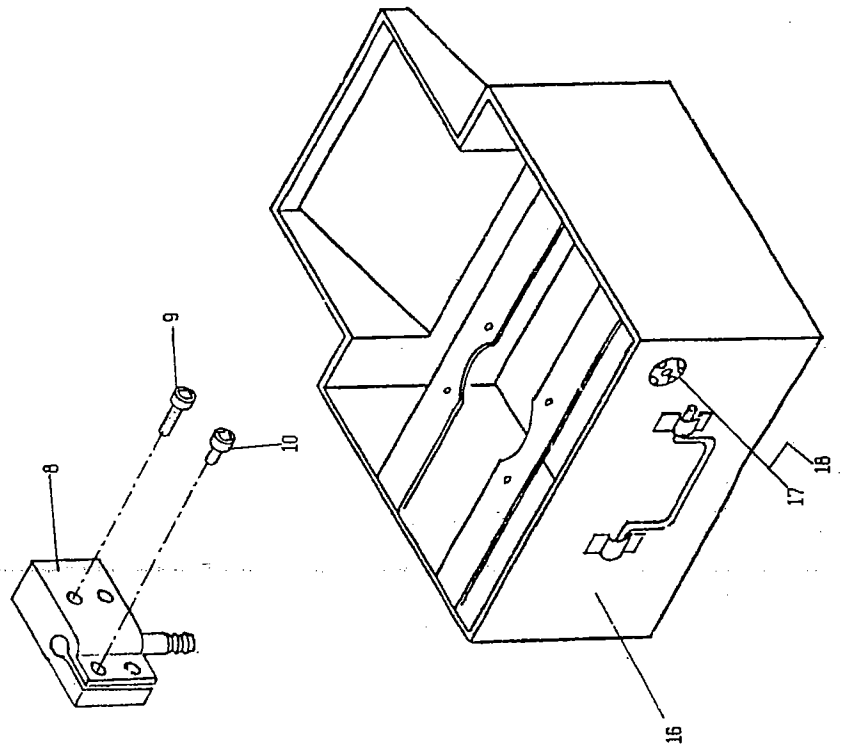
# Faceplate Assembly



### Faceplate Assembly

1	.....C-6030120.....	Lever.....	1	
2	.....C-GB78-76-1025.....	Screw.....	M10x25.....	4
3	.....C-6030170.....	Base Plate.....	1	
4	.....C-6030140.....	Camlock Stud.....	6	
5	.....TS-1504031.....	Hex Socket Cap Screw.....	M8x16.....	6
6	.....C-6230440.....	Faceplate Body.....	1	

# Coolant Assembly

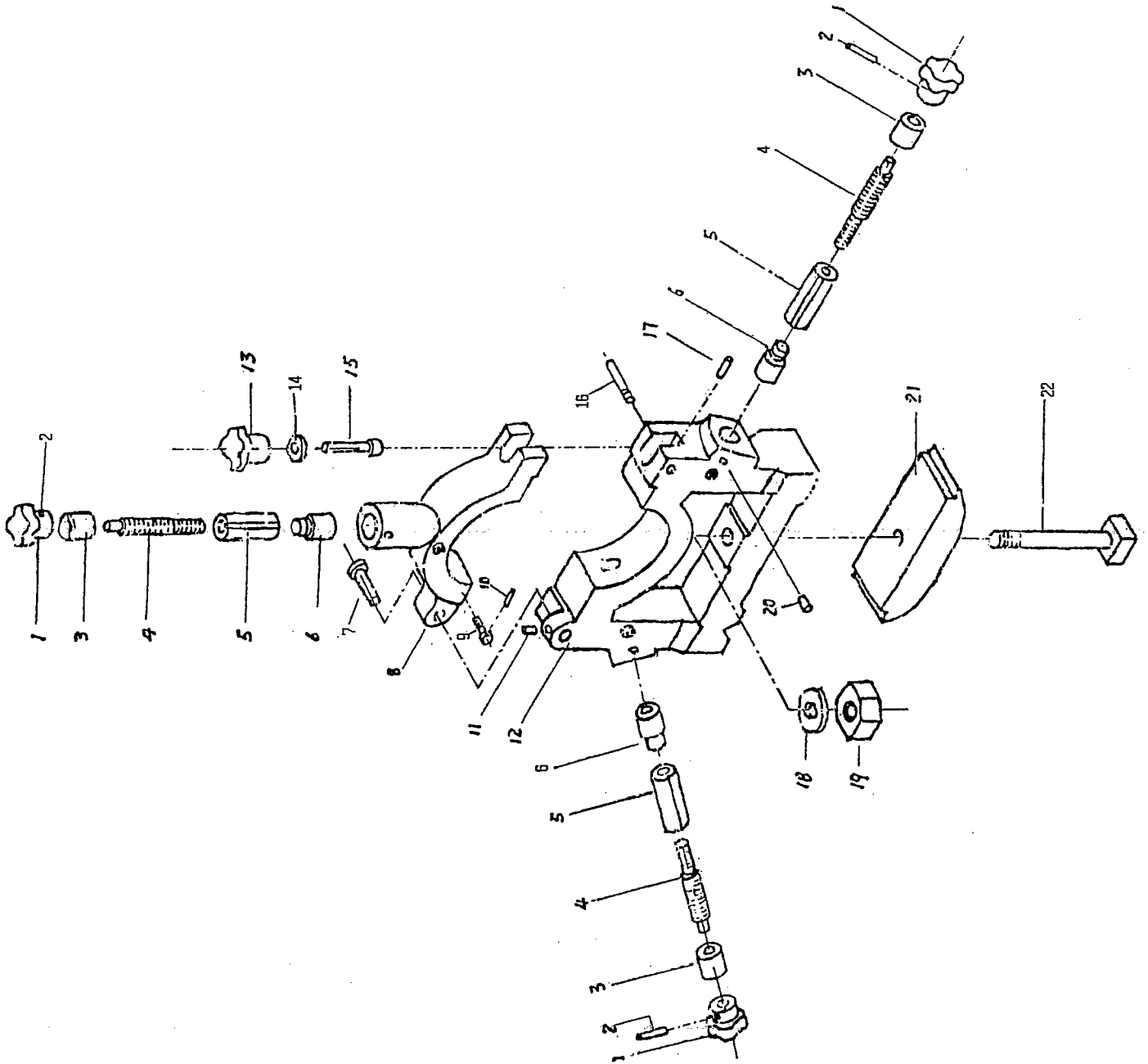


## Coolant Assembly

8	C-6410140	Pipe Base		1
9	TS-1504071	Hex Socket Cap Screw	M8x35	2
10	TS-1504041	Hex Socket Cap Screw	M8x20	2
11	G-31-9	Hose Clamp		2
12	C-PUC19x2000	Coolant Hose		1
13	C-G31-9	Hose Clamp		1
14	C-AOB-25	Coolant Pump		1
15	TS-1503031	Hex Socket Cap Screw	M6x12	4
16	C-6450100	Coolant Tank		1
17	C-6450170	Coolant Level Indicator Base		1
18	C-R51-3	Coolant Level Indicator		1



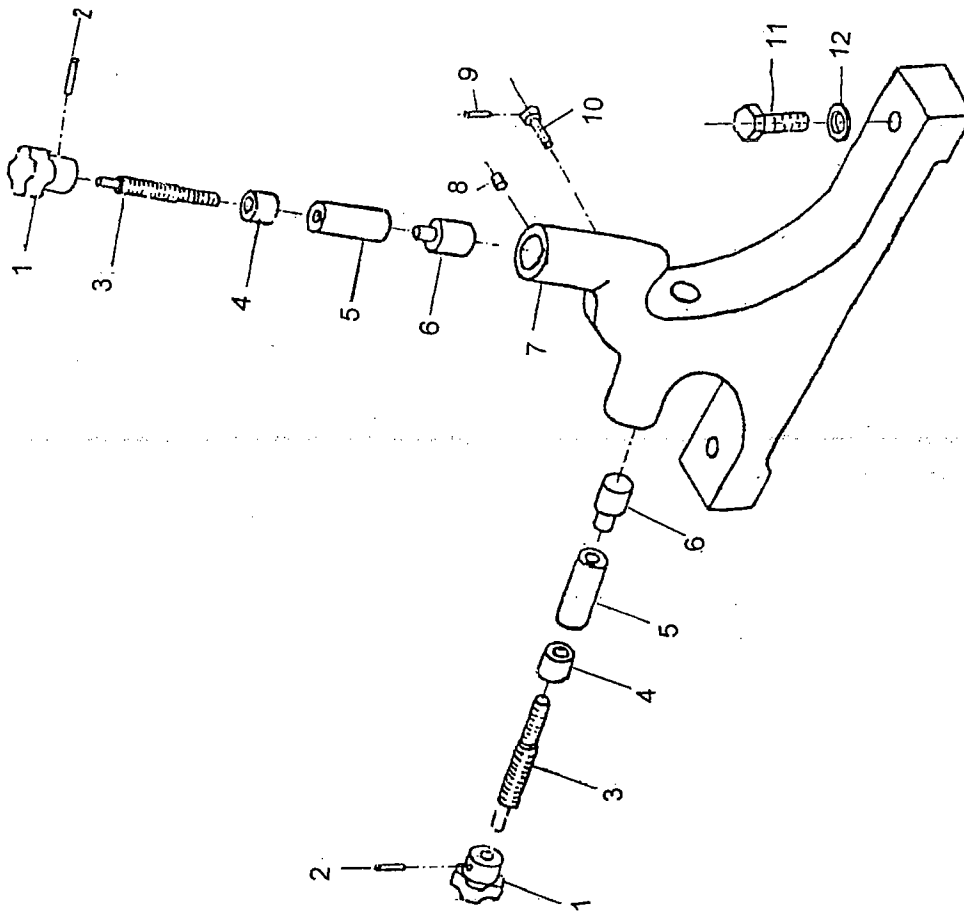
# Steady Rest Assembly



## Steady Rest Assembly

1	C-6710200	Knob	3
	C-6710210	Insert Sleeve (not shown)	3
2	C-GB119-76	Pin	4M6x30 3
3	C-6710220	Screw Sleeve	3
4	C-6710230	Screw Rod	3
5	C-6710240	Slide	3
6	C-6950230	Push Head	3
7	C-6710290	Shaft	1
8	C-6710110	Upper Body (1440)	1
	C-6730300	Upper Body (1660)	1
	C-6750320	Upper Body (1860)	1
9	C-6710260	Stop Rod	1
10	C-GB119-76-0640	Pin	6M6x40 1
11	TS-1523041	Screw	M6x12 1
12	C-6710160	Lower Body (1440)	1
	C-6730310	Lower Body (1660)	1
	C-6750330	Lower Body (1860)	1
13	C-6710130	Knob	1
	C-6710140	Insert Sleeve (not shown)	1
14	C-GB891-86A	Washer	B12 1
15	C-6710150	Screw Rod	1
16	C-6710120	Shaft	1
17	C-GB75-76-0616	Screw	M6x16 1
18	TS-1550111	Washer (1440/1660)	M20 1
	TS-1550121	Washer (1860)	M24 1
19	TS-1540121	Nut (1440/1660)	M20 1
	TS-1540231	Nut (1860)	M24 1
20	C-GB75-76-1016	Screw	M10x16 1
21	C-6710280	Pressure Plate (1440/1660)	1
	C-6750360	Pressure Plate (1860)	1
22	C-6710270	Screw Rod (1440/1660)	1
	C-6750350	Screw Rod (1860)	1

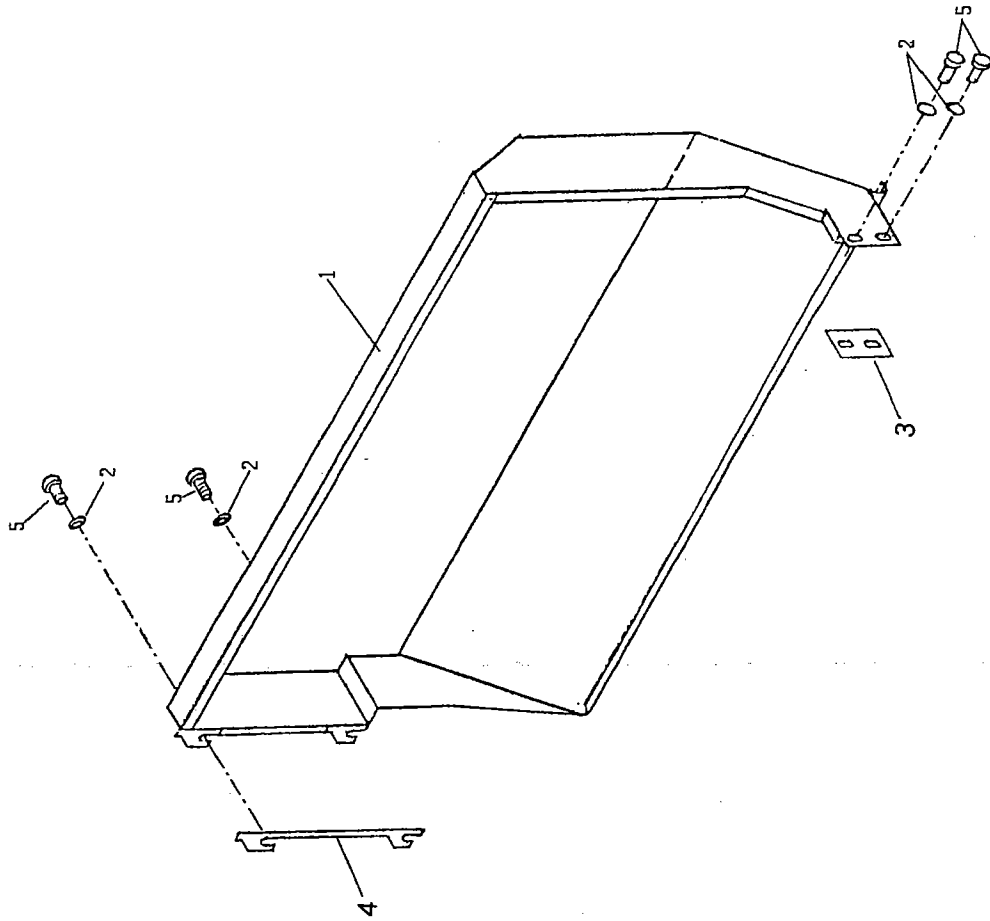
# Follow Rest Assembly



### Follow Rest Assembly

1	.....C-6710200.....	Knob.....	.....	2
	.....C-671021.....	Insert Ring (not shown).....	.....	2
2	.....C-GB119-76-0430 .....	Pin.....	4M6x30 .....	2
3	.....C-6950210.....	Screw Rod .....	.....	2
4	.....C-6710220.....	Screw Sleeve.....	.....	2
5	.....C-6950220.....	Slide Sleeve.....	.....	2
6	.....C-6950230.....	Push Head .....	.....	2
7	.....C-6950110.....	Body (1440) .....	.....	1
	.....C-6960120.....	Body (1660) .....	.....	1
	.....C-6970130.....	Body (1860) .....	.....	1
8	.....C-GB72-76 .....	Screw.....	M10x12 .....	1
9	.....C-GB119-76-0640 .....	Pin.....	6M6x40 .....	1
10	.....C-6710260.....	Stop Rod.....	.....	1
11	.....TS-1492061.....	Hex Cap Bolt.....	M12x60 .....	2
12	.....TS-1550081.....	Washer .....	M12.....	2

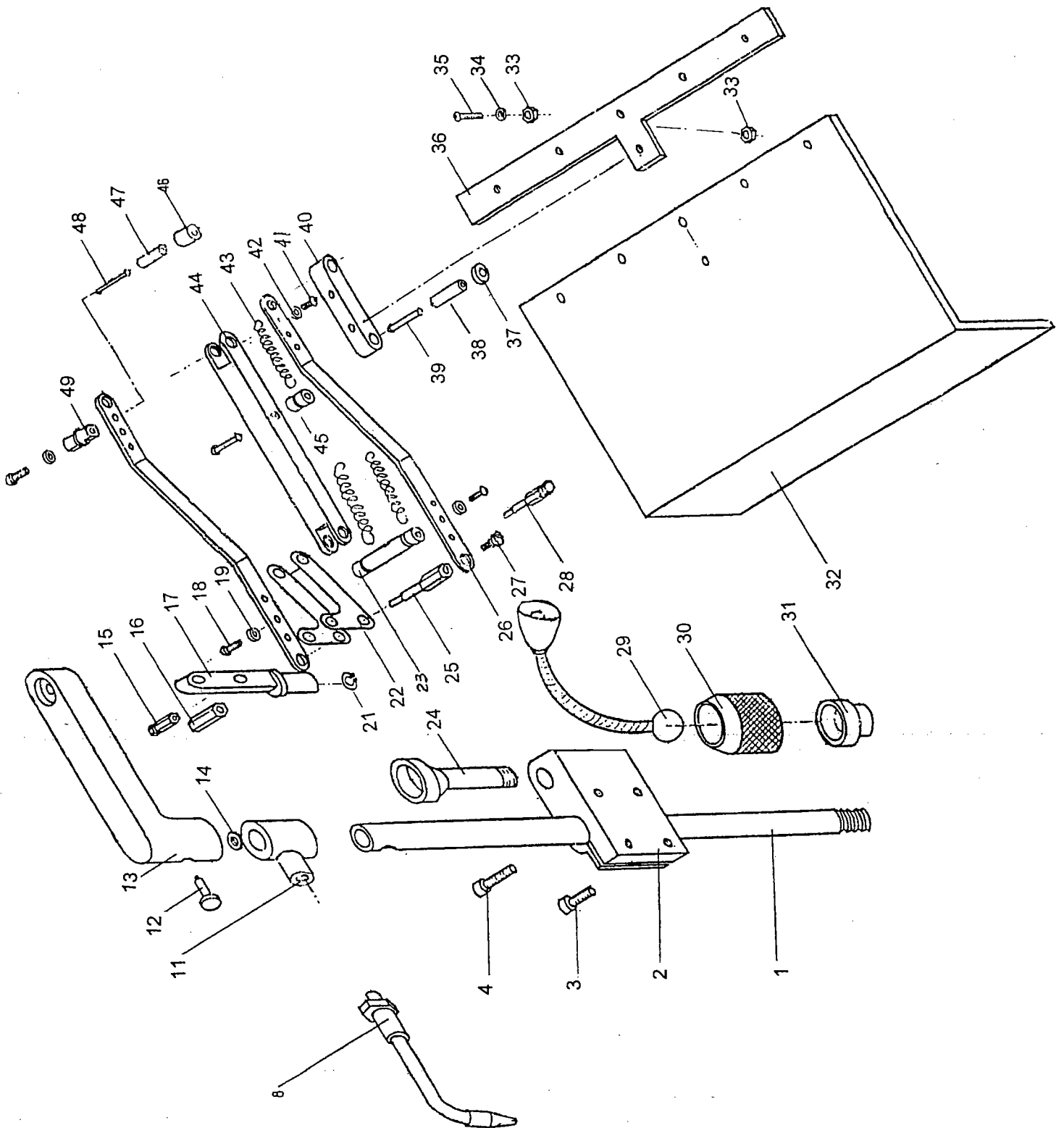
# Backsplash Assembly



### Backsplash Assembly

1	C-970000A	Backsplash (1440)	1
	C-970000B	Backsplash (1660/1860)	1
2	TS-1551041	Lock Washer	M6 4
3	C-9700160	Rubber Gasket	1
4	C-9700140	Rubber Gasket	1
5	TS-1503011	Hex Socket Cap Screw	M6x8 4

# Coolant / Worklight Assembly

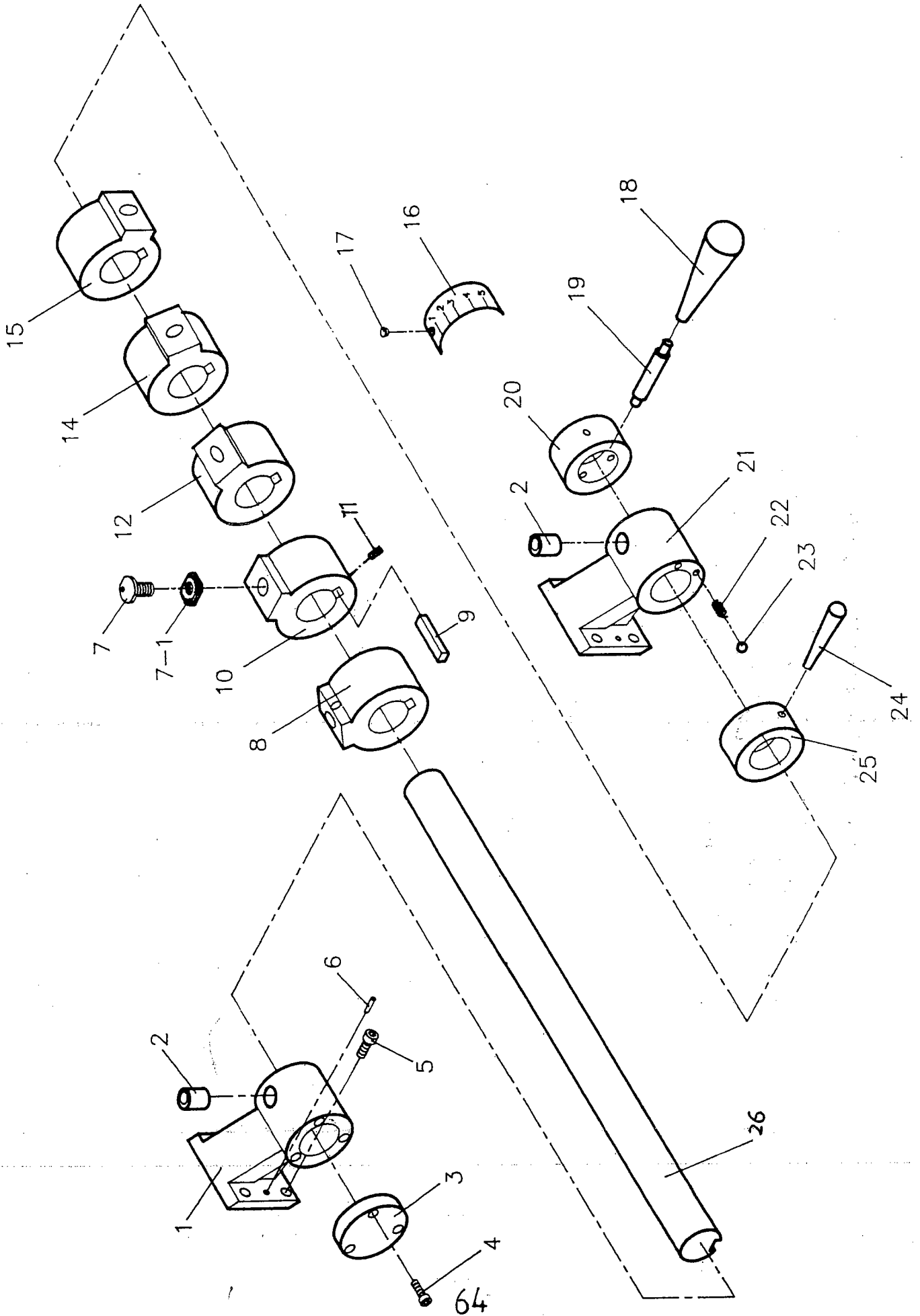


### Coolant/Work Light Assembly

1	C-7910350	Pipe		1
2	C-6410140	Pipe Base		1
3	TS-1504041	Hex Socket Cap Screw	M8x20	2
4	TS-1504071	Hex Socket Cap Screw	M8x35	2
5	JR202	Soft Pipe		1
11	C-7910320	Swing Body		1
12	C-7910260	Screw		1
13	C-7910250	Joint Sleeve		1
14	C-G51-9	O-Ring	24*2.4	1
15	C-7910190	Nut		1
16	C-7910210	Nut		1
17	C-7910240	Support		1
18	TS-1504042	Screw	M6x12	1
19	TS-1550041	Washer	M6	1
21	C-GB894-76-20	C-Clip	20	1
22	C-7910160	Chain Plate		2
23	C-7910280	Shaft		1
24	C-4210332	Socket		1
25	C-7910230	Screw		1
26	C-7910150	Link Rod		2
27	C-7910220	Screw		1
28	C-7910200	Screw		1
29	<del>JE-11</del> C-WL	Lamp Unit		1
30	C-4210312	Cover		1
31	C-4210322	Rubber Pad		1
32	C-7910110	Plate		1
33	TS-1540041	Nut	M6	5
34	TS-1550041	Washer	M6	5
35	TS-1534051	Screw		5
36	C-7910120	Plate		1
37	C-7910300	Spacer		1
38	C-7910290	Spacing Collar		1
39	C-GB117-76-0430	Pin	4x30	2
40	C-7910131	Link Rod		1
41	TS-1534041	Screw	M6x12	1
42	TS-1550041	Washer	M6	1
43	C-Q81-3	Spring		1
44	C-7910140	Link Rod		1
45	C-791027	Spacing Collar		1
46	C-7910180	Spacing Collar		1
47	C-7910170	Spacing Collar		1
48	C-GB867-76-03	Rivet	4x30	1
49	C-7910310	Nut		1



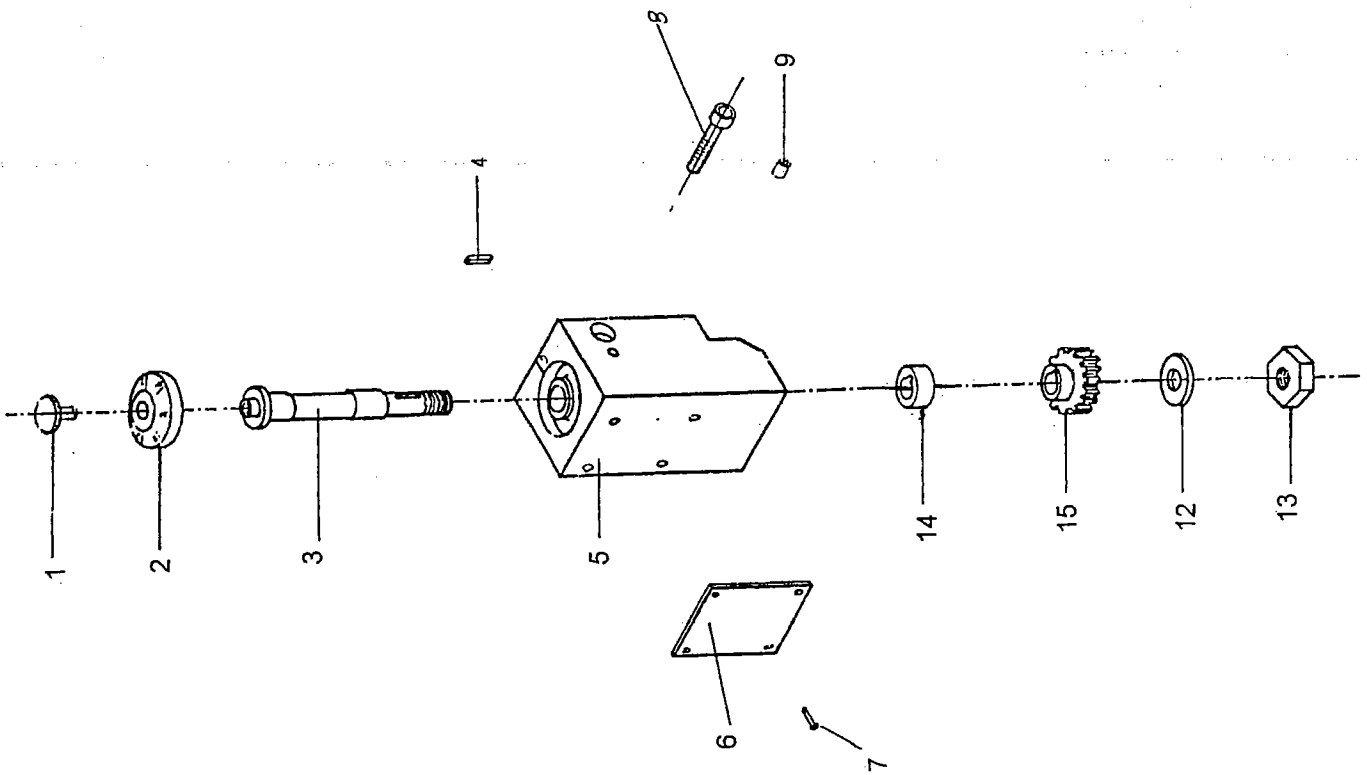
# Carriage Stop Assembly



## Carriage Stop Assembly

1	C-8010121	Bracket		1
2	C-R71-1-02	Oiler	10	2
3	C-8010110	Cover		1
4	TS-1533051	Screw	M5x16	3
5	TS-1504031	Hex Socket Cap Screw	M8x16	8
6	C-GB117-76-0825	Pin	8x25	1
7	C-8050130	Touch Block		5
7-1	C-GB812-86	Jam Nut		5
8	C-8050140	Spacer Bushing		1
9	C-8010301	Slide Key		5
10	C-8050150	Spacer Bushing		1
11	TS-1504011	Hex Socket Cap Screw	M8x10	5
12	C-8010161	Spacer Bushing		1
14	C-8050170	Spacer Bushing		1
15	C-8050180	Sleeve		1
16	C-8010240	Label		1
17	C-GB867-76-02	Rivet	2*6	2
18	C-8010210	Handle		1
19	C-8010200	Lever Rod		1
20	C-8010221	Sleeve		1
21	C-8010231	Holder		1
22	C-Q81-1-05	Spring		1
23	C-Q29-1-02	Steel Ball	7.938	1
24	C-GB118-76-0660	Taper Pin	6x60	1
25	C-8010191	Sleeve		1
26	C-8030271	Shaft (1440)		1
	C-8040281	Shaft (1660/1860)		1

# Thread Cutting Dial

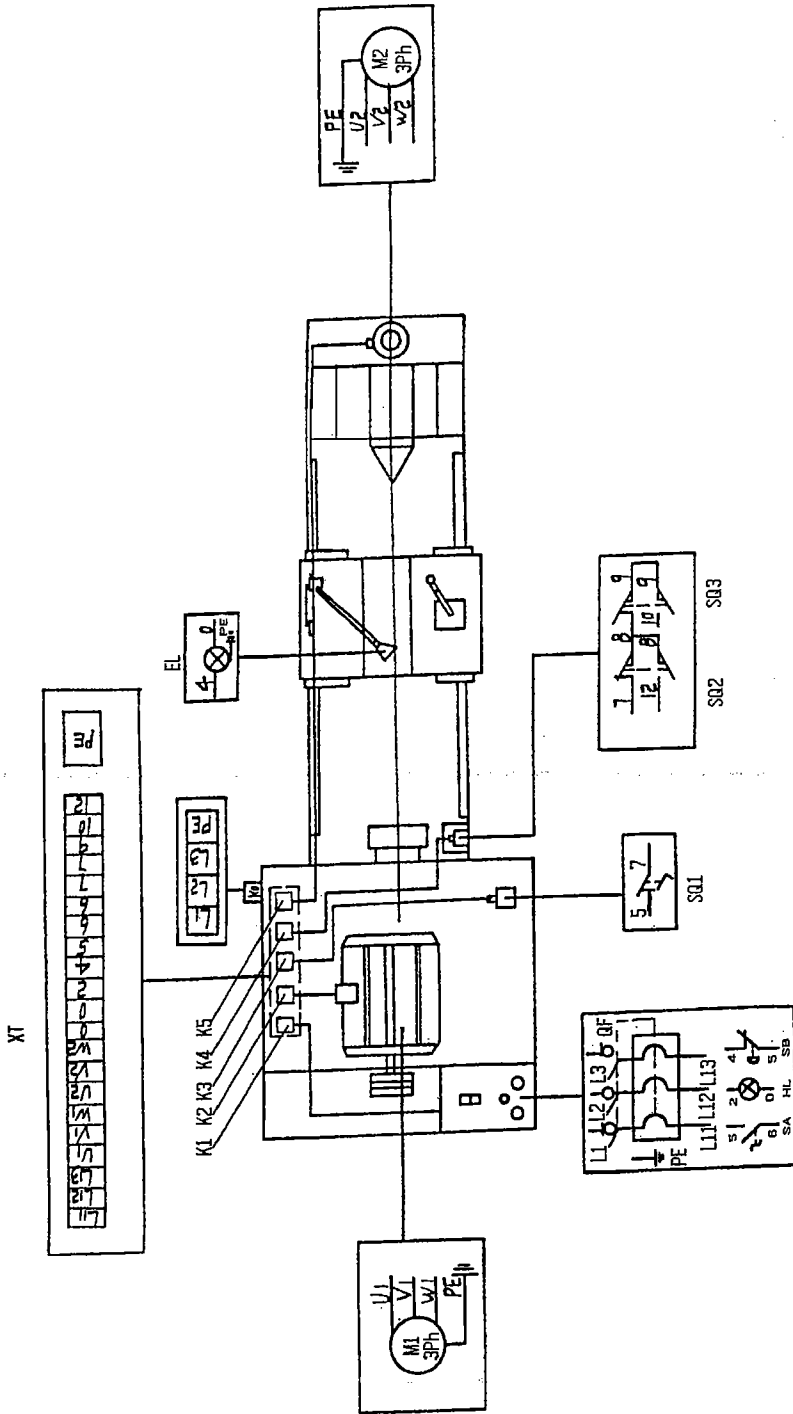


Thread Cutting Dial Assembly -- C-812000 ASSY.

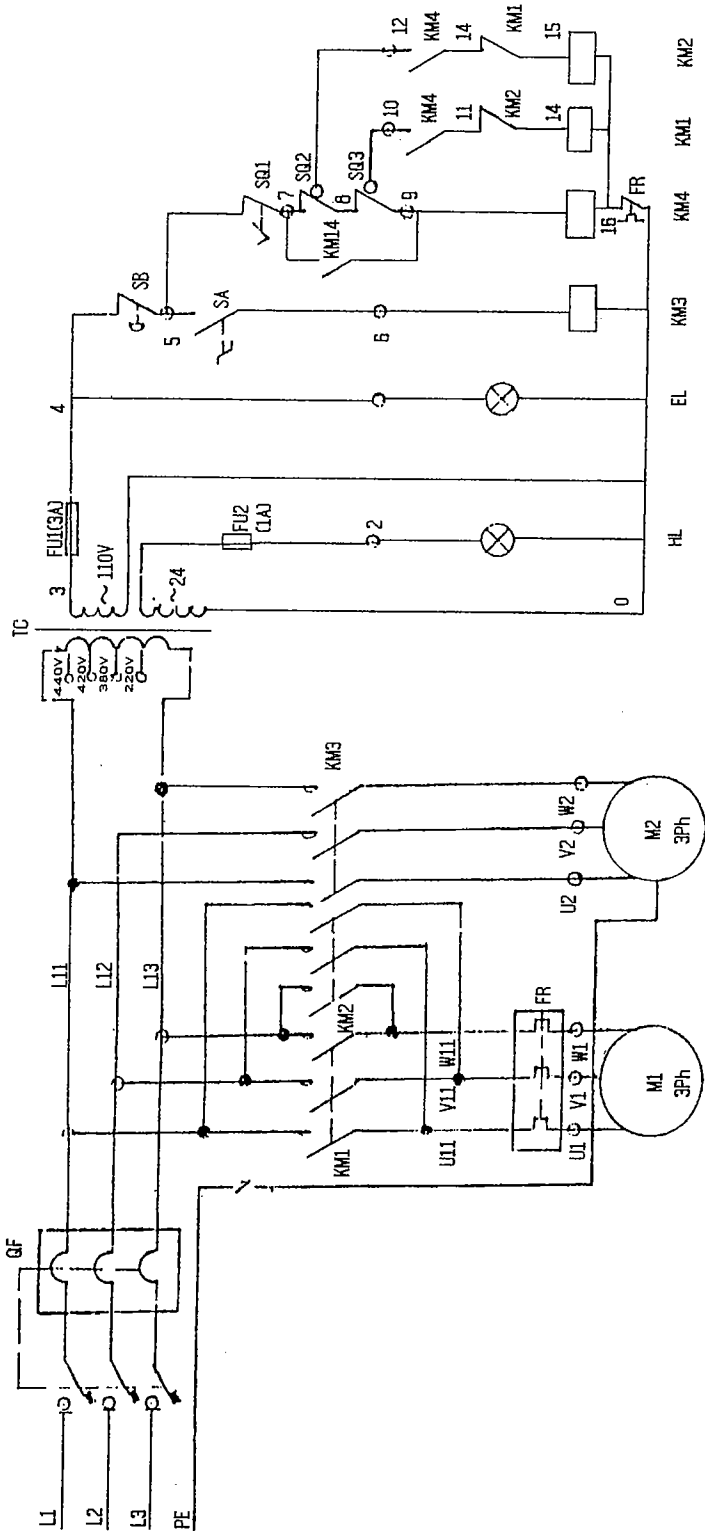
1	C-8110160	Screw	1
2	<del>C-8110170</del>	Scale Plate	1
3	C-8110150	Shaft	1
4	KEY6616	Key 4x16	1
5	C-8120120	Main Body	1
6	C-8130220	Label	1
7	C-GB867-76-01	Rivet 2x4	4
8	TS-1504121	Hex Socket Cap Screw M8x60	1
9	C-R71-1-01	Oiler 6	1
12	TS-1550081	Washer M12	1
13	TS-1540083	Nut M12x1.25	1
14	C-8110200	Bushing	1
15	C-8110211	Gear	1

② - C-812000

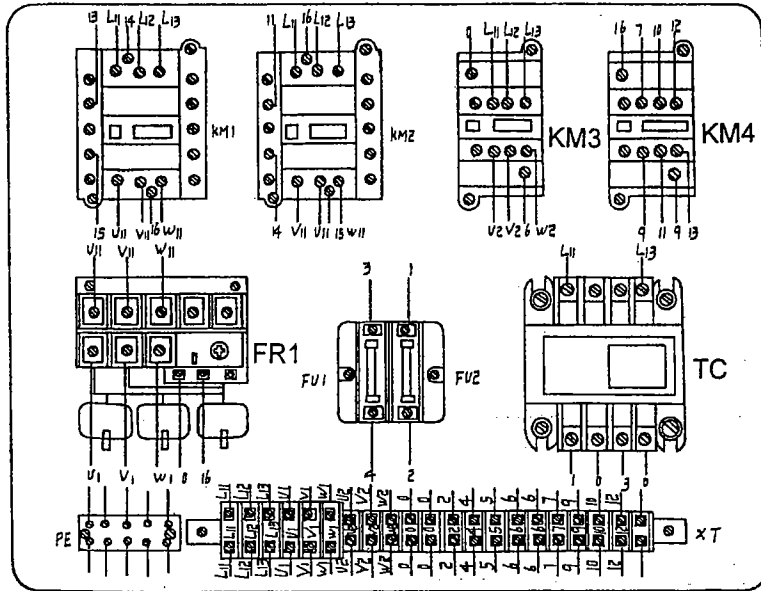
# Electrical Schematic



# Electrical Schematic



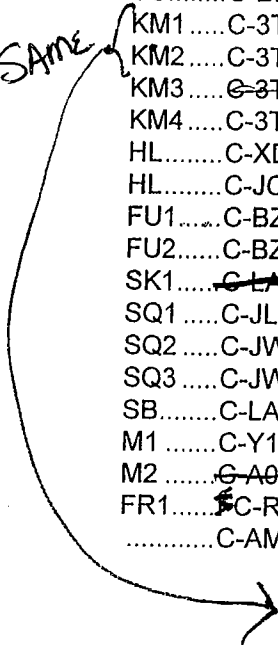
Electrical Panel Schematic



### Electrical Panel

QF	C-AM2-40TH	Main On-Off Switch	32A	1
TC	C-BK-180/160	Transformer	0AG1	1
KM1	C-3TB4317-1	Forward Magnetic Starter	0AG1	1
KM2	C-3TB4317-2	Reverse Magnetic Starter	0AG1	1
KM3	<del>C-3TH8040</del> C-3TH8040	Coolant Pump Magnetic Starter	0EG1	1
KM4	C-3TH8040	Magnetic Controller	0EG1	1
HL	C-XDX1-W	Power Indicator	24V	1
HL	C-JC-11TH	Work Light	110V	1
FU1	C-BZ003ATH	Fuse	3A	1
FU2	C-BZ001ATH	Fuse	1A	1
SK1	<del>C-LAY3-01ZS/1</del>	Button	LAY3-01ZS/1	1
SQ1	C-JLXK-411	Emergency		1
SQ2	C-JW2-11Z/3TH	Forward Micro Switch		1
SQ3	C-JW2-11Z/3TH	Reverse Micro Switch		1
SB	C-LAY3-01ZS/1	Foot Brake		1
M1	C-Y132S-4TH	Main Motor		1
M2	<del>C-A0B-25TH</del> CP-10	Coolant Pump Motor		1
FR1	<del>C-RCA3737A</del> MELH73	Thermal Relay	C-RCA3737A	1
	C-AM130	Main Power Switch		1

SAME



C-3TB4417-0AG1

C-LXW3W - switch

C-LAY-112S/1

C-LAY3-01ZS/1

LAY3-01ZS/1  
 emergency stop switch