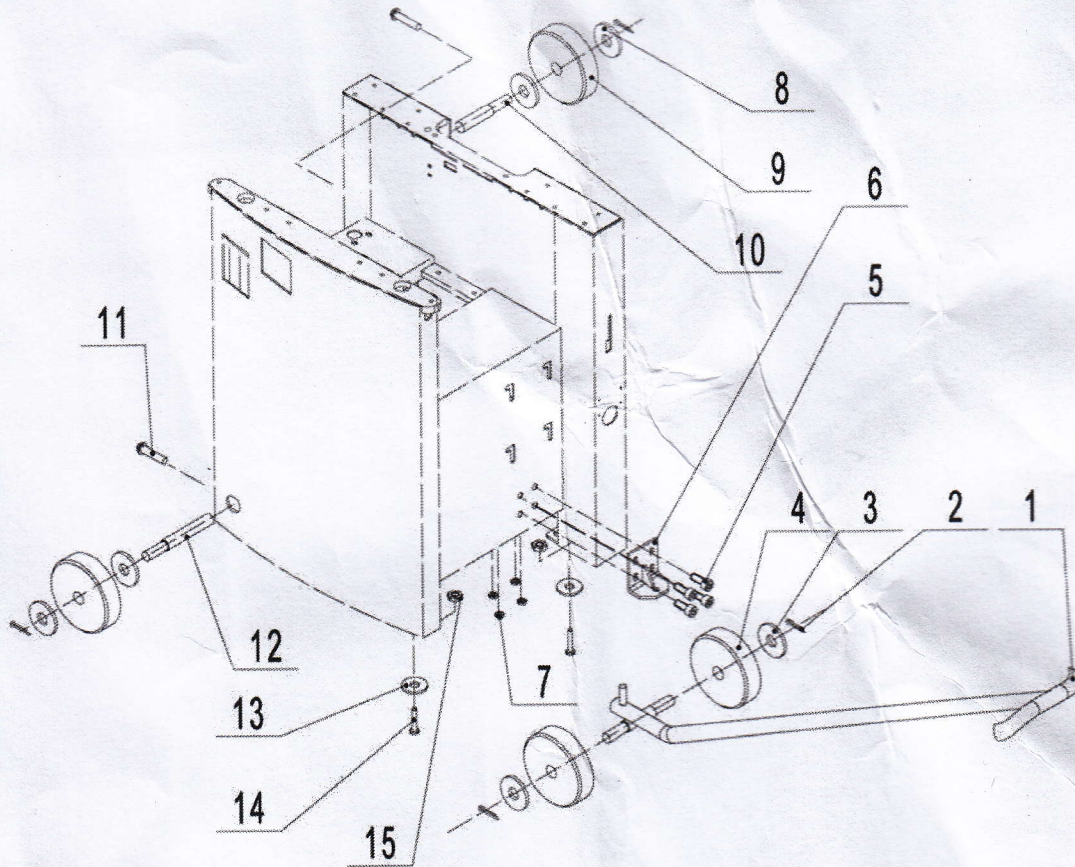


10000296_Mobility Kit for JPT-310 & JPT-410



| Pos. | Article number | Description | Pcs |
|-------|-------------------|----------------|-----|
| No.1 | 1-JL26092000-001Y | Towbar | 1 |
| No.2 | 1-PIN3X35GB91Z | Split pin | 4 |
| No.3 | 1-WSH14GB97D1Z | Washer | 2 |
| No.4 | 1-JL26090003 | Tow | 2 |
| No.5 | 1-M8X20GB70D2B | Hex Screw | 4 |
| No.6 | 1-JL43100007-001Z | Mounting plate | 1 |
| No.7 | 1-M8GB6177D1Z | Nut | 4 |
| No.8 | 1-WSH16GB96Z | Washer | 4 |
| No.9 | 1-JL43100001 | Tow | 2 |
| No.10 | 1-JL43100002 | Wheel spindle | 1 |
| No.11 | 1-M10X40GB70D2B | Screw | 2 |
| No.12 | 1-JL43100003 | Wheel spindle | 1 |
| No.13 | 1-JL43100006 | Subplate | 2 |
| No.14 | 1-M10X25GB70D3Z | Screw | 2 |
| No.15 | 1-M10GB6177D1Z | Nut | 2 |