

JET

JWL-2035-M **WOOD LATHE**
JWL-2020-M

JWL-2035-M.....1~230V, 50Hz

JWL-2020-M.....1~230V, 50Hz

PARTS LIST

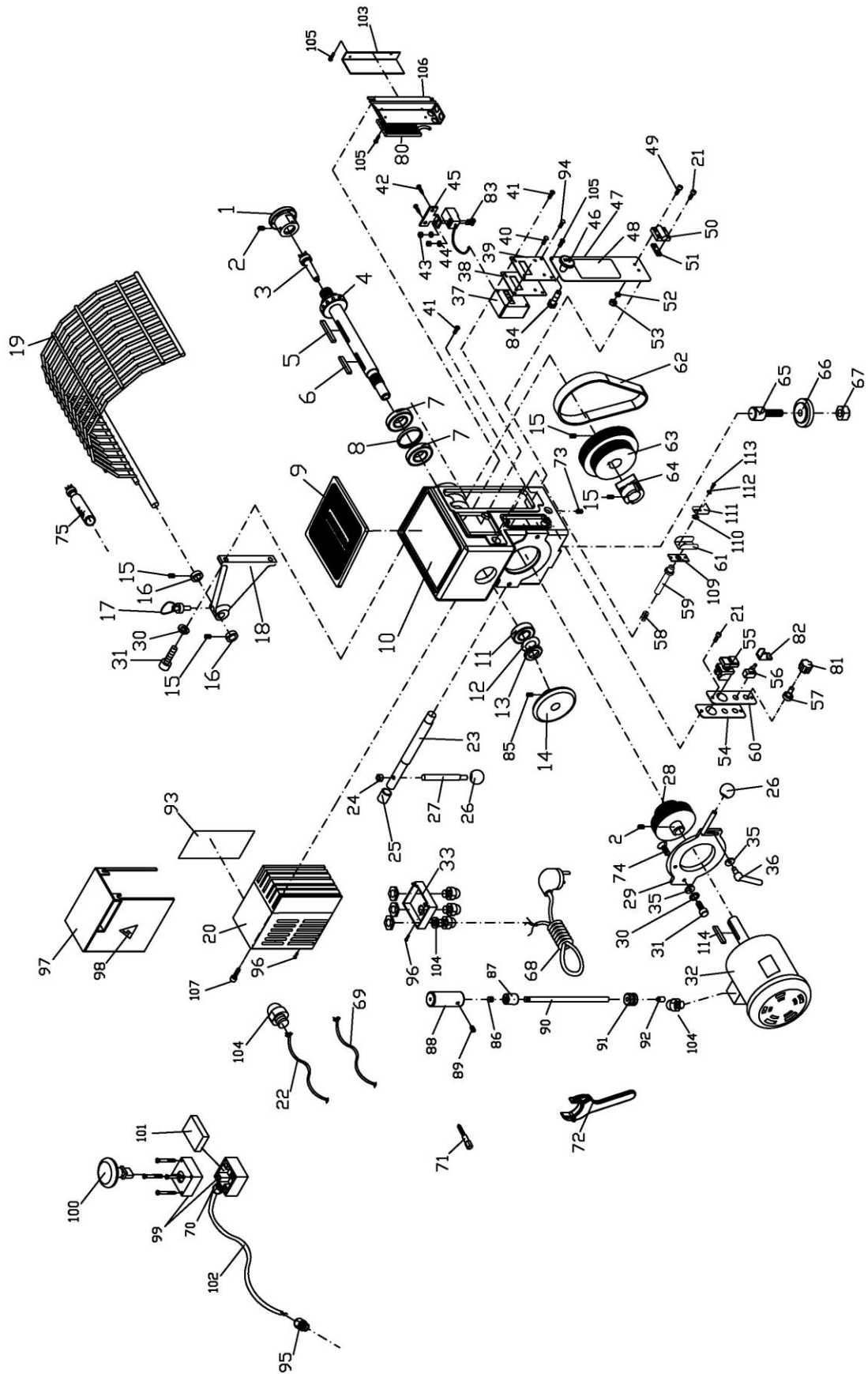
JPW (Tool) AG
Tämperlistr. 5
CH-8117 Fällanden
Switzerland
Phone +41 44 806 47 48
Fax +41 44 806 47 58

www.jettools.com

P-JWL-2035-M 2016-11



JWL-2035-M / JWL-2020-M Headstock Assembly

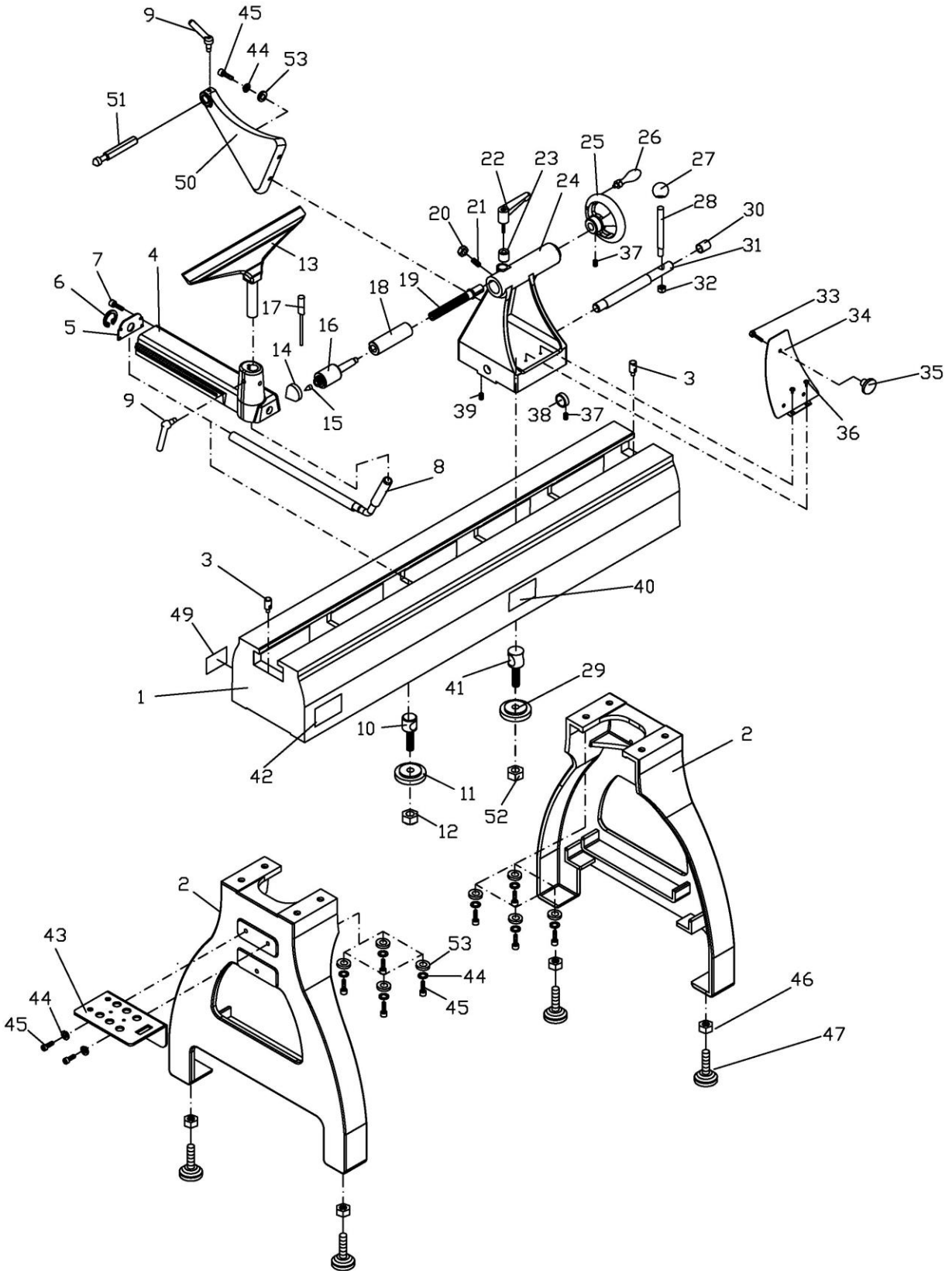


JWL-2035-M / JWL-2020-M Parts List: Headstock Assembly

Index No.	Part No.	Description	Size	Qty
1	6294736E	Faceplate	3"	1
2	6295796	Nylon Insert Socket Set Screw	1/4-20x3/8	4
3	6294725	Spur Center	MT2	1
4	3520B-204E	Spindle		1
5	3520B-205	Key	8x8x75	1
6	3520B-206	Key	8x8x45	1
7	BB-6207ZZ	Bearing	6207ZZ	2
8	3520B-208	Bushing		1
9	3520B-209	Cushion		1
10	3520B-210E	Headstock		1
11	BB-6206VV	Bearing	6206VV	1
12	6864006	Bearing Lock Washer		1
13	6549006	Bearing Nut		1
14	3271081	Handwheel		1
15	TS-0270011	Socket Set Screw	5/16-18x1/4	6
16	6143004	Collar Retaining		2
17	6644005	Plunger		1
18	3064711E	Lathe Guard Bracket		1
19	6294728E	Safety Guard		1
20	JWL1642-164AE	Inverter, VFD015S21U	2HP, 220V	1
21	6710015	Socket Head Cap Screw	#10-24x1/2	6
22	3520B-222E	Signal Cord		1
23	3520B-223	Headstock Clamping Shaft		1
24	TS-0640091	Nylon Lock Hex Nut	3/8-16	1
25	6095038	Bushing		1
26	6430045	Knob		2
27	3268219	Handle, Headstock		1
28	3719189	Motor Sheave		1
29	2595036	Motor Assembly Plate		1
30	TS-0720091	Lock Washer	3/8	3
31	TS-0209061	Socket Head Cap Screw	3/8-16x1-1/4	3
32	3520B-232E	Motor	2HP, 220V, 60Hz	1
33	3520B-233E	Bracket		1
35	TS-0680042	Flat Washer	3/8	2
36	6350031	Motor Plate Locking Handle		1
37	JWL1642-130A	Digital Readout		1
	JWL1642-130S	Sensor for Digital (not shown)		1
38	3520B-238E	Plate		1
39	3520B-239E	DRO Cover		1
40	JWL1642-127	Tap Screw	M3x10	4
41	TS-0253031	Socket Head Button Screw	#10-24x1/2	3
42	JWL1642-134	Tap Screw	1/4x1/2	2
43	TS-1540011	Nut	M3	2
44	TS-2361031	Lock Washer	M3	2
45	JWL1642-135	Bracket		1
46	6295717	Knob		1
47	3520B-247E	Door Panel		1
48	JWL1642-144E	Speed Label		1
49	6708019	Socket Head Cap Screw	#8-32x5/8	2
50	6365012	Door Hinge		1
51	6295911	Pad		1
52	6860704	Flat Washer	#8	2
53	6508007	Nut	#8-32	2
54	JWL2035M-254E	Control Panel		1
55	4224B-147E	On/ Off Switch		1

Index No.	Part No.	Description	Size	Qty
56	6821492	Switch Fwd/Rev		1
57	6295915	Control Pot Assembly		1
58	6813062	Spring		1
59	3601006	Spindle Lock Plunger		1
60	JWL2035M-260E	Control Label		1
61	6294786E	Spindle Lock Bracket		1
62	6077228	Micro V-Belt	260J	1
63	3719188	Spindle Sheave		1
64	3520B-264	Locking Collar		1
65	3058001	Clamp Bolt		1
66	3092095	Clamp		1
67	6520009	Nylon Lock Hex Nut	5/8-11	1
68	6294787E	Power Cord		1
69	6294790E	Motor Cord		1
70	6295914E	Clamp	PG11	1
71	3520B-271	Index Pin		1
72	6294744E	Face Plate Wrench		1
73	3520B-273	Set Screw	#10-24x1	1
74	6716139	Flat Head Socket Screw	3/8-16x1	4
75	3520B-275	Spindle Comparator Spur Center (exclude 2020)		1
80	JML1642-169	Braking Resistor		1
81	6430047	Knob		1
82	3520B-282	Bracket		1
83	6295838	Phillips Round Head Machine Screw	M3x20	2
84	TS-1490021	Hex Cap Screw	M8x16	1
85	TS-0267021	Socket Set Screw	1/4-20x1/4	2
	6294754	Knockout Rod Assembly (includes index # 86 thru 92)		1
86	TS-0270031	Socket Set Screw	5/16-18x3/8	1
87	3520B-287	Slide Hammer		1
88	3520B-288	Slide Handle		1
89	6295796	Nylon Insert Socket Set Screw	1/4-20x3/8	2
90	3520B-290	Rod		1
91	3520B-291	Retaining Collar		1
92	3520B-292	Brass Tip		1
93	3520B-293	Inverter Label		2
94	3520B-294E	Socket Head Button Screw	#10-24x1-1/4	1
95	54A-S40E	Clamp	PG9	2
96	3520B-296	Phillips Pan Head Machine Screw	M3-0.5Px10	3
97	3520B-297E	Inverter Box		1
98	3520A-289E	Label		1
99	6295761E	Switch Box Kit		1
100	6296760E	Remote Switch		1
101	6295763	Magnet		1
102	6295765E	Control Cord		1
103	3520B-2103E	Cover Plate		1
104	JWL1642-196E	Clamp	PG13.5	5
105	3520B-2105E	Socket Head Button Screw	#10-24x3/8	5
106	3520B-2106E	Switch Cover		1
107	TS-081C042	Screw	#10-24x5/8	4
108	3520A-294	Label		1
109	3520B-297	Plate		1
110	3520B-298	Resist Sheet		1
111	4224B-1122	Spindle Lock Tab		1
112	TS-069204	Flat Washer	#10	1
113	TS-0253031	Socket Head Button Screw	#10-24x1/2"	2
114	JWL2035M-2114	Key	5x5x50	1

JWL-2035-M / JWL-2020-M Stand and Bed Assembly



3520B Parts List: Stand and Bed Assembly

Index No.	Part No.	Description	Size	Qty
1	3520B-101E	Bed		1
	2020-101E	Bed		1
2	3520B-102E	Leg		2
3	6295754	Stop Bolt		2
	6294797E	Tool Rest Support Assembly (includes index #4 thru #12)		1
4	3520B-104E	Tool Rest Support Base		1
5	3520B-105	End Cover		1
6	3520B-106	C-Ring	S-22	1
7	6710015	Socket Head Cap Screw	#10-24x1/2	4
8	3520B-108	Tool Support Rod		1
9	6294763	Locking Handle		2
10	3520B-110	Bolt		1
11	6294770	Clamp		1
12	TS-0650081	Nylon Lock Hex Nut	3/4-10	1
13	6294742E	Tool Support	14"	1
	6295902	Live Center Assembly (includes index #14 thru #17)		1
14	6295905	Live Center Cone		1
15	6295904	Live Center Tip		1
16	6295903	Live Center Body		1
17	6295906	Live Center Rod		1
18	3520B-118E	Quill		1
19	6295909	Lead Screw		1
20	TS-0560071	Hex Nut	#10-24	1
21	3520B-121	Set Screw	#10-24x3/4	1
22	6295910	Lock Handle		1
23	3728005	Quill Lock Sleeve		1
24	3520B-124E	Tailstock		1
25	3520B-125E	Tailstock Handwheel		1
26	3520B-126	Tailstock Handle		1
27	6430045	Knob		1
28	3268217	Handle		1
29	3092095	Clamp		1
30	6095038	Bushing		1
31	3708012	Tailstock Clamping Shaft		1
32	TS-0640091	Nylon Lock Hex Nut	3/8"-16	1
33	TS-1490021	Hex Cap Screw	M8x16	1
34	3520B-134E	Cover Plate		1
35	6295717	Lock Knob		1
36	TS-081C022	Phillips Pan Head Machine Screw	#10-24x3/8	2
37	TS-0270011	Socket Set Screw	5/16x1/4	2
38	3096003	Collar		1
39	6760102	Set Screw	#10-32x1	1
40	JET-113	JET Nameplate Label	113x47mm	1
41	3058001	Bolt		1
42	6294773P	Warning Label	97 x 70mm	1
43	3520B-143	Shelf		1
44	TS-0720091	Lock Washer	3/8	12
45	TS-0209061	Socket Head Cap Screw	3/8x1-1/4	12
46	TS-0570031	Hex Nut	3/8"-16	4
47	6442000	Adjustable Leveler		4
49	JWL2035M-149E	I.D Label	JWL-2035-M	1
	JWL2020M-149E	I.D Label	JWL-2020-M	1
50	3520B-150E	Comparator Rear Bracket (exclude 2020)		1
51	3520B-151	Comparator Rear Center (exclude 2020)		1
52	6520009	Nylon Lock Hex Nut	5/8-11	1
53	TS-0680042	Flat Washer	3/8	10

