

PROMAC®

05-2016

Metal Band Saw
Metallbandsäge
Scie à ruban

SX-823DGV1
SX-827DGV1



CE

Schweiz / Suisse
JPW (TOOL) AG
Tämperlistrasse 5
CH-8117 Fällanden Switzerland
www.promac.ch

France
TOOL France / PROMAC
57, rue du Bois Chaland, Z.I. du Bois Chaland
case postale 2935 FR-91029 Evry Cedex
www.promac.fr

CE-Conformity Declaration
CE-Konformitätserklärung
Déclaration de Conformité CE

Product / Produkt / Produit:

Metal Band Saw
Metallbandsäge
Scie à ruban

SX-823DGV1 / SX-827DGV1

Brand / Marke / Marque:

PROMAC

Manufacturer / Hersteller / Fabricant:

JPW (Tool) AG, Tämperlistrasse 5, CH-8117 Fällanden
Schweiz / Suisse / Switzerland

We hereby declare that this product complies with the regulations
Wir erklären hiermit, dass dieses Produkt der folgenden Richtlinie entspricht
Par la présente, nous déclarons que ce produit correspond aux directives suivantes

2006/42/EC

Machinery Directive
Maschinenrichtlinie
Directive Machines

2014/30/EU

electromagnetic compatibility
elektromagnetische Verträglichkeit
compatibilité électromagnétique

designed in consideration of the standards
und entsprechend folgender zusätzlicher Normen entwickelt wurde
et été développé dans le respect des normes complémentaires suivantes

EN ISO 12100:2010

EN 13898:2003+A1:2009

EN 60204-1:2006+A1:2009

EN 61000-6-2:2005

EN 61000-6-4:2007+A1:2011

Responsible for the Documentation / Dokumentations-Verantwortung / Responsabilité de Documentation:

Hansjörg Meier

Head Product-Mgmt. / Leiter Produkt-Mgmt. / Resp. Gestion des Produits
JPW (Tool) AG



2016-05-24 Alain Schmid, General Manager

JPW (Tool) AG, Tämperlistrasse 5, CH-8117 Fällanden
Schweiz / Suisse / Switzerland

GB - ENGLISH

Operating Instructions

Dear Customer,

Many thanks for the confidence you have shown in us with the purchase of your new machine. This manual has been prepared for the owner and operators of a **SX-823DGVI / SX-827DGVI metal band saw** to promote safety during installation, operation and maintenance procedures. Please read and understand the information contained in these operating instructions and the accompanying documents. To obtain maximum life and efficiency from your machine, and to use the machine safely, read this manual thoroughly and follow instructions carefully.

...Table of Contents

1. Declaration of conformity
2. Warranty
3. Safety
4. Machine dimensions, Transport, Installation and Dismantling
5. Functional parts of the machine
6. Advice on using your bandsaw
7. Adjusting your machine
8. Routine and special maintenance
9. Technical characteristics
10. Material classification and choice of tools
11. Environmental protection
12. Available accessories
13. Troubleshooting

1. Declaration of conformity

On our own responsibility we hereby declare that this product complies with the regulations* listed on page 2. Designed in consideration with the standards**.

2. Warranty

The Seller guarantees that the supplied product is free from material defects and manufacturing faults. This warranty does not cover any defects which are caused, either directly or indirectly, by incorrect use, carelessness, accidental damage, repair, inadequate maintenance or cleaning and normal wear and tear.

Guarantee and/or warranty claims must be made within twelve months from the date of purchase (date of invoice). Any further claims shall be excluded.

This warranty includes all guarantee obligations of the Seller and replaces all previous declarations and agreements concerning warranties.

The warranty period is valid for eight hours of daily use. If this is exceeded, the warranty period shall be reduced in proportion to the excess use, but to no less than three months.

Returning rejected goods requires the prior express consent of the Seller and is at the Buyer's risk and expense.

Further warranty details can be found in the General Terms and Conditions (GTC). The GTC can be viewed at www.jettools.com or can be sent by post upon request.

The Seller reserves the right to make changes to the product and accessories at any time.

3. Safety

3.1 Authorized use

This machine is designed for sawing machinable metal and plastic materials only.

Machining of other materials is not permitted and may be carried out in specific cases only after consulting with the manufacturer.

Never cut magnesium-high danger to fire!

The workpiece must allow to safely be loaded and clamped for machining.

The proper use also includes compliance with the operating and maintenance instructions given in this manual.

The machine must be operated only by persons familiar with its operation and maintenance and who are familiar with its hazards.

The required minimum age must be observed

The machine must only be used in a technically perfect condition.

When working on the machine, all safety mechanisms and covers must be mounted.

In addition to the safety requirements contained in these operating instructions and your country's applicable regulations, you should observe the generally recognized technical rules concerning the operation of metalworking machines.

Any other use exceeds authorization.
In the event of unauthorized use of the machine, the manufacturer renounces all liability and the responsibility is transferred exclusively to the operator.

3.2 General safety notes

Metalworking machines can be dangerous if not used properly. Therefore the appropriate general technical rules as well as the following notes must be observed.

Read and understand the entire instruction manual before attempting assembly or operation.

Keep this operating instruction close by the machine, protected from dirt and humidity, and pass it over to the new owner if you part with the tool.

No changes to the machine may be made.

Daily inspect the function and existence of the safety appliances before you start the machine.
Do not attempt operation in this case, protect the machine by unplugging the mains cord.

Remove all loose clothing and confine long hair.

Before operating the machine, remove tie, rings, watches, other jewellery, and roll up sleeves above the elbows.

Wear safety shoes; never wear leisure shoes or sandals.
Always wear the approved working outfit

Do **not** wear gloves while operating this machine.

For the safe handling of saw blades wear work gloves.

Wear goggles when working

Install the machine so that there is sufficient space for safe operation and workpiece handling.

Keep work area well lighted.

The machine is designed to operate in closed rooms and must be placed stable on firm and levelled ground.

Make sure that the power cord does not impede work and cause people to trip.

Keep the floor around the machine clean and free of scrap material, oil and grease.

Never reach into the machine while it is operating or running down.

Stay alert!
Give your work undivided attention. Use common sense.

Keep an ergonomic body position.
Maintain a balanced stance at all times.

Do not operate the machine when you are tired.
Do not operate the machine under the influence of drugs, alcohol or any medication. Be aware that medication can change your behaviour.

Keep children and visitors a safe distance from the work area.

Never leave a running machine unattended.
Before you leave the workplace switch off the machine.

Do not operate the electric tool near inflammable liquids or gases.

Observe the fire fighting and fire alert options, for example the fire extinguisher operation and place.

Do not use the machine in a damp environment and do not expose it to rain.

Insure that the workpiece does not roll when cutting round pieces.
Use suitable table extensions and supporting aids for difficult to handle workpieces.

Always adjust the blade guide close to the workpiece.

Remove cut and jammed workpieces only when motor is turned off and the machine is at a complete standstill.

Work only with well sharpened tools.

Bearbeiten Sie nur ein Werkstück, das sicher auf dem Tisch aufliegt.

Specifications regarding the maximum or minimum size of the workpiece must be observed.

Do not stand on the machine.

Never operate with the guards not in place – serious risk of injury!

Connection and repair work on the electrical installation may be carried out by a qualified electrician only.

Have a damaged or worn cord replaced immediately.

Make all machine adjustments or maintenance with the machine unplugged from the power source.

Remove defective saw blades immediately

3.3 Remaining hazards

When using the machine according to regulations some remaining hazards may still exist

The moving saw blade in the work area can cause injury.

Broken saw blades can cause injuries.

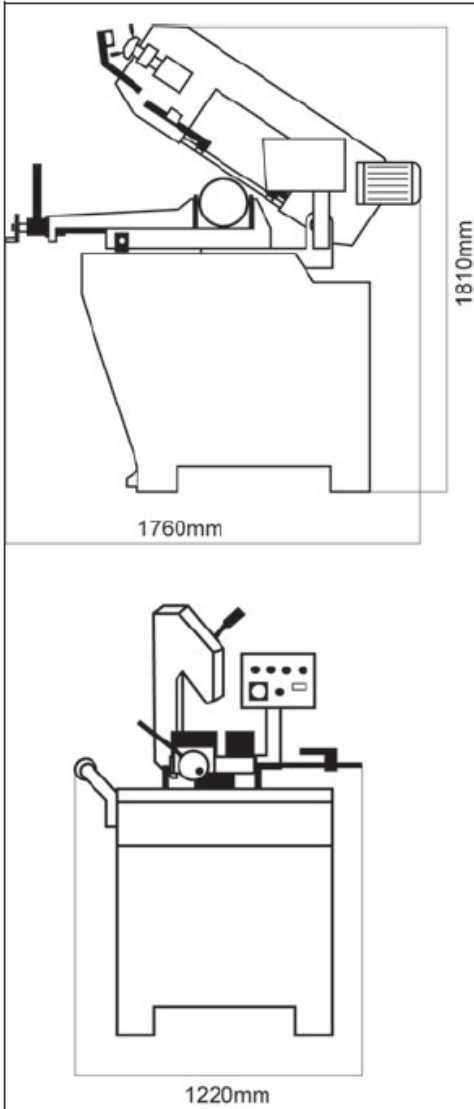
Thrown cutting chips and noise can be health hazards.
Be sure to wear personal protection gear such as safety goggles and ear protection.

The use of incorrect mains supply or a damaged power cord can lead to injuries caused by electricity.

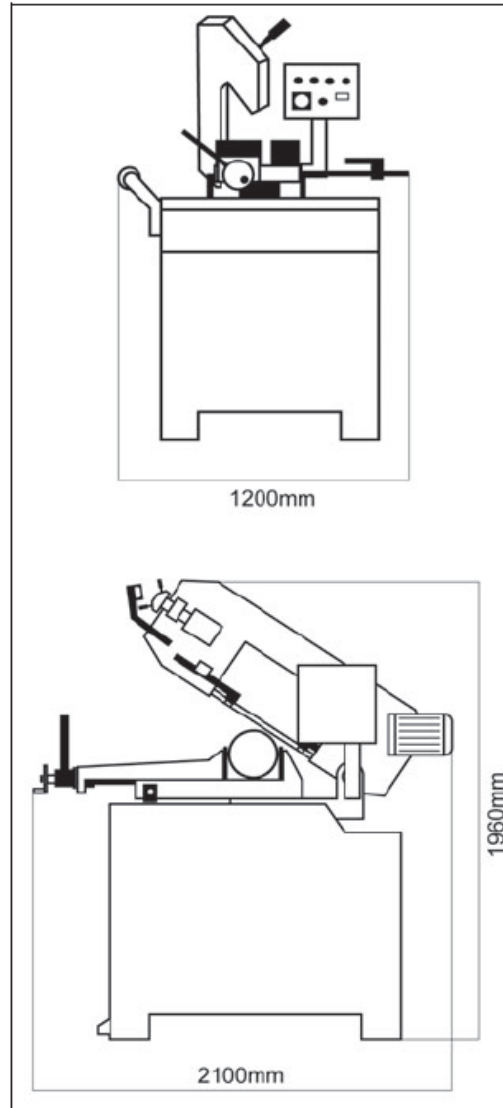
4. Machine dimensions, Transport, Installation and Dismantling

4.1 Machine dimensions

SX-823DGVl

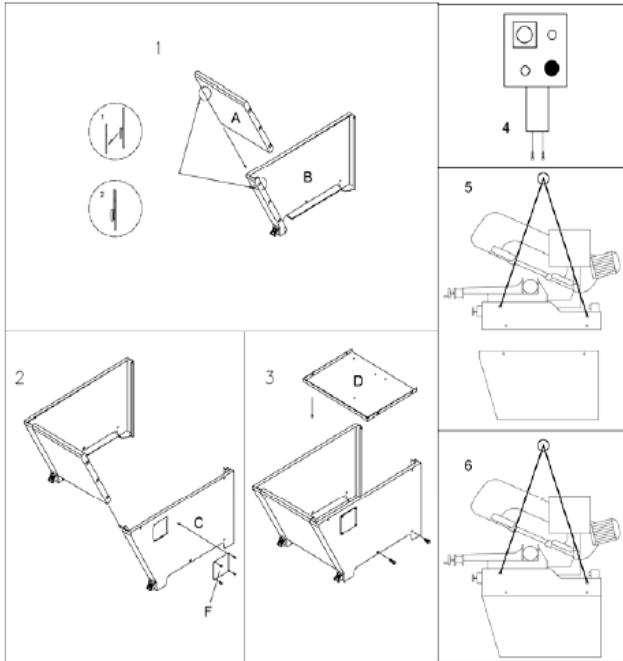


SX-827DGVl



4.2 Assembling the Saw and the Base

- Join panels A, B, and C by inserting tenon into mortise as shown in circle diagram 1 and 2.
- Fasten bottom panel D into the joined panels A, B, and C using setscrews that are provided
- Attach panel F to panel C with provided setscrews.
- Attach control box with two provided setscrews.
- Mount the saw unit on the base as shown in drawing 5.
- Fasten the saw unit to the base with provided set screws.

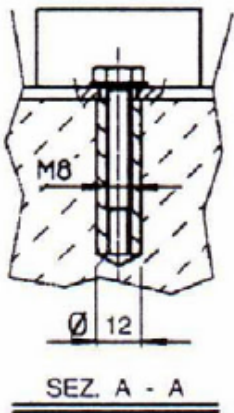


If the machine needs to be moved in its own packing, use a forklift truck or sling it with straps as illustrated in drawing above.

4.3 Minimum requirements for housing the machine

- Main voltage and frequency must comply with the machine's motor requirements.
- Environment temperature should fall within $-10\text{ }^{\circ}\text{C}$ to $+50\text{ }^{\circ}\text{C}$.
- Relative humidity cannot be over 90%.

4.4 Anchoring the machine



Position the machine on a firm cement floor, maintaining, at the rear, a minimum distance of 800 mm from the wall; anchor it to the ground as shown in the diagram, using screws and expansion plugs or tie rods sunk in cement, ensuring that it is sitting level.

4.5 Instructions for assembly of the loose parts and accessories

Fit the components supplied:

Detail 1 Mount bar-stop rod

Detail 2 Mount and align the roll-supporting arm as per the counter-vice table.

4.6 Deactivation of machine

- If the sawing machine is to be out of use for a long period, it is advisable to proceed as follows:

- 1) Detach the plug from the electric supply panel
- 2) Loosen blade
- 3) Release the arch return spring
- 4) Empty the coolant tank
- 5) Carefully clean and grease the machine
- 6) If necessary, cover the machine.

4.7 Dismantling (due to deterioration and/or obsolescence)

General rules

If the machine is to be permanently demolished and/or scrapped, divide the material to be disposed of according to type and composition, as follows:

- 1) Cast iron or ferrous materials, composed of metal alone; are secondary raw materials, so they may be taken to an iron foundry for re-smelting after having removed the contents (classified in point 3).
- 2) Electrical components, including the cable and electronic material (magnetic cards, etc.), fall within the category of material classified as being assimilated to urban waste according to the laws of your local, state, or federal government, so they may be set aside for collection by the public waste disposal service;
- 3) Old mineral and synthetic and/or mixed oils, emulsified oils and greases are considered hazardous or special refuse, so they must be collected, transported and disposed of at a special waste disposal service.

NOTE: The standards and legislation concerning refuse is in a constant state of evolution, therefore is subject to changes. The user must keep informed of the regulations at the time of disposal as these may differ from those described above.

5 The machine's functional parts

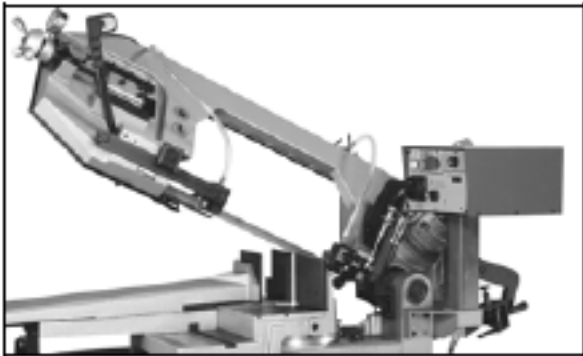
5.1 The saw arm

Machine parts consisting of drive members (gear motor or variable speed motor, flywheels), tightening and guide (blade tightening slide, blade guide blocks) of tool.

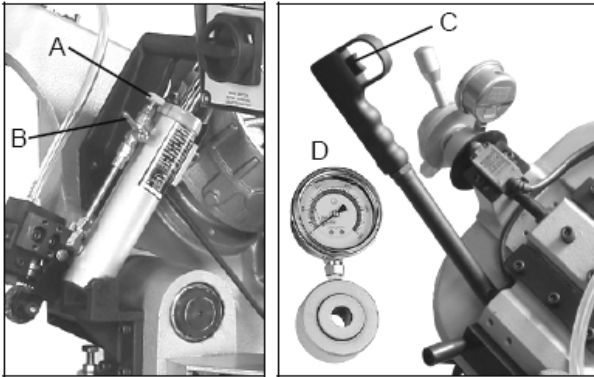
SX-823DGV1



SX-827DGV1

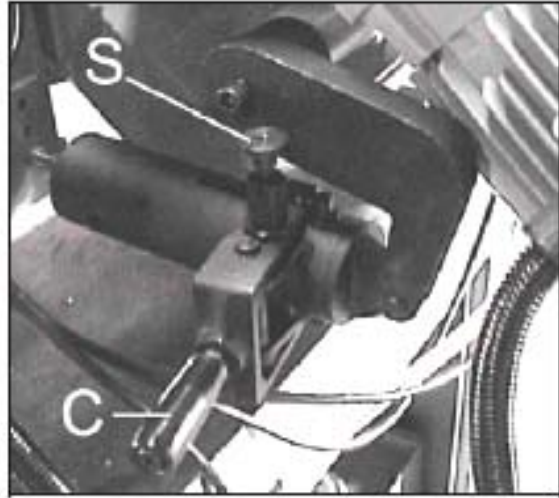


5.2 Controls

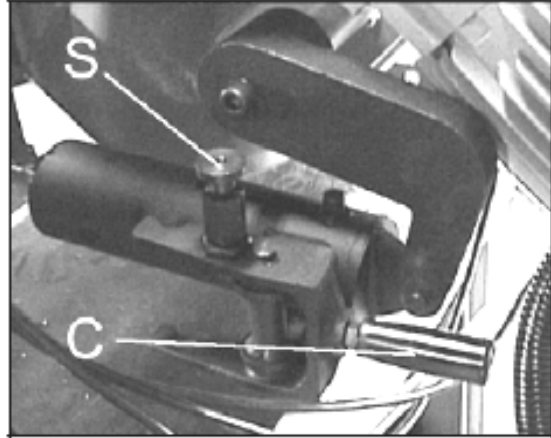


- A. Hydraulic Flow control valve
- B. Hydraulic regulation valve
- C. Trigger Switch
- D. Blade Tension gauge

C1 Manual position

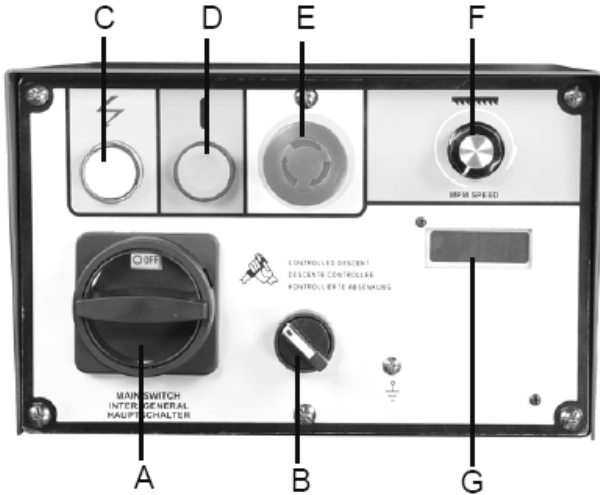


C2 Auto position



- C. Fork handle
- S. Spring knob

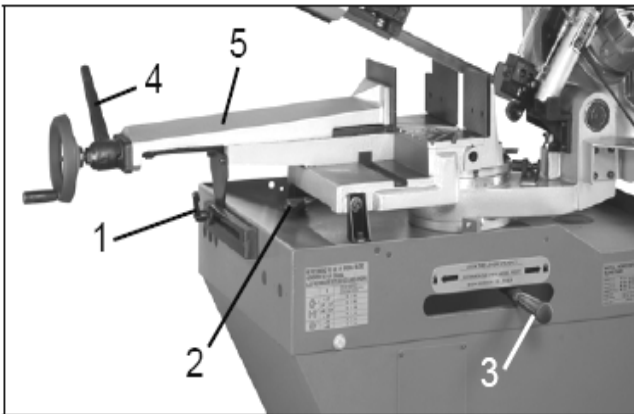
SX-823DGV / SX-827DGV



- A. Main connect switch
- B. Manual/Auto selector
- C. Indicator light
- D. Auto start cutting button
- E. Emergency push button
- F. Blade Speed adjusting knob
- G. Blade Speed display

5.3 Vise adjustment

- The device does not require any particular adjustment; in case of excess play of the sliding guide, tighten slide screw more.



To move the vise in either direction, the vise jaw must be unlocked at two points.

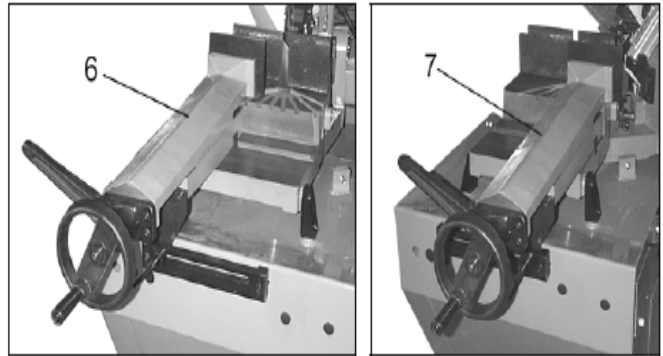
- Release the track support by turning handle (1) counter-clockwise.
- Release the vise by moving the lever (2) to the left.

- The vise (5) may now be moved to right position (7) or left position (6) by pushing it with one hand on the vise and the other hand on the track handle (1).
- Once in position, move the lever (2) to the right to lock it into position.
- Lock the track support (1) by turning handle clockwise.

Clamping the Work Piece

- Place work piece between the jaws.
- Use the hand wheel to approach the vise jaws to the work piece, make the vise jaw to against the material. Lock the work piece by push down the lever (4). Push start cutting button (D). When the cutting cycle is finished, release vise by pulling lever (4) up. Upon releasing the lever (4), the vise jaw will open. This allows for rapid loading of same size material.

5.4 Cutting angle adjustment



Cutting at angles

- Using the right side, angles can be cut up to 60 degrees. This requires that vise jaw to be set on the left side (6).
- Using the left side, angles can be cut up to 45 degrees. This requires the vise jaw to be set on the right side (7).
- Unlock lever (3) and rotate the saw frame arm until you reach mechanical stop and check if the index corresponds to 45 degrees; if not, operate on the set screws to make measures meet.

5.5 The base

- A structure supporting the SAW ARM (revolving arm for gradual cutting and respective blocking system), the VISE, the BAR STOP, the ROLLER for the support of the material. The base houses the cooling liquid TANK and PUMP.

SX-823 DGV1

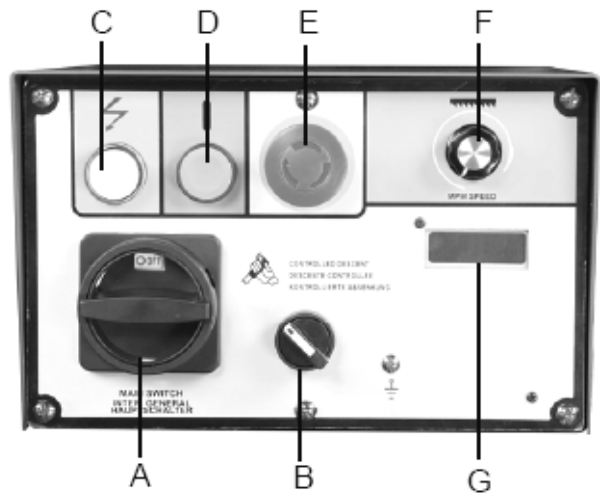


The hydraulic cylinder is ideal for the cutting of thin or stainless steel section bars that determines a constant lowering and consequently a good efficiency of the blade throughout the work phase.

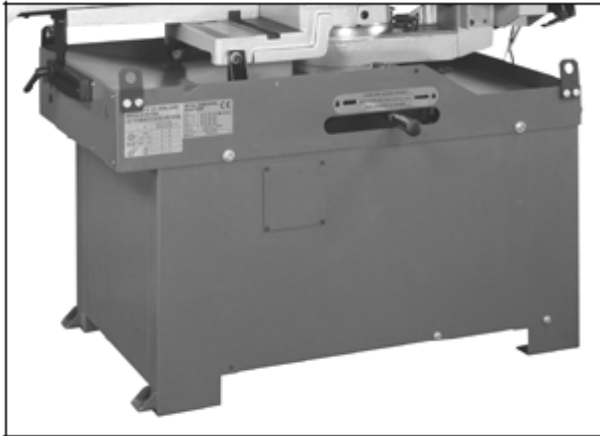
By adjusting the flow control valve (A), this device can be accommodated to the different situations and applications. (B) level is on/off switch to control hydraulic flow.

5.7 The operation cycle

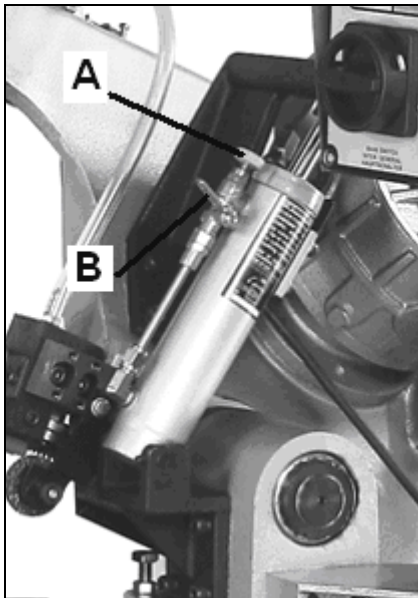
Before operating, all the main organs of the machine must be set in optimum conditions.



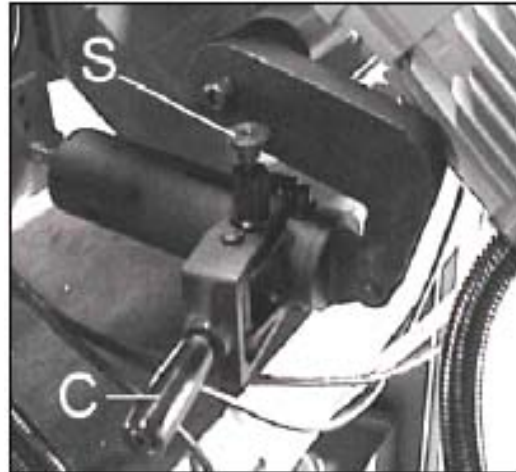
SX-827DGV1



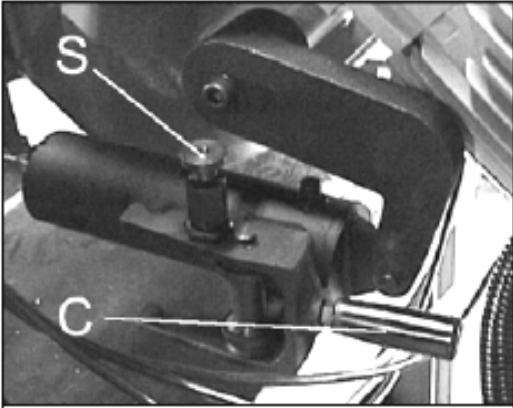
5.6 Saw frame moving down flow control



C1 Manual position



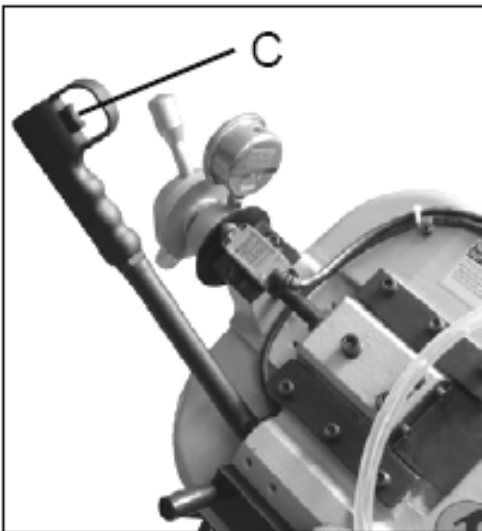
C2 Auto position



Operation Procedure:

A. Trigger switch operation by manual

- Raise the saw arm.
- Close the hydraulic flow control valve on the cylinder (B) (5.6) by turning the valve clockwise all the way to the end.
- Lift the spring knob (S) to release the pin from its slot. This will free the fork handle (C). Move the handle to the manual position (C1). Lift the spring knob (S) and secure its pin into its slot.
- Use manual/auto selector (B) to select handle icon.
- Preset cutting speed by turning speed selector knob (F).
- Turn main connect switch (A) to the ON position. Check that the indicator light (C) is on.
- Load work piece and clamp it properly.
- Fully open the hydraulic flow regulation valve (B) (5.6) by turning the valve counter-clockwise all the way to the end and also fully open the flow control knob (A) by turn it counter-clockwise.

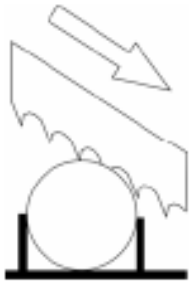


- Press trigger switch (C) to start operation.

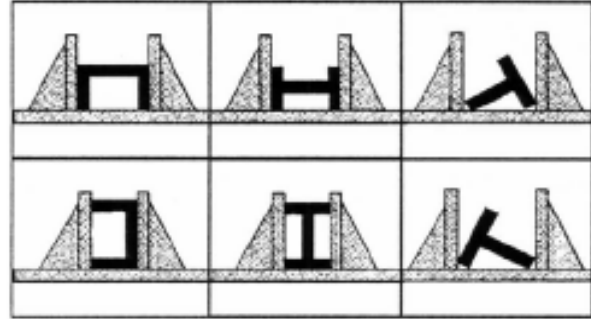
- Reset blade speed.
- If cutting pipe with thin walls, reduce the saw arm descent rate by adjusting the flow control valve (A).
- Press the emergency push button (E) down to shut off all functions. To release the emergency push button rotate the mushroom shaped button (E) clock-wise. The button will pop up and then the cutting cycle can be restarted.
- In general, start cuts by slightly turning hydraulic flow control valve (A) counter-clockwise from 2 to 3 to control the saw arm descent rate. If the arm descends too quickly, turn the hydraulic flow regulation valve (B) clockwise all the way back to stop its descent. A saw arm dropping too quickly can cause the blade to stall on the work piece and the machine will shut off. Push down on emergency push buttons (E) on the panel and (K) SX-823DG on the base to immediately stop all machine functions.

B. Auto cutting operation

- Raise the saw arm.
- Close the hydraulic flow control valve (A) by turning the valve clockwise all the way to the end.
- Lift the spring knob (S) to release the pin from its slot. This will free the fork handle (C). Move the handle to the auto position (C2). Lift the spring knob (S) and secure its pin into its slot.
- Use manual/auto selector (B) to select auto.
- Select cutting speed by turning speed selector (F).
- Turn main connect switch (A) to the ON position. Check that the indicator light (C) is on.
- Load work piece and clamp it properly.
- Press start button (D) to start machine. Check that the blade is running in the correct direction.
- Slightly pull the saw arm down to get rid of air bubbles from the hydraulic cylinder.
- Adjust hydraulic flow control valve (A) by slightly turning the valve counter-clockwise to let saw arm descend and start cutting.
- Press the emergency push button (E) down to shut off all functions. To release the emergency shut off rotate emergency push button (E) clock-wise. The button will pop up and then the cutting cycle can be restarted.
- In general, start cuts by slightly turning hydraulic flow control valve (A) counter-clockwise from 2 to 3 to control the saw arm descent rate. If the arm descends too quickly, turn hydraulic flow regulation valve (B)(5.6) clockwise all the way back to stop its descent. A saw arm dropping too quickly can cause the blade to stall on the work piece and the machine will shut off. Push down on emergency push button (E) to immediately stop all machine functions.



Blade cutting direction

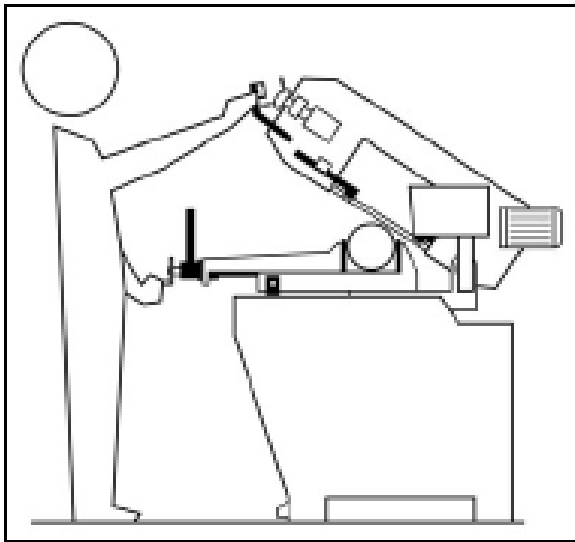


6. Advice on using your bandsaw

6.1 Recommendations and advice for using the machine

The machine has been designed to cut metal building materials, with different shapes and profiles, used in workshops, turner's shops and general mechanical structural work.

Only one operator is needed to use the machine, that must stand as shown in the picture.



- Before starting each cutting operation ensure that the part is firmly clamped in the vise and that the end is suitably supported.

- These figures below show examples of suitable clamping of different section bars, bearing in mind the cutting capacities of the machine in order to achieve a good efficiency and blade durability

- Do not use blades of a different size from those stated in the machine specifications.

- If the blade gets stuck in the cut, release the running button immediately, switch off the machine, open the vise slowly, remove the part and check that the blade or its teeth are not broken. If they are broken, change the tool.

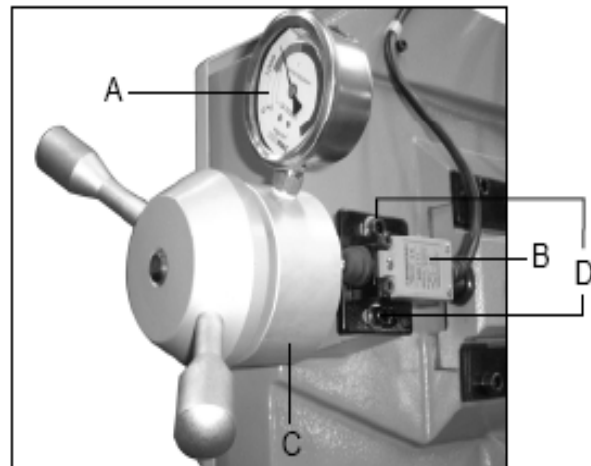
- Before carrying out any repairs on the machine, consult the dealer.

7. Adjusting your machine

7.1 Blade tension assembly

The ideal tension of the blade is achieved rotating the hand wheel until the needle reaches the proper blade tension on the tension gauge (A).

The machine will not operate if the micro switch does not actuate by contacting the tension device (C).



If the tension is set properly, but the micro switch (B) does not contact or trigger properly, make this adjustment.

If the tension is set properly, but the micro switch (B) does not contact or trigger properly, make this adjustment.

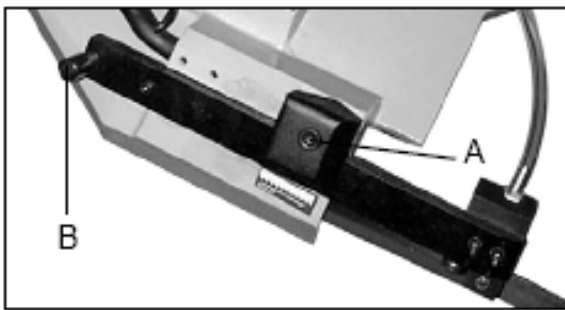
If the tension is set properly, but the micro switch (B) does not contact or trigger properly, make this adjustment.

- Loosen the setscrews (D).

- Push the micro switch (B) towards the tension device (C). Make sure that the plunger is pressed properly.
- Tighten down the setscrews (D) to secure the micro switch (B) in place.

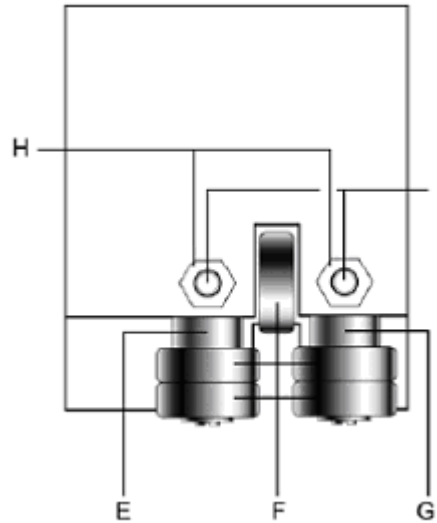
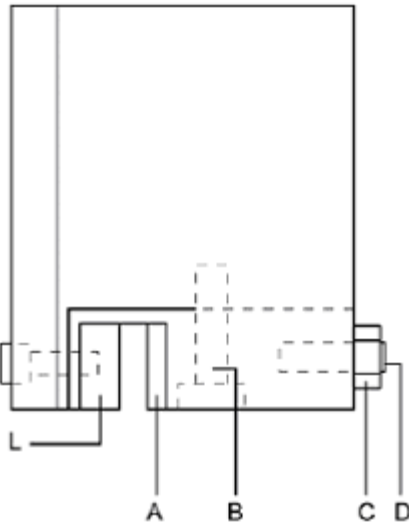
7.2 Adjusting the blade guide

- Disconnect the machine from the power source.
- Use a Hex. Wrench to loosen Hex. Socket screw (A) on the square lock plate.
- Hold the handle (B) and slide blade guide block as close as possible to the material without interfering with the cut
- Tighten the Hex. Socket screw (A).
- Reconnect the machine to power source.



Blade guide blocks

The blade is guided by means of adjustable pads set in place during inspection as per the thickness of the blade with minimum play as shown in the figure.



In case the blade needs to be replaced, make sure to always install 0.9mm thick blades for which the blade guide pads have been adjusted. In the case of toothed blades with different thickness adjustment should be carried out as follows:

- Loosen nut (C), screw (B) and loosen dowel (D) widening the passage between the pads.
- Loosen the nuts (H) and the dowels (I) and rotate the pins (E - G) to widen the passage between the bearings (F).
- To mont the new blade: place the pad (A) on the blade, loosening the dowel, allow a play of 0.04 mm for the sliding of the toothed blade, lock the relative nut and screw (B), Rotate the pins (E - G) until the bearings rest against the blade as indicated in the figure and then secure the dowels (I) and nut (H).
- Make sure that between the blade and the upper teeth of the pad (L) this is at least 0.2 - 0.3 mm of play; if necessary, loosen the screws that fasten the blocks and adjust accordingly.

BEFORE PERFORMING THE FOLLOWING OPERATIONS, THE ELECTRIC POWER SUPPLY AND THE POWER CABLE MUST BE COMPLETELY DISCONNECTED.

7.Changing the blade

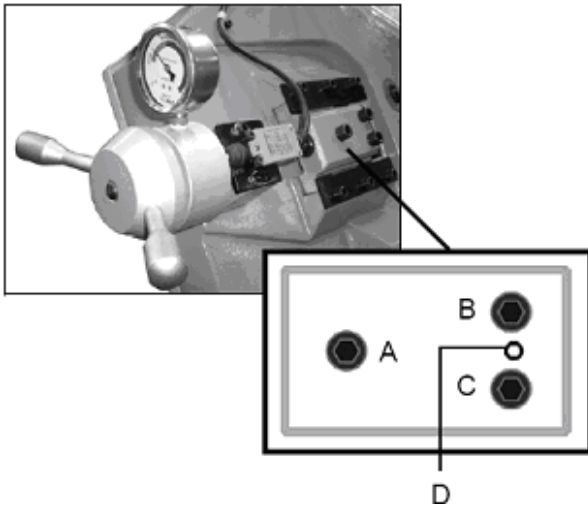
To change the blade:

- Lift the saw arm.
- Loosen the blade with the hand wheel, remove the mobile blade-guard cover, open the flywheel guards and remove the old blade from the flywheels and the blade guide blocks.
- Assemble the new blade by placing it first between the pads and then on the race of the flywheels, paying particular attention to the cutting direction of the teeth.

- Tension the blade and make sure it perfectly fits inside the seat of the flywheels.

- Assemble the mobile blade-guide end, the flywheel guard, and fasten it with the relative knobs. Check that the safety micro switch is activated otherwise when electric connection will be restored the machine will not start.

7.4 Adjusting the blade to the blade wheels



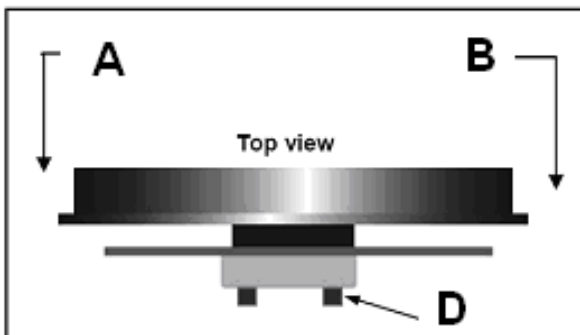
1. Loosen the hex nut screws A, B, and C.
2. Use an Allen wrench on setscrew D to adjust the tilt of the blade wheel.

-Turning the setscrew D clockwise will tilt blade wheel so that the blade will ride closer to the flange.

-Turning the setscrew D counter-clockwise will tilt the blade wheels that the blade will ride away from the flange.

If the blade rides away too far then it will come off.

After the adjustment is finished, fasten the hex nut screws in this order: A, B, and C.

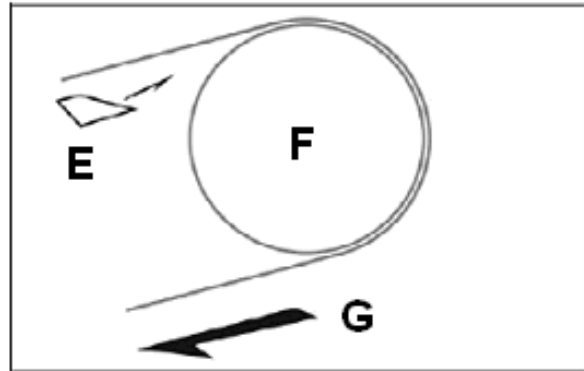


A- A tilt in this direction will cause the blade to ride towards the flange.

B- A tilt in this direction will cause the blade to ride away from the flange.

D- Set screw

Checking the adjustment of the blade



E- Paper

F- Flywheel

G- Blade direction

Use a strip of scrap paper and slide it between the blade and the blade wheel while it is running.

- If the paper is cut then the blade is riding too close to the flange. Re-adjust.

- If you notice that the blade is riding away from the flange. Then re-adjust

WARNING: Always assemble blades having dimensions specified in this manual and for which the blade guide heads have been set; otherwise, see chapter on "Description of the operating cycle" in the section Starting-up.

8. Routine and special maintenance

THE MAINTENANCE JOBS ARE LISTED BELOW, DIVIDED INTO DAILY, WEEKLY, MONTHLY AND SIX-MONTHLY INTERVALS. IF THE FOLLOWING OPERATIONS ARE NEGLECTED, THE RESULT WILL BE PREMATURE WEAR OF THE MACHINE AND POOR PERFORMANCE.

8.1 Daily maintenance

- General cleaning of the machine to remove accumulated shavings.

- Clean the lubricating coolant drain hole to avoid excess fluid.

- Top off the level of lubricating coolant.

- Check blade for wear.

- Rise of saw frame to top position and partial slackening of the blade to avoid useless yield stress.

- Check functionality of the shields and emergency stops.

8.2 Weekly maintenance

- Thorough cleaning of the machine to remove shavings, especially from the lubricant fluid tank.
- Removal of pump from its housing, cleaning of the suction filter and suction zone.
- Clean the filter of the pump suction head and the suction area.
- Use compressed air to clean the blade guides (guide bearings and drain hole of the lubricating cooling).
- Cleaning flywheel housings and blade sliding surfaces on flywheels.

8.3 Monthly maintenance

- Check the tightening of the blade wheel screws.
- Check that the blade guide bearings on the heads are perfect running condition.
- Check the tightening of the screws of the gear motor, pump, and accident protection guarding.

8.4 Six-monthly maintenance

- Continuity test of the equipment potential protection circuit.

8.5 Maintenance of other machine parts

The worm drive gearbox mounted on the machine is maintenance-free guaranteed by its manufacture.

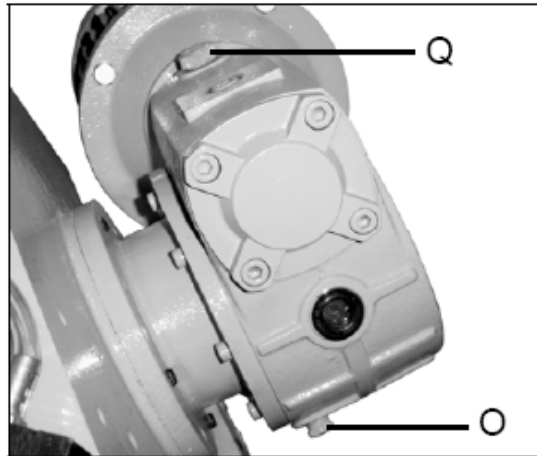
8.6 Öle für das schmierfähige Kühlmittel

Verwenden Sie das biologisch abbaubare Kühlschmiermittel Art.: 9176. DER MINIMALE PROZENTSATZ VON ÖL IN WASSER GELÖST SOLLTE 8 - 10 % BETRAGEN.

8.7 Oils for lubricating coolant

Considering the vast range of products on the market, the user can choose the one most suited to their own requirements, using as reference the type SHELL LUTEM OIL ECO. THE MINIMUM PERCENTAGE OF OIL DILUTED IN WATER IS 8 - 10 %.

8.8 The gear box



The gearbox requires periodic changing of oil. The oil must be changed by the first 6 months of a new machine and every year thereafter.

To change the gear box oil

- Disconnect the machine from the power source.
- Raise the saw arm to vertical position
- Release the drain hole (O) to draw off gear oil by loosening the hex socket screw (O).
- Replace the screw (O) after oil completely flows off.
- Place the saw arm back to horizontal position.
- Fill Gear box with approximately .3 liter of gear oil through the hole of the vent screw (Q)

For reference, use SHELL type gear oil or Mobile gear oil #90.

8.9 Special maintenance



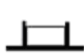
Special maintenance must be conducted by skilled personnel. We advise contacting your nearest dealer and/or importer. Also the reset of protective and safety equipment and devices (of the reducer), the motor, the motor pump, and other electrical components requires special maintenance.

9. Technical characteristics

9.1 Table of cutting capacity and technical details

SX-823DGV1



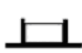
Cutting capacity

			
90°	227mm	220mm	260x110mm
45°	150mm	145mm	200x125mm
60°	90mm	85mm	
45°(L)	110mm	110mm	160x110mm

Electric motor-blade rotation	1.1kW
Flywheel diameter	295mm
Blade dimensions	27x0,9x2460mm
Blade speed cutting	20~85 m/min
Opening vice	260mm
Saw frame tilting	40°
Working table height	900mm
Weight	280 kg

SX-827DGV1

Cutting capacity

			
90°	270mm	260mm	350x220mm
45°	240mm	220mm	240x160mm
60°	160mm	150mm	
45°(L)	210mm	180mm	180x180mm

Electric motor-blade rotation	1.5kW
Flywheel diameter	380mm
Blade dimensions	27x0,9x3160mm
Blade speed cutting	20~85 m/min
Opening vice	355mm
Saw frame tilting	40°
Working table height	900mm
Weight	360 kg

9.2 Noise emission

Acoustic pressure level (EN 11202):

Idling	Lpa 71,0 dB(A)
Operating	Lpa 83,8 dB(A)

The specified values are emission levels and are not necessarily to be seen as safe operating levels.



As workplace conditions vary, this information is intended to allow the user to make a better estimation of the hazards and risks involved only.


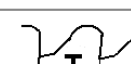
10. Choosing the saw band

Choose a toothing that is appropriate to the workpiece being processed. Ideally, at least 3 teeth should be in action at the same time.

The toothing should not be smaller than necessary, as the cutting speed is reduced if there are too many small teeth working on the workpiece simultaneously, which causes the saw band to wear more quickly, and makes the cuts crooked and distorts them.

The following table shows the approximate toothing of the saw bands for a specific material thickness. For further information please contact your saw band dealer.

	
S mm	 T / "
< 3	18
2 - 5	10/14
4 - 8	8/12
6 - 12	6/10
8 - 15	5/8

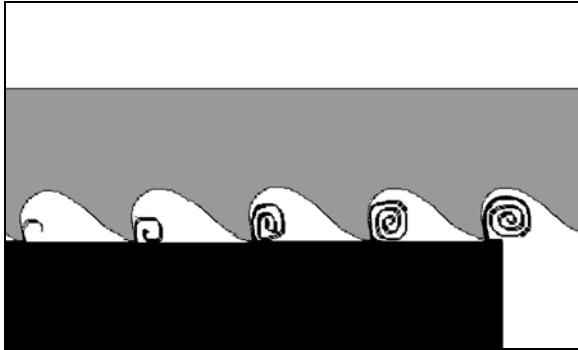
	
D mm	 T / "
< 30	10/14
20 - 50	8/12
25 - 60	6/10
35 - 80	5/8
50 - 100	4/6
80 - 150	3/4
>120	2/3

Comments

10/14 toothing provides good cutting results for thin-walled pipes and profiles.

The choice of tothing (i.e. the number of teeth per inch) should be such that at least 3 teeth are always in action at the same time.

When cutting thick material, a coarse Tooth Pitch "T" is needed to accommodate the big chips.



Cutting speed selection

The general rule is the harder the material being cut, the slower the blade speed.

20 m/min

for stainless steel, alloy steel and bearing bronzes.

30-50 m/min

for mild steel, hard brass or bronze.

60 - 85 m/min

for soft brass, aluminium or other light materials.

Saw band lubricant

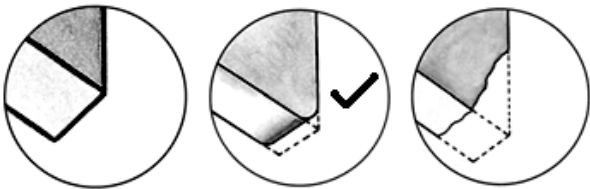
The lifetime of the saw band can be extended significantly by lubricating it with stick wax item no. 100103.

NOTE

Some materials, such as stainless steel or aluminium, require specific oils.

Rounding of teeth

A carefully broken in blade lasts much longer and gives better performance.



To break in your new blade, run it at only 30% of normal pressure for ten minutes. Then gradually increase to normal pressure.

Feed pressure selection:

A good indication of proper feed pressure is the shape of the cutting chips.

Perfect:
Loose curled chips



If the chips are thin or powdered increase the feed pressure.

If the chips are burned reduce the cutting speed and decrease the feed pressure.

10.1 Blade structure

Bi-metal blades are the most commonly used. They consist of a silicon-steel blade backing by a laser welded high speed steel (HSS) cutting edge. The type of stocks are classified in M2, M42, M51 and differ from each other because of their major hardness due to the increasing percentage of Cobalt (Cc) and molybdenum (Mo) contained in the metal alloy.

10.2 Blade type

They differ essentially in their constructive characteristics

- Shape and cutting angle of tooth,- Pitch

REGULAR TOOTH: 0° rake and constant pitch.



Most common form for transversal or inclined cutting of solid small and average cross-sections or pipes, in laminated mild steel and gray iron or general metal.

POSITIVE RAKE TOOTH: 9° - 10° positive rake and constant pitch.



Particular use for crosswise or inclined cuts in solid sections or large pipes, but above all harder materials (highly alloyed and stainless steels, special bronze and forge pig iron).

COMBO TOOTH: pitch varies between teeth and consequently varying teeth size and varying gullet depths. Pitch varies between teeth, which ensures a smoother, quieter cut and longer blade life owing to the lack of vibration.



Another advantage offered in the use of this type of blade in the fact that with an only blade it is possible to cut a wide range of different materials in size and type.

ALTERNATE SET (INDIVIDUAL TEETH): Cutting teeth right and left.



This set is used for the cutting of nonferrous soft materials, plastics and wood.

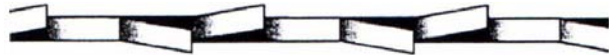
COMBO TOOTH: 9° - 10° positive rake.



This type of blade is the most suitable for the cutting of section bars and large and thick pipes as well as for the cutting of solid bars at maximum machine capacity. Available pitches: 3-4/4-6.

SETS

Saw teeth bent out of the plane of the saw body, resulting in a wide cut in the workpiece.



REGULAR OR RAKER SET: Cutting teeth right and left, alternated by a straight tooth.



Of general use for materials with dimensions superior to 5 mm. Used for the cutting of steel, castings and hard nonferrous materials.

WAVY SET: Set in smooth waves.



This set is associated with very fine teeth and it is mainly used for the cutting of pipes and thin section bars (from 1 to 3 mm).

ALTERNATE SET (IN GROUPS): Groups of cutting teeth right and left, alternated by a straight tooth.



This set is associated with very fine teeth and it is used for extremely thin materials (less than 1mm).

10.3 Materials and characteristics

TYPES OF STEEL						CHARACTERISTICS		
USE	I UNI	D DIN	F AF NOR	GB SB	USA AISI- SAE	Hardne ss BRINEL L HB	Hardness ROCKWE LL HB	R=N/mm ²
Constructi on Steel	Fe360 Fe430 Fe510	St37 St44 St52	E24 E28 E36	---- 43 50	---- ---- ----	116 148 180	67 80 88	360÷480 430÷560 510÷660
Carbon Steel	C20 C40 C50 C60	CK20 CK40 CK50 CK60	XC20 XC42H1 ---- XC55	060 A 20 060 A 40 ---- 060 A 62	1020 1040 1050 1060	198 198 202 202	93 93 94 94	540÷690 700÷840 760÷900 830÷980
Spring Steel	50CrV4 60SiCr8	50CrV4 60SiCr7	50CV40 ----	735 A 50 ----	6150 9262	207 224	95 98	1140÷13 30 1220÷14 00
Alloyed steels for hardening and tempering and for nitriding	35CrMo4 39NiCrMo4 41CrAlMo7	34CrMo4 36CrNiMo4 41CrAlMo7	35CD4 39NCD4 40CADG 12	708 A 37 ---- 905 M 39	4135 9840 ----	220 228 232	98 99 100	780÷930 880÷108 0 930÷113 0
Alloyed casehardeni ng steels	18NiCrMo7 20NiCrMo2	---- 21NiCrMo2	20NCD7 20NCD2	En 325 805 H 20	4320 4315	232 224	100 98	760÷103 0 690÷980
Alloyed steel for bearings	100Cr6	100Cr6	100C6	534 A 99	52100	207	95	690÷980
Tool steel	52NiCrMoK U C100KU X210Cr13K U 58CrMo171 3	56NiCrMoV7C1 00K C100W1 X210Cr12 ----	---- ---- Z200C12 Y60SC7	---- BS 1 BD2- BD3 ----	---- S-1 D6-D3 S5	244 212 252 244	102 96 103 102	800÷103 0 710÷980 820÷106 0 800÷103 0
Stainless steel	X12Cr13 X5CrNi1810 X8CrNi1910 X8CrNiMo1 713	4001 4301 ---- 4401	---- Z5CN18. 09 ---- Z6CDN1 7.12	---- 304 C 12 ---- 316 S 16	410 304 ---- 316	202 202 202 202	94 94 94 94	670÷885 590÷665 540÷685 490÷685
Copper alloys , Special brass, Bronze	Aluminium copper alloy G-CuAl11Fe4Ni4 UNI 5275 Special manganese/silicon-brass G-CuZn36Si1Pb1 UNI5038 Manganese bronze SAE43-SAE430 Phosphor bronze G-CuSn12 UNI 7013/2a					220 140 120 100	98 77 69 56.5	620÷685 375÷440 320÷410 265÷314
Cast iron	Gray pig iron G25 Spheroidal graphite cast iron GS600 Malleable cast iron W40-05					212 232 222	96 100 98	245 600 420

11. Environmental protection

Protect the environment.

Your appliance contains valuable materials which can be recovered or recycled. Please leave it at a specialized institution.


12. Available accessories

Refer to the pricelist for various saw blades.

13. Troubleshooting

This chapter lists the probable faults and malfunctions that could occur while the machine is being used and suggests possible remedies for solving them.

13.1 Blade and cut diagnosis

<u>FAULT</u>	<u>PROBABLE CAUSE</u>	<u>REMEDY</u>
<p data-bbox="155 474 337 504">Tooth Breakage</p> 	<p data-bbox="578 474 753 504">Too fast advance</p> <p data-bbox="578 533 786 562">Wrong cutting speed</p> <p data-bbox="578 701 753 730">Wrong tooth pitch</p> <p data-bbox="578 819 899 869">Chips sticking onto teeth and in the gullets or material that gums</p> <p data-bbox="578 999 922 1050">Defects on the material or material too hard</p> <p data-bbox="578 1348 899 1398">Ineffective gripping of the part in the vise</p> <p data-bbox="578 1436 932 1465">The blade gets stuck in the material</p> <p data-bbox="578 1533 899 1583">Starting cut on sharp or irregular section bars</p> <p data-bbox="578 1621 760 1650">Poor quality blade</p> <p data-bbox="578 1675 909 1726">Previously broken tooth left in the cut</p> <p data-bbox="578 1751 867 1801">Cutting resumed on a groove made previously</p> <p data-bbox="578 1827 678 1856">Vibrations</p>	<p data-bbox="1000 474 1403 525">Decrease advance, exerting less cutting pressure. Adjust the braking device.</p> <p data-bbox="1000 533 1386 667">Change speed and/or type of blade. See chapter on "Material classification and blade selection", in the section <i>Blade selection table according to cutting and feed speed.</i></p> <p data-bbox="1000 701 1386 777">Choose a suitable blade. See Chapter "Material classification and blade selection".</p> <p data-bbox="1000 819 1386 919">Check for clogging of coolant drain holes on the blade-guide blocks and that flow is plentiful in order to facilitate the removal of chips from the blade.</p> <p data-bbox="1000 999 1386 1310">Material surfaces can be oxidized or covered with impurities making them, at the beginning of the cut, harder than the blade itself, or have hardened areas or inclusions inside the section due to productive agents used such as casting sand, welding wastes, etc. Avoid cutting these materials or in a situation a cut has to be made use extreme care, cleaning and remove any such impurities as quickly as possible.</p> <p data-bbox="1000 1348 1305 1377">Check the gripping of the part.</p> <p data-bbox="1000 1436 1354 1491">Reduce feed and exert less cutting pressure.</p> <p data-bbox="1000 1528 1354 1583">Pay more attention when you start cutting.</p> <p data-bbox="1000 1621 1273 1650">Use a superior quality blade</p> <p data-bbox="1000 1675 1370 1705">Accurately remove all the parts left in.</p> <p data-bbox="1000 1751 1403 1780">Make the cut elsewhere, turning the part.</p> <p data-bbox="1000 1827 1256 1856">Check gripping of the part.</p>

FAULT

Tooth Breakage

PROBABLE CAUSE

Wrong tooth pitch or shape

Insufficient lubricating, refrigerant, or wrong emulsion

Teeth positioned in the direction opposite the cutting direction

REMEDY

Replace blade with a more suitable one. See "Material classification and blade selection" in the *Blade Types* section. Adjust blade guide pads. Check level of liquid in the tank. Increase the flow of lubricating refrigerant, checking that the hole and the liquid outlet pipe are not blocked. Check the emulsion percentage. Turn teeth to correct direction

FAULT

Premature blade wear



PROBABLE CAUSE

Faulty running-in of blade

Teeth positioned in the direction opposite the cutting direction

Poor quality blade

Too fast advance

Wrong cutting speed

Defects on the material or material too hard

Insufficient lubricating refrigerant or wrong emulsion

REMEDY

See "Material classification and blade selection" in the *Blade running-in* section.

Turn teeth in correct direction.

Use a superior quality blade.

Decrease advance, exerting less cutting pressure. Adjust the braking device.

Change speed and/or type of blade. See chapter on "Material classification and blade selection," in the section *Blade selection table according to cutting and feed speed*.

Material surfaces can be oxidized or covered with impurities making them, at the beginning of the cut, harder than the blade itself, or have hardened areas or inclusions inside the section due to productive agents used such as casting sand, welding wastes, etc. Avoid cutting these materials or perform cutting with extreme care, cleaning and remove such impurities as quickly as possible.

Check level of liquid in the tank. Increase the flow of lubricating coolant, checking that the coolant nozzle and pipe are not blocked. Check the emulsion percentage.

FAULT

Sawblade breakage



PROBABLE CAUSE

Faulty welding of blade

Too fast advance

Wrong cutting speed

Wrong tooth pitch

Ineffective gripping of the part in the vice

Blade touching material at beginning of cut

Remedy

REMEDY

The welding of the blade is of utmost importance. The meeting surfaces must perfectly match and once they are welded they must have no inclusions or bubbles; the welded part must be perfectly smooth and even. They must be evenly thick and have no bulges that can cause dents or instant breakage when sliding between the blade guide pads. Decrease advance, exerting less cutting pressure. Adjust the braking device. Change speed and/or type of blade.

See chapter on "Material classification and blade selection", in the section *Blade selection table according to cutting and feed speed*.

Choose a suitable blade. See Chapter "Material classification and blade selection."

Check the gripping of the part.

At the beginning of the cutting process, never lower the saw bow before starting the blade motor



Blade guide pads not regulated or dirty because of lack of maintenance

Blade guide block too far from material to be cut

Improper position of blade on flywheels

Insufficient lubricating coolant or wrong emulsion

Check distance between pads (see "Machine adjustments" in the *Blade Guide Blocks* section): extremely accurate guiding may cause cracks and breakage of the tooth. Use extreme care when cleaning. Approach head as near as possible to material to be cut so that only the blade section employed in the cut is free, this will prevent deflections that would excessively stress the blade. The back of blade rubs against the support due to deformed or poorly welded bands (tapered), causing cracks and swelling of the back contour. Check level of liquid in the tank. Increase the flow of lubricating refrigerant, checking that the hole and the liquid outlet pipe are not blocked. Check the emulsion percentage.

FAULT

Steaked or etched blades

PROBABLE CAUSE

Damaged or chipped blade guide pads
Tight or slackened blade guide bearings.

REMEDY

Replace them.
Adjust them (see Chapter "Machine adjustments" in *Blade guide* section).

Cuts off the straight

Blade not parallel as to the counter service

Blade not perpendicular due to the excessive play between the guide pads and maladjustment of the blocks

Too fast advance

Worn out blade

Wrong tooth pitch

Brooken teeth

Insufficient lubricating refrigerant or wrong emulsion

Check fastenings of the blade guide blocks as to the counter-vice so that they are not too loose and adjust blocks vertically; bring into line the position of the degrees and if necessary adjust the stop screws of the degree cuts.

Check and vertically re-adjust the blade guide blocks; reset proper side guide play (see Chapter "Machine adjustments" in *Blade guide* section).

Decrease advance, exerting less cutting pressure. Adjust the braking device.

Approach it as near as possible to material to be cut so that only the blade section employed in the cut is free, this will prevent deflections that would excessively stress the blade.

Replace it. Blade with major density of teeth is being used, try using one with less teeth (see Chapter "Material classification and blade selection" in the *Blade Types* section).

Irregular work of the blade due to the lack of teeth can cause deflection in the cut; check blade and if necessary replace it.

Check level of liquid in the tank. Increase the flow of lubricating coolant, checking that the hole and the liquid outlet pipe are not blocked. Check the emulsion percentage.

FAULT

Faulty cut

PROBABLE CAUSE

Worn out flywheels
Flywheel housing full of chips

REMEDY

The support and guide flange of the band are so worn out that they cannot ensure the alignment of the blade, causing faulty cutting; blade rolling and drawing tracks can have become tapered. Replace them. Clean with compressed air.

Streaked cutting surface



Too fast advance

Poor quality blade
Worn out blade or with chipped and/or broken teeth
Wrong tooth pitch

Blade guide block too far from material to be cut

Insufficient lubricating coolant or wrong emulsion

Decrease advance, exerting less cutting pressure. Adjust the braking device.

Use a superior quality blade.

Replace it.

Blade used probably has too large teeth, use one with more teeth (see "**Material classification and blade selection**" in the *Blade Types* section).

Approach it as near as possible to material to be cut so that only the blade section employed in the cut is free, this will prevent deflections that would excessively stress the blade.

Check level of liquid in the tank. Increase the flow of lubricating coolant, checking that the hole and the liquid outlet pipe are not blocked. Check the emulsion percentage.

Noise on guide blocks

Chipped bearings
Worn out or damaged pads

Dirt and/or chips between blade and guide bearings. Replace them.
Replace them

DE - DEUTSCH

Gebrauchsanleitung

Sehr geehrter Kunde,

vielen Dank für das Vertrauen, welches Sie uns beim Kauf Ihrer neuen Maschine entgegengebracht haben. Diese Anleitung ist für den Inhaber und die Bediener zum Zweck einer sicheren Inbetriebnahme, Bedienung und Wartung der **Horizontal-Metallbandsäge SX-823DGVI / SX-827DGVI** erstellt worden. Beachten Sie bitte die Informationen dieser Gebrauchsanleitung und der beiliegenden Dokumente. Lesen Sie diese Anleitung vollständig, insbesondere die Sicherheitshinweise, bevor Sie die Maschine zusammenbauen, in Betrieb nehmen oder warten. Um eine maximale Lebensdauer und Leistungsfähigkeit Ihrer Maschine zu erreichen befolgen Sie bitte sorgfältig die Anweisungen.

Inhaltsverzeichnis

1. Konformitätserklärung
2. Garantieleistungen
3. Sicherheit
4. Maschinenabmessungen, Transport, Montage, Demontage
5. Die Funktionsteile der Maschine
6. Wie man die Bandsäge korrekt verwendet
7. So stellen sie ihre Maschine richtig ein
8. Routine und Sonderwartungen
9. Technische Daten
10. Wahl des Sägebandes
11. Umweltschutz
12. Lieferbares Zubehör
13. Fehlersuche

1. Konformitätserklärung

Wir erklären in alleiniger Verantwortlichkeit, dass dieses Produkt mit den auf Seite 2 angegebenen Richtlinien* übereinstimmt.

Bei der Konstruktion wurden folgende Normen** berücksichtigt.

2. Garantieleistungen

Der Verkäufer garantiert, dass das gelieferte Produkt frei von Material- und Fertigungsfehlern ist. Diese Garantie trifft nicht auf jene Defekte zu, welche auf direkten oder indirekten, nicht fachgerechten Gebrauch, Unachtsamkeit, Unfallschaden, Reparatur, mangelhafte Wartung bzw. Reinigung sowie normalen Verschleiß zurückzuführen sind.

Garantie- bzw. Gewährleistungsansprüche müssen innerhalb von 12 Monaten ab dem Verkaufsdatum (Rechnungsdatum) geltend gemacht werden. Weitergehende Ansprüche sind ausgeschlossen.

Die vorliegende Garantie umfasst sämtliche Garantieverpflichtungen seitens des Verkäufers und ersetzt alle früheren Erklärungen und Vereinbarungen betreffend Garantien.

Die Garantiefrist gilt für eine tägliche Betriebszeit von 8 Stunden. Wird diese überschritten, so verkürzt sich die Garantiefrist proportional zur Überschreitung, jedoch höchstens auf 3 Monate.

Die Rücksendung beanstandeter Ware bedarf der ausdrücklichen vorherigen Zustimmung vom Verkäufer und geht auf Kosten und Gefahr des Käufers.

Die ausführlichen Garantieleistungen sind den Allgemeinen Geschäftsbedingungen (AGB) zu entnehmen. Die AGB sind unter www.jettools.com einzusehen oder werden auf Anfrage per Post zugestellt.

Der Verkäufer behält sich das Recht vor, jederzeit Änderungen am Produkt und Zubehör vorzunehmen.

3. Sicherheit

3.1 Bestimmungsgemäße Verwendung

Die Maschine ist vorgesehen zum Sägen von zerspanbaren Metallen und Kunststoffen. Die Bearbeitung anderer Werkstoffe ist nicht zulässig bzw. darf in Sonderfällen nur nach Rücksprache mit dem Maschinenhersteller erfolgen.

Niemals Magnesium zerspanen- Hohe Feuergefahr!

Es dürfen nur Werkstücke bearbeitet werden welche sicher aufgelegt und gespannt werden können.

Die bestimmungsgemäße Verwendung beinhaltet auch die Einhaltung der vom Hersteller angegebenen Betriebs- und Wartungsanweisungen.

Die Maschine darf ausschließlich von Personen bedient werden, die mit Betrieb und Wartung vertraut und über die Gefahren unterrichtet sind.

Das gesetzliche Mindestalter ist einzuhalten.

Die Maschine nur in technisch einwandfreiem Zustand mit montierten Schutzeinrichtungen betreiben.

Neben den in der Gebrauchsanleitung enthaltenen Sicherheitshinweisen und den besonderen Vorschriften Ihres Landes sind die für den Betrieb von Holz- und Metallbearbeitungsmaschinen allgemein anerkannten fachtechnischen Regeln zu beachten.

Jeder darüber hinaus gehende Gebrauch gilt als nicht bestimmungsgemäß und für daraus resultierende Schäden haftet der Hersteller nicht. Das Risiko trägt allein der Benutzer.

3.2 Allgemeine Sicherheitshinweise

Holz- und Metallbearbeitungsmaschinen können bei unsachgemäßem Gebrauch gefährlich sein. Deshalb ist zum sicheren Betreiben die Beachtung der zutreffenden Unfallverhütungs- Vorschriften und der nachfolgenden Hinweise erforderlich.

Lesen und verstehen Sie die komplette Gebrauchsanleitung bevor Sie mit Montage oder Betrieb der Maschine beginnen.

Bewahren Sie die Bedienungsanleitung, geschützt vor Schmutz und Feuchtigkeit, bei der Maschine auf, und geben Sie sie an einen neuen Eigentümer weiter.

An der Maschine dürfen keine Veränderungen, An- und Umbauten vorgenommen werden.

Überprüfen Sie täglich vor dem Einschalten der Maschine die einwandfreie Funktion und das Vorhandensein der erforderlichen Schutzeinrichtungen.

Festgestellte Mängel an der Maschine oder den Sicherheitseinrichtungen sind zu melden und von den beauftragten Personen zu beheben. Nehmen Sie die Maschine in solchen Fällen nicht in Betrieb, sichern Sie die Maschine gegen Einschalten durch Ziehen des Netzsteckers.

Zum Schutz von langem Kopfhair Mütze oder Haarnetz aufsetzen.

Enganliegende Kleidung tragen, Schmuck, Ringe und Armbanduhren ablegen.

Tragen Sie Schutzschuhe, keinesfalls Freizeitschuhe oder Sandalen.

Verwenden Sie die durch Vorschriften geforderte persönliche Schutzausrüstung.

Beim Arbeiten an der Maschine **keine Handschuhe** tragen.

Zum Handhaben des Sägebandes geeignete Arbeitshandschuhe tragen.

Beim Arbeiten Schutzbrille tragen.

Die Maschine so aufstellen, dass genügend Platz zum Bedienen und zum Führen der Werkstücke gegeben ist.

Sorgen Sie für gute Beleuchtung.

Achten Sie darauf, dass die Maschine standsicher auf fester und ebener Tischfläche steht.

Beachten Sie dass die elektrische Zuleitung nicht den Arbeitsablauf behindert und nicht zur Stolperstelle wird.

Den Arbeitsplatz frei von behindernden Werkstücken, etc. halten.

Niemals in die laufende Maschine greifen.

Seien Sie aufmerksam und konzentriert. Gehen Sie mit Vernunft an die Arbeit.

Achten Sie auf ergonomische Körperhaltung. Sorgen Sie für sicheren Stand und halten Sie jederzeit das Gleichgewicht.

Arbeiten Sie niemals unter dem Einfluss von Rauschmitteln wie Alkohol und Drogen an der Maschine. Beachten Sie, dass auch Medikamente Einfluss auf Ihr Verhalten nehmen können.

Halten Sie Unbeteiligte, insbesondere Kinder vom Gefahrenbereich fern.

Die laufende Maschine nie unbeaufsichtigt lassen. Vor dem Verlassen des Arbeitsplatzes die Maschine ausschalten.

Benützen Sie die Maschine nicht in der Nähe von brennbaren Flüssigkeiten oder Gasen. Beachten Sie die Brandmelde- und Brandbekämpfungsmöglichkeiten z.B. Standort und Bedienung von Feuerlöschern.

Benützen Sie die Maschine nicht in feuchter Umgebung und setzen Sie sie nicht dem Regen aus.

Beim Sägen von unhandlichen Werkstücken geeignete Hilfsmittel zum Abstützen verwenden.

Die Bandführungen möglichst nahe an das Werkstück anstellen.

Abgesägte, eingeklemmte Werkstücke nur bei ausgeschaltetem Motor und Stillstand des Sägebandes entfernen.

Nur mit gut geschärften Werkzeugen arbeiten.

Bearbeiten Sie nur ein Werkstück, das sicher auf dem Tisch aufliegt.

Angaben über die min. und max. Werkstückabmessungen müssen eingehalten werden.

Nicht auf der Maschine stehen.

Arbeiten an der elektrischen Ausrüstung der Maschine dürfen nur durch eine Elektrofachkraft vorgenommen werden.

Tauschen Sie ein beschädigtes Netzkabel sofort aus.

Umrüst-, Einstell- und Reinigungsarbeiten nur im Maschinenstillstand und bei gezogenem Netzstecker vornehmen.

3.3 Restrisiken

Auch bei vorschriftsmäßiger Benutzung der Maschine bestehen die nachfolgend aufgeführten Restrisiken:

Verletzungsgefahr durch das frei laufende Sägeband im Arbeitsbereich.

Gefährdung durch Bruch des Sägebandes.

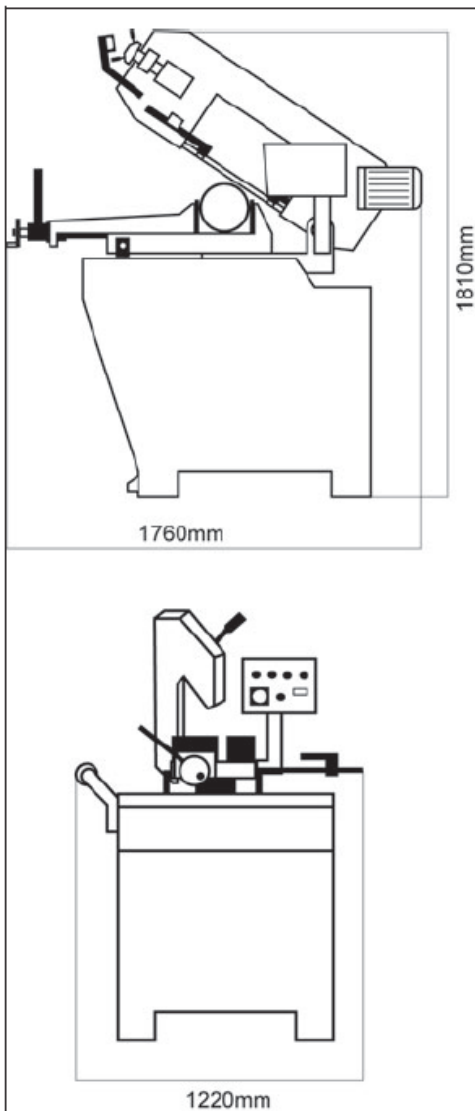
Gefährdung durch Lärm und wegfliegende Späne.
Unbedingt persönliche Schutzausrüstung wie Augen- und Gehörschutz tragen.

Gefährdung durch Strom, bei nicht ordnungsgemäßer Verkabelung.

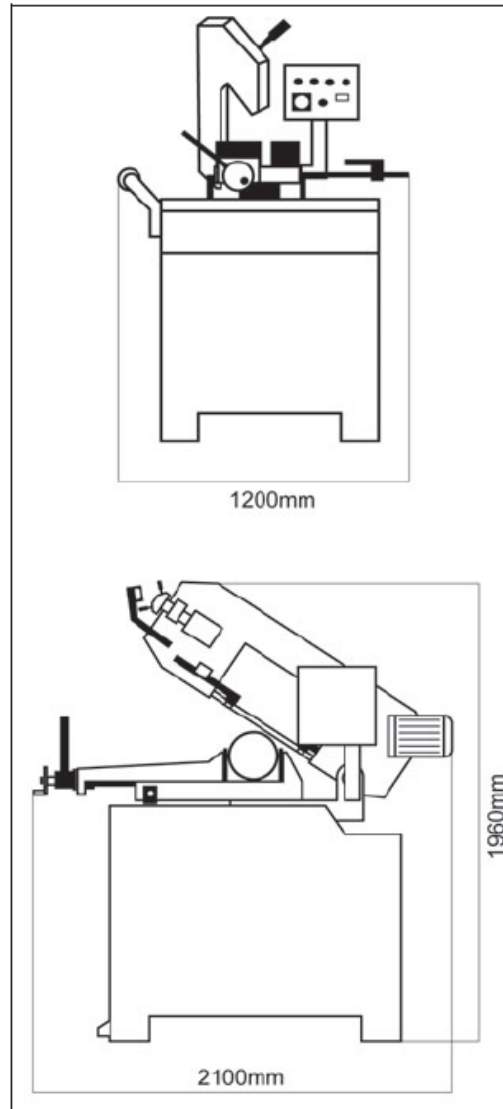
4. Maschinenabmessungen, Transport, Montage und Demontage

4.1 Maschinenabmessungen

SX-823DGV

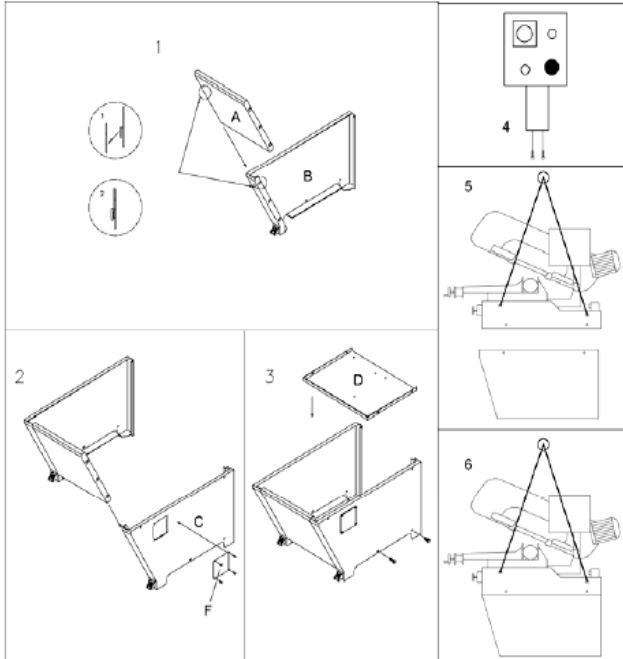


SX-827DGV



4.2 Montage von Säge und Fuß

- Verbinden Sie die Platten A, B und C, indem Sie die Zapfen in die Schlitze stecken; siehe kreisförmige Abbildungen 1 und 2.
- Befestigen Sie die Bodenplatte D unter Verwendung der mitgelieferten Feststellschrauben innerhalb der verbundenen Platten A, B und C.
- Befestigen Sie Platte F unter Verwendung der mitgelieferten Feststellschrauben an Platte C.
- Befestigen Sie den Schaltkasten unter Verwendung von zwei der mitgelieferten Feststellschrauben.
- Setzen Sie die Sägeeinheit auf den Fuß; siehe Abbildung.
- Befestigen Sie die Sägeeinheit unter Verwendung der mitgelieferten Feststellschrauben auf dem Fuß.

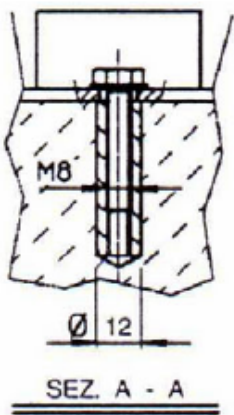


Wenn die Maschine transportiert werden muss, verwenden Sie bitte die Originalverpackung und platzieren Sie sie mit Hilfe eines Gabelstaplers. Man kann das Gerät auch mittels Trageriemen gemäß Abbildung transportieren.

4.3 Mindestanforderungen zur Unterbringung der Maschine

- Netzspannung und -frequenz müssen mit den Anforderungen des Maschinenmotors übereinstimmen.
- Die Umgebungstemperatur sollte sich zwischen -10°C to $+ 50^{\circ}\text{C}$ bewegen.
- Die relative Luftfeuchtigkeit darf nicht höher als 90% sein.

4.4 Verankerung der Maschine



Stellen Sie die Maschine auf einem festen Zementboden so auf, dass ein Mindestabstand von 800 mm zur Wand besteht. Verankern Sie die Maschine unter Verwendung von Schrauben und Spreizdübeln oder in den Zement eingelassenen Zugankern, sodass sie waagrecht steht (siehe Abbildung).

4.5 Aufbauanleitung für Beipackteile und Zubehör

Bringen Sie die mitgelieferten Bauteile wie folgt an:

Punkt 1: Bringen Sie die Anschlagstange an

Punkt 2: Bringen Sie die Werkstück-Auflagestützrollen am Schraubstocktisch an.

4.6 Deaktivierung der Maschine

- Wenn die Sägemaschine über einen längeren Zeitraum nicht in Gebrauch ist, ist es empfehlenswert wie folgt vorzugehen:

- 1) Trennen Sie den Stecker vom Netzanschluss
- 2) Lösen Sie das Sägeband
- 3) Lösen Sie die Bogen-Rückstellfeder
- 4) Leeren Sie den Kühlmitteltank
- 5) Reinigen und schmieren Sie die Maschine gründlich
- 6) Decken Sie die Maschine ggf. ab.

4.7 Demontage (wegen Verschleiß und/oder Alterung)

Allgemeine Regeln

Wenn die Maschine dauerhaft abgebaut oder verschrottet werden soll, trennen Sie die zu entsorgenden Materialien bitte wie folgt nach Art und Zusammensetzung:

- 1) Gusseiserne oder eisenhaltige Materialien, die nur aus Metall bestehen, sind Sekundärrohstoffe. Diese können nach Entfernen aller Inhaltsstoffe (Einstufung siehe Punkt 3) in einer Eisengießerei wiederverwertet werden.
- 2) Elektrische Komponenten, einschließlich der Kabel- und Elektronik-Materialien (Magnetkarten etc.), fallen gemäß der örtlichen, staatlichen oder Bundesgesetze in die Kategorie der städtischen Abfälle. Sie können also durch die Städtische Müllabfuhr entsorgt werden;
- 3) Alte Mineralöle und synthetische und/oder gemischte Öle, emulgierte Öle und Fette gelten als Sondermüll. Sie müssen demzufolge von einem speziellen Entsorgungsunternehmen eingesammelt, abtransportiert und entsorgt werden.

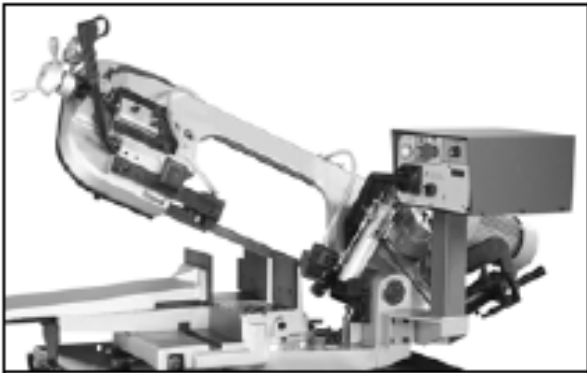
HINWEIS: Die den Abfall betreffenden Normen und Vorschriften werden ständig weiterentwickelt und können sich daher ändern. Da diese demzufolge von dem soeben beschriebenen Verfahren abweichen können, müssen Sie die Vorschriften zum Zeitpunkt der Entsorgung überprüfen.

5 Die Funktionsteile der Maschine

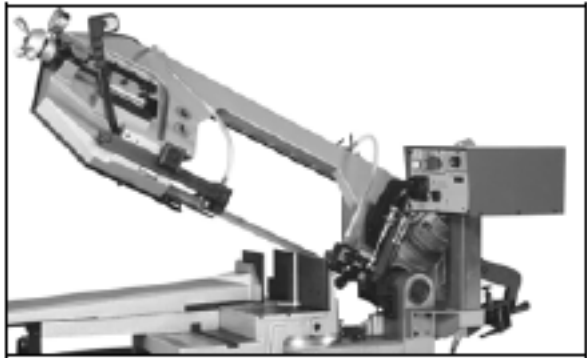
5.1 Der Sägearm

Maschinenteile, die aus Antriebselementen (Getriebemotor oder Motor mit variabler Geschwindigkeit, Schwunräder), Spannung und Führung (Gleitschiene zur Sägebandspannung, Sägeband-Führungsblocks) des Werkzeugs bestehen.

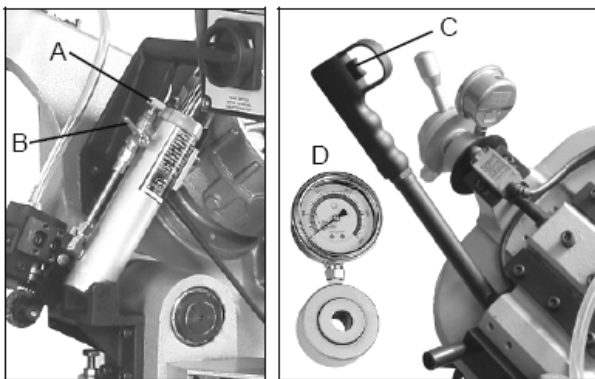
SX-823DGV1



SX-827DGV1



5.2 Steuerelemente



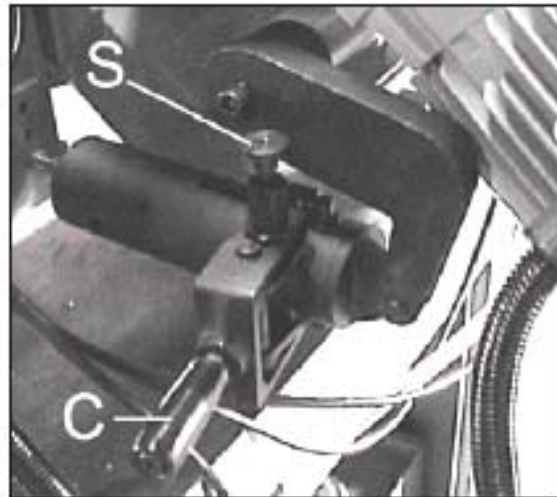
A. Hydraulisches Mengenregelventil

B. Hydraulisches Regelventil

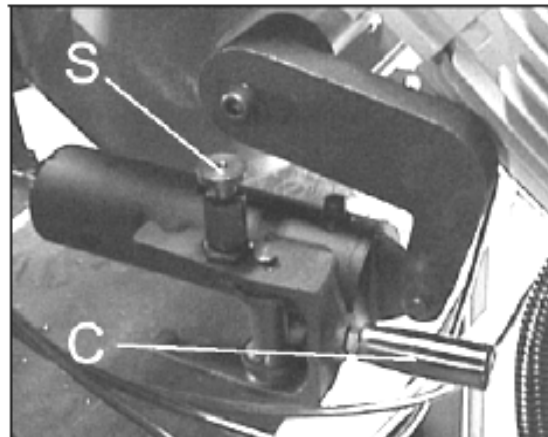
C. Schalterdrücker

D. Sägebandspannungs-Messinstrument

C1. Position „manuell“



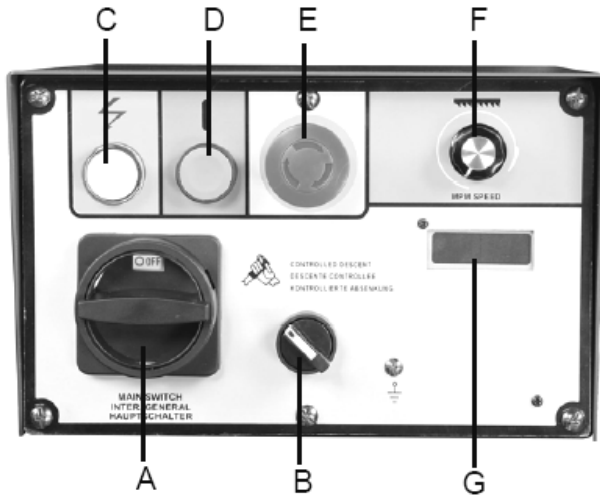
C2. Position „automatisch“



C. Gabelgriff

S. Drucktaster

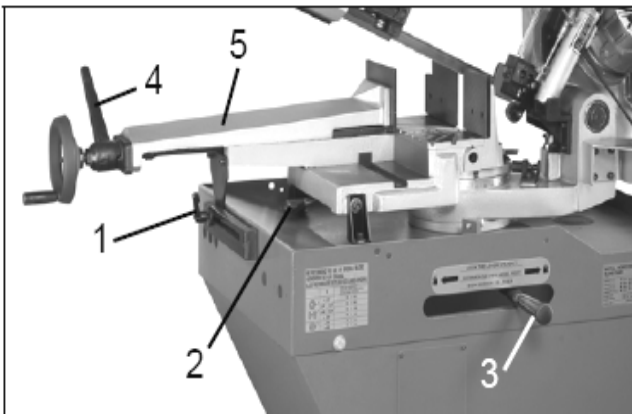
SX-823DGV / SX-827DGV



- A. Hauptschalter
- B. Wahlschalter manuell/automatisch
- C. Leuchtanzeige
- D. Start-Taste für automatisches Sägen
- E. Nothalttaster
- F. Regler für die Sägebandgeschwindigkeit
- G. Anzeige für die Sägebandgeschwindigkeit

5.3 Anpassung des Schraubstocks

- Das Gerät benötigt keine besondere Justierung. Sollte die Gleitführung zu viel Spiel haben, ziehen Sie die Schraube fester an.



Um den Schraubstock frei bewegen zu können, muss der Schraubstock an zwei Stellen gelöst werden.

- Lösen Sie die Führungsstütze indem Sie den Griff (1) entgegen dem Uhrzeigersinn drehen.
- Lösen Sie den Schraubstock, indem Sie den Feststellhebel (2) nach links bewegen.

- Der Schraubstock (5) kann nun, indem man mit einer Hand auf die verstellbaren Backen und mit der anderen auf den Spurriff (1) drückt, nach rechts (7) oder links (6) verschoben werden.

- Stimmt die Position, drücken Sie den Feststellhebel (2) nach rechts, um ihn zu fixieren.

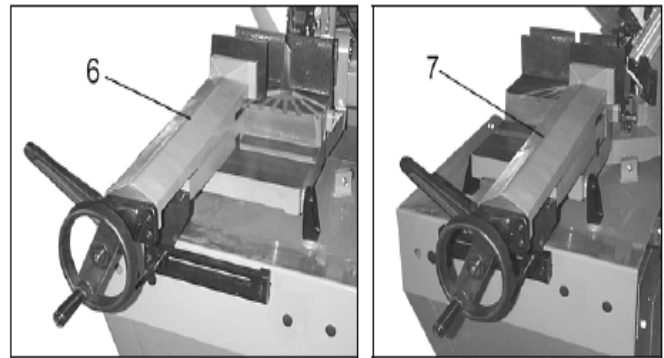
- Stellen Sie die Führungsstütze (1) fest, indem Sie den Griff im Uhrzeigersinn drehen.

Das Werkstück einspannen

- Legen Sie das Werkstück zwischen die Backen.

- Unter Verwendung des Handrads können Sie das Werkstück in den Schraubstockbacken festklemmen. Fixieren Sie das Werkstück durch Herunterdrücken des Hebels (4). Drücken Sie die Starttaste für das automatische Sägen (D). Wenn der Arbeitsgang beendet ist, öffnen Sie den Schraubstock durch Hochziehen des Hebels (4). Die Schraubstockbacken öffnen sich dann. Hierdurch ist ein schnelles Nachladen von gleichgroßem Material gewährleistet.

5.4 Anpassung des Sägewinkels



Gehrungen schneiden

- Auf der rechten Seite kann man max. eine 60-Grad-Gehrung sägen. Die Schraubstockbacken müssen hierfür auf der linken Seite (6) angebracht sein.

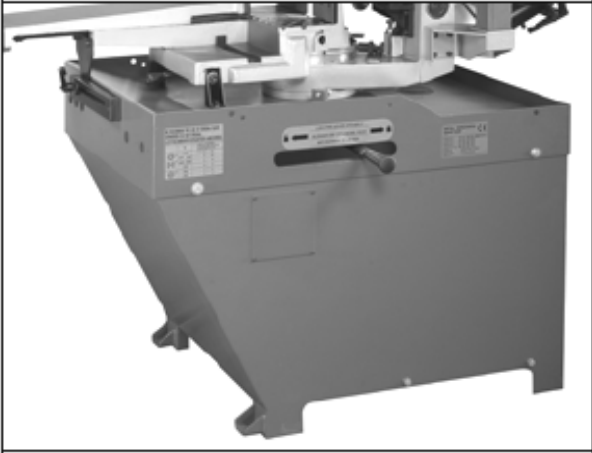
- Auf der linken Seite kann man max. 45-Grad-Gehrungen sägen. Die Schraubstockbacken müssen hierfür an der rechten Seite (7) angebracht sein.

- Lösen Sie den Hebel (3) und schwenken Sie den Sägearm bis zum Anschlag. Überprüfen Sie, ob die Anzeige 45 Grad entspricht. Sollte dies nicht der Fall sein, justieren Sie die Feststellschrauben entsprechend.

5.5 Der Fuß

- Abstützvorrichtung für SÄGEARM (Schwenkarm für stufenweises Sägen und das jeweilige Blockiersystem), SCHRAUBSTOCK, ANSCHLAGSCHIENE und Werkstück-Auflagestützrollen um das Material zu unterstützen. Der Fuß enthält den TANK mit der Kühlflüssigkeit und die PUMPE.

SX-823 DGV1

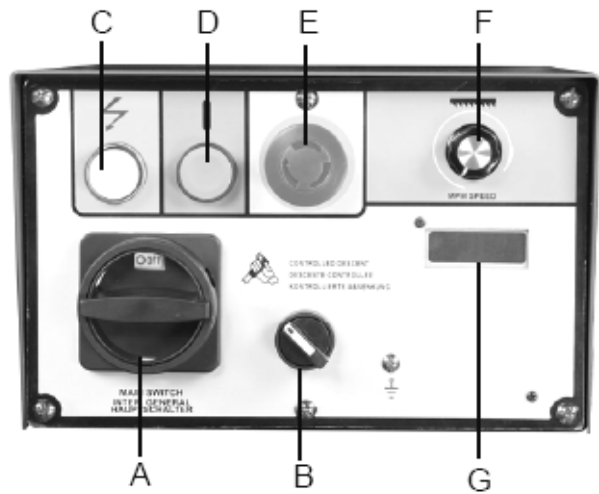


Der hydraulische Zylinder eignet sich hervorragend zur Verarbeitung von dünnen und Edelstahl-Profilstäben. Ein konstantes Absenken wird benötigt und demzufolge wird das Sägeband in der Arbeitsphase effizient eingesetzt.

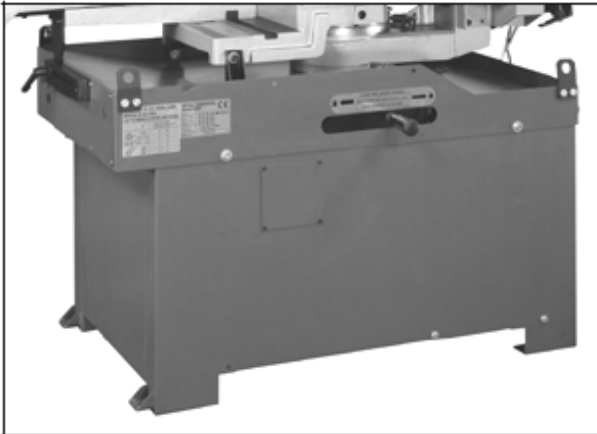
Durch Justierung des Mengenreglers (A) kann das Gerät an verschiedene Situationen und Anwendungsgebiete angepasst werden. Der Hebel (B) ist der ein/aus-Schalter für die hydraulische Mengenregelung.

5.7 Der Arbeitsgang

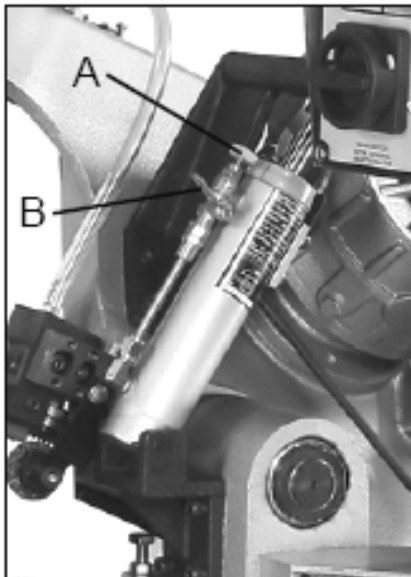
Bevor die Maschine in Betrieb gesetzt wird, müssen alle Hauptbestandteile in den Idealzustand versetzt werden.



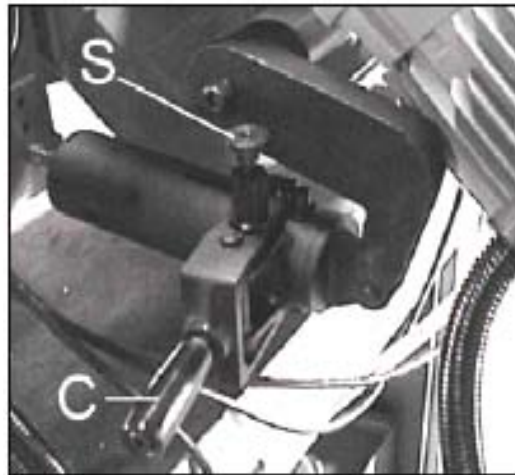
SX-827 DGV1



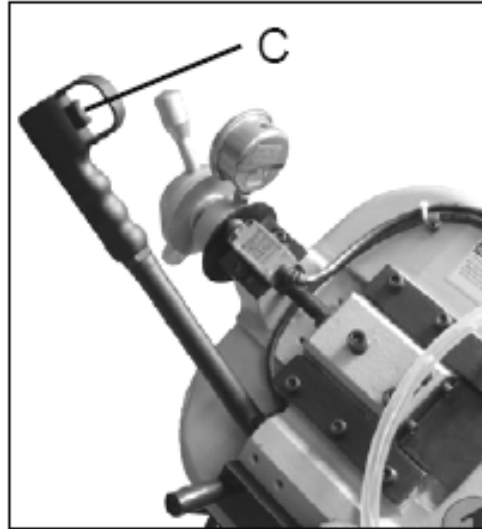
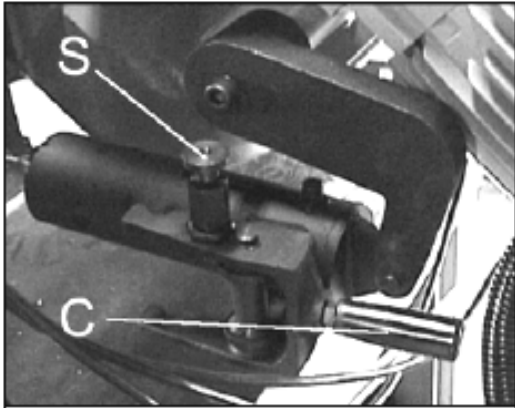
5.6 Steuerung zum Absenken des Sägerahmens



C1 Position „manuell“



C2 Position „automatisch“



Arbeitsgang:

A. Arbeitsgang „manuell“ durch Kippschalter ausgelöst

- Sägearm anheben.
 - Schließen Sie das hydraulische Mengenregelventil am Zylinder (B) (5.6), indem Sie das Ventil im Uhrzeigersinn bis zum Anschlag drehen.
 - Heben Sie den Drucktaster (S) an, um den Bolzen aus der Nut zu lösen. Dadurch wird der Gabelgriff (C) freigelegt. Bewegen Sie den Griff in die Position „manuell“ (C1). Heben Sie den Drucktaster (S) an und sichern Sie den Bolzen in der Nut.
 - Verwenden Sie den Wahlschalter manuell/automatisch (B) und wählen Sie das Griff-Symbol aus.
 - Stellen Sie die Schnittgeschwindigkeit mithilfe des Geschwindigkeitsreglers (F) ein.
 - Schalten Sie den Hauptschalter (A) AN.
- Überprüfen Sie, dass die Leuchtanzeige (C) aufleuchtet.
- Laden Sie das Werkstück und klemmen Sie es ordnungsgemäß fest.
 - Öffnen Sie das hydraulische Mengenregelventil (B) (5.6) vollständig, indem Sie das Ventil im Uhrzeigersinn bis zum Anschlag drehen. Öffnen Sie den Durchflussregler (A) ebenfalls bis zum Anschlag, indem Sie ihn gegen den Uhrzeigersinn drehen.

- Betätigen Sie den Kippschalter (C) um den Arbeitsgang zu starten.
- Setzen Sie die Geschwindigkeit des Sägebands zurück.
- Bitte verringern Sie die Absenkgeschwindigkeit des Sägearms durch Anpassen des Mengenregelventils (A), wenn Sie Rohre mit dünnen Wandungen schneiden.
- Drücken Sie den Nothalt-Knopf (E), um alle Funktionen abzuschalten. Der Nothaltknopf lässt sich wieder lösen, indem man den Pilzknopf (E) im Uhrzeigersinn dreht. Der Knopf kommt nach oben und der Arbeitsgang kann erneut gestartet werden.
- Normalerweise beginnt man mit dem Sägen, indem man das hydraulische Mengenregelventil (A) leicht entgegen dem Uhrzeigersinn von 2 auf 3 stellt, um die Absinkgeschwindigkeit des Sägearms unter Kontrolle zu haben. Sinkt der Arm zu schnell herab, drehen Sie das hydraulische Mengenregelventil (B) bis zum Anschlag im Uhrzeigersinn, um das Absinken zu stoppen. Wenn der Sägearm zu schnell herabsinkt, kann es sein, dass das Sägeband durch das Werkstück angehalten wird und sich die Maschine sofort abschaltet. Drücken Sie den Notfall-Knopf (E) auf der Bedienplatte und (K) SX-823DG im Fuß, sodass alle Maschinenfunktionen unverzüglich angehalten werden.

B. Automatischer Säge-Arbeitsgang

- Sägearm anheben.
- Schließen Sie das hydraulische Mengenregelventil (A) indem Sie das Ventil im Uhrzeigersinn bis zum Anschlag drehen.
- Heben Sie den Drucktaster (S) an, um den Bolzen aus der Nut zu lösen. Dadurch wird der Gabelgriff (C) freigelegt. Bewegen Sie den Griff in die Position „automatisch“ (C2). Heben Sie den Drucktaster (S) an und sichern Sie den Bolzen in der Nut.
- Verwenden Sie den Wahlschalter manuell/automatisch (B) und wählen Sie „automatisch“.

- Wählen Sie die Schnittgeschwindigkeit mithilfe des Geschwindigkeitswahlknopfes (F).

- Schalten Sie den Hauptschalter (A) AN.

Überprüfen Sie, ob die Leuchtanzeige (C) aufleuchtet.

-Laden Sie das Werkstück und klemmen Sie es ordnungsgemäß fest.

- Drücken Sie den Start-Knopf (D) um die Maschine in Gang zu setzen. Prüfen Sie, dass das Sägeband in die richtige Richtung läuft.

- Ziehen Sie den Sägearm leicht herunter, damit evtl. Luftblasen aus dem hydraulischen Zylinder verschwinden.

- Um den Sägearm herunterzulassen und den Arbeitsgang zu beginnen, passen Sie das hydraulische Mengenregelventil (A) an, indem Sie das Ventil entgegen dem Uhrzeigersinn drehen.

- Drücken Sie den Nothalt-Knopf (E), um alle Funktionen abzuschalten. Um die Maschine wieder zu starten, dreht man den Pilzknopf (E) im Uhrzeigersinn. Der Knopf kommt nach oben und der Arbeitsgang kann erneut gestartet werden.

- Normalerweise beginnt man mit dem Sägen, indem man das hydraulische Mengenregelventil (A) leicht entgegen dem Uhrzeigersinn von 2 auf 3 stellt, um die Absinkgeschwindigkeit des Sägearms unter Kontrolle zu haben. Sinkt der Arm zu schnell herab, drehen Sie das hydraulische Mengenregelventil (B) (3.6) bis zum Anschlag im Uhrzeigersinn, um das Absinken zu stoppen.
* Hinweis: Wenn der Sägearm zu schnell herabsinkt, kann es sein, dass das Sägeband durch das Werkstück angehalten wird und sich die Maschine sofort abschaltet. Sollte dies der Fall sein, drücken Sie auf den Notfall-Knopf (E), sodass alle Maschinenfunktionen unverzüglich angehalten werden.



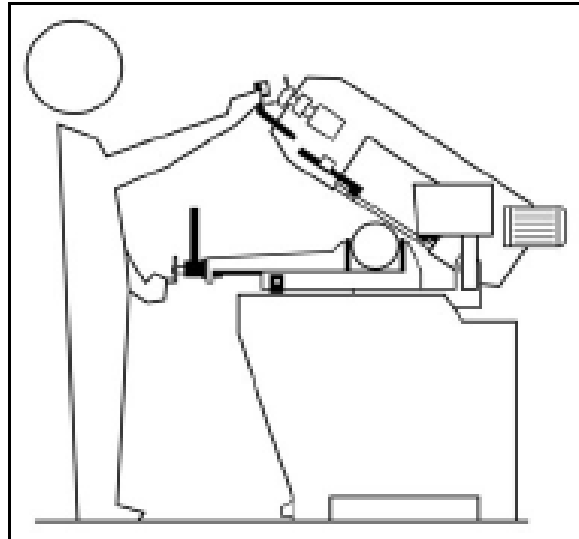
Sägerichtung

6. Wie man die Bandsäge korrekt verwendet

6.1 Empfehlungen und Hinweise zur Verwendung der Maschine

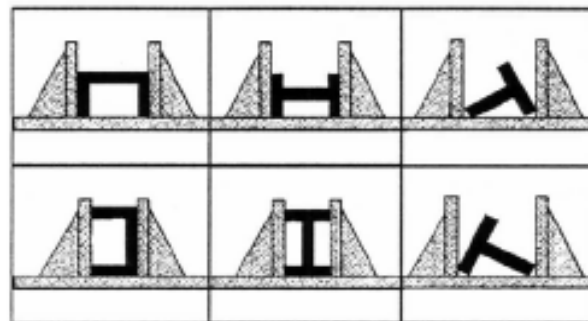
Die Maschine wurde zum Sägen von Baumaterialien aus Metall verschiedener Formen und Profile entwickelt. Sie ist für den Einsatz in Werkstätten, Drehereien und für allgemeine mechanische Rohbauarbeiten bestimmt.

Es ist nur eine Person erforderlich, um die Maschine zu bedienen. Die Maschine muss, wie auf dem Bild gezeigt, aufgestellt werden.



- Bitte vergewissern Sie sich vor jedem Sägevorgang, dass das Werkstück sicher in die Schraubstock-Backen geklemmt wurde und dass das Ende angemessen gestützt wird.

- Die unten angeführten Abbildungen zeigen Beispiele für das geeignete Einspannen von unterschiedlichen Stangen-Querschnitten. So werden die Sägekapazitäten der Maschine berücksichtigt, und man erreicht eine gute Leistungsfähigkeit und lange Lebensdauer des Sägebands.



- Verwenden Sie keine Sägebänder, die eine andere Größe haben als in der Maschinenspezifikationen angegeben.

- Bleibt das Sägeband im Schnitt stecken, muss man sofort den Schalterdrücker loslassen und die Maschine ausschalten. Öffnen Sie langsam den Schraubstock, nehmen Sie das Werkstück heraus und überprüfen Sie den Zustand des Sägebands und der Zahnung. Wechseln Sie aus, was beschädigt ist.

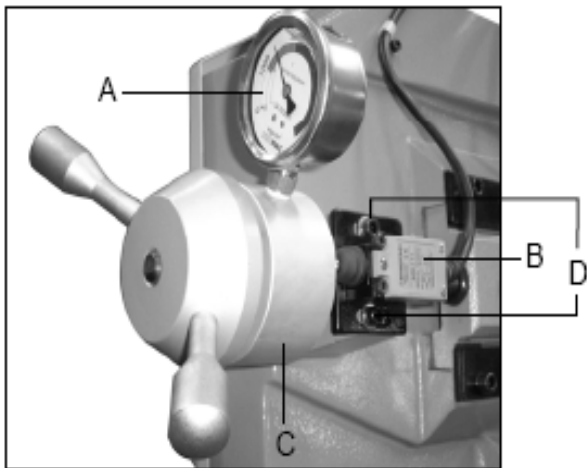
- Bevor Sie Reparaturen an der Maschine durchführen, sollten Sie Ihren Händler zu Rate ziehen.

7. So stellen sie ihre Maschine richtig ein

7.1 Aufbau der Sägebandspannung

Man erreicht die ideale Spannung des Sägebands durch Drehen des Handrades bis die Nadel auf dem Spannungsmessgerät (A) die richtige Bandspannung anzeigt.

Die Maschine funktioniert nicht, solange der Mikroschalter nicht durch Kontaktaufnahme mit der Spannvorrichtung (C) eingeschaltet wird.



Sollte die Spannung korrekt aufgebaut sein, der Mikroschalter (B) aber keinen Kontakt haben oder nicht richtig auslösen, nehmen Sie folgende Anpassung vor.

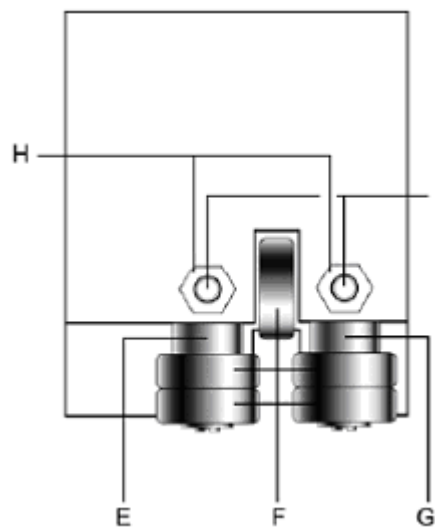
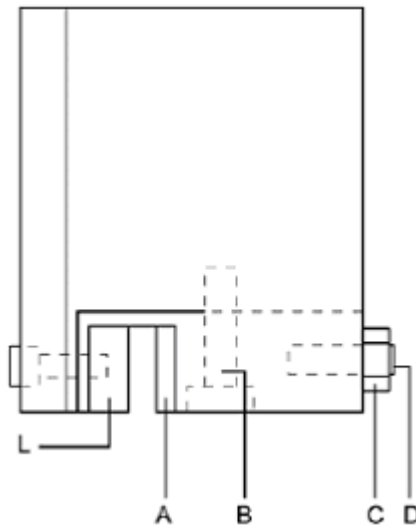
- Lösen Sie die Stellschrauben (D).
- Drücken Sie den Mikroschalter (B) in Richtung Spannvorrichtung (C). Stellen Sie sicher, dass der Plunger richtig gedrückt wird.
- Ziehen Sie die Stellschrauben (D) wieder fest, damit der Mikroschalter (B) fixiert ist.

7.2 Anpassung des Sägebandes

- Trennen Sie die Maschine von der Stromversorgung.
- Benutzen Sie einen Inbusschlüssel um die Innensechskantschraube (A) auf der eckigen Schlossplatte zu lösen.
- Halten Sie den Griff (B) und die Führungsschiene, sodass die Führungsschiene so nah wie möglich am Material ist, ohne dabei den Schnitt zu behindern.
- Ziehen Sie die Innensechskantschraube an (A).
- Schließen Sie die Maschine wieder an die Stromversorgung an.

Führungsblöcke des Sägebandes

Das Sägeband wird durch verstellbare Bandlager geführt, die der Dicke des Sägebands entsprechend mit minimalem Spiel fixiert werden (siehe Abbildung).



Sollte ein Austausch des Sägeband notwendig werden, achten Sie bitte darauf nur 0,9 mm dicke Sägebänder zu verwenden, da die Bandlager hierauf ausgelegt sind. Sollten Sägebänder mit einer abweichenden Stärke verwendet werden, müssen folgende Anpassungen durchgeführt werden:

- Lösen Sie die Muttern (C), Schrauben (B) und den Stellschrauben (D), wodurch Sie den Durchlass zwischen den Bandlagern erweitern.

- Lösen Sie die Muttern (H) und die Stellschrauben (I) und drehen Sie die Stifte (E - G) um den Durchlass zwischen den Kugellagern (F) zu erweitern.

- Befestigung des neuen Sägebands: setzen Sie den Bandführung (A) auf das Sägeband indem Sie die Stellschrauben lösen. Ein Spielraum von 0,04 mm muss gegeben sein, damit sich das Sägeband bewegen kann. Verschrauben Sie die entsprechende Mutter und Schraube (B). Drehen Sie die Stifte (E - G) bis die Führungsschienen am Sägeband anliegen (siehe Abbildung) und befestigen Sie dann die Stellschrauben (I) und die Mutter (H).

- Stellen Sie sicher, dass zwischen Sägebandrücken und des Bandlagers (L) ein Spielraum von mindestens 0,2 bis 0,3 mm ist. Lösen Sie, wenn nötig, die Schrauben, mit denen die Blöcke befestigt sind und passen Sie diese an.

BEVOR SIE DIE FOLGENDEN ARBEITSGÄNGE DURCHFÜHREN, MUSS DAS NETZKABEL VOLLSTÄNDIG VON DER STROMVERSORGUNG GETRENNT SEIN.

7.3 Wechsel des Sägebandes

Zum Wechseln des Sägebands:

- Sägearm anheben.

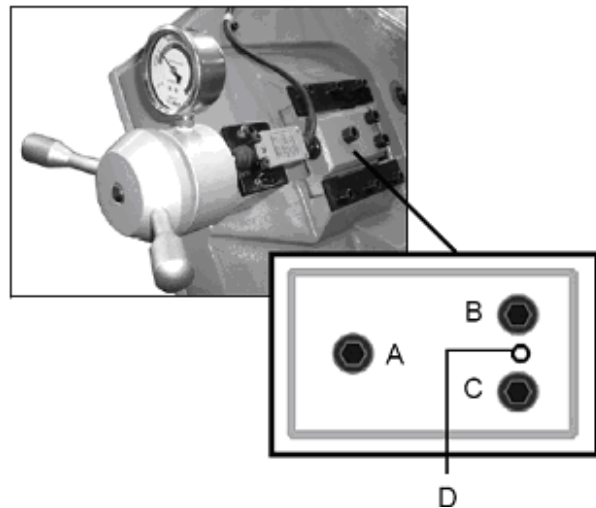
- Sägeband mit Hilfe des Handrads lösen. Schutzvorrichtung vom Sägeband entfernen, die Schwungradabdeckung des Sägebands öffnen und das alte Sägeband aus den Schwungrädern und Führungsblöcken herausnehmen.

- Bringen Sie das neue Sägeband an, indem Sie es zuerst zwischen die Bandführungen und dann auf die Lauffläche der Schwungräder legen. Achten Sie hierbei insbesondere auf die Ausrichtung der Sägezähne.

- Spannen Sie das Sägeband und vergewissern Sie sich, dass es exakt auf den Schwungrädern sitzt.

- Bringen Sie das bewegliche Endstück der Führungsschiene und den Schwungrad-Schutz unter Verwendung der entsprechenden Knöpfe an. Vergewissern Sie sich, dass der Sicherheits-Mikroschalter aktiviert ist, da die Maschine ansonsten bei Wiederherstellung der elektrischen Verbindung nicht startet.

7.4 Das Sägeband an die Laufräder anpassen



1. Lösen Sie die Sechskantschraubenmuttern A, B und C.

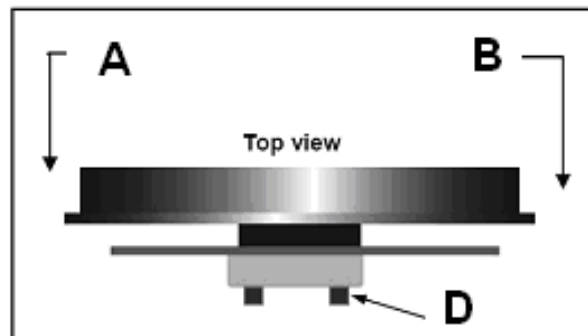
2. Verwenden Sie für Feststellschraube D einen Inbusschlüssel, um die Neigung des Laufrads anzupassen.

- Ein Drehen der Feststellschraube (Set screw) D im Uhrzeigersinn bewirkt das sich das Laufrad neigt und somit das Sägeband näher an den Flansch herankommt.

- Ein Drehen der Feststellschraube D entgegen dem Uhrzeigersinn bewirkt das sich das Laufrad so neigt, dass sich das Sägeband vom Flansch entfernt.

Wenn das Sägeband zu weit läuft, löst es sich.

Nach der Anpassung, müssen die Sechskantschraubenmuttern in folgender Reihenfolge befestigt werden: A, B und C.

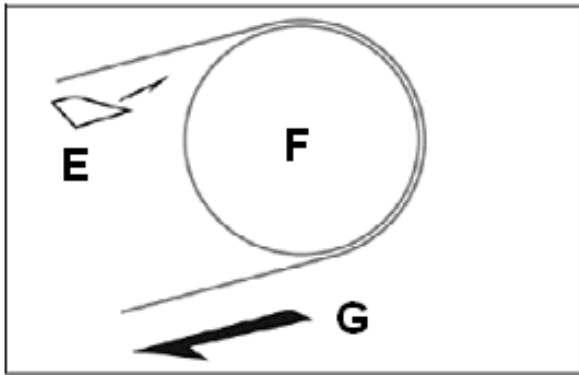


A- Eine Neigung in diese Richtung bewirkt, dass das Sägeband auf den Flansch zuläuft.

B- Eine Neigung in diese Richtung bewirkt, dass das Sägeband sich von dem Flansch entfernt.

D- Feststellschraube

Prüfung der Sägebandanpassung



E- Papier

F- Laufrad

G- Sägeerichtung

Nehmen Sie ein Stück Papier E und schieben Sie es zwischen Sägeband und Laufrad F, während es läuft.

- Wird das Papier zerschnitten, dann ist das Sägeband zu nah am Flansch. Nochmals anpassen.

- Entfernt sich das Sägeband vom Flansch, bitte erneut anpassen. Bitte nochmals anpassen.

WARNUNG: Bitte verwenden Sie immer Sägebänder mit den in diesem Handbuch angegebenen Maßen und für welche die Sägebandführungs-Köpfe eingestellt sind. Ansonsten folgen Sie im Kapitel "Beschreibung des Arbeitsgangs" Abschnitt Inbetriebnahme.

8. Routine und Sonderwartungen

DIE WARTUNGSARBEITEN SIND UNTEN AUFGEListET UND IN TÄGLICHE; WÖCHENTLICHE; MONATLICHE UND HALBJÄHRliche INTERVAlle UNTERTEILT. SOLLTEN DIE FOLGENDEN VORGÄNGE VERNACHLÄSSIGT WERDEN, WIRD SICH DIE MASCHINE VORZEITIG ABNUTZEN UND ZUDEM EINE SCHLECHTE LEISTUNG ERBRINGEN.

8.1 Tägliche Wartung

- Allgemeines Säubern der Maschine um angesammelte Sägespäne zu entfernen.
- Das Abflussloch für schmierfähige Kühlmittel reinigen, um zu überschüssige Flüssigkeit vermeiden.
- Schmierfähiges Kühlmittel auffüllen.
- Sägeband auf Abnutzungserscheinungen überprüfen.
- Den Sägebügel in oberste Position bringen und das Sägeband teilweise entspannen um unnütze Streckspannung zu vermeiden.
- Überprüfung der Funktionstüchtigkeit von Schutz- und Nothalt-Vorrichtungen.

8.2 Wöchentliche Wartung

- Gründliches Reinigen der Maschine um Sägespäne zu beseitigen, insbesondere vom Schmiermitteltank.
- Pumpe aus ihrem Gehäuse entfernen, Reinigung des Ansaugfilters und des Ansaugbereichs.
- Reinigung des Filters des Pumpen-Ansaugtrichters und des Ansaugbereichs.
- Benutzen Sie Druckluft um die Sägeführungen zu reinigen (Führungslager und Abflussloch des schmierfähigen Kühlmittels).
- Reinigung von Schwungrad-Gehäuse und Sägeband-Gleitflächen des Schwungrads.

8.3 Monatliche Wartung

- Prüfen, ob die Laufrad-Schrauben des Motors fest angezogen sind.
- Prüfen, ob die Führungslager des Sägebands im Kopfbereich einwandfrei arbeiten.
- Prüfen, ob die Schrauben von Getriebemotor, Pumpe und Unfallschutzvorrichtungen fest angezogen sind.

8.4 Halbjährliche Wartung

- Durchgangsprüfung des potentiellen Schutzschalters der Ausrüstung.

8.5 Wartung sonstiger Maschinenteile

Der Schneckenantrieb befindet sich auf der Maschine und ist laut Hersteller wartungsfrei.

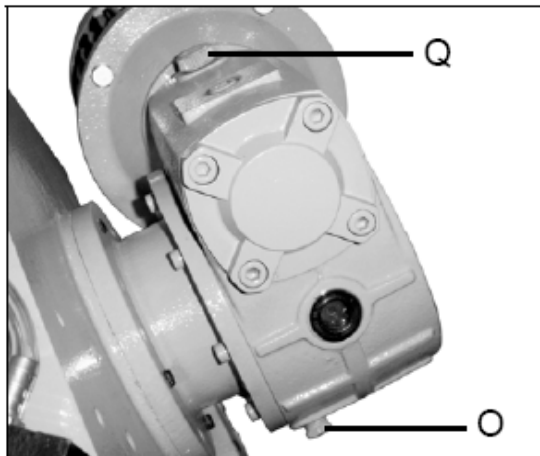
8.6 Öle für das schmierfähige Kühlmittel

Verwenden Sie das biologisch abbaubare Kühlschmiermittel Art.: 9176. DER MINIMALE PROZENTSATZ VON ÖL IN WASSER GELÖST SOLLTE 8 - 10 % BETRAGEN.

8.7 Altöl-Entsorgung

Die Entsorgung dieser Produkte unterliegt strengen Vorschriften. Bitte beachten Sie Kapitel "ABMESSUNGEN FÜR DEN MASCHINENTRANSPORT, MONTAGE" Abschnitt Demontage.

8.8 Das Getriebe



Das Getriebe benötigt einen regelmäßigen Ölwechsel. Das Öl muss bei einer neuen Maschine nach 6 Monaten und danach jedes Jahr gewechselt werden.

Vor Wechsel des Getriebeöls sollten Sie die Maschine von der Stromversorgung trennen.

- Den Sägearm senkrecht stellen.
- Lösen Sie die Sechskantschraube (O) und setzen Sie die Abflussöffnung (O) frei, um Getriebeöl abzulassen.
- Setzen Sie die Schraube (O) wieder ein, wenn das Öl vollständig abgelassen ist.
- Den Sägearm wieder in die Waagerechte bringen.
- Füllen Sie ca. 3 Liter Getriebeöl durch das Loch der Entlüftungsschraube (Q) in das Getriebe ein.

Das Öl sollte SHELL-Getriebeöl oder Mobile-Getriebeöl Nr. 90 entsprechen. Verwenden Sie das Art.: 100381.

Sonderwartung



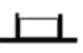
Die Sonderwartung muss von fachkundigem Personal durchgeführt werden. Wir empfehlen Ihnen, sich an Ihren nächstgelegenen Händler und/oder Importeur zu wenden. Der Wiedereinsatz von Schutz- und Sicherheitsvorrichtungen und -geräten (des Reduktionsstücks), der Motor, die Motorenpumpe und andere elektronische Komponenten benötigen ebenfalls eine Sonderwartung.

9. Technische Daten

9.1 Tabelle der Zerspanleistung und technische Details

SX-823DGI




Schnittkapazität

			
90°	227mm	220mm	260x110mm
45°	150mm	145mm	200x125mm
60°	90mm	85mm	
45°(L)	110mm	110mm	160x110mm

Bandmotor	1.1kW
Durchmesser Schwungrad	295mm
Sägebandabmessung	27x0,9x2460mm
Schnittgeschwindigkeit	20~85 m/min
Öffnung Schraubstock	260mm
Neigung Sägearm	40°
Höhe Aufspanntisch	900mm
Gewicht	280 kg

SX-827DGI

Schnittkapazität

			
90°	270mm	260mm	350x220mm
45°	240mm	220mm	240x160mm
60°	160mm	150mm	
45°(L)	210mm	180mm	180x180mm

Bandmotor	1.5kW
Durchmesser Schwungrad	380mm
Sägebandabmessung	27x0,9x3160mm
Schnittgeschwindigkeit	20~85 m/min
Öffnung Schraubstock	355mm
Neigung Sägearm	40°
Höhe Aufspanntisch	900mm
Gewicht	360 kg

9.2 Schallemission

Schalldruckpegel (nach EN 11202):

Leerlauf	LpA 71,0 dB(A)
Bearbeitung	LpA 83,8 dB(A)



Die angegebenen Werte sind Emissionspegel und sind nicht notwendigerweise Pegel für sicheres Arbeiten. Sie sollen dem Anwender eine Abschätzung der Gefährdung und des Risikos ermöglichen.

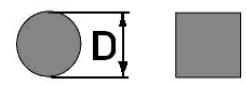

10. Wahl des Sägebandes

Wählen Sie eine Zahnung, die dem zu bearbeitenden Werkstück angepasst ist. Optimalerweise sollten jederzeit mindestens 3 Zähne gleichzeitig im Eingriff sein.

Die Wahl der Zahnung sollte nicht feiner als nötig ausfallen, da durch gleichzeitiges Einwirken zu vieler Zähne auf das Werkstück die Schnittgeschwindigkeit verringert wird und sich dadurch das Sägeband schneller abnützt und die Sägeschnitte krumm und nicht parallel ausfallen.

Die nachstehende Tabelle gibt die annähernde Zahnung der Sägebänder in Bezug auf die Materialdicke an. Für weitere Fragen wenden Sie sich bitte an Ihren Sägebandhändler.

	
S mm	 T / "
< 3	18
2 - 5	10/14
4 - 8	8/12
6 - 12	6/10
8 - 15	5/8

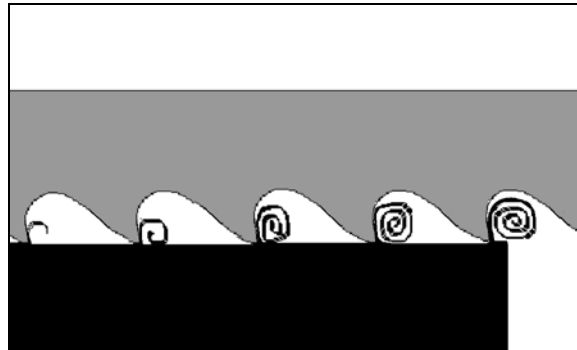
	
D mm	 T / "
< 30	10/14
20 - 50	8/12
25 - 60	6/10
35 - 80	5/8
50 - 100	4/6
80 - 150	3/4
>120	2/3

Bemerkung

Die 10/14 „ Zahnung ergibt ein gutes Schnittergebnis für dünnwandige Rohre und Profile.

Die Wahl der Zahnung (d.h. die Anzahl Zähne pro Zoll) muß so getroffen werden, dass immer mindestens 3 Zähne gleichzeitig im Einsatz sind.

Zum Zerspanen von großen Querschnitten ist eine grobe Zahnteilung ("T") erforderlich um die großen Späne aufzunehmen.



Wahl der Schnittgeschwindigkeit:

Als allgemeine Regel gilt, je härter das Material desto langsamer die Schnittgeschwindigkeit.

20 m/min

Für hochlegierten Stahl und Lagerbronzen.

30-50 m/min

Für niedriglegierten Stahl, Hartmessing oder Bronze.

60 - 85 m/min

Für Weichmessing, Aluminium und Kunststoffe.

Sägeband – Schmiermittel:

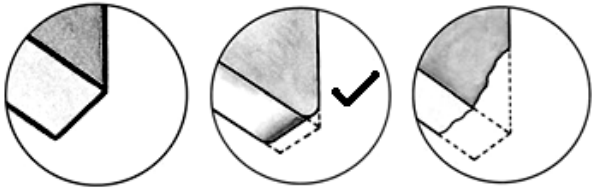
Die Lebensdauer des Sägebandes kann massiv erhöht werden, wenn Sie dieses mit dem Stickwachs Art.100103 schmieren.

ACHTUNG

Einige Werkstoffe, wie z.B. Rostfreier Stahl oder Aluminium bedürfen spezifischer Öle.

Einschneiden des Sägebandes:

Ein nicht sofort voll belastetes Sägeband hält wesentlich länger.



Führen Sie für 10 Minuten die Schnitte mit stark reduziertem Schnittdruck aus (Schneidkantenverrundung).

Danach den Schnittdruck langsam auf normale Werte steigern.

Schnittdruck Wahl:

Die Form der Sägespäne ist ein gutes Maß für den richtigen Schnittdruck.

Richtig:
Lose gerollte Späne



Falls die Späne dünn oder pulverförmig sind steigern Sie den Schnittdruck.

Falls die Späne verbrannt sind reduzieren Sie die Schnittgeschwindigkeit und den Schnittdruck.

10.1 Struktur des Sägebandes

Am häufigsten werden Bimetall-Sägebänder verwendet. Sie bestehen aus einer Siliziumstahl-Sägebandverstärkung und einer lasergeschweißten Schneide aus Schnellstahl (HSS). Die Bestände sind in M2, M42 und M51 klassifiziert und unterscheiden sich durch unterschiedliche Härtegrade. Die Härtegrade ergeben sich durch einen zunehmenden Prozentsatz an Cobalt (Cc) und Molybdän (Mo) in den Metalllegierungen.

10.2 Ausführungen von Sägebändern

Sie unterscheiden sich hauptsächlich in ihren Konstruktionsmerkmalen.

Form und Schnittwinkel der Zahnung, Abstand:

NORMALEN ZAHNS: 0° Winkel und gleichbleibender Abstand.



Gebräuchlichste Form für Quer- und Schrägschnitte von massiven kleinen und mittleren Profilen oder Rohren, in beschichtetem Baustahl und Grauguss oder gewöhnlichem Metall.

ZAHN MIT POSITIVEM SPANWINKEL: 9° - 10° positiver Spanwinkel und gleichbleibender Abstand.



Insbesondere für Quer- und Schrägschnitte in massive Abschnitte oder Große Rohre und vor allen Dingen für alle härteren Materialien (hochlegierter Stahl, Edelstahl, spezielle Bronze und geschmiedetes Roheisen).

KOMBINIERTER ZAHN: Abstand variiert zwischen Zahn und demzufolge auch eine variierenden Zahngröße und Hakenzahnentiefe. Der Abstand wechselt zwischen den Zähnen, wodurch ein glatterer, leiserer Schnitt entsteht sowie eine längere Lebensdauer des Sägebandes entsteht, da es zu weniger Vibrationen kommt.



Ein weiterer Vorteil den die Benutzung dieser Art von Sägebändern bietet, ist dass es möglich ist, mit nur einem Sägeband eine große Bandbreite an verschiedenen Materialien (Größe, Art) zu verarbeiten.

KOMBINIERTER ZAHN: 9° - 10° positiver Spanwinkel.



Diese Sägeband-Ausführung ist am besten für das Schneiden von Profilstäben und großen, dicken Rohren sowie für das Schneiden von massiven Stäben bei Maximal-Laufleistung geeignet. Mit den Abständen 3-4 und 4-6 erhältlich.

Zahnsatz:

Durch geschränkte Zähne, die sich aus dem Span des Sägekörpers biegen, kommt es im Werkstück zu einem breiten Schnitt.



SATZ NORMALER ODER SPANWINKEL-ZÄHNE:

Schneidzähne, die nach links und rechts gehen und von einem geraden Zahn abgewechselt werden.



Verwendbar für Materialien, die mehr als 5 mm messen. Wird für das Schneiden von Stahl, Gussteilen und harten Materialien, die nicht aus Eisen bestehen, benutzt.

WELLEN-SATZ: Sägezahnsatz in glatten Wellen.



Man assoziiert diesen Satz mit sehr feinen Zähnen. Er wird hauptsächlich für das Schneiden von Rohren und dünnen Profilstäben (1 bis 3 mm) verwendet.

ALTERNATIV-SATZ (IN GRUPPEN): Gruppen von Schneidzähnen, die nach links und rechts gehen und von einem geraden Zahn abgewechselt werden.



Man assoziiert diesen Satz mit sehr feinen Zähnen. Er wird bei sehr dünnem Material verwendet (unter 1 mm).

ALTERNATIV-SATZ (EINZELZÄHNE): Schneidzähne, die nach rechts und links gehen.

Dieser Satz wird für das Schneiden von weichen Materialien, die nicht aus Eisen bestehen, Plastik und Holz verwendet.



10.2 Werkstoffe und Kenndaten

STAHLARTEN						KENN DATEN		
USE	I UNI	D DIN	F AF NOR	GB SB	USA AISI- SAE	Hardne ss BRINEL L HB	Hardness ROCKWE LL HB	R=N/mm ²
Baustahl	Fe360 Fe430 Fe510	St37 St44 St52	E24 E28 E36	---- 43 50	---- ---- ----	116 148 180	67 80 88	360÷480 430÷560 510÷660
Stahl Unlegiert	C20 C40 C50 C60	CK20 CK40 CK50 CK60	XC20 XC42H1 ---- XC55	060 A 20 060 A 40 ---- 060 A 62	1020 1040 1050 1060	198 198 202 202	93 93 94 94	540÷690 700÷840 760÷900 830÷980
Federstahl	50CrV4 60SiCr8	50CrV4 60SiCr7	50CV40 ----	735 A 50 ----	6150 9262	207 224	95 98	1140÷133 0 1220÷140 0
Legierter Stahl zum Härten, Vergüten und Nitrierhärten	35CrMo4 39NiCrMo4 41CrAlMo7	34CrMo4 36CrNiMo4 41CrAlMo7	35CD4 39NCD4 40CADG 12	708 A 37 ---- 905 M 39	4135 9840 ----	220 228 232	98 99 100	780÷930 880÷1080 930÷1130
Legierter Stahl mit Härtenschicht	18NiCrMo7 20NiCrMo2	---- 21NiCrMo2	20NCD7 20NCD2	En 325 805 H 20	4320 4315	232 224	100 98	760÷1030 690÷980
Legierter Stahl für Lager	100Cr6	100Cr6	100C6	534 A 99	52100	207	95	690÷980
Werkzeug stahl	52NiCrMoKU C100KU X210Cr13KU 58CrMo1713	56NiCrMoV7C10 OK C100W1 X210Cr12 ----	---- ---- Z200C12 Y60SC7	---- BS 1 BD2- BD3 ----	---- S-1 D6-D3 S5	244 212 252 244	102 96 103 102	800÷1030 710÷980 820÷1060 800÷1030
Edelstahl	X12Cr13 X5CrNi1810 X8CrNi1910 X8CrNiMo17 13	4001 4301 ---- 4401	Z5CN18. 09 ---- Z6CDN17 .12	304 C 12 ---- 316 S 16	410 304 ---- 316	202 202 202 202	94 94 94 94	670÷885 590÷665 540÷685 490÷685
Kupferlegier ungen Sondermes sing Bronze	Aluminium-Kupferlegierung G-CuAl11Fe4Ni4 UNI 5275 Sondermangan/Silizium-Messing G-CuZn36Si1Pb1 UNI5038 Manganbronze SAE43-SAE430 Phosphorbronze G-CuSn12 UNI 7013/2a					220 140 120 100	98 77 69 56.5	620÷685 375÷440 320÷410 265÷314
Gusseisen	Grauguss G25 Kugelgraphit-Gusseisen GS600 Temperguss W40-05					212 232 222	96 100 98	245 600 420

11. Umweltschutz

Schützen Sie die Umwelt!

Ihr Gerät enthält mehrere unterschiedliche, wieder verwertbare Werkstoffe.
Bitte entsorgen Sie es nur an einer spezialisierten Entsorgungsstelle.


12. Lieferbares Zubehör

Siehe die Preisliste.


13. Fehlersuche


In diesem Kapitel finden Sie eine Auflistung der häufigsten Störfälle und Fehlfunktionen, die beim Betrieb der Maschine auftreten können inkl. möglicher Lösungsvorschläge.

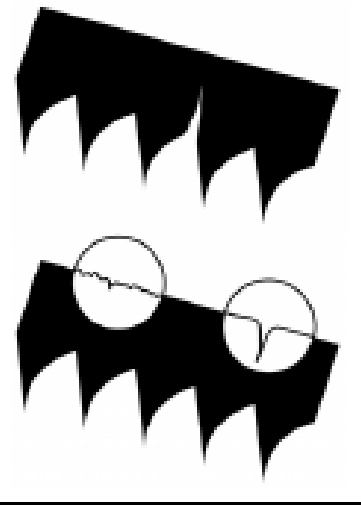
12.1 Fehlerdiagnose durch Sägeband- und Schnittanalyse

<u>STÖRFALL</u>	<u>MÖGLICHE URSACHE</u>	<u>LÖSUNG</u>
<p>ZAHNBRUCH</p> 	<p>Zu schneller Vorschub</p> <p>Falsche Schnittgeschwindigkeit</p> <p>Falsche Zahnung</p> <p>Späne die an den Zähnen und in den Zwischenräumen hängen bleiben bzw. Material das verklebt</p> <p>Schadhafte oder zu hartes Material</p> <p>Das Werkstück findet keinen Halt im Schraubstock.</p> <p>Das Sägeband steckt im Material fest.</p> <p>Schneiden eines scharfen oder</p>	<p>Vermindern Sie die Vorschubgeschwindigkeit, indem Sie weniger Druck anwenden. Justieren Sie die Bremsvorrichtung.</p> <p>Ändern Sie die Geschwindigkeit und/oder die Art des Sägebands. Beachten Sie das Kapitel „Materialklassifizierung und Wahl des Sägebands“, Abschnitt <i>Tabelle zur Wahl des Sägebands gemäß Schnitt- und Vorschubgeschwindigkeit.</i></p> <p>Wählen Sie das passende Sägeband. Sie auch Kapitel „Materialklassifizierung und Wahl des Sägebands“.</p> <p>Überprüfen Sie, ob die Ablauföffnungen für das Kühlmittel an der Sägebandführung verklebt sind. Außerdem sollte ein ausreichender Kühlmittelfluss gegeben sein, um die Entfernung der Späne vom Sägeband zu erleichtern.</p> <p>An der Materialoberfläche können sich Rost oder andere Verunreinigungen abgelagert haben, die das Material härter als das Sägeband selbst machen können. Die Verhärtung kann direkt zu Beginn des Schnitts auftreten, oder aber Regionen betreffen, die weiter hinten oder innerhalb des Materials liegen. Die Verhärtungen können durch Produktionsmittel wie Gießsand oder Schweißabfall etc. entstehen.</p> <p>Diese Materialien bitte nur im Ausnahmefall verwenden. Bitte sein Sie dann äußerst vorsichtig und säubern und entfernen Sie schnellstmöglich alle Unreinheiten.</p> <p>Überprüfen Sie das Einspannen des Werkstücks.</p> <p>Verringern Sie den Vorschub und den Schneidedruck.</p> <p>Gehen Sie äußerst vorsichtig an</p>

<u>STÖRFALL</u>	<u>MÖGLICHE URSACHE</u>	<u>LÖSUNG</u>
	<p>unregelmäßigen Profilstabs. Sägeband von geringer Qualität</p> <p>Ein vorher abgebrochener Zahn steckt noch Schnitt</p> <p>Der Schnitt wird in einer vorherigen Kerbe fortgesetzt</p> <p>Vibrationen</p> <p>Falsche Verzahnung oder Form</p> <p>Schmier- oder Kühlmittel reichen nicht aus oder eine falsche Flüssigkeit wird verwendet</p> <p>Die Zähne sind entgegen der Sägerichtung ausgerichtet.</p>	<p>die Arbeit.</p> <p>Verwenden Sie ein Sägeband von guter Qualität.</p> <p>Entfernen Sie alle verbliebenen Teile.</p> <p>Drehen Sie das Werkstück, sodass Sie an anderer Stelle schneiden können.</p> <p>Überprüfen Sie das Einspannen des Werkstücks.</p> <p>Ersetzen Sie das Sägeband durch ein besser passendes. Siehe auch Kapitel „Materialklassifizierung und Wahl des Sägebands“, Abschnitt <i>Sägebandarten</i>. Passen Sie die Sägebandführungspuffer an.</p> <p>Überprüfen Sie den Füllstand im Tank.</p> <p>Verstärken Sie den Fluss des Schmiermittels/Kühlmittels. Überprüfen Sie, dass Abflussloch und Ablaufrohr nicht verstopft sind.</p> <p>Überprüfen Sie den Prozentsatz der Emulsion.</p> <p>Verändern Sie die Ausrichtung der Zähne.</p>

<u>STÖRFALL</u>	<u>MÖGLICHE URSACHE</u>	<u>LÖSUNG</u>
<p data-bbox="118 235 479 289">VORZEITIGE ABNUTZUNG DES SÄGEBANDS</p> 	<p data-bbox="561 235 850 289">Fehlerhaftes Einfahren des Sägebands</p> <p data-bbox="561 357 870 411">Die Zähne sind entgegen der Sägerichtung ausgerichtet.</p> <p data-bbox="561 420 899 449">Sägeband von geringer Qualität</p> <p data-bbox="561 487 799 516">Zu schneller Vorschub</p> <p data-bbox="561 634 896 663">Falsche Schnittgeschwindigkeit</p> <p data-bbox="561 873 854 928">Schadhaftes oder zu hartes Material</p> <p data-bbox="561 1440 909 1524">Schmier- oder Kühlmittel reichen nicht aus oder eine falsche Flüssigkeit wird verwendet</p>	<p data-bbox="984 235 1334 348">Siehe auch Kapitel „Materialklassifizierung und Wahl des Sägebands“, Abschnitt <i>Sägeband-Einfahren</i>.</p> <p data-bbox="984 357 1308 411">Verändern Sie die Ausrichtung der Zähne.</p> <p data-bbox="984 420 1299 474">Verwenden Sie ein Sägeband von guter Qualität.</p> <p data-bbox="984 487 1334 621">Vermindern Sie die Vorschubgeschwindigkeit, indem Sie weniger Druck anwenden. Justieren Sie die Bremsvorrichtung.</p> <p data-bbox="984 634 1334 688">Ändern Sie die Geschwindigkeit und/oder die Art des Sägebands.</p> <p data-bbox="984 697 1334 865">Siehe auch Kapitel „Materialklassifizierung und Wahl des Sägebands“, Abschnitt <i>Tabelle zur Wahl des Sägebands gemäß Schnitt- und Vorschubgeschwindigkeit</i></p> <p data-bbox="984 873 1344 1251">An der Materialoberfläche können sich Rost oder andere Verunreinigungen abgelagert haben, die das Material härter als das Sägeband selbst machen können. Die Verhärtung kann direkt zu Beginn des Schnitts auftreten, oder aber Regionen betreffen, die weiter hinten oder innerhalb des Materials liegen. Die Verhärtungen können durch Produktionsmittel wie Gießsand oder Schweißabfall etc. entstehen.</p> <p data-bbox="984 1264 1338 1423">Diese Materialien bitte nur im Ausnahmefall verwenden. Bitte seien Sie dann äußerst vorsichtig und säubern und entfernen Sie schnellstmöglich alle Unreinheiten.</p> <p data-bbox="984 1440 1328 1495">Überprüfen Sie den Füllstand im Tank.</p> <p data-bbox="984 1503 1305 1558">Verstärken Sie den Fluss des Schmiermittels/Kühlmittels.</p> <p data-bbox="984 1558 1305 1633">Überprüfen Sie, dass Kühlmitteldüse und Ablaufrohr nicht verstopft sind.</p> <p data-bbox="984 1642 1328 1696">Überprüfen Sie den Prozentsatz der Emulsion.</p>


<u>STÖRFALL</u>	<u>MÖGLICHE URSACHE</u>	<u>LÖSUNG</u>
<p data-bbox="118 268 342 296">SÄGEBANDBRUCH</p> 	<p data-bbox="560 268 813 327">Sägeband wurde falsch geschweißt</p> <p data-bbox="560 695 800 722">Zu schneller Vorschub</p> <p data-bbox="560 842 894 869">Falsche Schnittgeschwindigkeit</p> <p data-bbox="560 936 748 963">Falsche Zahnung</p> <p data-bbox="560 1108 915 1167">Das Werkstück findet keinen Halt im Schraubstock.</p> <p data-bbox="560 1234 902 1293">Das Sägeband berührt das Material vor Beginn des Sägens</p> <p data-bbox="560 1297 639 1325">Lösung</p>	<p data-bbox="984 268 1341 684">Das Schweißen des Sägebands besitzt die höchste Priorität. Die aufeinandertreffenden Oberflächen müssen perfekt zusammenpassen. Nach dem Schweißvorgang dürfen keine Einschlüsse oder Blasen vorhanden sein; das geschweißte Stück muss absolut glatt und eben sein. Die Oberfläche muss gleichmäßig dick und ohne Wölbungen sein. Ansonsten könnte ein Gleiten zwischen die Sägebandführungspuffer Beulen oder sofortigen Bruch bedeuten.</p> <p data-bbox="984 695 1333 831">Vermindern Sie die Vorschubgeschwindigkeit, indem Sie weniger Druck anwenden. Justieren Sie die Bremsvorrichtung.</p> <p data-bbox="984 842 1328 926">Ändern Sie die Schnittgeschwindigkeit und/oder die Art des Sägebands.</p> <p data-bbox="984 936 1338 1100">Beachten Sie das Kapitel „Materialklassifizierung und Wahl des Sägebands“, Abschnitt <i>Tabelle zur Wahl des Sägebands gemäß Schnitt- und Vorschubgeschwindigkeit.</i></p> <p data-bbox="984 1110 1338 1220">Wählen Sie das passende Sägeband. Siehe auch Kapitel „Materialklassifizierung und Wahl des Sägebands“.</p> <p data-bbox="984 1230 1325 1289">Überprüfen Sie das Einspannen des Werkstücks.</p> <p data-bbox="984 1299 1344 1404">Zu Beginn des Arbeitsgangs denken Sie bitte immer daran den Sägearm zu heben, bevor Sie den Sägemotor einschalten.</p>

<p><u>STÖRFALL</u></p> 	<p><u>MÖGLICHE URSACHE</u></p> <p>Die Sägebandführungen werden nicht eingestellt oder sind wegen mangelnder Wartung schmutzig</p> <p>Der Führungsschlitten hat einen zu großen Abstand zum Werkstück</p> <p>Falsche Positionierung des Sägebands auf den Schwungrädern</p> <p>Schmier- oder Kühlmittel reichen nicht aus oder eine falsche Flüssigkeit wird verwendet</p>	<p><u>LÖSUNG</u></p> <p>Überprüfen Sie den Abstand zwischen den Führungen (siehe „Maschinenanpassung“, Abschnitt <i>Sägebandführungsschlitten</i>): durch sehr präzises Führen kann es zu Rissen und Brüchen der Zähne kommen. Vorsicht bei der Reinigung.</p> <p>Bringen Sie den Kopf so nah wie möglich an das Werkstück heran, sodass nur noch der Sägeabschnitt, der am Schnitt beteiligt ist frei ist. So werden Abweichungen verhindert, die sich zu stark auf das Sägeband auswirken würden.</p> <p>Die Rückseite des Sägebands scheuert aufgrund deformierter oder schlecht geschweißter Sägebänder (abgeschrägt) gegen die Stütze. Dies kann Risse und ein Wölbung des Rückenprofils hervorrufen.</p> <p>Überprüfen Sie den Füllstand im Tank.</p> <p>Verstärken Sie den Fluss des Schmiermittels/Kühlmittels. Überprüfen Sie, dass Abflussloch und Ablaufrohr nicht verstopft sind.</p> <p>Überprüfen Sie den Prozentsatz der Emulsion.</p>
<p>BÄNDER MIT SCHLIEREN ODER ÄTZUNGEN</p>	<p>Beschädigte oder angeschlagene Sägebandführungen</p> <p>Zu stramme oder lose Sägebandführungen.</p>	<p>Bitte ersetzen.</p> <p>Bitte anpassen (siehe Kapitel „Maschinenanpassung“, Abschnitt <i>Sägebandführung</i>).</p>
<p>SCHIEFE SCHNITTE</p>	<p>Das Sägeband ist nicht parallel zum Tisch angebracht</p> <p>Das Sägeband ist nicht rechtwinklig, da es zwischen den Bandführungen zu viel Spiel gibt und die Sägebandführungsschiene schlecht angepasst ist.</p> <p>Zu schneller Vorschub</p>	<p>Überprüfen Sie die Befestigung von der Sägebandführungen am Maschinenarm; sie darf nicht zu locker angebracht sein. Passen Sie die Schiene senkrecht an, bringen Sie die Winkel in eine Linie und passen Sie ggf. die Anschlagsschrauben des Winkelschnitts an.</p> <p>Überprüfen Sie und passen Sie die Sägebandführungsschiene senkrecht an, stellen Sie sicher dass genügend Spielraum zur Seite gelassen wird (siehe Kapitel „Maschinenanpassung“, Abschnitt <i>Sägebandführung</i>).</p> <p>Vorschubgeschwindigkeit, indem Sie weniger Druck anwenden. Justieren Sie die</p>

<u>STÖRFALL</u>	<u>MÖGLICHE URSACHE</u>	<u>LÖSUNG</u>
	<p>Verschlissenes Sägeband</p> <p>Falsche Zahnung</p>	<p>Bremsvorrichtung.</p> <p>Bringen Sie es so nah wie möglich an das Werkstück heran, sodass nur noch der Sägeabschnitt, der am Schnitt beteiligt, ist frei ist. So werden Abweichungen verhindert, die sich zu stark auf das Sägeband auswirken würden.</p> <p>Bitte ersetzen. Wenn Sie ein Sägeband mit zu vielen Zähnen benutzen, versuchen Sie eines mit weniger Zähnen (siehe Kapitel „Materialklassifizierung und Sägebandwahl“, Abschnitt <i>Sägebandarten</i>).</p>

<u>STÖRFALL</u>	<u>MÖGLICHE URSACHE</u>	<u>LÖSUNG</u>
	<p>Abgebrochene Zähne</p> <p>Schmier- oder Kühlmittel reichen nicht aus oder eine falsche Flüssigkeit wird verwendet</p>	<p>Eine unregelmäßige Arbeitsweise des Sägebands durch fehlende Zähne kann zu schiefen Schnitten führen. Überprüfen Sie das Sägeband und ersetzen Sie es nötigenfalls.</p> <p>Überprüfen Sie den Füllstand im Tank.</p> <p>Verstärken Sie den Fluss des Schmiermittels/Kühlmittels. Überprüfen Sie, dass Abflussloch und Ablaufrohr nicht verstopft sind. Überprüfen Sie den <i>Prozentsatz</i> der Emulsion.</p>

<u>FEHLERHAFTER SCHNITT</u>	<u>MÖGLICHE URSACHE</u>	<u>LÖSUNG</u>
	<p>Verschlossene Schwungräder Gehäuse der Schwungräder ist voller Späne</p>	<p>Die Stütze und der Führungsflansch des Sägebands sind so verschlissen, dass man die korrekte Ausrichtung des Sägebands nicht mehr sicherstellen kann. Dies führt zu fehlerhaften Schnitten; einem Rollen des Sägebands und die Spurzeichnung kann sich verengen. Bitte ersetzen. Mit Druckluft reinigen.</p>

<u>VERSCHMIERTE SCHNITTOBERFLÄCHE</u>	<u>MÖGLICHE URSACHE</u>	<u>LÖSUNG</u>
	<p>Zu schneller Vorschub</p> <p>Sägeband von geringer Qualität</p> <p>Verschlissenes Sägeband oder eingerissene und/oder abgebrochene Zähne</p> <p>Falsche Zahnung</p>	<p>Vermindern Sie die Vorschubgeschwindigkeit, indem Sie weniger Druck anwenden. Justieren Sie die Bremsvorrichtung.</p> <p>Verwenden Sie ein Sägeband von guter Qualität.</p> <p>Bitte ersetzen.</p> <p>Das benutzte Sägeband hat wahrscheinlich zu große Zähne, versuchen Sie eines mit mehr Zähnen (siehe Kapitel</p>

<u>STÖRFALL</u>	<u>MÖGLICHE URSACHE</u>	<u>LÖSUNG</u>
	<p>Der Führungsschlitten hat einen zu großen Abstand zum Werkstück</p> <p>Schmier- oder Kühlmittel reichen nicht aus oder eine falsche Flüssigkeit wird verwendet</p>	<p>„Materialklassifizierung und Sägebandwahl“, Abschnitt Sägebandarten).</p> <p>Bringen Sie es so nah wie möglich an das Werkstück heran, sodass nur noch der Sägeabschnitt, der am Schnitt beteiligt, ist frei ist. So werden Abweichungen verhindert, die sich zu stark auf das Sägeband auswirken würden.</p> <p>Überprüfen Sie den Füllstand im Tank.</p> <p>Verstärken Sie den Fluss des Schmiermittels/Kühlmittels.</p> <p>Überprüfen Sie, dass Abflussloch und Ablaufrohr nicht verstopft sind.</p> <p>Überprüfen Sie den Prozentsatz der Emulsion.</p>
GERÄUSCHE DER FÜHRUNGSBLÖCKE	Angeschlagene Führungsschiene, verschlissene oder beschädigte Sägebandführungen	Schmutz und/oder Späne befinden sich zwischen Sägeband und Führungsschiene. Bitte ersetzen. Bitte ersetzen.

FR - FRANCAIS

Mode d'emploi

Cher client,

Nous vous remercions de la confiance que vous nous portez avec l'achat de votre nouvelle machine. Ce manuel a été préparé pour l'opérateur **de la scie à ruban pour métaux SX-823DGVI / SX-827DGVI**. Son but, mis à part le fonctionnement de la machine, est de contribuer à la sécurité par l'application des procédés corrects d'utilisation et de maintenance. Avant de mettre l'appareil en marche, lire les consignes de sécurité et de maintenance dans leur intégralité. Pour obtenir une longévité et fiabilité maximales de votre scie, et pour contribuer à l'usage sûr de la machine, veuillez lire attentivement ce mode d'emploi et suivre les instructions.

Table des Matières

1. Déclaration de conformité
2. Prestations de garantie
3. Sécurité
4. Dimensions de la machine, Transport, Installation, Démontage
5. Les pièces fonctionnelles de la machine
6. Conseils pour l'utilisation de votre scie à ruban
7. Régler votre machine
8. Entretien ordinaire et spécial
9. Caractéristiques techniques
10. Choix du ruban
11. Protection de l'environnement
12. Accessoires
13. Dépannage

1. Déclaration de conformité

Par le présent et sous notre responsabilité exclusive, nous déclarons que ce produit satisfait aux normes conformément aux lignes directrices indiquées page 2. Le constructeur a tenu compte des normes** suivantes.

2. Prestations de garantie

Le vendeur garantit que le produit livré est exempt de défauts de matériel et de fabrication. La présente garantie ne s'applique pas aux défauts résultant d'une utilisation directe ou indirecte incorrecte, de l'inattention, d'un accident, d'une réparation, d'une maintenance ou d'un nettoyage insuffisant, ou encore de l'usure normale.

Il est possible de faire valoir des prétentions en garantie dans les 12 mois suivant la date de la vente (date de la facture). Toute autre prétention est exclue.

La présente garantie comprend toutes les obligations de garantie incombant au vendeur et remplace toutes les déclarations et conventions antérieures en termes de garanties.

Le délai de garantie s'applique pour une durée d'exploitation de huit heures par jour. Au-delà, le délai de garantie diminue proportionnellement au dépassement, mais pas en deçà de trois mois.

Le renvoi d'une marchandise faisant l'objet d'une réclamation requiert l'accord préalable exprès du vendeur et s'effectue aux frais et aux risques de l'acheteur.

Les prestations de garantie détaillées figurent dans les Conditions générales (CG). Ces dernières sont disponibles sur www.jettools.com ou peuvent être envoyées par la poste sur demande.

Le vendeur se réserve le droit de modifier à tout moment le produit et les accessoires.

3. Sécurité

3.1 Utilisation conforme

La machine est conçue pour le sciage de métaux et de matières plastiques à coupe rapide.

Le sciage d'autres matériaux est interdit et ne peut être effectué que dans des cas spéciaux et après accord du fabricant de la machine.

Ne jamais couper du magnésium- Danger d'incendie!

Pour l'usinage, la pièce doit se laisser poser et serrer sans problème.

L'utilisation conforme implique le strict respect des instructions de service et de maintenance indiquées dans ce manuel.

La machine doit être exclusivement utilisée par des personnes familiarisées avec le fonctionnement, la maintenance et la remise en état, et qui sont informées des dangers correspondants.

L'âge minimum requis par la loi est à respecter.

La machine ne doit être utilisée que si elle est techniquement en parfait état.

N'utiliser la machine que si tous les dispositifs de sécurité et de protection sont en place.

En plus des directives de sécurité contenues dans ce mode d'emploi et des consignes de sécurité en vigueur dans votre pays, il faut respecter les règles générales concernant l'utilisation des machines pour le travail des métaux.

Toute utilisation sortant de ce cadre est considérée comme non-conforme et le fabricant décline toute responsabilité, qui est dans ce cas rejetée exclusivement sur l'utilisateur.

3.2 Consignes de sécurité

L'utilisation non-conforme d'une machine pour le travail des métaux peut être très dangereuse. C'est pourquoi vous devez respecter scrupuleusement les consignes de lutte contre les accidents et les instructions suivantes.

Lire attentivement et comprendre ce mode d'emploi avant de monter ou d'utiliser votre appareil.

Conserver à proximité de la machine tous les documents fournis avec l'outillage (dans une pochette en plastique, à l'abri de la poussière, de l'huile et de l'humidité) et veiller à joindre cette documentation si vous cédez l'appareil.

Ne pas effectuer de modifications à la machine. Utiliser les accessoires recommandés, des accessoires incorrects peuvent être dangereux.

Chaque jour avant d'utiliser la machine, contrôler les dispositifs de protection et le fonctionnement impeccable.

En cas de défauts à la machine ou aux dispositifs de protection avertir les personnes compétentes et ne pas utiliser la machine. Déconnecter la machine du réseau.

Avant de mettre la machine en marche, retirer cravate, bagues, montre ou autres bijoux et retrousser les manches jusqu'aux coudes. Enlever tous vêtements flottants et nouer les cheveux longs.

Porter des chaussures de sécurité, surtout pas de tenue de loisirs ou de sandales.

Porter des équipements de sécurité personnels pour travailler à la machine.

Ne pas porter **de gants**.

Pour manœuvrer les lames porter des gants appropriés.

Porter des lunettes de protection pendant le travail.

Placer la machine de sorte à laisser un espace suffisant pour la manœuvre et le guidage des pièces à usiner.

Veiller à un éclairage suffisant.

Placer la machine sur un sol stable et plat.

S'assurer que le câble d'alimentation ne gêne pas le travail ni ne risque de faire trébucher l'opérateur.

Conserver le sol autour de la machine propre, sans déchets, huile ou graisse.

Ne jamais mettre la main dans la machine en marche.

Prêter grande attention au travail et rester concentré.

Eviter toute position corporelle anormale. Veiller à une position stable et garder un bon équilibre à tout moment.

Ne pas travailler sous l'influence de drogues, d'alcool ou de médicaments.

Eloigner toutes personnes incompetentes de la machine, surtout les enfants.

Ne jamais laisser la machine en marche sans surveillance. Arrêter la machine avant de quitter la zone de travail.

Ne pas mettre la machine à proximité de liquides ou de gaz inflammables, respecter les consignes de lutte contre les incendies, par ex le lieu et l'utilisation des extincteurs.

Préserver la machine de l'humidité et ne jamais l'exposer à la pluie.

Pour le sciage de pièces difficiles à manœuvrer, utiliser un support.

Abaisser les guides-lames le plus près possible à la pièce à usiner.

Ne pas enlever les copeaux et les pièces usinées avant que la machine ne soit à l'arrêt.

N'utiliser que des outils bien affûtés.

Avant de commencer le travail, contrôler que la pièce est bien assurée.

Se tenir aux spécifications concernant la dimension maximale ou minimale de la pièce à usiner.

Ne pas se mettre sur la machine.

Ne jamais mettre la machine en service sans les dispositifs de protection – risque de blessures graves!

Tous travaux de branchement et de réparation sur l'installation électrique doivent être exécutés uniquement par un électricien qualifié.

Remplacer immédiatement tout câble endommagé ou usé.

Faire tous les travaux de réglage ou de maintenance seulement après avoir débranché la machine du réseau.

3.3 Risques

Même en respectant les directives et les consignes de sécurité les risques suivants existent.

Risque de blessures par la lame libre dans la zone de travail.

Danger par rupture de la lame.

Danger de pièces éjectées.

Risque de nuisances par copeaux et bruit.

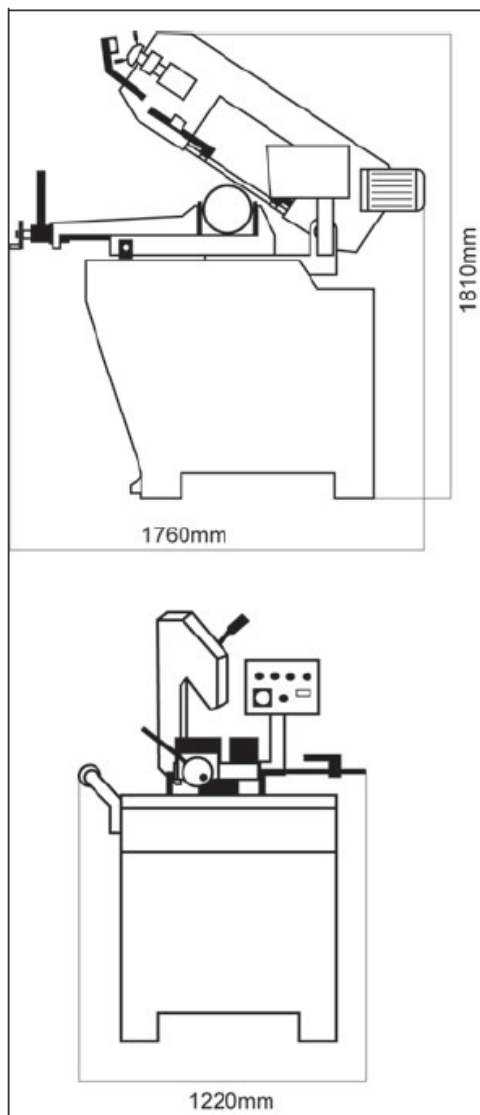
Porter équipements de sécurité personnels tels que lunettes, cache-visage pour travailler à la machine!

Danger par câble électrique endommagé, usé ou mal branché.

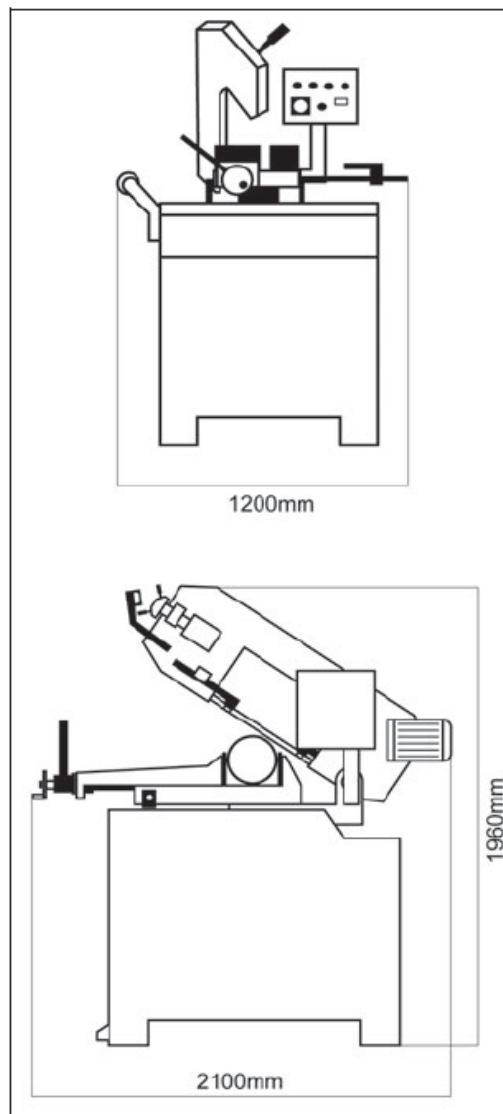
4. Dimensions de la machine, transport, installation et démontage

4.1 Dimensions de la machine

SX-823DGI



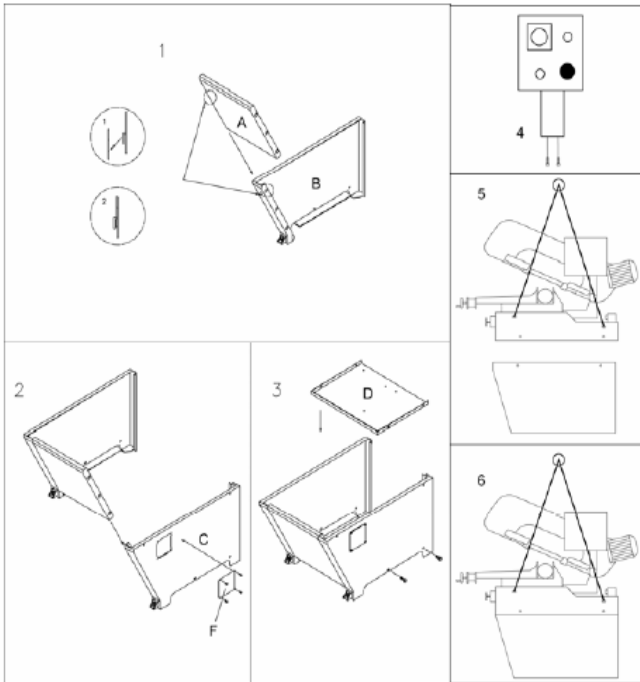
SX-827DGI



4.2 Montage de la scie sur le socle de la machine

- Assembler les plaques A, B et C en insérant le tenon dans la mortaise comme illustrent le cercle 1 et 2 dans le schéma.
- Fixer la plaque inférieure D dans les plaques assemblées A, B et C en utilisant les vis à tête fournies.
- Relier la plaque F à la plaque C avec les vis à tête fournies.
- Fixer le boîtier électrique au moyen des deux vis à tête fournies.

- Monter l'unité de sciage sur le socle de la machine comme indiqué dans la figure.
- Fixer l'unité de sciage sur le socle au moyen des vis à tête fournies.

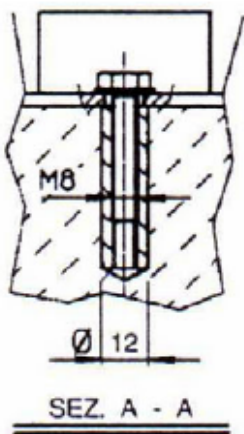


Si vous devez déplacer la machine dans son emballage d'origine, utilisez un chariot élévateur à fourche ou levez-la à l'aide des sangles comme illustré dans la figure.

4.3 Exigences minimales pour l'installation de la machine

- La tension et la fréquence du courant doivent répondre aux exigences relatives au moteur de la machine.
- La température ambiante doit se situer entre -10°C et +50°C.
- L'humidité relative ne doit pas dépasser 90%.

4.4 Ancrer la machine au sol



Placer la machine sur un sol en béton ferme, en respectant une distance de 800 mm entre le dos de la machine et le mur. L'ancrer au sol comme montré sur la figure en utilisant des vis et des éléments d'expansion ou des tirants enfoncés dans le béton. Veiller à ce qu'elle soit à l'horizontale.

4.5 Instructions de montage: pièces détachées et accessoires

Monter les composants fournis:

SX-823DGV1 SX-827DGV1

Détail 1 Monter la butée de coupe

Détail 2 Monter la servante à rouleau et l'aligner sur la table de l'étau.

4.6 Désactiver la machine

- Il est conseillé de procéder comme suit lorsque la scie à ruban n'est pas utilisée pendant une longue période:

- 1) Retirer la fiche secteur du panneau d'alimentation électrique.
- 2) Détendre la lame.
- 3) Relâcher le ressort de rappel.
- 4) Vider le réservoir de liquide de refroidissement.
- 5) Nettoyer et graisser la machine avec soin.
- 6) Couvrir la machine si nécessaire.

4.7 Démontage (à cause de l'obsolescence et / ou de l'usure)

Règles générales

Lorsque la machine est hors d'usage et / ou mis au rebut, démonter l'appareil et procéder en fonction du type et de la composition de pièces décrits ci-dessous:

- 1) Les pièces en fonte ou en matériaux ferreux, composées uniquement de métal, sont des matières premières secondaires et peuvent être reprises par une fonderie après avoir retiré les contenus (indiqués dans le point 3).
- 2) Les composants électriques, y compris le câble et les matériels électroniques (cartes magnétiques, etc), entrent dans la catégorie de déchets ménagers et sont assimilés à des déchets urbains, selon les lois locales, étatiques ou fédérales, et peuvent être pris en charge par le service public des déchets.
- 3) Les huiles minérales, synthétiques et / ou mixtes usagées, ainsi que les huiles et graisses émulsionnées sont considérées comme des déchets dangereux ou spéciaux et doivent être collectées, transportées et éliminées par le service de traitement des déchets spéciaux.

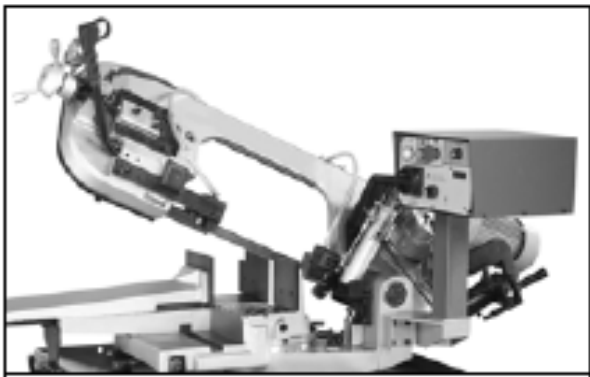
REMARQUE: Les normes et la législation sur les déchets sont en évolution constante et soustraient au changement. Il est conseillé à l'utilisateur de se tenir au courant à tout moment de la réglementation concernant l'élimination des déchets qui peuvent différer de celle décrite ci-dessus.

5 Les pièces fonctionnelles de la machine

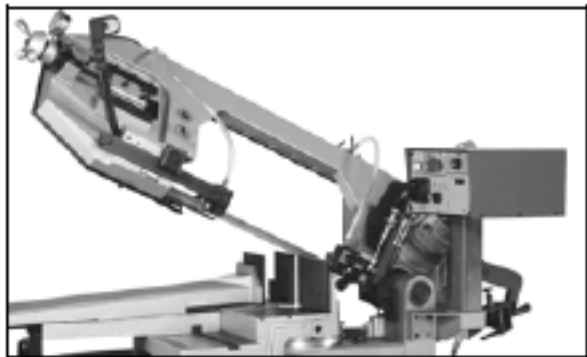
5.1 L'archet

Il s'agit de la partie de la machine constituée d'organes en mouvement (moteur ou moteur à vitesse variable, volants d'inertie), serrage et guidage (guides lame réglable, blocs de guidage de la lame) de l'outil.

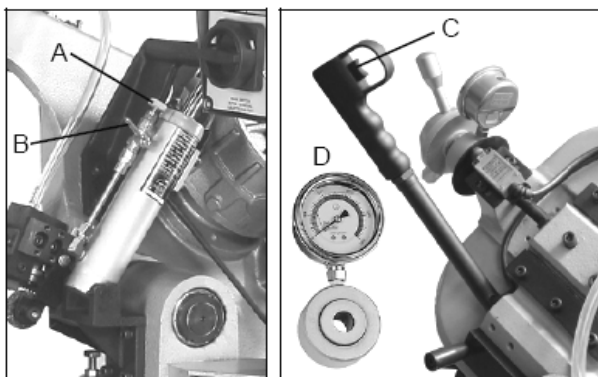
SX-823DGVI



SX-827DGVI



5.2 Eléments de commande

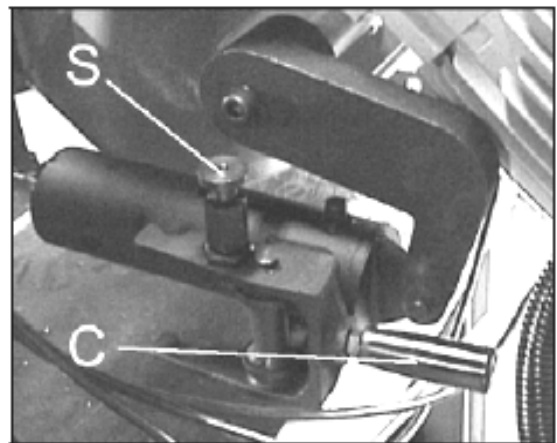


- A. Régulateur de débit hydraulique
- B. Valve de réglage hydraulique
- C. Gâchette
- D. Jauge de tension de lame

C1. Position « Manuel »

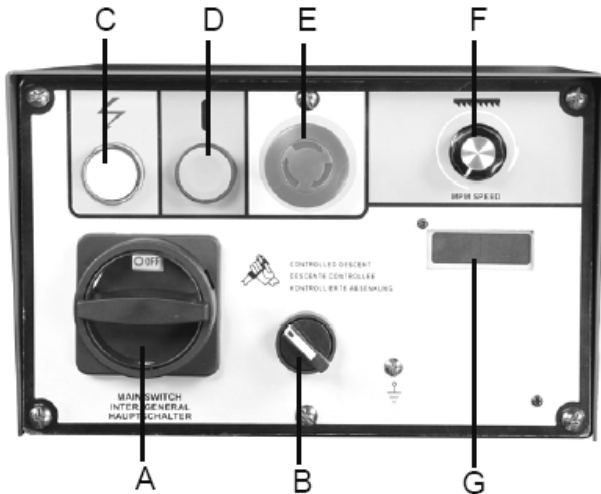


C2. Position « Automatique »



- C. Manette
- S. Bouton-poussoir

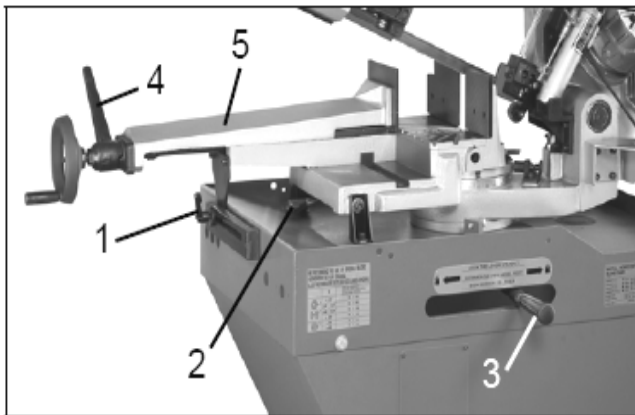
SX-823DGVI / SX-827DGVI



- A. Interrupteur principal
- B. Sélecteur « Manuel / Automatique »
- C. Voyant
- D. Bouton de démarrage automatique
- E. Bouton d'arrêt d'urgence
- F. Bouton de réglage de la vitesse
- G. Afficheur de vitesse

5.3 Réglage de l'étau

- Aucun réglage particulier n'est requis ; en cas de jeu extrême du guide coulissant, serrer un peu la vis.



Pour déplacer l'étau dans les deux directions, les mâchoires de l'étau doit être desserrées à deux endroits.

- Desserrer le support en tournant la manette (1) dans le sens antihoraire.
- Libérer l'étau en plaçant le levier (2) vers la gauche.
- Il est désormais possible de déplacer l'étau (5) vers la droite (7) ou vers la gauche (6) en le poussant avec une main posée sur l'étau et l'autre sur la manette (1).
- Une fois qu'il est à l'endroit voulu, bloquez-le en déplaçant le levier (2) vers la droite.

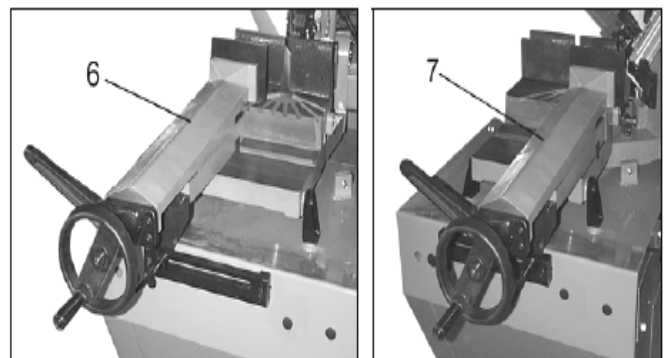
- Bloquer le support (1) en tournant la manette dans le sens horaire.

Charger la pièce à usiner.

- Placer la pièce à usiner entre les mâchoires.

- Approcher les mâchoires de la pièce à usiner au moyen du volant de sorte que celles-là soient en contact avec le matériau. Serrer la pièce à usiner et avec le levier (4). Appuyer sur le bouton de démarrage automatique (D). A la fin de la coupe, desserrer l'étau en soulevant le levier (4). Les mâchoires de l'étau s'ouvrent dès que le levier (4) est desserré. Cela permet de serrer rapidement les pièces de taille identique.

5.4 Réglage de l'angle de coupe



Coupes d'onglet

- A droite, les coupes d'onglet sont possibles jusqu'à 60 degrés. Pour cela, la mâchoire d'étau doit être positionnée à gauche (6).

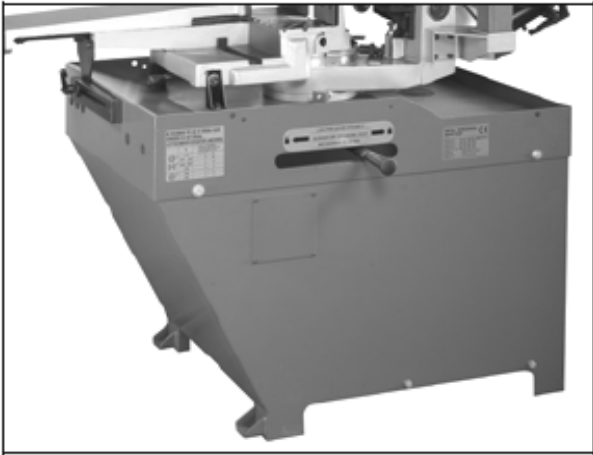
- A gauche, les coupes d'onglet sont possibles jusqu'à 45 degrés. Pour cela, la mâchoire d'étau doit être positionnée à droite (7).

- Desserrer le levier (3) et tourner l'archet jusqu'au bout. Vérifier ensuite si l'index est placé sur 45 degrés. Sinon, régler l'angle désiré au moyen des vis à tête.

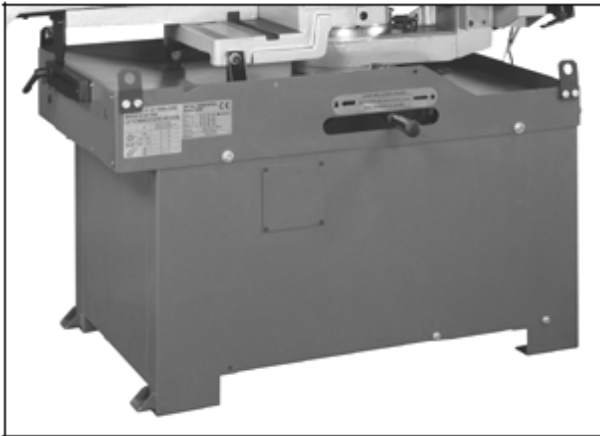
5.5 La base

- Il s'agit d'une structure soutenant l'ARCHET (le bras tournant pour la coupe progressive et le système de blocage), l'ETAU, la BUTEE et la SERVANTE soutenant la pièce à scier. Le socle de la machine contient également le RESERVOIR pour le réfrigérant et la POMPE.

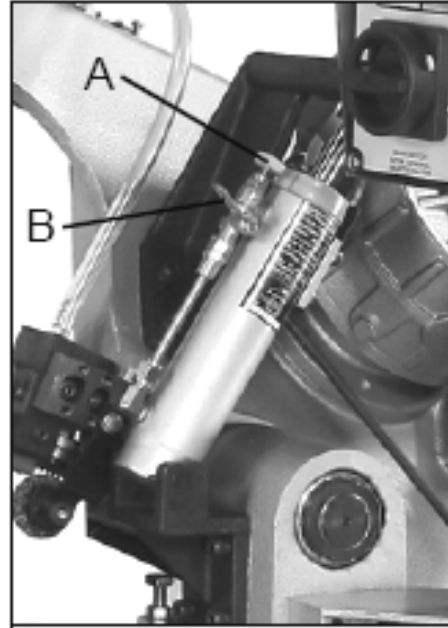
SX-823 DGV1



SX-827DGV1



5.6 Dispositif limitant la descente de l'archet

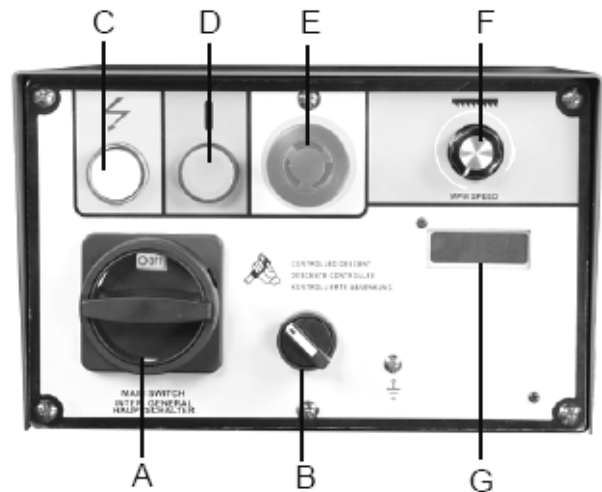


Le vérin hydraulique convient parfaitement à la coupe de profilés de faible épaisseur ou en acier inoxydable, qui nécessite une descente permanente et en conséquence un bon degré de rendement de la lame de scie durant toute la phase de travail.

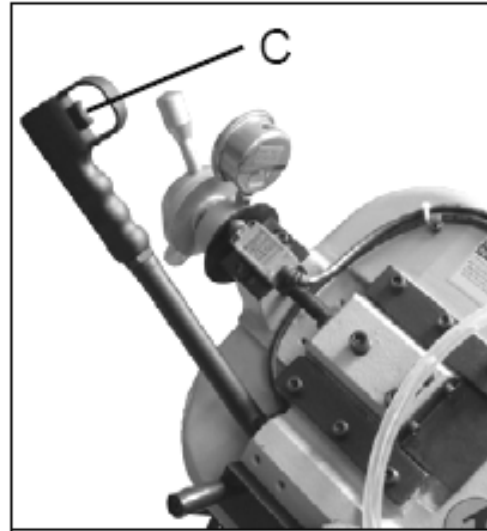
En réglant le régulateur de débit (A), il est possible d'adapter ce dispositif aux exigences et utilisations les plus diverses. Le niveau (B) est interrupteur marche / arrêt pour contrôler le débit hydraulique.

5.7 Le cycle de l'opération

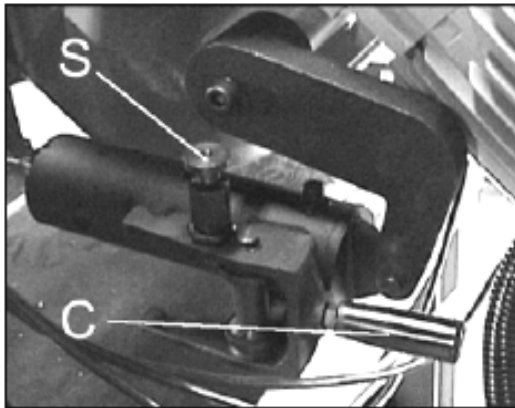
Avant de commencer à travailler, tous les éléments principaux de la machine doivent être réglés de façon optimale.



C1 Déclenchement manuel par moyen de gâchette



C2 Mode de coupe automatique



- Appuyer sur la gâchette (C) pour démarrer l'opération.
- Rétablir la vitesse du ruban.

- Pour couper des tubes aux parois minces, réduire la vitesse de descente de l'archet en réglant le régulateur de débit (A).

- Appuyer sur le bouton d'arrêt d'urgence (E) pour arrêter toutes les fonctions. Pour libérer le bouton d'arrêt d'urgence, tourner le bouton-champignon (E) dans le sens horaire. Le bouton remontera rapidement et la coupe pourra continuer.

- En général, commencer les coupes en tournant doucement le régulateur de débit hydraulique (A) de 2 à 3 dans le sens antihoraire pour régler la vitesse de descente de l'archet. Si l'archet descend trop vite, tourner le régulateur de débit hydraulique (B) jusqu'au bout dans le sens horaire pour arrêter sa descente. Un archet qui descend trop vite peut engendrer le blocage de lame dans la pièce à usiner et interrompre le fonctionnement de la machine. Pour arrêter immédiatement toutes les opérations de la machine, appuyer sur les boutons d'arrêt d'urgence dont (E) est situé sur le panneau et (K) sur le socle de la machine pour le modèle SX-823DG.

Étapes:

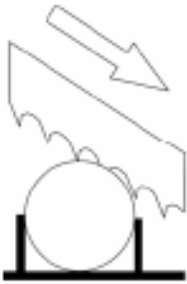
A. Déclenchement manuel par moyen de gâchette

- Soulever le bras de sciage.
- Fermer le régulateur de débit hydraulique situé sur le cylindre (B) (5.6) en tournant la valve jusqu'au bout dans le sens horaire.
- Lever le bouton à ressort (S) pour libérer la broche de son trou. Cela permettra de libérer la manette (C). Mettre la manette sur la position « Manuel » (C1). Lever le bouton à ressort (S) et introduire la broche dans son trou.
- Choisir le symbole manette au moyen du sélecteur « Manuel/Automatique » (B).
- Régler la vitesse de coupe en tournant le bouton de réglage de vitesse (F).
- Mettre l'interrupteur principal (A) sur ON (MARCHE).
- S'assurer que le voyant (C) est allumé.
- Poser la pièce à scier et la serrer correctement.
- Ouvrir entièrement le régulateur de débit hydraulique (B) (5.6) en tournant la valve jusqu'au bout dans le sens antihoraire.

B. Mode de coupe automatique

- Soulever le bras de sciage.
- Fermer le régulateur de débit hydraulique (A) en tournant la valve jusqu'au bout dans le sens horaire.
- Lever le bouton à ressort (S) pour libérer la broche de son trou. Cela permettra de libérer la manette (C). Déplacer la manette sur la position « Automatique » (C2). Lever le bouton à ressort (S) et introduire la broche dans son trou.
- Choisir le mode « Automatique » au moyen du sélecteur « Manuel/Automatique » (B).
- Régler la vitesse de coupe en tournant le bouton de réglage de vitesse (F).
- Mettre l'interrupteur principal (A) sur ON (MARCHE).

- S'assurer que le voyant (C) est allumé.
- Poser la pièce à scier et la serrer correctement.
- Démarrer la machine en appuyant sur le bouton de démarrage (D). S'assurer que la lame tourne dans le bon sens.
- Baisser légèrement l'archet pour éliminer les bulles d'air dans le vérin hydraulique.
- Régler le régulateur de débit hydraulique (A) en tournant légèrement la valve dans le sens antihoraire de façon à ce que l'archet descende et commence à scier.
- Appuyer sur le bouton d'arrêt d'urgence (E) pour arrêter toutes les fonctions. Pour libérer le bouton d'arrêt d'urgence, tourner le bouton (E) dans le sens horaire. Lorsque le bouton remonte, la coupe peut recommencer.
- En général, commencer les coupes en tournant doucement le régulateur de débit hydraulique (A) de 2 à 3 dans le sens antihoraire pour régler la vitesse de descente de l'archet. Si l'archet descend trop vite, tourner le régulateur de débit hydraulique (B) (3.6) jusqu'au bout dans le sens horaire pour arrêter sa descente. Un archet qui descend trop vite peut engendrer le blocage de lame dans la pièce à usiner et interrompre le fonctionnement de la machine. Dans ce cas, appuyer sur les boutons d'arrêt d'urgence (E) pour arrêter immédiatement toutes les opérations de la machine.



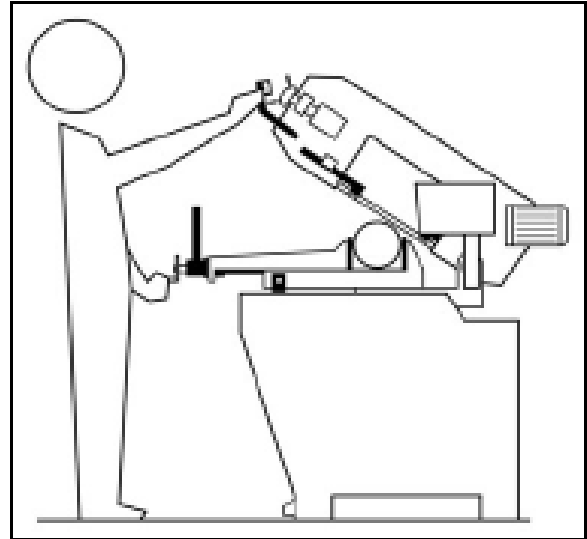
Sens de coupe de la lame de scie

6. Conseils pour l'utilisation de votre scie à ruban

6.1 Recommandations et conseils pour utiliser la machine

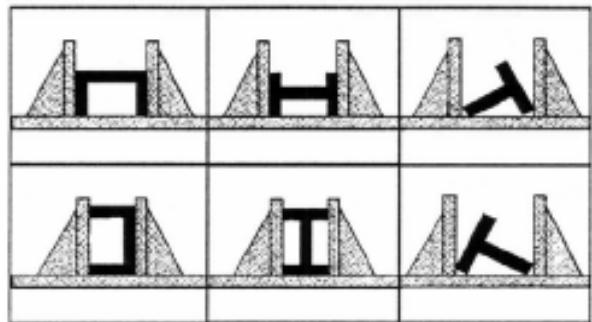
La machine a été conçue pour couper des matériaux de construction en métal, de formes et de profils divers, requis dans les ateliers, les ateliers de tournage et pour des constructions mécaniques en général.

Un seul opérateur est nécessaire pour manœuvrer la machine. Il doit rester debout comme le montre l'image.



- Avant d'effectuer une coupe, veiller à ce que la pièce soit serrée fermement dans l'étau et que l'extrémité de celle-ci soit soutenue de façon appropriée.

- Les chiffres figurés ci-dessous sont les exemples qui montrent comment, en tenant compte de la capacité de coupe de la machine, serrer proprement des barres de section différente pour assurer une bonne performance et durabilité de la lame.



- Ne pas utiliser des lames de dimensions différentes de celles indiquées dans les spécifications de la machine.

- Si la lame de scie est bloquée pendant la coupe, libérer immédiatement le bouton de marche, éteindre la machine, ouvrir lentement l'étau, retirer la pièce et vérifier si la lame de scie ou les dents ne sont pas endommagées. Remplacer la lame si ses dents sont cassées.

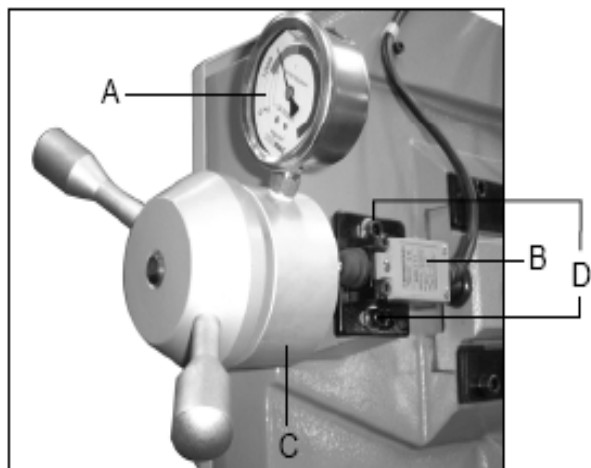
- Se renseigner auprès du revendeur avant de procéder à la réparation de l'appareil.

7. Régler votre machine

7.1 Régler la tension du ruban

Pour assurer la tension idéale du ruban, tourner le volant de tension jusqu'à ce que l'aiguille soit correctement positionnée sur la jauge de tension (A).

La machine ne fonctionnera pas si le micro-interrupteur n'est pas correctement connecté au dispositif de tension (C).



Procéder comme suit lorsque la tension est correctement réglée, mais le micro-interrupteur (B) n'est pas connecté ou déclenché de manière appropriée.

- Desserrer les vis de réglage (D).
- Approcher le micro-interrupteur (B) au dispositif de tension (C). S'assurer que le piston est correctement rentré.
- Serrer les vis de fixation (D) pour fixer le micro-interrupteur (B) en place.

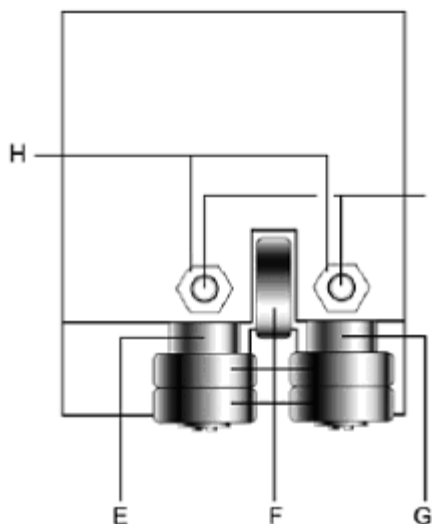
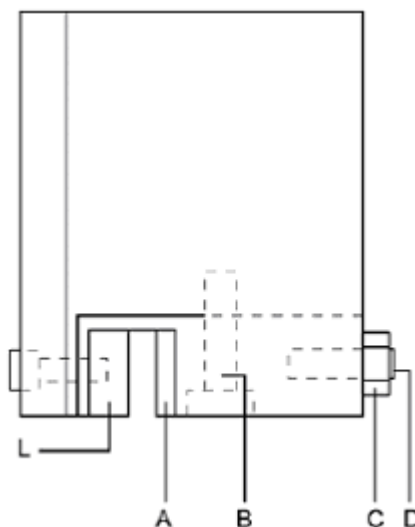
5.2 Régler le guide lame

- Débrancher la machine de la source d'alimentation.
- Desserrer la vis à six pans creux (A) à l'aide d'une clé hexagonale.
- Tenir la poignée (B) et coulisser le guide lame couissant de sorte que celui-ci soit aussi proche que possible du matériau sans pour autant perturber le bon fonctionnement de la coupe.
- Puis bloquer la vis à six pans creux (A).
- Rebrancher la machine à la source d'alimentation.



Blocs de guide lame

La lame de scie est guidée par des blocs de guidage réglables qui ont été réglés, pendant le contrôle, en fonction de l'épaisseur de la lame de scie avec un jeu minimal comme illustré dans la figure.



Lors du changement de lame, veiller à toujours utiliser des lames de scie de 0,9 mm d'épaisseur pour laquelle les blocs de guides lame ont été pré-réglés. En cas de lames de scie dentées de différentes épaisseurs, il est recommandé de procéder au réglage suivant :

- Desserrer l'écrou (C) et la vis (B). Puis desserrer la cheville (D) en élargissant le passage entre les blocs.
- Desserrer les écrous (H) et les chevilles (I) et faire tourner les broches (E - G) pour élargir le passage entre les supports (F).

- Pour monter une nouvelle lame : poser le bloc (A) sur la lame, desserrer les chevilles en laissant un jeu de 0,04 mm pour le glissement de la lame dentée, bloquer l'écrou et la vis (B), tourner les broches (E - G) jusqu'à ce que les supports soient en contact avec la lame comme indiqué dans la figure, puis fixer les chevilles (I) et l'écrou (H).

- S'assurer que le jeu entre la lame et la denture du haut du bloc (L) est de 0,2 à 0,3 mm minimum de large. Desserrer les vis fixant les blocs et régler en conséquence si nécessaire.

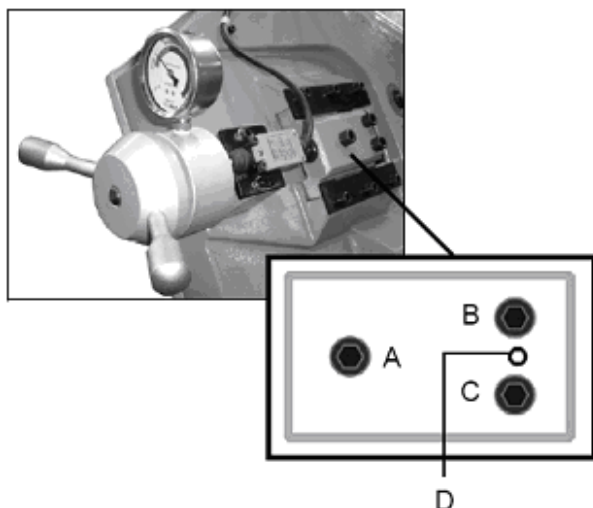
Débrancher toute alimentation et câble électrique avant d'effectuer les opérations suivantes.

7.3 Changer la lame

Pour changer la lame:

- Soulever l'archet.
- Desserrer la lame de scie au moyen du volant, retirer le couvercle amovible de la lame de scie, ouvrir les couvercles des volants et retirer l'ancienne lame de scie des volants et des blocs de guide lame.
- Placer la nouvelle lame en la posant d'abord entre les blocs de guidage et ensuite dans la voie des volants, en faisant particulièrement attention au sens de coupe des dents.
- Serrer la lame de scie et s'assurer qu'elle est parfaitement positionnée sur les volants.
- Remonter les couvercles de la lame de scie et des volants et les fixer avec les poignées correspondantes. S'assurer que le micro-interrupteur de sécurité est activé, sinon la machine ne démarrera pas même après l'avoir connectée.

7.4 Réglage du ruban par rapport aux volants



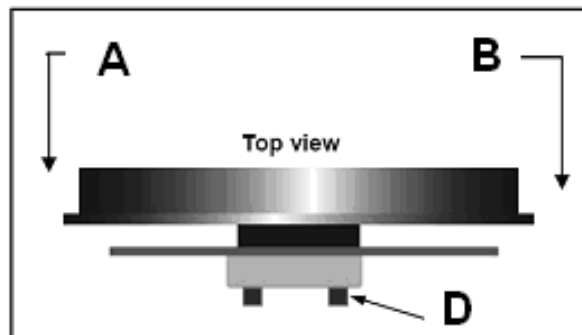
1. Desserrer les vis à tête hexagonale A, B et C.
2. Manœuvrer la vis sans tête D à l'aide d'une clé Allen pour régler l'inclinaison du volant.

- Incliner le volant en tournant la vis D dans le sens horaire de sorte que le ruban s'approche de l'épaulement du volant.

- Incliner le volant en tournant la vis D dans le sens antihoraire pour que le ruban s'écarte de l'épaulement du volant.

Si le ruban s'écarte trop loin, il sortira des volants.

Quand le réglage est terminé, serrer les vis dans cet ordre: A, B et C.

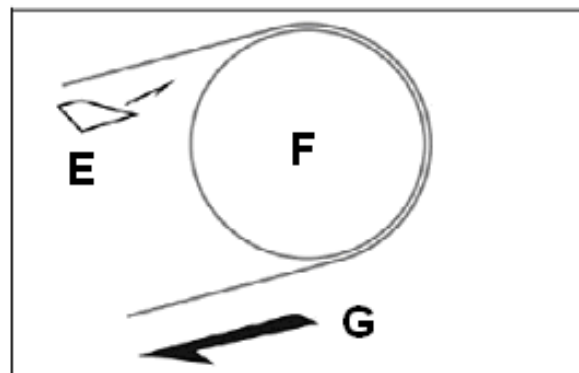


A- Une inclinaison dans ce sens engendra l'approche du ruban vers l'épaulement.

B- Une inclinaison dans ce sens engendra l'éloignement du ruban à l'égard de l'épaulement.

D- Vis sans tête

Vérifier le réglage du ruban



E- Papier

F- Volant

G- Sens du ruban

Faire glisser une bande de papier E entre le ruban et le volant F lorsque la machine est en cours d'exécution.

- Si le papier est coupé c'est que le ruban s'approche trop près de l'épaulement. Régler à nouveau.

- Si le ruban se déplace en sens opposé de l'épaulement. Alors régler à nouveau.

AVERTISSEMENT: Utiliser toujours les lames dont les dimensions sont les mêmes que celles spécifiées dans ce manuel et pour lesquelles les guides lame ont été installés. Voir, le cas échéant, le chapitre « Description du cycle d'opération » dans la section Mise en route.

8. Entretien ordinaire et spécial

Les travaux d'entretien figurant ci-dessous sont classés selon qu'ils sont quotidiens, hebdomadaires, mensuels et semestriels. Toute négligence à l'égard des opérations indiquées ci-dessous conduira à une usure prématurée et à une mauvaise performance de la machine.

8.1 Entretien quotidien

- Nettoyage général de la machine pour ôter les copeaux accumulés.
- Nettoyer le trou de vidange de l'huile de lubrification pour éviter l'excès de liquide.
- Faire le plein d'huile lubrifiante.
- Vérifier l'usure de la lame.
- Soulever l'archet et détendre partiellement le ruban pour lui épargner une tension inutile.
- Vérifier le bon état de fonctionnement des protecteurs et des boutons arrêts d'urgence.

8.2 Entretien hebdomadaire

- Nettoyage complet de la machine pour enlever les copeaux, surtout ceux installés dans le réservoir d'huile de coupe.
- Sortir le groupe de son corps, nettoyer le corps et le filtre d'aspiration.
- Nettoyer le filtre de la tête d'aspiration et la zone autour de celui-ci.
- Nettoyer les guides lame (les supports de guidage et le trou de vidange de l'huile lubrifiante) au moyen de l'air comprimé.
- Nettoyer le capot protecteur du ruban et les surfaces des volants sur lesquelles est placé le ruban.

8.3 Entretien mensuel

- Vérifier si les vis du volant sont bien serrées.
- Vérifier que les supports de guide lame sur les têtes sont en parfait état de marche.
- Vérifier le serrage des vis du moto-réducteur, du vérin et de la protection contre les accidents.

8.4 Entretien semestriel

- Test de continuité du circuit de la protection potentielle de l'équipement.

8.5 Entretien des autres pièces de la machine

- Le boîtier de l'engrenage à vis sans fin sur la machine ne nécessite aucun entretien conformément à la garantie du constructeur.

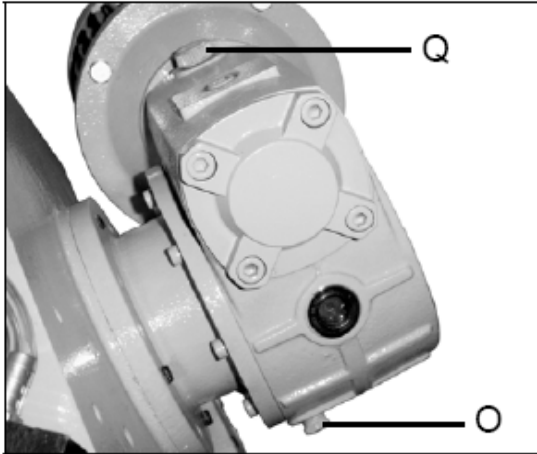
8.6 Huiles lubrifiantes

Compte tenu de la vaste gamme de produits sur le marché, l'utilisateur peut choisir le produit le plus adapté à ses besoins en prenant comme référence le type SHELL LUTEM OIL ECO. Le pourcentage minimal d'huile diluée dans l'eau est de 8 à 10%.

8.7 Élimination des huiles

L'élimination de ces produits est soumise à une réglementation stricte. Veuillez vous reporter au chapitre sur "**Dimensions de la machine Transport - Installation**", à la section du Démantèlement.

8.8 Le réducteur



Le réducteur nécessite un changement périodique de l'huile. Pour une nouvelle machine, il est nécessaire de changer l'huile au bout du 6e mois après sa mise en service et une fois par an par la suite.

Pour changer l'huile du réducteur.

- Débrancher la machine de la source d'alimentation.
- Lever l'archet et le maintenir en position verticale.
- Pour soutirer l'huile de transmission, retirer le bouchon de vidange (O) en desserrant la vis à six pans creux (Q).
- Remplacer la vis (O) quand la boîte est complètement vidée.
- Placer le bras de sciage en position horizontale.
- Remplir le réducteur d'environ 0,3 litre d'huile de transmission à travers le trou de la vis de purge (Q). Prendre comme référence l'huile SHELL du type huile de transmission ou huile de transmission automobile # 90.

Entretien spécial



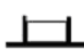
L'entretien spécial doit être effectué par un personnel qualifié. Nous vous conseillons de contacter votre revendeur et / ou importateur dans votre région. La remise en état des équipements de protection et celle des dispositifs de sécurité, du moteur, du moteur du groupe, et d'autres composants électriques nécessitent également une maintenance spéciale.

9. Caractéristiques techniques

9.1 Tableau de capacité de coupe et les détails techniques

SX-823DGV1




Capacité de coupe

			
90°	227mm	220mm	260x110mm
45°	150mm	145mm	200x125mm
60°	90mm	85mm	
45°(L)	110mm	110mm	160x110mm

Moteur électrique	1.1kW
Diamètre du volant	295mm
Dimensions de lame	27x0,9x2460mm
Vitesse du ruban	20~85 m/min
Ouverture de l'étau	260mm
Inclinaison de l'archet	40°
Hauteur de la table de travail	900mm
Poids de la machine	280 kg

SX-827DGV1

Capacité de coupe

			
90°	270mm	260mm	350x220mm
45°	240mm	220mm	240x160mm
60°	160mm	150mm	
45°(L)	210mm	180mm	180x180mm

Moteur électrique	1.5kW
Diamètre du volant	380mm
Dimensions de lame	27x0,9x3160mm
Vitesse du ruban	20~85 m/min
Ouverture de l'étau	355mm
Inclinaison de l'archet	40°
Hauteur de la table de travail	900mm
Poids de la machine	360 kg

9.2 Emission de bruit

Niveau de pression sonore (selon EN 11202):

Marche à vide	70,0 dB(A)
Usinage	87,8 dB(A)



Les indications données sont des niveaux de bruit et ne sont pas forcément les niveaux pour un travail sûr. Cette information est tout de même importante, ainsi l'utilisateur peut estimer les dangers et les risques possibles.

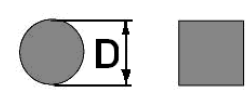

10. Sélection du ruban

Utiliser une denture adaptée à l'épaisseur du matériau à couper. A tout moment, trois dents au moins doivent être en contact avec la pièce (les dents de scie sinon seraient endommagées).

Afin d'obtenir une surface de coupe propre, la denture ne doit pas être choisie plus fine que nécessaire (si le nombre des dents, en contact avec la pièce, est trop élevé, la vitesse de coupe est ralentie, le ruban s'use plus vite et les traits de scie sont courbés et manquent de parallélisme).

Le tableau suivant donne les dentures approximatives des rubans en fonction de l'épaisseur du matériau. Votre fournisseur de rubans ou l'ingénieur des méthodes pourra vous conseiller d'avantage au sujet de la denture la plus appropriée aux pièces à couper.

	
S mm	 T / "
< 3	18
2 - 5	10/14
4 - 8	8/12
6 - 12	6/10
8 - 15	5/8

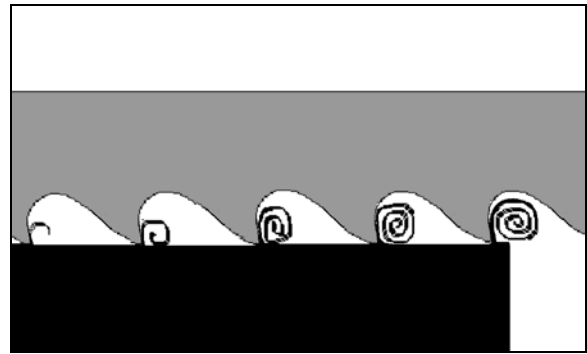
	
D mm	 T / "
< 30	10/14
20 - 50	8/12
25 - 60	6/10
35 - 80	5/8
50 - 100	4/6
80 - 150	3/4
>120	2/3

REMARQUE

La denture 10/14 (dents par pouce) donne en général de bonnes coupes avec les tubes et profilés en double-T ou I en fer sur des parois d'une épaisseur courante ou réduite.

Les matériaux à section rectangulaire doivent de préférence être attaqués par le côté étroit. Le choix de la denture (c'est-à-dire le nombre des dents par pouce) doit garantir que trois dents au moins sont simultanément en contact avec la pièce. Si le profil du côté étroit s'avère trop faible, c'est le côté large qui doit être placé face au ruban, et l'on choisira alors une denture de lame moins fine.

Il est nécessaire d'utiliser une denture grossière ("T") pour fraiser des grosses coupes transversales afin de pouvoir expulser les gros copeaux.



Choix de la vitesse de coupe

Appliquer la règle suivante : plus la matière est dure, moins la coupe doit être rapide.

20 m/min

Pour acier fortement allié et bronze à coussinets.

30-50 m/min

Pour acier faiblement allié, laiton dur ou bronze.

60-85 m/min

Pour laiton doux, aluminium et matières plastiques.

GRAISSAGE DU RUBAN

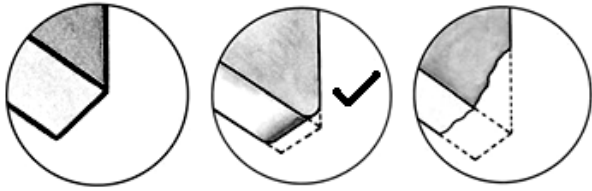
Pour une longue durée de vie du ruban, il est conseillé de graisser le ruban régulièrement avec une graisse de sciage pour métaux (Art. 100103).

ATTENTION

Certains matériaux tels que l'inox ou l'aluminium réclament des huiles spécifiques.

Rodage de lame

Une ruban qui n'est pas utilisée à plein régime dans les premiers instants, est opérationnelle plus longtemps.



Laisser tourner la ruban neuve à vide pendant 2 minutes environ, puis exécuter les premières coupes (10 minutes) avec une pression réduite.

Réglage pression de coupe

La forme des copeaux est un excellent indicateur d'une pression de coupe adéquate.



Conditions idéales:
Copeaux enroulés et lâches.

Si les copeaux sont fins ou brisés, il faut augmenter la pression de coupe.

Si les copeaux sont brûlés, il faut réduire la vitesse de coupe et réduire la pression.

10.1 Structure de lame

Les lames en bi-métal sont les plus couramment utilisées. Elles sont constituées d'une lame d'acier au silicium avec un tranchant recouvert d'acier rapide (AR) soudé au laser. Le type de stocks se divise en trois catégories, M2, M42, M51. Ils diffèrent les uns des autres en raison de leur dureté due à l'augmentation du pourcentage de Cobalt (Cc) et du molybdène (Mo) contenus dans l'alliage métallique.

10.2 Types de lame

Ils diffèrent essentiellement par leurs caractéristiques constructives, telles que:

- La forme et l'angle de coupe de la denture, le pas :

Denture régulière : Inclinaison à 0° et longueur constante.



C'est la forme la plus couramment utilisée pour effectuer une coupe transversale inclinée dans du plein en petites et moyennes sections ou de tubes, laminés en acier doux et en fonte grise ou en métal normal.

DENTURE À INCLINAISON POSITIVE: Inclinaison positive à $9^\circ - 10^\circ$ et longueur non-constante.



Usage particulier pour effectuer les coupes en travers ou inclinées avec les pleins ou les grands tubes, mais surtout avec les matériaux plus durs (aciers fortement alliés et inoxydables, bronze et fonte brute).

DENTURE COMBO : Denture dont le pas des dents varie des unes aux autres et, par conséquent, la taille des dents et la profondeur des orifices différent. Le pas variable des dents permet d'assurer une coupe plus lisse et plus silencieuse. Elle permet également de prolonger la durée de vie de la lame en réduisant les vibrations jusqu'à zéro.



Couper une large gamme de matériaux différents en taille et en type avec une seule lame.

DENTURE COMBO: Inclinaison positive à $9^\circ - 10^\circ$.



Ce type de lame est adaptée à découper, à la capacité maximum de la machine, les barres profilées, les grands tubes épais et les barres pleines. Pas disponibles: 3-4/4-6.

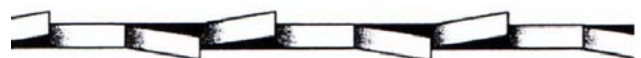
Avoyages:

Dents de scie inclinées vers les deux côtés de la scie, garantissant une coupe large de la pièce.



Denture régulière ou inclinée :

Ce type de denture a des dents droites et inclinées en alternance vers les côtés droit et gauche.



Il est généralement utilisé pour couper les pièces de dimensions supérieures à 5 mm, les matériaux en acier ou en fonte et des matériaux non ferreux mais durs.

Denture ondulée : Denture ondulée comme les mouvements de vagues en douceur.



Ce type de denture a des dents très fines et est principalement utilisé pour couper les tubes et les barres profilées minces (1 à 3 mm).

Denture en alternance (en groupe): Ce type de denture a des groupes de dents droites positionnées en alternance à des côtés droite et gauche.



Ce type de denture a des dents très fines et est principalement utilisé pour couper les matériaux très fins (moins de 1 mm).

Denture en alternance (dent individuelle): Ce type de denture a des dents à droite et des autres à gauche.

Ce type de denture est utilisé pour couper les matériaux tendres non ferreux, les plastiques et les bois.



10.3 Matériaux et caractéristique

TYPES D'ACIER						CARACTÉRISTIQUES		
UTILISATION	I UNI	D DIN	F AF NOR	GB SB	USA AISI-SAE	HB de dureté Brinell	HB de dureté Rockwell	R = N / mm ²
Aciers de construction	Fe360	St37	E24	----	----	116	67	360÷480
	Fe430	St44	E28	43	----	148	80	430÷560
	Fe510	St52	E36	50	----	180	88	510÷660
Aciers au carbone	C20	CK20	XC20	060 A 20	1020	198	93	540÷690
	C40	CK40	XC42H1	060 A 40	1040	198	93	700÷840
	C50	CK50	----	----	1050	202	94	760÷900
	C60	CK60	XC55	060 A 62	1060	202	94	830÷980
Acier à ressort	50CrV4	50CrV4	50CV40	735 A 50	6150	207	95	1140÷1330
	60SiCr8	60SiCr7	----	----	9262	224	98	1220÷1400
Aciers alliés pour trempe et revenu et à la nitruration	35CrMo4	34CrMo4	35CD4	708 A 37	4135	220	98	780÷930
	39NiCrMo4	36CrNiMo4	39NCD4	----	9840	228	99	880÷1080
	41CrAlMo7	41CrAlMo7	40CADG12	905 M 39	----	232	100	930÷1130
Aciers alliés de cémentation	18NiCrMo7	----	20NCD7	En 325	4320	232	100	760÷1030
	20NiCrMo2	21NiCrMo2	20NCD2	805 H 20	4315	224	98	690÷980
Alliés pour supports	100Cr6	100Cr6	100C6	534 A 99	52100	207	95	690÷980
Aciers à outils	52NiCrMoKU	56NiCrMoV7C100K	----	----	----	244	102	800÷1030
	C100KU	C100W1	----	BS 1	S-1	212	96	710÷980
	X210Cr13KU	X210Cr12	Z200C12	BD2-BD3	D6-D3	252	103	820÷1060
	58CrMo1713	----	Y60SC7	----	S5	244	102	800÷1030
Aciers inoxydables	X12Cr13	4001	----	----	410	202	94	670÷885
	X5CrNi1810	4301	Z5CN18.09	304 C 12	304	202	94	590÷665
	X8CrNi1910	----	----	----	----	202	94	540÷685
	X8CrNiMo1713	4401	Z6CDN17.12	316 S 16	316	202	94	490÷685
Alliages de cuivre, de laiton spécial et de bronze	Alliage d'aluminium et de cuivre G-CuAl11Fe4Ni4 UNI 5275					220	98	620÷685
	Manganèse spécial / laiton au silicium G-CuZn36Si1Pb1 UNI5038					140	77	375÷440
	SAE43 bronze au manganèse SAE430					120	69	320÷410
	Phosphor bronze G-CuSn12 7013/2a UNI					100	56.5	265÷314
Fonte	G25 fonte brute, fonte grise					212	96	245
	Fonte graphitée sphéroïdal GS600					232	100	600
	Fonte malléable W40-05					222	98	420

11. Protection de l'environnement

Protégez l'environnement !

Votre appareil comprend plusieurs matières premières différentes et recyclables. Pour éliminer l'appareil usagé, veuillez l'apporter dans un centre spécialisé de recyclage des appareils électriques.

12. Accessoires

Pour diverses lames voir liste de prix.

13. Dépannage

Ce chapitre dresse une liste des défauts et des défaillances éventuels qui risquent de se produire pendant le fonctionnement de la machine ainsi que des suggestions pour y remédier.

13.1 Diagnostic de lame de scie et de coupe

ERREUR

DENTS CASSÉES



CAUSE POSSIBLE

Avance trop rapide

Vitesse de coupe incorrecte

Longueur de denture inappropriée

Copeaux adhérant sur les dents et dans les voies ou matériau qui collent

Défauts de matériau ou matériau trop dur

Mauvaise préhension de la pièce dans l'étau.

La lame se coince dans le matériau

Commencer par la coupe de profilés tranchants de forme irrégulière.

Lame de scie de mauvaise qualité

Les dents cassées n'ont pas été enlevées de l'outil.

Coupe reprise sur une rainure faite précédemment.

Vibrations

Longueur ou forme de denture inappropriée.

MESURE DE RÉPARATION

Diminuer la vitesse d'avance en appliquant une pression de coupe moins élevée. Régler le dispositif de freinage.

Changer la vitesse et/ou le type de lame de scie.

Voir Chapitre « Classification des matériaux et choix de l'outil », dans la section *Tableau Choix de la lame de scie en fonction de la vitesse de coupe et d'avance*.

Choisir une lame appropriée. Voir le chapitre « Classification des matériaux et choix de l'outil »

Vérifier si les orifices de sortie de réfrigérant sur les blocs de guide lame sont bouchés et si le flux de réfrigérant est suffisant pour évacuer les copeaux de la lame de scie.

Les surfaces de matériau peuvent être oxydées ou couvertes d'impuretés, les rendant, au début de la coupe, plus dures que la lame elle-même. Elles peuvent avoir également des zones dures ou des inclusions dans le profilé à cause des agents tels que le sable coulé, déchets de soudure, etc., utilisés lors de la production. Éviter de couper ces matériaux. Au cas où la coupe est nécessaire, procéder avec le plus grand soin, nettoyer et enlever ce genre d'impuretés au plus vite possible.

Vérifier la préhension de la pièce dans l'étau.

Réduire la vitesse d'avance et essayer une pression de coupe plus faible.

Accorder une plus grande attention lors de commencer la coupe.

Utiliser une lame de qualité supérieure.

Enlevez toutes les pièces laissées sur l'outil.

Effectuer la coupe ailleurs en tournant la partie.

Vérifier la préhension de la pièce dans l'étau.

Remplacer la lame de scie par une autre plus adaptée. Voir le

	<p>Réfrigérant et lubrifiant insuffisant ou mauvaise émulsion.</p> <p>Dents placées dans le mauvais sens</p>	<p>chapitre « Classification des matériaux et choix de l'outil » dans la section Types de lame de scie. Régler les blocs de guide lame.</p> <p>Vérifier le niveau du liquide dans le réservoir. Augmenter le flux du réfrigérant-lubrifiant et vérifiez que le trou et le tuyau de sortie du liquide ne sont pas bouchés. Vérifier le pourcentage d'émulsion.</p> <p>Placer les dents dans le bon sens.</p>
--	--------------------------------------------------------------------------------------------------------------	-------------------------------------------------------------------------------------------------------------------------------------------------------------------------------------------------------------------------------------------------------------------------------------------------------------------------------------------------------------------------------------------------------------

ERREUR

USURE PRÉMATURÉE DE LA LAME DE SCIE



CAUSE POSSIBLE

Rodage incorrect de la lame

Dents placées dans le mauvais sens

Lame de scie de mauvaise qualité

Avance trop rapide

Vitesse de coupe incorrecte

Défauts de matériau ou matériau trop dur

Réfrigérant-lubrifiant insuffisant ou mauvaise émulsion.

MESURE DE RÉPARATION

Voir le chapitre « Classification des matériaux et choix de l'outil » dans la section Rodage de la lame de scie.

Placer les dents dans le bon sens.

Utiliser une lame de qualité supérieure.

Réduire la vitesse d'avance, en baissant la tension de coupe.

Régler le dispositif de freinage.

Changer la vitesse et/ou le type de lame de scie.

Voir Chapitre « Classification des matériaux et choix de l'outil », dans la section *Tableau Choix de la lame de scie en fonction de la vitesse de coupe et d'avance.*

Les surfaces de matériau peuvent être oxydées ou couvertes d'impuretés, les rendant, au début de la coupe, plus dures que la lame elle-même. Elles peuvent avoir également des zones dures ou des inclusions dans le profilé à cause des agents tels que le sable coulé, déchets de soudure, etc., utilisés lors de la production. Éviter de couper ces matériaux.

Au cas où la coupe est nécessaire, procéder avec le plus grand soin. Nettoyer et enlever les impuretés au plus vite possible.

Vérifier le niveau du liquide dans le réservoir. Augmenter la vitesse du réfrigérant. S'assurer que l'orifice et le tuyau d'évacuation ne sont pas bouchés. Vérifier le pourcentage d'émulsion.

DENTS CASSÉES



Lame de scie soudée incorrectement

Avance trop rapide

Vitesse de coupe incorrecte

Longueur de denture inappropriée

La qualité de soudage de la lame de scie est d'une extrême importance. Les surfaces de contact doivent être parfaitement assorties et ne doivent pas comporter d'inclusions ou de bulles. La partie soudée doit être entièrement lisse et plane. Ils doivent avoir la même épaisseur et ne doivent pas être bosselés qui pourraient causer des bosses ou la cassure pendant le glissement entre les blocs de guidage.

Réduire la vitesse d'avance, en baissant la tension de coupe.

Régler le dispositif de freinage.

Changer la vitesse et/ou le type de lame de scie.

Voir Chapitre « Classification des matériaux et choix de l'outil »,

	<p>Mauvaise préhension de la pièce dans l'étau.</p> <p>La lame de scie touche la pièce à scier au début de la coupe. MESURE DE RÉPARATION</p>	<p>dans la section <i>Tableau Choix de la lame de scie en fonction de la vitesse de coupe et d'avance</i>. Choisir une lame appropriée. Voir le chapitre « Classification des matériaux et choix de l'outil ». Vérifier la préhension de la pièce dans l'étau.</p> <p>Lors de commencer la coupe, descendre l'archet avant de démarrer le moteur de la lame.</p>
--	---------------------------------------------------------------------------------------------------------------------------------------------------	------------------------------------------------------------------------------------------------------------------------------------------------------------------------------------------------------------------------------------------------------------------------------------------------------------------------------------------------------------------

ERREUR

USURE PRÉMATURÉE DE LA LAME DE SCIE



CAUSE POSSIBLE

Rodage incorrect de la lame

Dents placées dans le mauvais sens

Lame de scie de mauvaise qualité

Avance trop rapide

Vitesse de coupe incorrecte

Défauts de matériau ou matériau trop dur

Réfrigérant-lubrifiant insuffisant ou mauvaise émulsion.

MESURE DE RÉPARATION

Voir le chapitre « Classification des matériaux et choix de l'outil » dans la section Rodage de la lame de scie.

Placer les dents dans le bon sens.

Utiliser une lame de qualité supérieure.

Réduire la vitesse d'avance, en baissant la tension de coupe.

Régler le dispositif de freinage.

Changer la vitesse et/ou le type de lame de scie.

Voir Chapitre « Classification des matériaux et choix de l'outil », dans la section *Tableau Choix de la lame de scie en fonction de la vitesse de coupe et d'avance.*

Les surfaces de matériau peuvent être oxydées ou couvertes d'impuretés, les rendant, au début de la coupe, plus dures que la lame elle-même. Elles peuvent avoir également des zones dures ou des inclusions dans le profilé à cause des agents tels que le sable coulé, déchets de soudure, etc., utilisés lors de la production. Éviter de couper ces matériaux.

Au cas où la coupe est nécessaire, procéder avec le plus grand soin. Nettoyer et enlever les impuretés au plus vite possible.

Vérifier le niveau du liquide dans le réservoir. Augmenter la vitesse du réfrigérant. S'assurer que l'orifice et le tuyau d'évacuation ne sont pas bouchés. Vérifier le pourcentage d'émulsion.

DENTS CASSÉES



Lame de scie soudée incorrectement

Avance trop rapide

Vitesse de coupe incorrecte

Longueur de denture inappropriée

La qualité de soudage de la lame de scie est d'une extrême importance. Les surfaces de contact doivent être parfaitement assorties et ne doivent pas comporter d'inclusions ou de bulles. La partie soudée doit être entièrement lisse et plane. Ils doivent avoir la même épaisseur et ne doivent pas être bosselés qui pourraient causer des bosses ou la cassure pendant le glissement entre les blocs de guidage.

Réduire la vitesse d'avance, en baissant la tension de coupe.

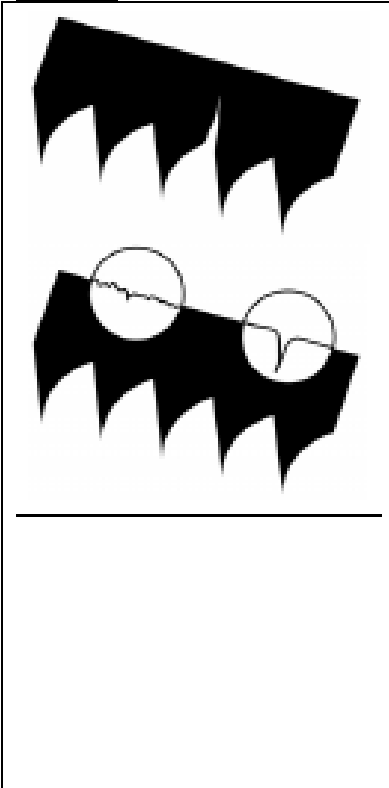
Régler le dispositif de freinage.

Changer la vitesse et/ou le type de lame de scie.

Voir Chapitre « Classification des matériaux et choix de l'outil »,

	<p>Mauvaise préhension de la pièce dans l'étau.</p> <p>La lame de scie touche la pièce à scier au début de la coupe. MESURE DE RÉPARATION</p>	<p>dans la section <i>Tableau Choix de la lame de scie en fonction de la vitesse de coupe et d'avance</i>. Choisir une lame appropriée. Voir le chapitre « Classification des matériaux et choix de l'outil ».</p> <p>Vérifier la préhension de la pièce dans l'étau.</p> <p>Lors de commencer la coupe, descendre l'archet avant de démarrer le moteur de la lame.</p>
--	-----------------------------------------------------------------------------------------------------------------------------------------------------------	-------------------------------------------------------------------------------------------------------------------------------------------------------------------------------------------------------------------------------------------------------------------------------------------------------------------------------------------------------------------------

ERREUR



CAUSE POSSIBLE

Blocs de guidage non réglés ou encrassés dû à un manque d'entretien

Bloc de guide lame trop éloigné du matériau à couper

Mauvaise position de la lame sur les volants

Réfrigérant-lubrifiant insuffisant ou mauvaise émulsion.

MESURE DE RÉPARATION

Vérifier l'espace entre les blocs de guidage (voir « Réglage de la machine » dans la section Guidage de la lame de scie) : un guidage extrêmement précis peut entraîner des fissures et la rupture des dents. Nettoyer avec le plus grand soin.

Approcher la tête le plus près possible de la pièce à usiner de façon à ce que seules les dents d'attaque soient libres. Ce qui permet d'éviter des déflexions qui risqueraient de susciter une tension trop importante de la lame.

Le dos de la lame de scie frotte sur le support en raison de la déformation ou du mauvais soudage de la lame de scie, entraînant des fissures et des bosses sur le contour arrière. Vérifier le niveau du liquide dans le réservoir. Augmenter la vitesse du réfrigérant. S'assurer que l'orifice et le tuyau d'évacuation ne sont pas bouchés. Vérifier le pourcentage d'émulsion.

RUBANS RAYÉS OU ERRAFLÉS

Blocs de guidage endommagés ou morcelés
Paliers de guidage coincés ou relâchés.

Remplacez-les.

Régler les paliers (voir « Réglage de la machine » dans la section Guidage de la lame de scie).

COUPE NON DROITE

Lame de scie n'est pas parallèle au contre-étai

Lame de scie non perpendiculaire en raison du jeu important entre les blocs de guidage et des blocs mal réglés.

Avance trop rapide

Lame de scie usée

Longueur de denture inappropriée

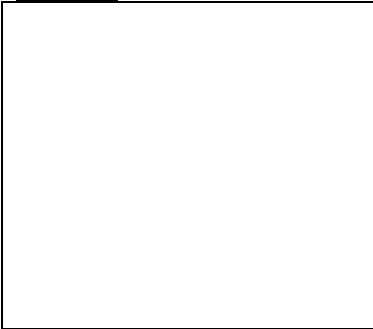
Vérifier si les fixations des guides lame ne sont pas trop lâches par rapport au contre-étai et mettre les blocs en position verticale ; aligner, si nécessaire, les degrés et ajuster les vis de butée pour les coupes d'onglet.

Vérifier et régler les blocs de guidage en position verticale ; rajuster le jeu du guidage latéral (voir « Réglage de la machine » dans la section Guidage de la lame de scie).

Réduire la vitesse d'avance, en baissant la tension de coupe. Régler le dispositif de freinage. Approcher la lame le plus près possible de la pièce à usiner de façon à ce que seules les dents d'attaque soient libres. Ce qui permet d'éviter des déflexions qui risqueraient de solliciter extrêmement la lame. Remplacer la lame. En cas d'utilisation d'une lame de scie au nombre de dents élevé, la

remplacer par une lame avec moins de dents (voir le chapitre « Classification des matériaux et choix de l'outil » dans la section Types de lame de scie).

ERREUR



CAUSE POSSIBLE

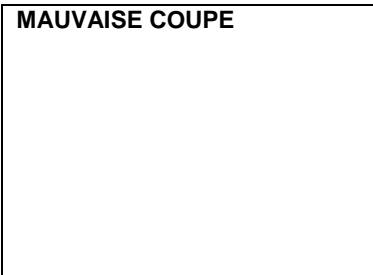
Dents cassées

Réfrigérant-lubrifiant insuffisant ou mauvaise émulsion.

MESURE DE RÉPARATION

Une coupe irrégulière de la lame de scie due au manque de dents peut provoquer des écarts par rapport à la ligne de coupe. Contrôler la lame de scie et la remplacer si nécessaire. Vérifier le niveau du liquide dans le réservoir. Augmenter la vitesse d'écoulement du réfrigérant-lubrifiant et s'assurer que l'orifice et le tuyau d'évacuation ne sont pas bouchés. Vérifier le pourcentage d'émulsion.

MAUVAISE COUPE

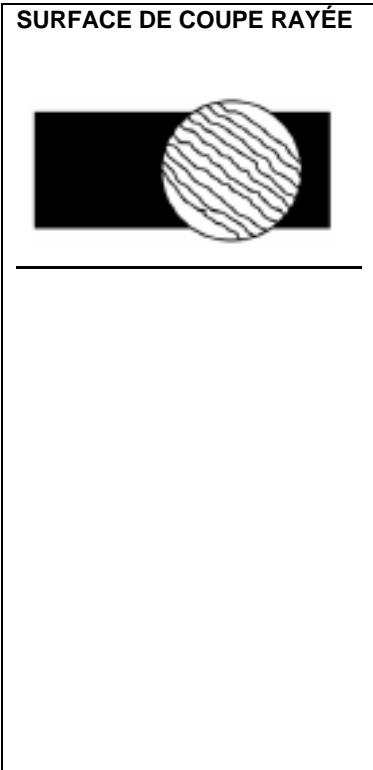


Volants usés

Le carter du volant est rempli de copeaux.

Le support et la bride du guide du ruban sont usés de telle sorte qu'ils ne peuvent plus assurer l'alignement de la lame de scie, ce qui entraîne des coupes de mauvaise qualité. Il se peut que les rouleaux de ruban et le tracé de traction soient fuselés. Remplacer les rouleaux de ruban et le tracé de traction. Nettoyer avec de l'air comprimé.

SURFACE DE COUPE RAYÉE



Avance trop rapide

Lame de scie de mauvaise qualité
Lame de scie usée ou dents rognées et/ou cassées
Longueur de denture inappropriée

Bloc de guide lame trop éloigné du matériau à couper

Réfrigérant-lubrifiant insuffisant ou mauvaise émulsion.

Réduire la vitesse d'avance, en baissant la tension de coupe. Régler le dispositif de freinage. Utiliser une lame de qualité supérieure.

Remplacer la lame.

Il se peut que l'espace entre les dents de la lame de scie utilisée soit trop grand. Utiliser une lame de scie avec plus de dents (voir Chapitre « **Classification des matériaux et choix de l'outil** », dans la section Types de lame de scie).

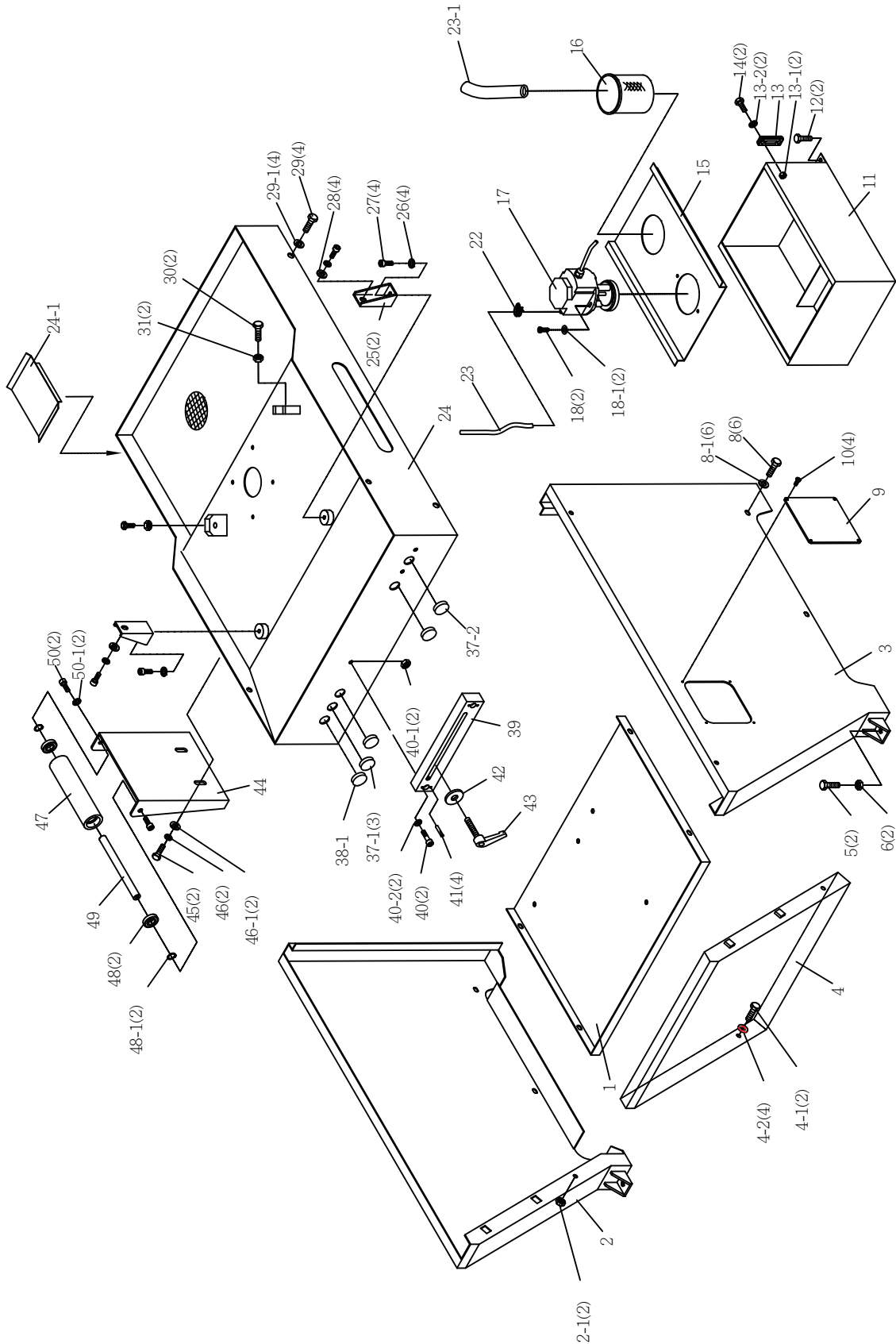
Approcher la lame le plus près possible de la pièce à usiner de façon à ce que seules les dents d'attaque soient libres. Ce qui permet d'éviter des déflexions qui risqueraient de solliciter extrêmement la lame. Vérifier le niveau du liquide dans le réservoir. Augmenter la vitesse d'écoulement du réfrigérant-lubrifiant et s'assurer que l'orifice et le tuyau d'évacuation ne sont pas bouchés. Vérifier le pourcentage d'émulsion.

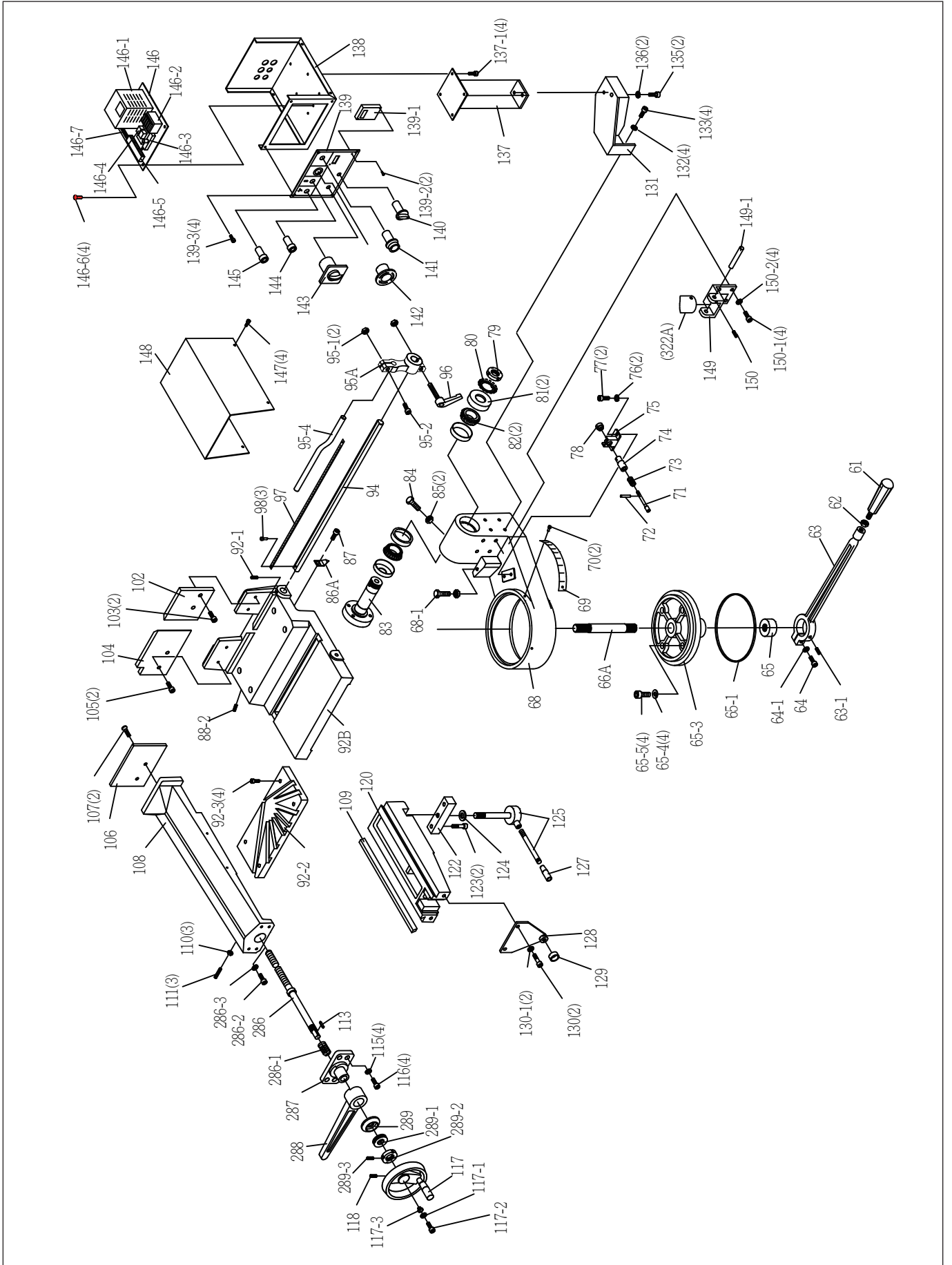
FONCTIONNEMENT BRUYANT DES BLOCS DE GUIDAGE



Paliers ébréchés, usés ou coussinets endommagés

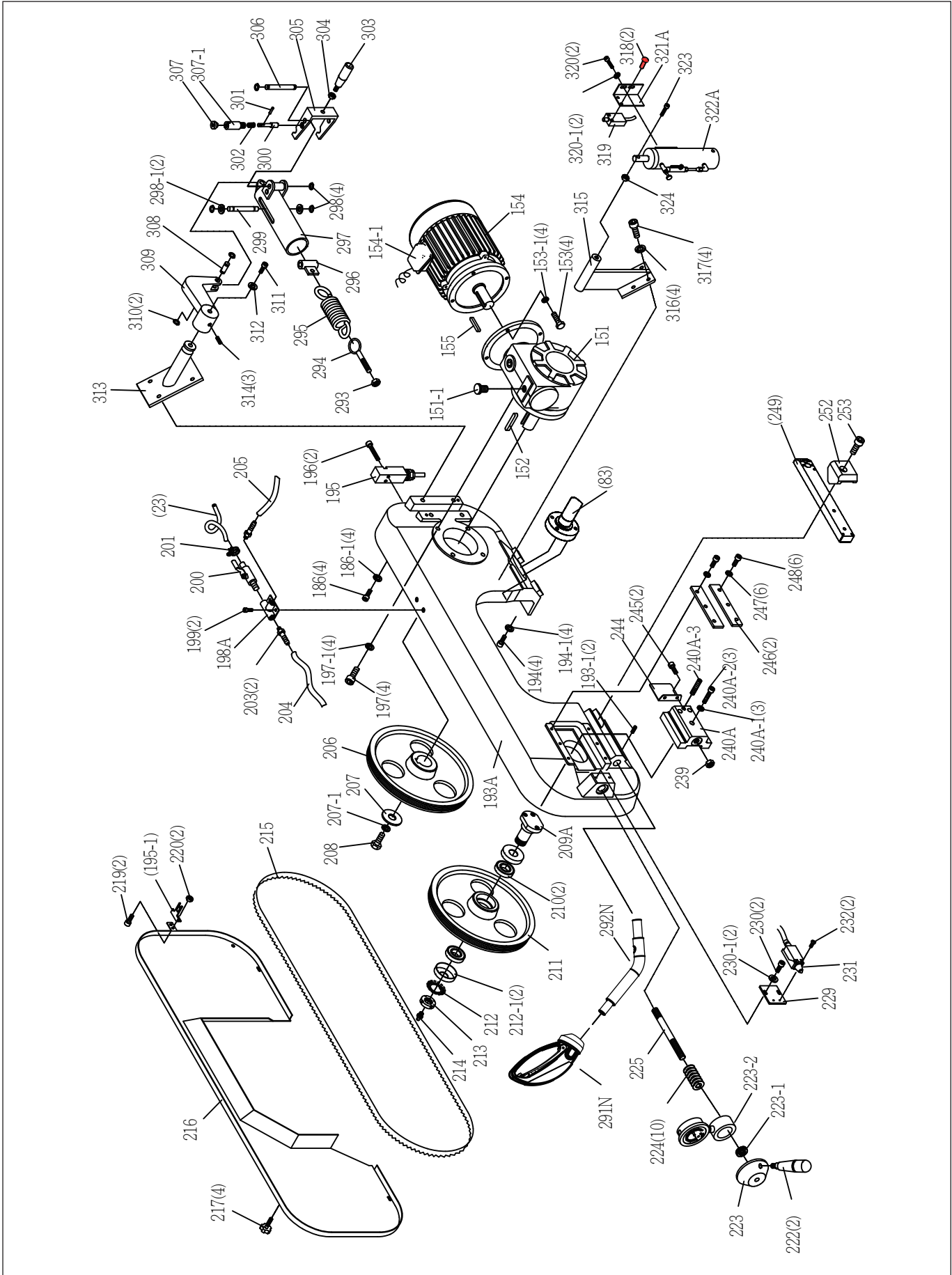
Saleté et/ou copeaux entre la lame et les paliers de guidage. Remplacez-les. Remplacez-les.

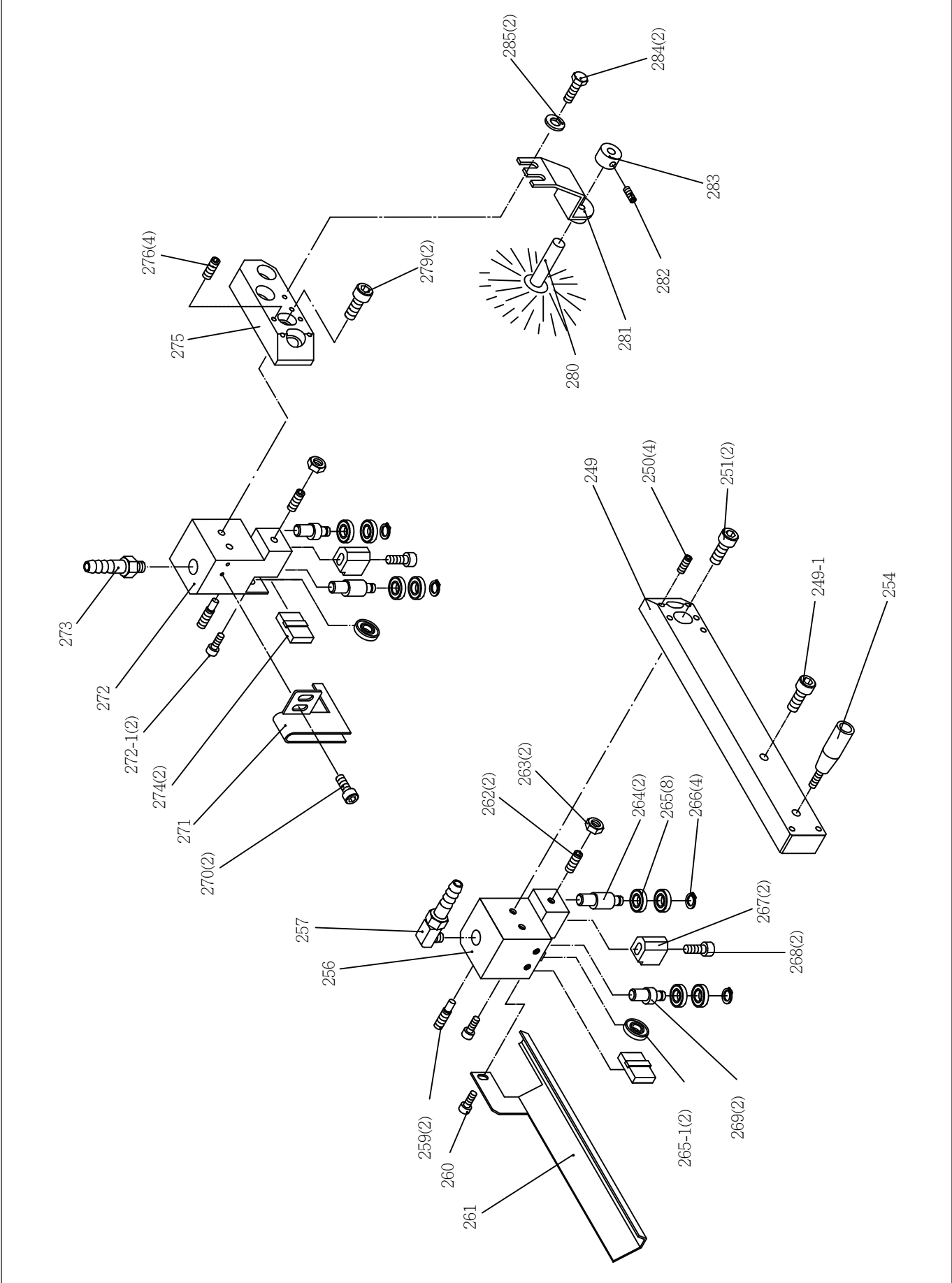




SX-823DGV1

PROMAC®





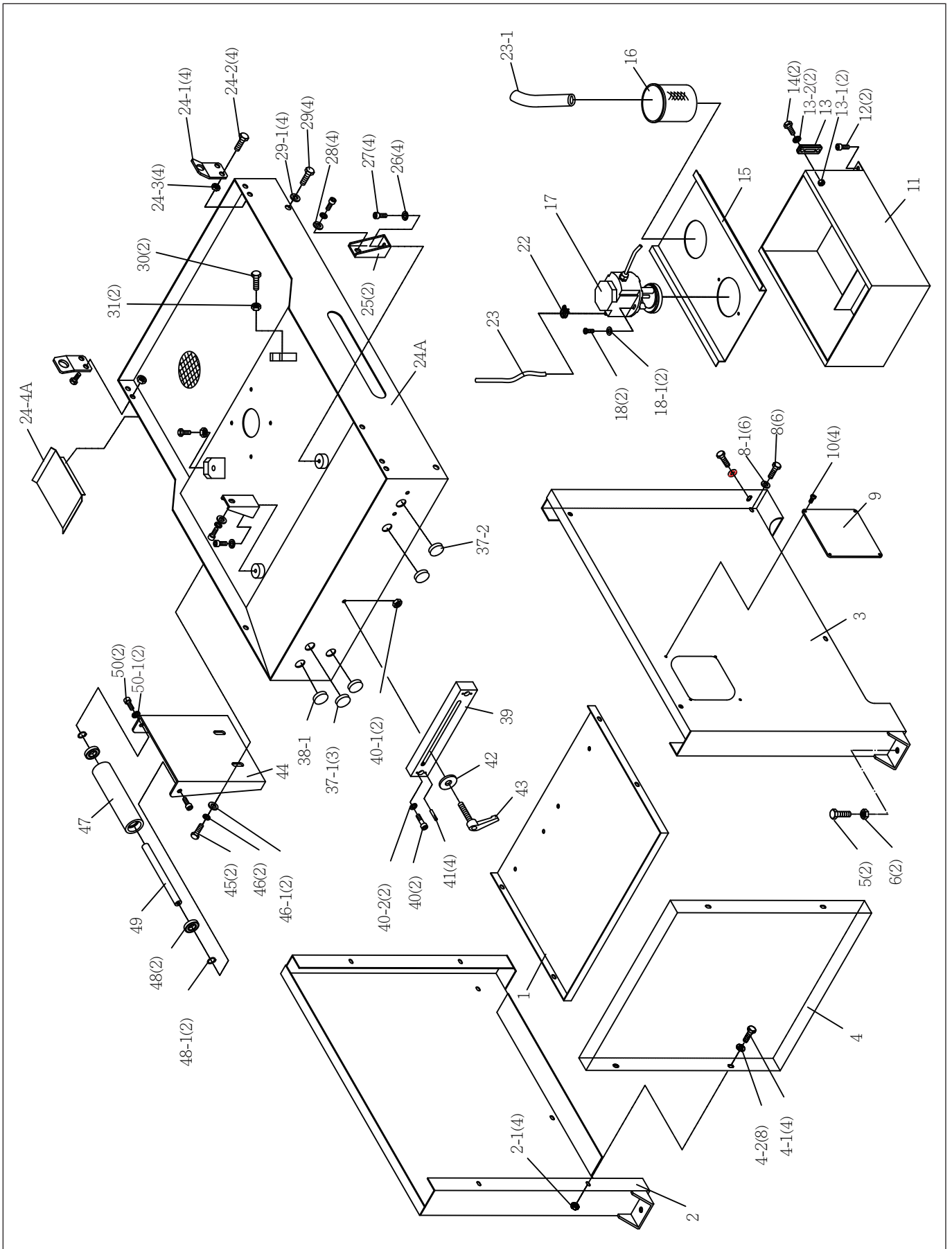
001	PM-823001G	Base(Bottom Plate)/ Grundplatte /Base
002	PM-823002G	Base(Left Part) / Seitenwand L / Paroi G
002-1	PM-823002-1	Nut / Mutter / Ecrou M8
003	PM-823003G	Base(Rigth Part) / Seitenwand R / Paroi D
004	PM-823004G	Base (Front Part) / Seitenwand / Paroi
004-1	PM-823004-1	Hex.Cap Bolt / Schraube / Vis M8x16
004-2	PM-823004-2	Washer / Scheibe / Rondelle M8
005	PM-823005	Hex. Cap Bolt / Schraube / Vis M12x40
006	PM-823062	Nut / Mutter / Ecrou M12
008	PM-823012	Hex.Cap Bolt / Schraube / Vis M8x16
008-1	PM-823012-1	Washer / Scheibe / Rondelle M8
009	PM-823009G	Plate / Abdeckung / Couvercle
010	PM-823010	Hex.Socket screw / Schraube / Vis M5x8
011	PM-823011G	Coolant Tank / Behälter / Réservoir
012	PM-823012	Hex.Cap Bolt / Schraube / Vis M8x16
013	PM-823013	Coolant Gauge / Anzeige / Verre niveau 3"
013-1	PM-823013-1	Nut / Mutter / Ecrou M10
013-2	PM-823013-2	Washer / Scheibe / Rondelle M10
014	PM-823014	Hex. Cap Bolt /* Schraube / Vis M10x26
015	PM-823015G	Tank Cover / Platte / Plaque
016	PM-823016	Filter / Filter / Filtre
017	PM-823017	Pump / Pumpe / Pompe
018	PM-823018	Hex.Socket Cap Screw / Schraube / Vis M6x25
018-1	PM-823018-1	Washer / Scheibe / Rondelle M6
022	PM-823022	Hose Clamp / Briede / Collier 13mm
023	PM-823023	Hose / Schlauch Tube 5/16"x235mm
023-1	PM-823023-1	Hose / Schlauch / Tube 1"x450mm
024	PM-823024	Coolant and chip Tray / Spänewanne / Puces baignoire
024-1	PM-823024-1G	Block Plate / Platte / Plaque
025	PM-823025	Mounting Bracket / Flansch / Support
026	PM-823026	Spring Washer / Federring / Rondelle M10
027	PM-823027	Hex.Socket Cap Screw / Schraube / Vis M10x20
028	PM-823028	Flat Washer / Scheibe / Rondelle M10x25x2
029	PM-823029	Hex. Socket Cap Screw / Schraube / Vis M10x20
029-1	PM-823029-1	Washer / Scheibe / Rondelle M10
030	PM-823005	Hex. Cap Bolt / Schraube / Vis M12x40
031	PM-823031	Nut / Mutter / Ecrou M12
037-1	PM-823037-1	Plug / Stopfen / Truc HP-25
037-2	PM-823037-2	Plug / Stopfen / Truc HP-19
038-1	PM-823038-1	Plug / Stopfen / Truc HP-22
039	PM-823039	Track / Flansch / Support
040	PM-823040	Hex.Socket Cap Screw / Schraube / Vis M8x35
040-1	PM-823040-1	Nut / Mutter / Ecrou M8
040-2	PM-823040-2	Spring Washer / Federring / Rondelle M8
041	PM-823041	Set Screw / Schraube / Vis M6*12
042	PM-823042	Washer / Scheibe / Rondelle
043	PM-823043	Handle / Feststellgriff / Poignée M8x25
044	PM-823044	Roller Stand / Halter / Support
045	PM-823045	Hex. Cap Bolt / Schraube / Vis M12x25
046	PM-823046	Spring Washer / Federring / Rondelle M12
046-1	PM-823046-1	Washer / Scheibe / Rondelle M12
047	PM-823047	Roller / Rolle / Rouleau
048	PM-302004	Ball Bearing / Kugellager / Roulement 6004ZZ
048-1	PM-823048-1	C-Ring / Sicherungsring / Circlip S-20
049	PM-823049	Roller Shaft / Welle / Axe
050	PM-823027	Hex.Socket Cap Screw / Schraube / Vis M10x20
050-1	PM-823026	Spring Washer / Federring / Rondelle M10
061	PM-823061	Handle / Griff / Poignée
062	PM-823062	Nut / Mutter / Ecrou M12
063	PM-823063	Locking Lever / Spannhebel Levier
063-1	PM-823314	Set Screw / Schraube / Vis M10x16

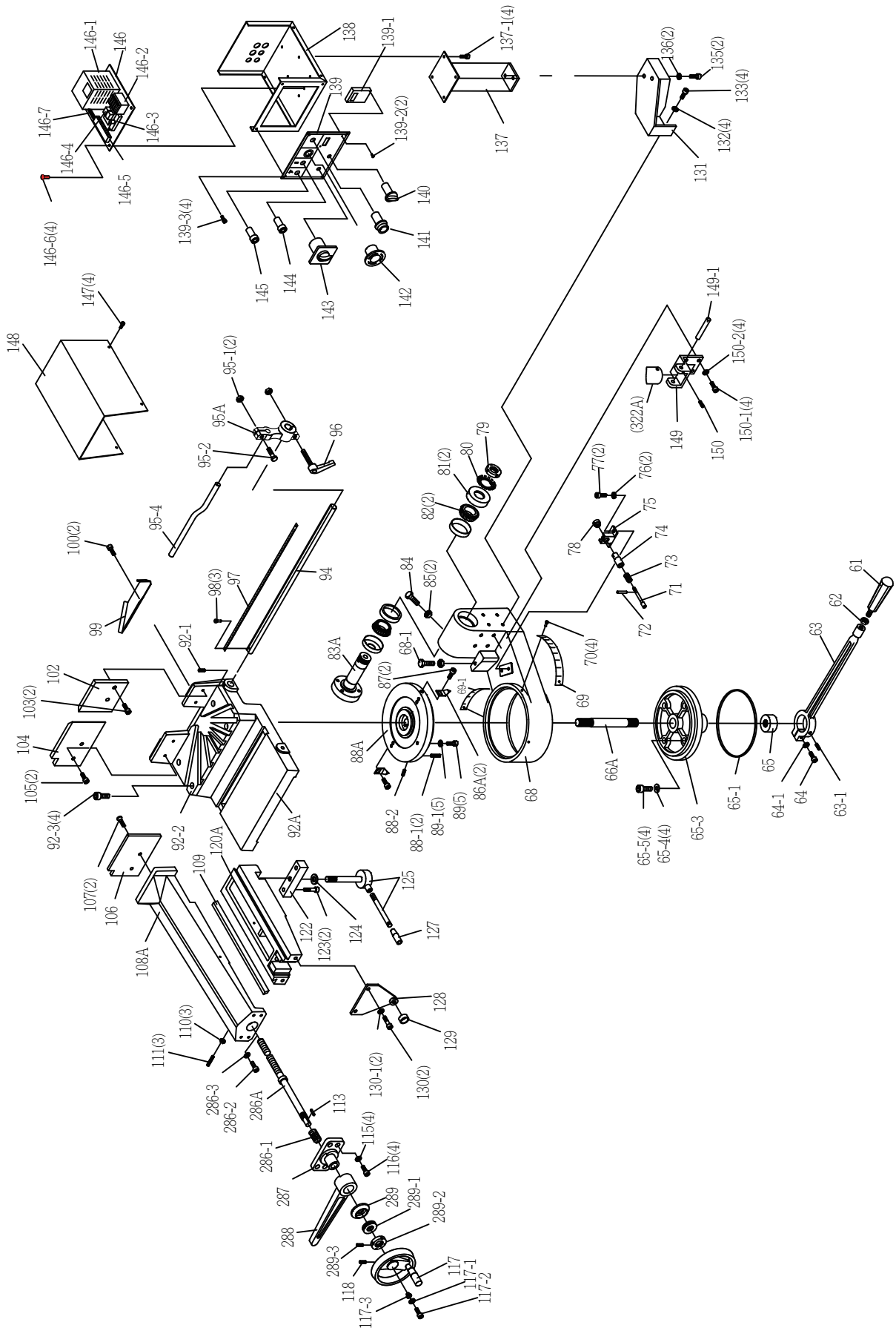
064	PM-823064	Hex.Socket Cap Screw / Schraube / Vis M10x35
064-1	PM-823026	Spring Washer / Federring / Rondelle M10
065	PM-823065	Shaft Nut / Mutter / Ecrou
065-1	PM-823065-1	Oil Seal / O-Ring / O-ring 4mmx675Lmm
065-3	PM-823065-3G	Disk / Drehflansch / Support
065-4	PM-823115	Spring Washer / Federring / Rondelle M8
065-5	PM-823065-5	Hex. Socket Cap Screw / Schraube / Vis M8x30
066A	PM-823066-A	Shaft / Achswelle / Arbre
068	PM-823068G	Swivel Arm / Drehteil / Support bras
068-1	PM-823068-1	Hex. Cap Bolt / Schraube / Vis M10x40
069	PM-823069	Scale / Skala / Scale
070	PM-823070	Rivet/ Niete / Rivet 2.3x4
071	PM-823071	Pin / Stift / Goupille
072	PM-823072	Hollow Pin / Stift / Goupille 2.5x16
073	PM-823073	Spring / Feder / Ressort 0.8x9x30mm
074	PM-823074	Bushing / Büchse / Boîte
075	PM-823075	Bracket / Halter / Support
076	PM-823115	Spring Washer / Federring / Rondelle M8
077	PM-823077	Hex.Socket Cap Screw / Schraube / Vis M8x25
078	PM-823078	Knob / Griff / Bouton
079	PM-823079	Jam Nut / Mutter / Ecrou M35
080	PM-823080	Star Washer / Sicherungsscheibe / Rondelle M35
081	PM-823081	Anti-Dust Cover / Abdeckung /Couvercle M35
082	PM-823082	Ball Bearing / Rollenlager / Roulement #32007
083	PM-823083	Shaft / Welle / Axe
084	PM-823084	Hex. Cap Bolt / Schraube / Vis M10x40
085	PM-823085	Nut / Mutter / Ecrou M10
086A	PM-823086-A	Indicator / Pfeil / Flèche
087	PM-823087	Hex.Socket Cap Screw / Schraube / Vis M5x8
088-2	PM-823088-2	Set Screw / Schraube / Vis M8x10
092B	PM-823092-BG	Table / Tisch /Table
092-1	PM-827041	Set Screw / Schraube / Vis M6x12
092-2	PM-823092-2G	Changeable Plate / Tischeinsatzplatte / Plate insert table
092-3	PM-823092-3	Hex. Socket Cap Screw / Schraube / Vis M8x16
094	PM-823094	Bar-Stop-Rod / Anschlagstange /Guide barre
95A	PM-823095A	Stop Bar / Anschlag / Guide
095-1	PM-823095-1	Nut / Mutter / Ecrou M8
095-2	PM-823095-2	Hex.Socket Cap Screw / Schraube / Vis M8x25
095-4	PM-823095-4	Stop Bar / Anschlag / Guide
096	PM-823043	Handle / Feststellgriff / Poignée M8x25
097	PM-823097	Scale / Messband / Scale
098	PM-823098	Rivet / Niete / Rivet
102	PM-823099	No-Burr Jaw / Spannstockbacke / Mâchoire étau
103	PM-823103	Hex. Socket Cap Screw / Schraube / Vis M6x16
104	PM-823104	Counter Vise Jaw / Spannbacke / Mâchoire étau
105	PM-823105	Hex. Socket Cap Screw / Schraube / Vis M6x16
106	PM-823106	Vise Jaw / Spannbacke /Mâchoire étau
107	PM-823107	Flat Head Machine Screw /Schraube / Vis M6x16
108	PM-823108G	Vise / Spannstock / Etau
109	PM-823109	Dove tail Plate / Einstellleiste / Guide
110	PM-823110	Nut / Mutter / Ecrou M5
111	PM-823111	Set Screw / Schraube / Vis M5x25
113	PM-823112	Key / Keil / Clavette 5x5x15
115	PM-823115	Spring Washer / Federring / Rondelle M8
116	PM-823130	Hex.Socket Cap Screw / Schraube / Vis M8x20
117	PM-823117	Hand Wheel / Handrad / Manivelle 6 1/2"
117-1	PM-823117-1	Spring Washer / Federring / Rondelle M6
117-2	PM-823117-2	Hex.Socket Cap Screw / Schraube / Vis M6x25
117-3	PM-823117-3	Bushing / Büchse / Douille
118	PM-823118	Set Screw / Schraube / Vis M8x10
120	PM-823120G	Vise Seat / Spannstock Grundstock /Etau fixe
122	PM-823122	Vise Setting Plate / Flansch /Flasque

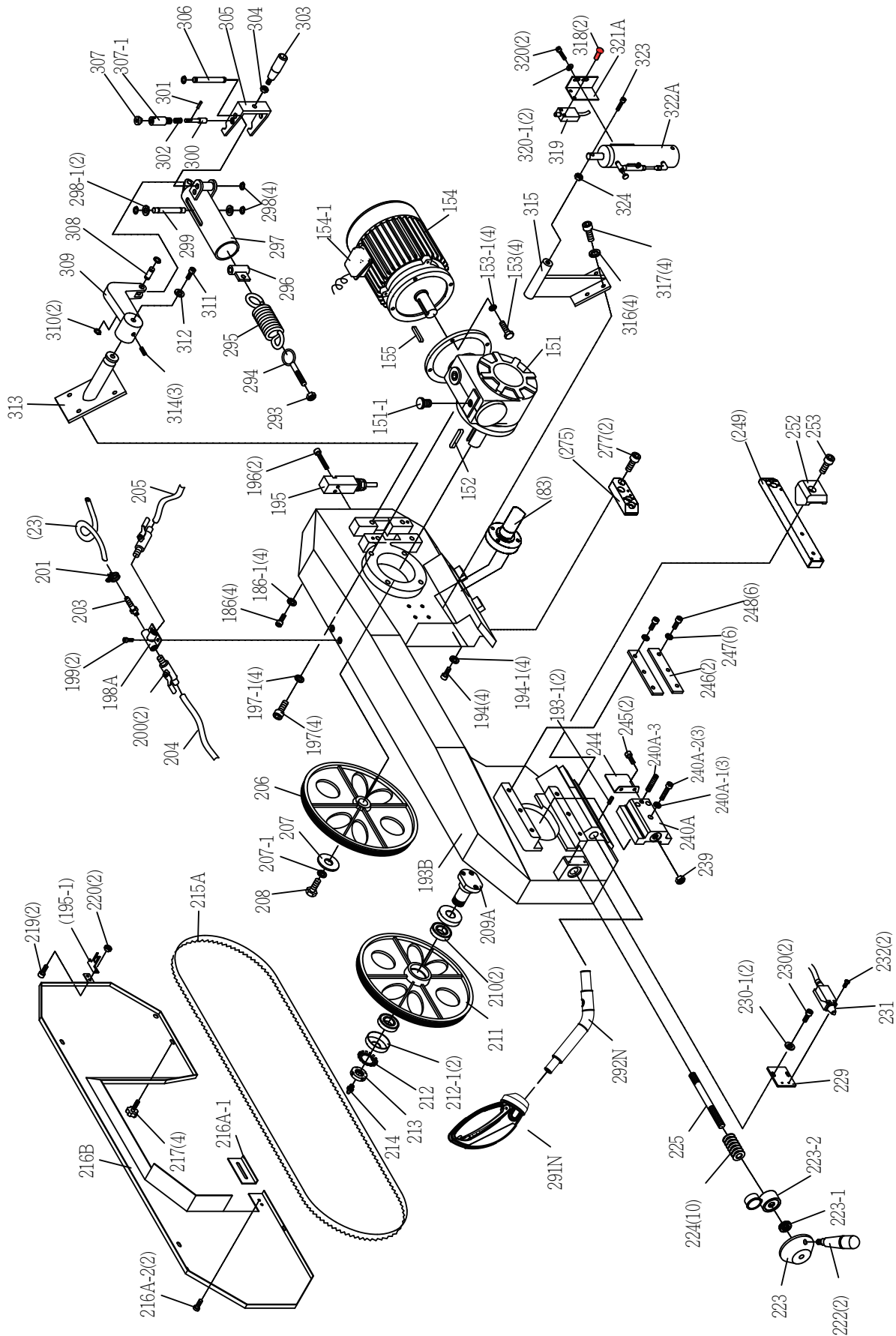
123	PM-823123	Hex. Socket Cap Screw / Schraube / Vis M10x30
124	PM-823124	Setting Washer / Scheibe / Rondelle
125	PM-823125	Lock Lever Device / Spannbolzen / Axe blocage M16x190
127	PM-823127	Handle / Griff / Poignée 1/2"
128	PM-823128	Setting Plate / Platte / Support
129	PM-823129	Bushing / Büchse / Douille
130	PM-823130	Hex.Socket Cap Screw / Schraube / Vis M8x20
130-1	PM-823130-1	Spring Washer / Federring / Rondelle M8
131	PM-823131G	Electric Box Holder / Halter / Support
132	PM-823115	Spring Washer / Federring / Rondelle M8
133	PM-823130	Hex.Socket Cap Screw / Schraube / Vis M8x20
135	PM-823208	Hex.Socket Cap Screw / Schraube / Vis M10x25
136	PM-823026	Spring Washer / Federring / Rondelle M10
137	PM-823137G	Support / Halter / Support
137-1	PM-823137-1	Hex.Socket Cap Screw / Schraube / Vis M5x8
138	PM-823138G	Control Box Bottom Part / Gehäuseunterteil / Carcasse plafond
139	PM-823139	Control Box Panel / Fronttafel / Panneau
139-1	PM-823139-1	Blade Speed Indicator / Digitale Anzeige / Display digital
139-2	PM-823139-2	Hex.Socket Cap Screw / Schraube / Vis
139-3	PM-823139-3	Round Head Screw / Schraube / Vis M5x8
140	PM-823140	Manual/Auto Selector / Wahlschalter auto.- manual / Inter auto. - manuel
141	PM-823141	Blade Speed Knob / Drehzahlregler / Inter vitesse
142	PM-823142	Emergency Switch / Notausschalter / Inter de sécurité
143	PM-823143	Main Connect Switch / Hauptschalter / Inter principal
144	PM-823144	Start Push Button / Starttaster / Inter Start (SH/DS)1A
145	PM-823145	Power Indicator Light / Kontrollleuchte / Lampe de controle (24V/30V)
146	PM-823146G	Control Box Bottom Plate / Platte / Plateau
146-1	PM-823599	Inverter / Frequenzumformer / Boitier électronique
146-2	PM-823146-2	Transformer / Transormator / Transformateur (PT57 S/SH/DS)
146-3	PM-823146-3	Fuse / Sicherungskasten / Boîte fusible
146-4	PM-823146-4	Relay / Relais / Relais
146-5	PM-823146-5	Terminal Connector / Klemmleiste (S/SH/DS)
146-6	PM-823146-6	Hex. Socket Cap Screw / Schraube / Vis
146-7	PM-823146-7	Grounding Plate / Erdungsklemme / Serrage terre
147	PM-823087	Hex.Socket Cap Screw / Schraube / Vis M5x8
148	PM-823148G	Control Box Cover / Abdeckung / Couvercle
149	PM-823149	Supporting Bracket / Halter / Support
149-1	PM-823149-1	Shaft Rod / Bolzen / Boulon
150	PM-827041	Set Screw / Schraube / Vis M6x12
150-1	PM-823077	Hex.Socket Cap Screw / Schraube / Vis M8x20
150-2	PM-823115	Spring Washer / Federring / Rondelle M8
151	PM-823151G	Reduction Unit / Getriebe / Boîte engrenage
151-1	PM-823151-1	Vent Screw / Oelschraube / Vis huile 16# PT-1/4"
152	PM-823152	Key / Keil / Clavette 8 x 7 x 30
153	PM-823153	Hex. Cap Bolt / Schraube / Vis M8x30
153-1	PM-823115	Spring Washer / Federring / Rondelle M8
154	PM-823154G	Motor / Motor / Moteur
154-1	PM-823154-1G	
155	PM-823155	Key / Keil / Clavette 8 x 7 x 40
186	PM-823064	Hex.Socket Cap Screw / Schraube / Vis M10x35
186-1	PM-823026	Spring Washer / Federring / Rondelle M10
193A	PM-823193-A	Saw Arm / Sägearm / Bras
193-1	PM-823118	Set Screw / Schraube / Vis M8x10
194	PM-823123	Hex. Socket Cap Screw / Schraube / Vis M10x30
194-1	PM-823026	Spring Washer / Federring / Rondelle M10
195	PM-823195	Limit Switch / Endschalter / Inter micro
195-1	PM-823195-1	Pin / Klemme / Serrage
196	PM-823196	Hex. Socket Cap Screw / Schraube / Vis M4x30
197	PM-823197	Hex.Socket Cap Screw / Schraube / Vis M10x45
197-1	PM-823026	Spring Washer / Federring / Rondelle M10
198A	PM-823198	Pipe Fitting Seat / Verteiler / Raccord
199	PM-823199	Hex.Socket Cap Screw / Schraube / Vis M5x16

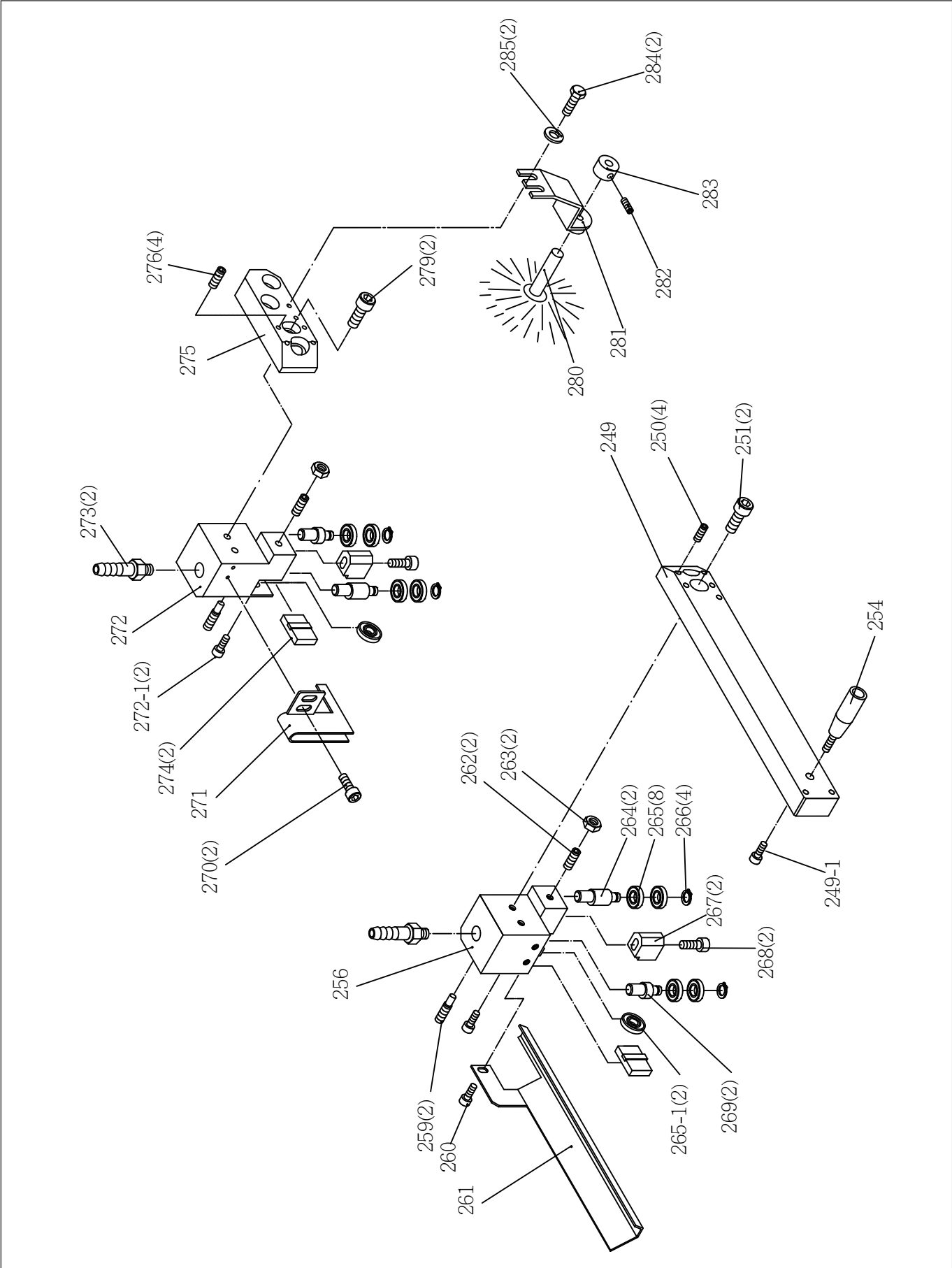
200	PM-823200	Coolant Switch / Kühlmittelhahn / Robinet 1/4x5/16
201	PM-823022	Hose Clamp / Briede / Collier 13mm
203	PM-823203	Pipe Fitting / Anschluss / Raccord 1/4Px5/16"
204	PM-823204	Hose / Schlauch / Tube 5/16"
205	PM-823205	Hose / Schlauch / Tube 5/16"
206	PM-823206	Drive Flywheel / Bandrad / Roue
207	PM-823207	Washer / Scheibe / Rondelle
207-1	PM-823026	Spring Washer / Federring / Rondelle M10
208	PM-823208	Hex.Socket Cap Screw / Schraube / Vis M10x25
209A	PM-823209-A	Idle Flywheel Shaft / Achse / Axe
210	PM-823210	Roller Bearing / Rollenlager /Roulement #32006
211	PM-823211	Idle Flywheel / Banfrad / Roue
212	PM-823212	Star Washer / Sicherungsscheibe / Rondelle M30
212-1	PM-823212-1	Anti-Dust Cover / Schutzdeckel /Protection 30mm
213	PM-823213	NUT / Mutter / Ecrou M30
214	PM-823214	Oil Inlet / Ölnippel / Huiler 1/16"
215	PM-823215	Saw blade / Sägeband / Lame 27*2460*0.9 5/8T
216	PM-823216	Blade Cover / Blattabdeckung / Couvercle
217	PM-823217	Plum screw / Schraube / Vis M6x10
219	PM-823219	Round Head Screw / Schraube / Vis M4x8
220	PM-823220	Nut / Mutter / Ecrou M4
222	PM-823222	Handle / Griff / Poignée
223	PM-823223G	Handle Wheel / Griffansch / Flasque poignée
223-1	PM-823223-1	Thrust Bearing / Drucklager / Roulement 51103
223-2	PM-823500	Blade Tension Gauge / Hydr. Band- spannung / Controle
224	PM-823224	Special Spring washer / Feder-scheibe / Rondelle ressort
225	PM-823225	Tension shaft / Welle / Axe M16x230
229	PM-823229	Plate / Platte / Plateau
230	PM-823230	Hex.Socket Cap Screw / Schraube / Vis M6x12
230-1	PM-823018-1	Flat Washer / Scheibe / Rondelle M6x13x1
231	PM-823231	Limit Switch / Endschalter / Inter micro AZ-8111
232	PM-823232	Hex- Socket Cap Bolt / Schraube / Vis M4x25
239	PM-823239	Nut / Mutter / Ecrou M16x2.0x24x8
240A	PM-823240A-1	Slide Bracket / Schlitten / Flasque de bande
240A-1	PM-823026	Spring Washer / Federring / Rondelle M10
240A-2	PM-823240A-3	Hex.Socket Cap Screw / Schraube / Vis M8x45
240A-3	PM-823240A-4	Set Screw / Schraube / Vis M10x25
244	PM-823244	Cover Plate / Abdeckung / Protection
245	PM-823260	Hex.Socket Cap Screw / Schraube /Vis M6x8
246	PM-823246	Gib / Führung / Guide
247	PM-823247	Spring Washer / Federring / Rondelle M8
248	PM-823130	Hex.Socket Cap Screw / Schraube /Vis M8x20
249	PM-823249	Blade Guide Movable Rod / Führung / Guide support
249-1	PM-823260	Hex.Socket Cap Screw / Schraube / Vis M6x8
250	PM-823250	Set Screw / Schraube / Vis M6x12
251	PM-823130	Hex.Socket Cap Screw / Schraube /Vis M8x20
252	PM-823252	Setting Bracket / Klammer / Serrage
253	PM-823253	Hex. Socket Cap Screw / Schraube / Vis M12x50
254	PM-823254	Handle / Griff / Poignée 6x60
256	PM-823256	Guide Bracket / Halter / Porte guide
257	PM-823257	Nozzle / Anschluss / Raccord
259	PM-823259	Set Screw / Schraube / Vis
260	PM-823260	Hex.Socket Cap Screw / Schraube /Vis M6x8
261	PM-823261	Blade Guard / Schutz / Protection
262	PM-827041	Set Screw / Vis / Schraube M6x12
263	PM-823263	Nut / Mutter / Ecrou M6
264	PM-823264	Centric Shaft / Exzenterwelle / Axe excentrique
265	855284	Ball Bearing / Kugellager /Roulement #608zz
265-1	855284	Ball Bearing / Kugellager / Roulement #608zz
266	PM-823266	E-Ring / Sicherungssing / Circlip
267	PM-823267	Blade Guide / HM Bandführung / Guide lame MD flexible
268	PM-823268	Hex.Socket Cap Screw / Schraube / Vis M6x25

269	PM-823269	Centric Shaft / Exzenterwelle /Axe excentrique
270	PM-823260	Hex.Socket Cap Screw / Schraube / Vis M6x8
271	PM-823271	Blade Guard / Schutz / Protection
272	PM-823272	Guide Bracket / Halter / Porte guide
272-1	PM-823260	Hex.Socket Cap Screw / Schraube /Vis M6x8
273	PM-823273	Pipe Fitting / Anschluss / Raccord 1/4Px5/16"
274	PM-823274	Blade Guide / HM Bandführung / Guide lame MD flexible
275	PM-823275	Ball Bearing Bracket / Halter / Support
276	PM-823276	Set Screw / Schraube / Vis M6x12
279	PM-823027	Hex.Socket Cap Screw / Schraube / Vis M10*20
280	PM-823280	Brush / Bürste / Brosse 1-1/2"
281	PM-823281	Brush Clamp / Halter / Support
282	PM-823282	Set Screw / Schraube / Vis M5x5
283	PM-823283	Set Bushing / Büchse / Palier
284	PM-823284	Hex. Cap Screw / Schraube / Vis M6x12
285	PM-827018-1	Flat Washer / Scheibe / Rondelle M6x13x1
286	PM-823286	Lead Screw / Spindel / Axe
286-1	PM-823286-1	Compressed Spring / Feder /Ressort 5x31x35mm
286-2	PM-823286-2	Hex. Socket Cap Screw / Schraube / Vis M8x16
286-3	PM-827004-2	Washer / Scheibe / Rondelle M8x23x2
287	PM-823287	Setting Seat / Flansch / Flasque
288	PM-823288	Lead screw seat / Spanngriff / Poignée
289	PM-823289	Bearing Bushing / Büchse / Palier
289-1	PM-923184	Ball Bearing / Drucklager /Roulement 51104
289-2	PM-823289-2	Nut / Mutter / Ecrou M20x30x9P1.5
289-3	PM-823282	Set Screw / Schraube / Vis M5x5
291N	HS 201402	Trigger Switch / Griff mit Schalter / Poignée avec inter
292N	PM-823292N	Pipe / Griffstange / Levier
	HS 201402A	Trigger Switch + Pipe (291N+292N)
293	PM-823031	Nut / Mutter / Ecrou M8
294	PM-823294	Spring Hook / Federhaken / Crochet ressort
295	PM-823295	Spring / Rückzugfeder /Ressort de rappel
296	PM-823296	Spring Seat / Halter / Support
297	PM-823297	Spring Bushing / Gehäuse / Carcasse
298	PM-823298	C-Ring / Sicherungsring / Circlip S-12
298-1	PM-823298-1	Flat Washer / Scheibe / Rondelle
299	PM-823299	Shaft / Bolzen / Axe
300	PM-823300	Pin / Bolzen / Goupille
301	PM-823072	Hollow Pin / Stift / Goupille 2.5x16
302	PM-823073	Spring / Feder / Ressort 0.8x9x30mm
303	PM-823303	Fork / Griff / Poignée 10x70
304	PM-823085	Nut / Mutter / Ecrou M10
305	PM-823305	Adjusting Bracket / Gabel / Fourchette
306	PM-823306	Shaft / Welle / Axe
307	PM-823307	Knob / Knopf / Bouton
307-1	PM-823307-1	Bushing / Büchse / Palier
308	PM-823308	Shaft / Bolzen / Boulon
309	PM-823309	Arm / Arm / Bras
310	PM-823310	C-Ring / Sicherungsring / Circlip S-12
311	PM-823311	Hex.Socket Cap Screw / Schraube / Vis M10x25
312	PM-823026	Spring Washer / Federring / Rondelle M10
313	PM-823313	Post / Halter / Support
314	PM-823314	Set Screw / Schraube / Vis M10x16
315	PM-823315	Hydraulic Cylinder Post / Halter /Support
316	PM-823316	Spring Washer / Federring / Rondelle M8
317	PM-823077	Hex.Socket Cap Screw / Schraube / Vis M8x25
318	PM-823318	Round Head Screw / Schraube / Vis M5x10
319	PM-823231	Limit Switch / Endschalter / Inter micro AZ-8111
320	PM-823260	Hex.Socket Cap Screw / Schraube /Vis M6x8
320-1	PM-823018-1	Flat Washer / Scheibe / Rondelle M6x13x1
321A	PM-823321-A	Adjusting Bracket / Halter / Support
322A	PM-823322-A	Hydraulic Cylinder / Hydraulik- zylinder / Cylindre hydraulique
323	PM-823323	Hex. Socket Cap Screw / Schraube /Vis M10x40
324	PM-823085	Nut / Mutter / Ecrou M10









001	PM-827001G	Base(Bottom Plate)/ Grundplatte / Base
002	PM-827002G	Base(Left Part) / Seitenwand L /Paroi G
002-1	PM-827002-1	Nut / Mutter / Ecrou M8
003	PM-827003G	Base(Rigth Part) / Seitenwand R /Paroi D
004	PM-827004G	Base (Front Part) / Seitenwand / Paroi
004-1	PM-823012	Hex.Cap Bolt / Schraube / Vis M8x16
004-2	PM-827004-2	Washer / Scheibe / Rondelle M8x18x2
005	PM-827005	Hex. Cap Bolt / Schraube / Vis M12x40
006	PM-823062	Nut / Mutter / Ecrou M12
008	PM-823012	Hex.Cap Bolt / Schraube / Vis M8x16
008-1	PM-827004-2	Washer / Scheibe / Rondelle M8x18x2
009	PM-823009G	Plate / Abdeckung / Couvercle
010	PM-827010	Hex.Socket / Schraube / Vis Cap Screw M5x8
011	PM-823011G	Coolant Tank / Behälter / Réservoir
012	PM-827012	Hex.Cap Bolt / Schraube / Vis M8x16
013	PM-827013	Coolant Gauge / Anzeige / Verre niveau
013-1	PM-823013-1	Nut / Mutter / Ecrou M10
013-2	PM-823013-2	Washer / Scheibe / Rondelle M10
014	PM-823014	Hex. Cap Bolt / Schraube / Vis
015	PM-823015G	Tank Cover / Platte / Plaque
016	PM-823016	Filter / Filter / Filtre
017	PM-823017	Pump / Pumpe / Pompe
018	PM-823018	Hex.Socket Cap Screw / Schraube /Vis M6x25
018-1	PM-827018-1	Flat Washer / Scheibe / Rondelle M6x13x1
022	PM-823022	Hose Clamp / Briede / Collier 13mm
023	PM-827023	Hose / Schlauch Tube 5/16"
023-1	PM-827023-1	Hose / Schlauch / Tube 1"
24A	PM-827024	Coolant and chip Tray / Spänewanne / Puces baignoire
024-1	PM-827024-1G	Block Plate / Platte / Plaque
024-2	PM-827024-2	Screw / Schraube / Vis
024-3	PM-827024-3	Nut / Mutter / Ecrou
024-4A	PM-827024-4	Plate / Platte / Plaque
025	PM-823025	Mounting Bracket / Flansch / Support
026	PM-823026	Spring Washer / Federring / Rondelle M10
027	PM-823027	Hex.Socket Cap Screw / Schraube /Vis M10x20
028	PM-823028	Flat Washer / Scheibe / Rondelle M10x25x2
029	PM-823029	Hex. Socket Cap Screw / Schraube / Vis M10x20
029-1	PM-823028	Flat Washer / Scheibe / Rondelle M10x25x2
030	PM-823005	Hex. Cap Bolt / Schraube / Vis M12x40
031	PM-823031	Nut / Mutter / Ecrou M12
037-1	PM-823037-1	Plug / Stopfen / Truc (HP16,19,22,25)
037-2	PM-823037-2	Plug / Stopfen / Truc (HP16,19,22,25)
038-1	PM-823038-1	Plug / Stopfen / Truc (HP16,19,22,25)
039	PM-823039	Track / Flansch / Support
040	PM-827040	Hex.Socket Cap Screw / Schraube / Vis M8x35
040-1	PM-827002-1	Nut / Mutter / Ecrou M8
040-2	PM-823115	Spring Washer / Federring / Rondelle M8
041	PM-827041	Set Screw / Schraube / Vis M6x12
042	PM-823042	Washer / Scheibe / Rondelle
043	PM-823043	Handle / Feststellgriff / Poignée M8x25
044	PM-823044	Roller Stand / Halter / Support
045	PM-823045	Hex. Cap Bolt / Schraube / Vis M12x25
046	PM-823046	Spring Washer / Federring / Rondelle M12
046-1	PM-823046-1	Washer / Scheibe / Rondelle M12x28x3
047	PM-823047	Roller / Rolle / Rouleau
048	PM-823048	Ball Bearing / Kugellager / Roulement 6004ZZ
048-1	PM-823048-1	C-Ring / Sicherungsring / Circlip S-20
049	PM-823049	Roller Shaft / Welle / Axe
050	PM-823027	Hex.Socket Cap Screw / Schraube /Vis M10x20
050-1	PM-823026	Spring Washer / Federring / Rondelle M10
061	PM-823061	Handle / Griff / Poignée
062	PM-823062	Nut / Mutter / Ecrou M12

063	PM-827063	Locking Lever / Spannhebel / Levier
063-1	PM-823314	Set Screw / Schraube / Vis M10x16
064	PM-823064	Hex.Socket Cap Screw / Schraube / Vis M10x35
064-1	PM-823026	Spring Washer / Federring / Rondelle M10
065	PM-823065G	Shaft Nut / Mutter / Ecrou
065-1	PM-823065-1	Oil Seal / O-Ring / O-ring 4mmx675Lmm
065-3	PM-827065-3	Disk / Drehflansch / Support
065-4	PM-823115	Spring Washer / Federring / Rondelle M8
065-5	PM-823065-5	Hex. Socket Cap Screw / Schraube / Vis M8x30
066A	PM-827066-A	Shaft / Achswelle / Arbre
068	PM-827068G	Swivel Arm / Drehteil / Support bras
068-1	PM-823068-1	Hex. Cap Bolt / Schraube / Vis
069	PM-827069	Scale / Skala / Scale
069-1		
070	PM-823070	Rivet/ Niete / Rivet 2.3x4
071	PM-823071	Pin / Stift / Goupille
072	PM-827072	Hollow Pin / Stift / Goupille 2.5x16
073	PM-823073	Spring / Feder / Ressort 0.8x9x30MM
074	PM-823074	Bushing / Büchse / Boîte
075	PM-823075	Bracket / Halter / Support
076	PM-823115	Spring Washer / Federring / Rondelle M8
077	PM-823077	Hex.Socket Cap Screw / Schraube / Vis M8x25
078	PM-823078	Knob / Griff / Bouton
079	PM-827079	Jam Nut / Mutter / Ecrou M35
080	PM-827080	Star Washer / Sicherungsscheibe / Rondelle M35
081	PM-823081	Anti-Dust Cover / Abdeckung / Couvercle M35
082	PM-823082	Ball Bearing / Rollenlager / Roulement #32007
083A	PM-827083	Shaft / Welle / Axe
084	PM-827084	Hex. Cap Bolt / Schraube / Vis
085	PM-823085	Nut / Mutter / Ecrou M10
086A	PM-823086-A	Indicator / Pfeil / Flèche
087	PM-823087	Hex.Socket Cap Screw / Schraube / Vis M5x8
088-1	PM-827088-1	Hollow Pin / Stift / Goupille 2.5x20
088-2	PM-823118	Set Screw / Schraube / Vis M8x10
088A	PM-827088-A	Cover / Schutzplatte / Couvercle
89		
089-1	PM-823130	Hex.Socket Cap Screw / Schraube / Vis M8x20
092-1	PM-827041	Set Screw / Schraube / Vis M6x12
092-2	PM-827092-2G	Changeable Plate / Tischeinsatz- platte / Plate insert table
092-3	PM-823286-2	Hex. Socket Cap Screw / Schraube / Vis M8x16
092A	PM-827092-AG	Table / Tisch / Table
094	PM-823094	Bar-Stop-Rod / Anschlagstange / Guide barre
095A	PM-823095A	
095-1	PM-827002-1	Nut / Mutter / Ecrou M8
095-2	PM-823077	Hex.Socket Cap Screw / Schraube / Vis M8x25
095-4	PM-823095-4	Stop Bar / Anschlag / Guide
096	PM-823043	Handle / Feststellgriff / Poignée
097	PM-823097	Scale / Messband / Scale
098	PM-823098	Rivet / Niete / Rivet
099	PM-827099	Chip Gutter / Späneabweiser / Canal
100	PM-827100	Hex. Socket Cap Screw / Schraube / Vis M6x8
102	PM-827099	No-Burr Jaw / Spannstockbacke / Mâchoire étau
103	PM-823103	Hex. Socket Cap Screw / Schraube / Vis
104	PM-827104	Counter Vise Jaw / Spannbacke / Mâchoire étau
105	PM-827105	Hex. Socket Cap Screw / Schraube / Vis
106	PM-827106	Vise Jaw / Spannbacke / Mâchoire étau
107	PM-823107	Flat Head Machine Screw / Schraube / Vis M6x16
108A	PM-827108-AG	Vise / Spannstock / Etau
109	PM-823109	Dove tail Plate / Einstellleiste / Guide
110	PM-823110	Nut / Mutter / Ecrou M5
111	PM-823111	Set Screw / Schraube / Vis M5x25
113	PM-823112	Key / Keil / Clavette 5x5x15

115	PM-823115	Spring Washer / Federring / Rondelle M8
116	PM-823130	Hex.Socket Cap Screw / Schraube /Vis M8x20
117	PM-823117	Hand Wheel / Handrad / Manivelle 6 1/2"
117-1	PM-82117-1	Spring Washer / Federring / Rondelle M6
117-2	PM-823018	Hex.Socket Cap Screw / Schraube /Vis M6x25
117-3	PM-823117-3	Bushing / Büchse / Douille
118	PM-823118	Set Screw / Schraube / Vis M8x10
120A	PM-827120G	Vise Seat / Spannstock Grundstock /Eteu fixe
122	PM-823122	Vise Setting Plate / Flansch / Flasque
123	PM-827123	Hex. Socket Cap Screw / Schraube /Vis M10x30
124	PM-827124	Setting Washer / Scheibe / Rondelle
125	PM-823125	Lock Lever Device / Spannbolzen /Axe blocage M16x190
127	PM-823127	Handle / Griff / Poignée 1/2"
128	PM-827128	Setting Plate / Platte / Support
129	PM-823129	Bushing / Büchse / Douille
130	PM-823130	Hex.Socket Cap Screw / Schraube /Vis M8x20
130-1	PM-823115	Spring Washer / Federring / Rondelle M8
131	PM-823131G	Electric Box Holder / Halter / Support
132	PM-823115	Spring Washer / Federring / Rondelle M8
133	PM-823130	Hex.Socket Cap Screw / Schraube /Vis M8x20
135	PM-823208	Hex.Socket Cap Screw / Schraube /Vis M10x25
136	PM-823026	Spring Washer / Federring / Rondelle M10
137	PM-827137G	Support / Halter / Support
137-1	PM-823137-1	Hex.Socket Cap Screw / Schraube /Vis M5x7
138	PM-823138G	Control Box Bottom Part / Gehäuse-unterteil / Carcasse plafond
139	PM-823139	Control Box Panel / Fronttafel /Panneau
139-1	PM-823139-1	Blade Speed Indicator / Digitale Anzeige / Display digital
139-2	PM-823139-2	Hex.Socket Cap Screw / Schraube /Vis
139-3	PM-823139-3	Round Head Screw / Schraube / Vis M5x8
140	PM-823140	Manual/Auto Selector / Wahlschalter auto.- manual / Inter auto. - manuel
141	PM-823141	Blade Speed Knob / Drehzahlregler / Inter vitesse
142	PM-823142	Emergency Switch / Notausschalter / Inter de sécurité
143	PM-823143	Main Connect Switch / Hauptschalter/ Inter pricipal
144	PM-823144	Start Push Button / Starttaster / Inter Start (SH/DS)1A
145	PM-823145	Power Indicator Light / Kontroll-leuchte / Lampe de controle
146	PM-827146G	Control Box Bottom Plate / Platte /Plateau
146-1	PM-823599	Inverter / Frequenzumformer / Boitier électronique
146-2	PM-823146-2	Transformer / Transormator /Transformateur (PT57 S/SH/DS)
146-3	PM-823146-3	Fuse / Sicherungskasten / Boîte fusible
146-4	PM-823146-4	Relay / Relais / Relais
146-5	PM-823146-5	Terminal Connector / Klemmleiste (S/SH/DS)
146-6	PM-823146-6	Hex. Socket Cap Screw / Schraube /Vis
146-7	PM-823146-7	Grounding Plate / Erdungsklemme /Serrage terre
147	PM-823087	Hex.Socket Cap Screw / Schraube /Vis M5x8
148	PM-823148G	Control Box Cover / Abdeckung /Couvercle
149	PM-823149	Supporting Bracket / Halter / Support
149-1	PM-823149-1	Shaft Rod / Bolzen / Boulon
150	PM-827041	Set Screw / Schraube / Vis M6x12
150-1	PM-823077	Hex.Socket Cap Screw / Schraube /Vis M8x25
150-2	PM-823115	Spring Washer / Federring / Rondelle M8
151	PM-827151G	Reduction Unit / Getriebe / Boîte engrenage
151-1	PM-823151-1	Vent Screw / Oelschraube / Vis huile
152	PM-823152	Key / Keil / Clavette
153	PM-823153	Hex. Cap Bolt / Schraube / Vis
153-1	PM-823115	Spring Washer / Federring / Rondelle M8
154	PM-827154G	Motor / Motor / Moteur
154-1	PM-827154-1G	
155	PM-823155	Key / Keil / Clavette
186	PM-823064	Hex.Socket Cap Screw / Schraube /Vis M10x35
186-1	PM-823026	Spring Washer / Federring / Rondelle M10
193-1	PM-823118	Set Screw / Schraube / Vis M8x10
193B	PM-827193-A	Saw Arm / Sägearm / Bras

194	PM-823123	Hex. Socket Cap Screw / Schraube / Vis M10x30
194-1	PM-823026	Spring Washer / Federring / Rondelle M10
195	PM-823195	Limit Switch / Endschalter / Inter micro
195-1	PM-823195-1	Pin / Klemme / Serrage
196	PM-823196	Hex. Socket Cap Screw / Schraube / Vis
197	PM-823197	Hex.Socket Cap Screw / Scharube / Vis M10x35
197-1	PM-823026	Spring Washer / Federring / Rondelle M10
198A	PM-823198	Pipe Fitting Seat / Verteiler / Raccord
199	PM-823199	Hex.Socket Cap Screw / Schraube / Vis M5x30
200	PM-823200	Coolant Switch / Kühlmittelhahn / Robinet 1/4x5/16"
201	PM-823022	Hose Clamp / Briede / Collier 13mm
203	PM-823203	Pipe Fitting / Anschluss / Raccord 1/4Px5/16"
204	PM-823204	Hose / Schlauch / Tube 5/16"
205	PM-823205	Hose / Schlauch / Tube 5/16"
206	PM-827206	Drive Flywheel / Bandrad / Roue
207	PM-823207	Washer / Scheibe / Rondelle
207-1	PM-823026	Spring Washer / Federring / Rondelle M10
208	PM-823208	Hex.Socket Cap Screw / Schraube / Vis M10x25
209A	PM-827209-A	Idle Flywheel Shaft / Achse / Axe
210	PM-823210	Roller Bearing / Rollenlager / Roulement #32006
211	PM-827211	Idle Flywheel / Banfrad / Roue
212	PM-823212	Star Washer / Sicherungsscheibe / Rondelle M30
212-1	PM-823212-1	Anti-Dust Cover / Schutzdeckel / Protection 30mm
213	PM-823213	Nut / Mutter / Ecrou
214	PM-823214	Oil Inlet / Ölnippel / Huiler 1/16"
215A	-	Saw blade / Sägeband / Lame
216A-1	PM-827216-A1	Extension / Halter / Support
216A-2	PM-827216-A2	Screw / Schraube / Vis
216B	PM-827216	Blade Cover / Blattabdeckung / Couvercle
217	PM-823217	Plum screw / Schraube / Vis M6x10
219	PM-823219	Round Head Screw / Schraube / Vis M4x8
220	PM-823220	Nut / Mutter / Ecrou M4
222	PM-823222	Handle / Griff / Poignée
223	PM-823223G	Handle Wheel / Griffhansch / Flasque poignée
223-1	PM-823223-1	Thrust Bearing / Drucklager / Roulement 51103
223-2	PM-823500	Blade Tension Gauge / Hydr. Band- spannung / Controlle pression hydraulique
224	PM-823224	Special Spring washer / Feder- scheibe / Rondelle ressort
225	PM-827225	Tension shaft / Welle / Axe M16x230
229	PM-823229	Plate / Platte / Plateau
230	PM-823230	Hex.Socket Cap Screw / Schraube / Vis M6x12
230-1	PM-823018-1	Flat Washer / Scheibe / Rondelle M6x13x1
231	PM-823231	Limit Switch / Endschalter / Inter micro AZ-8111
232	PM-823232	Hex- Socket Cap Bolt / Schraube / Vis M4x25
239	PM-823239	Nut / Mutter / Ecrou M16x2.0x24x8
240A	PM-823240A-1	Slide Bracket / Schlitten / Flasque de bande
240A-1	PM-823026	Spring Washer / Federring / Rondelle M10
240A-2	PM-823240A-3	Hex.Socket Cap Screw / Schraube / Vis
240A-3	PM-823240A-4	Set Screw / Schraube / Vis M10x25
244	PM-823244	Cover Plate / Abdeckung / Protection
245	PM-823260	Hex.Socket Cap Screw / Schraube / Vis M6x8
246	PM-823246	Gib / Führung / Guide
247	PM-823247	Spring Washer / Federring / Rondelle M8
248	PM-823130	Hex.Socket Cap Screw / Schraube / Vis M8x20
249	PM-823249	Blade Guide Movable Rod / Führung / Guide support
249-1	PM-823260	Hex.Socket Cap Screw / Schraube / Vis M6x8
250	PM-827041	Set Screw / Schraube / Vis M6x12
251	PM-823130	Hex.Socket Cap Screw / Schraube / Vis M8x20
252	PM-823252	Setting Bracket / Klammer / Serrage
253	PM-823253	Hex. Socket Cap Screw / Schraube / Vis M12x50
254	PM-823254	Handle / Griff / Poignée 6x60
256	PM-823256	Guide Bracket / Halter / Porte guide
259	PM-823259	Set Screw / Schraube / Vis

260	PM-823260	Hex.Socket Cap Screw / Schraube / Vis M6x8
261	PM-823261	Blade Guard / Schutz / Protection
262	PM-827041	Set Screw / Vis / Schraube M6x12
263	PM-823263	Nut / Mutter / Ecrou M6
264	PM-823264	Centric Shaft / Exzenterwelle / Axe excentrique
265	855284	Ball Bearing / Kugellager / Roulement #608zz
265-1	855284	Ball Bearing / Kugellager / Roulement #608zz
266	PM-823266	E-Ring / Sicherungssing / Circlip
267	PM-823267	Blade Guide / HM Bandführung / Guide lame MD flexible
268	PM-823268	Hex.Socket Cap Screw / Schraube / Vis M6x25
269	PM-823269	Centric Shaft / Exzenterwelle / Axe excentrique
270	PM-823260	Hex.Socket Cap Screw / Schraube / Vis M6x8
271	PM-823271	Blade Guard / Schutz / Protection
272	PM-823272	Guide Bracket / Halter / Porte guide
272-1	PM-823260	Hex.Socket Cap Screw / Schraube / Vis M6x8
273	PM-823273	Pipe Fitting / Anschluss / Raccord 1/4PX5/16"
274	PM-823274	Blade Guide / HM Bandführung / Guide lame MD flexible
275	PM-827275	Ball Bearing Bracket / Halter / Support
276	PM-827041	Set Screw / Schraube / Vis M6x12
277	PM-823027	Hex.Socket Cap Screw / Schraube / Vis M10x20
279	PM-823130	Hex.Socket Cap Screw / Schraube / Vis M8x20
280	PM-823280	Brush / Bürste / Brosse 1 1/2"
281	PM-823281	Brush Clamp / Halter / Support
282	PM-823282	Set Screw / Schraube / Vis M5x5
283	PM-823283	Set Bushing / Büchse / Palier
284	PM-823284	Hex. Cap Screw / Schraube / Vis M6x12
285	PM-827018-1	Flat Washer / Scheibe / Rondelle M 6x13x1
286-1	PM-823286-1	Compressed Spring / Feder / Ressort 5x31x35mm
286-2	PM-823286-2	Hex. Socket Cap Screw / Schraube / Vis M8x16
286-3	PM-827004-2	Washer / Scheibe / Rondelle M8x18x1
286A	PM-827286	Lead Screw / Spindel / Axe
287	PM-823287	Setting Seat / Flansch / Flasque
288	PM-823288	Lead screw seat / Spanngriff / Poignée
289	PM-823289	Bearing Bushing / Büchse / Palier
289-1	PM-923184	Ball Bearing / Drucklager / Roulement 51104#
289-2	PM-823289-2	Nut / Mutter / Ecrou M20x30x9P1.5
289-3		
291N	HS 201402	Trigger Switch / Griff mit Schalter / Poignée avec inter
292N	PM-823292N	Pipe / Griffstange / Levier
	HS 201402A	Trigger Switch + Pipe (291N+292N)
293	PM-823031	Nut / Mutter / Ecrou M12
294	PM-827294	Spring Hook / Federhaken / Crochet ressort
295	PM-827295	Spring / Rückzugfeder / Ressort de rappel
296	PM-823296	Spring Seat / Halter / Support
297	PM-823297	Spring Bushing / Gehäuse / Carcasse
298	PM-823298	C-Ring / Sicherungsring / Circlip S-12
298-1	PM-823298-1	Flat Washer / Scheibe / Rondelle
299	PM-823299	Shaft / Bolzen / Axe
300	PM-823300	Pin / Bolzen / Goupille
301	PM-823072	Hollow Pin / Stift / Goupille 2.5x16
302	PM-823073	Spring / Feder / Ressort 0.8x9x30mm
303	PM-823303	Fork / Griff / Poignée 10x70
304	PM-823085	Nut / Mutter / Ecrou M10
305	PM-823305	Adjusting Bracket / Gabel / Fourchette
306	PM-823306	Shaft / Welle / Axe
307	PM-823307	Knob / Knopf / Bouton
307-1	PM-823307-1	Bushing / Büchse / Palier
308	PM-823308	Shaft / Bolzen / Boulon
309	PM-823309	Arm / Arm / Bras
310	PM-823310	C-Ring / Sicherungsring / Circlip S-12
311	PM-823311	Hex.Socket Cap Screw / Schraube / Vis M10x25
312	PM-823026	Spring Washer / Federring / Rondelle M10

313	PM-823313	Post / Halter / Support
314	PM-823314	Set Screw / Schraube / Vis M10x16
315	PM-823315	Hydraulic Cylinder Post / Halter / Support
316	PM-823316	Spring Washer / Federring / Rondelle M8
317	PM-823077	Hex.Socket Cap Screw / Schraube / Vis M8x25
318	PM-823318	Round Head Screw / Schraube / Vis M5x10
319	PM-823231	Limit Switch / Endschalter / Inter micro AZ-8111
320	PM-823260	Hex.Socket Cap Screw / Schraube / Vis M6x8
320-1	PM-823018-1	Flat Washer / Scheibe / Rondelle M 6x13x1
321A	PM-823321-A	Adjusting Bracket / Halter / Support
322A	PM-827322-A	Hydraulic Cylinder / Hydraulik-zylinder / Cylindre hydraulique
323	PM-823323	Hex. Socket Cap Screw / Schraube / Vis M10x40
324	PM-823085	Nut / Mutter / Ecrou M10

PROMAC®

Garantie

Wir gewähren Ihnen auf den unten eingetragenen Artikeln Garantie auf die Dauer von 24 Monaten ab Laufdatum. Einzige Voraussetzung: dieses ausgefüllte persönliche Garantie-Zertifikat muss der zur Reparatur eingesandten Maschine beigelegt sein.

Par ce document nous nous engageons à réparer l'article mentionné ci-dessous en garantie pendant une période de 24 mois à partir de la date d'achat. Cette garantie ne sera pas honorée si ce certificat dûment complété n'est pas renvoyé avec la machine en question pour toute réparation.

Modell / Modèle

Namen und Anschrift des Käufers / Nom et adresse de l'acheteur

Serie-Nr. / N° de série

Kaufdatum / Date de l'achat

Händler-Stempel

Cachet du revendeur