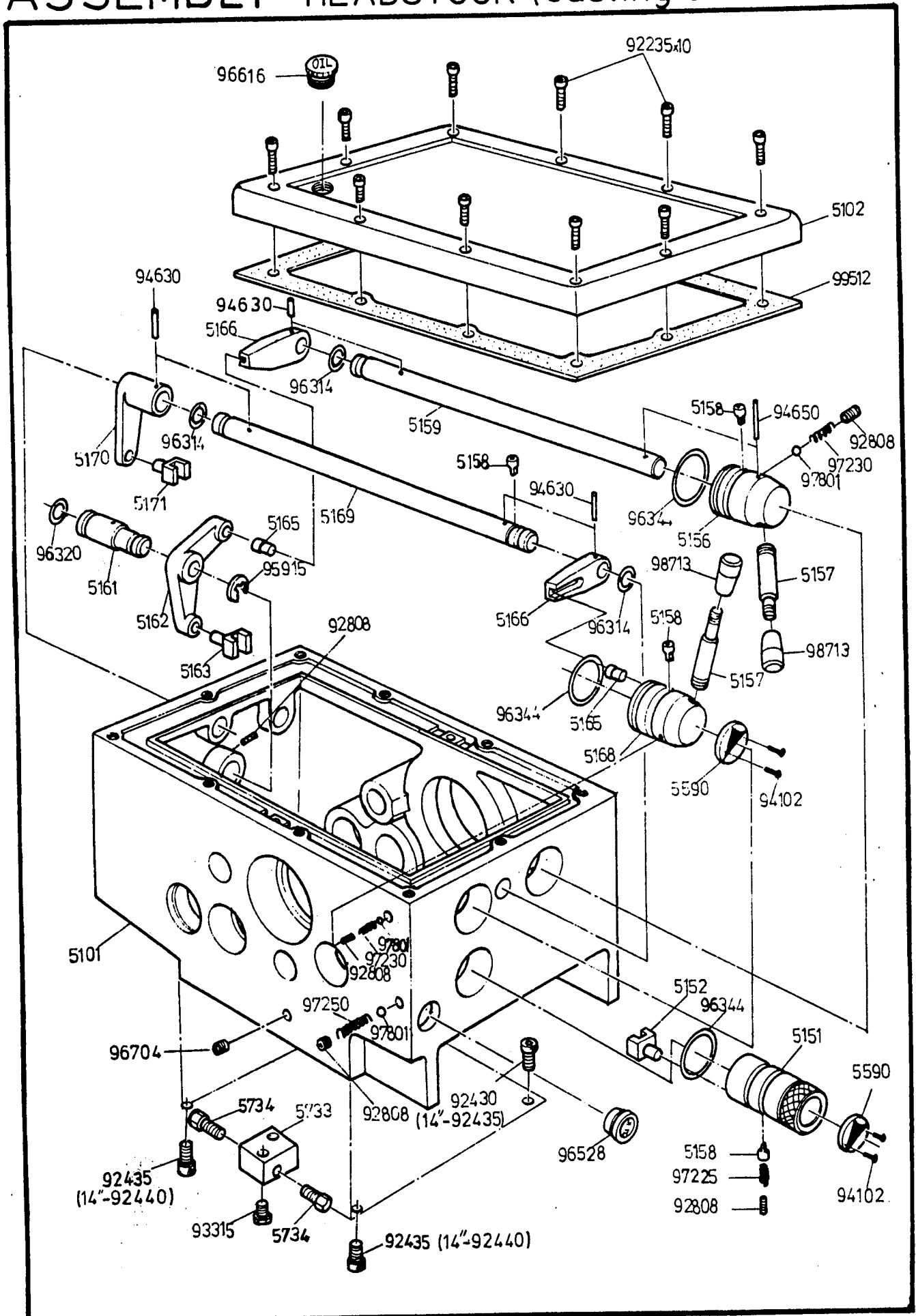
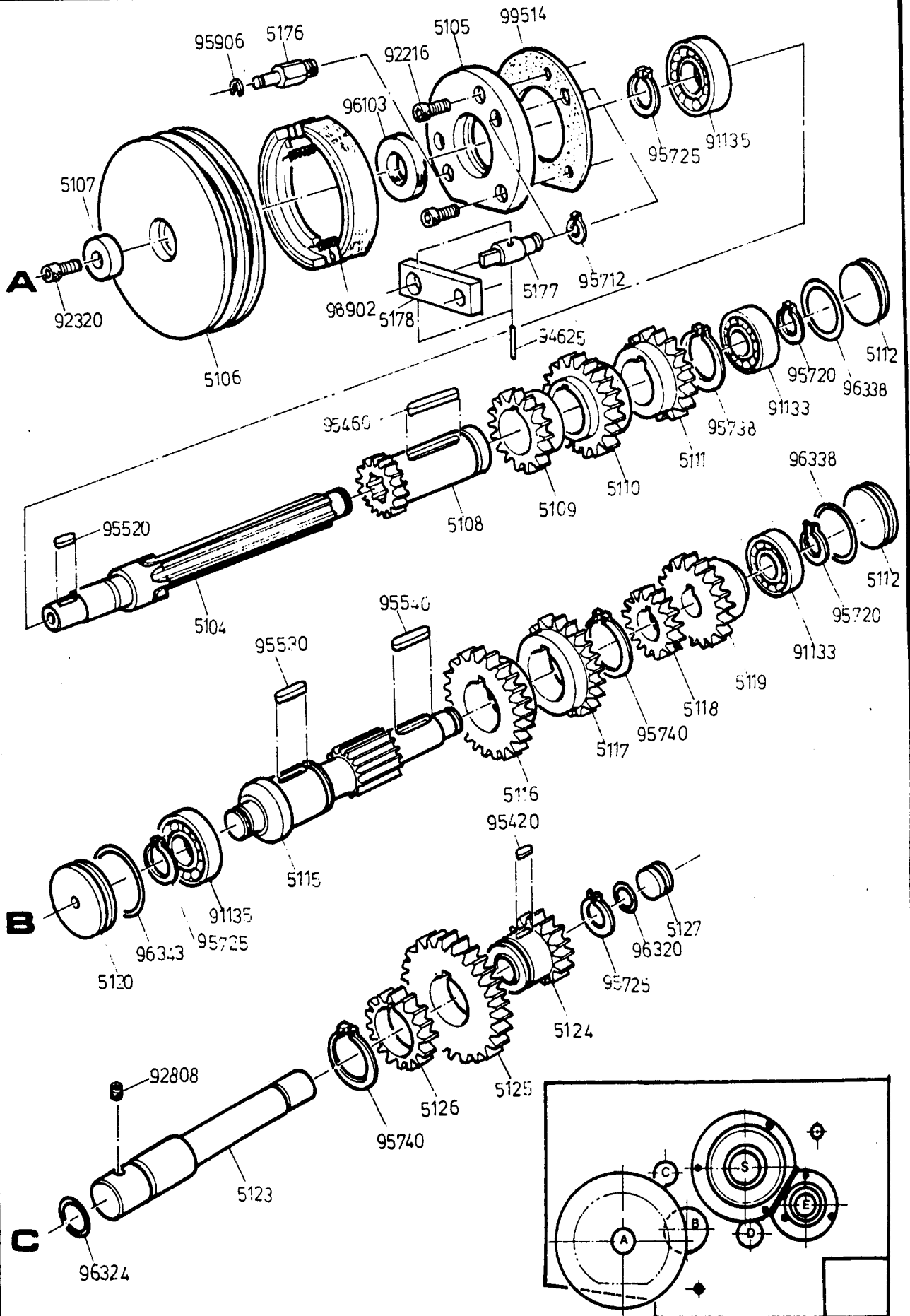


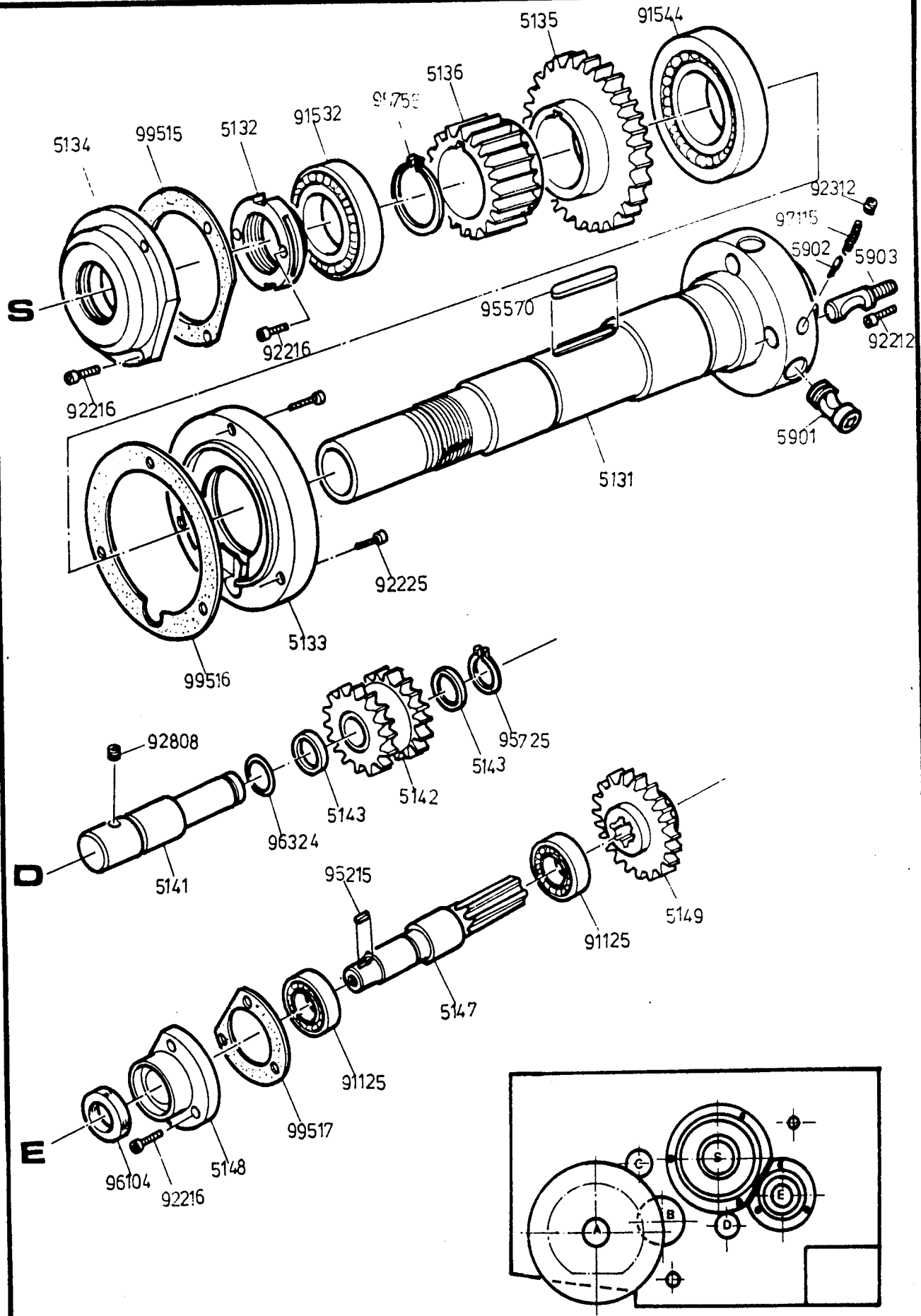
ASSEMBLY HEADSTOCK (Casting & Controls)



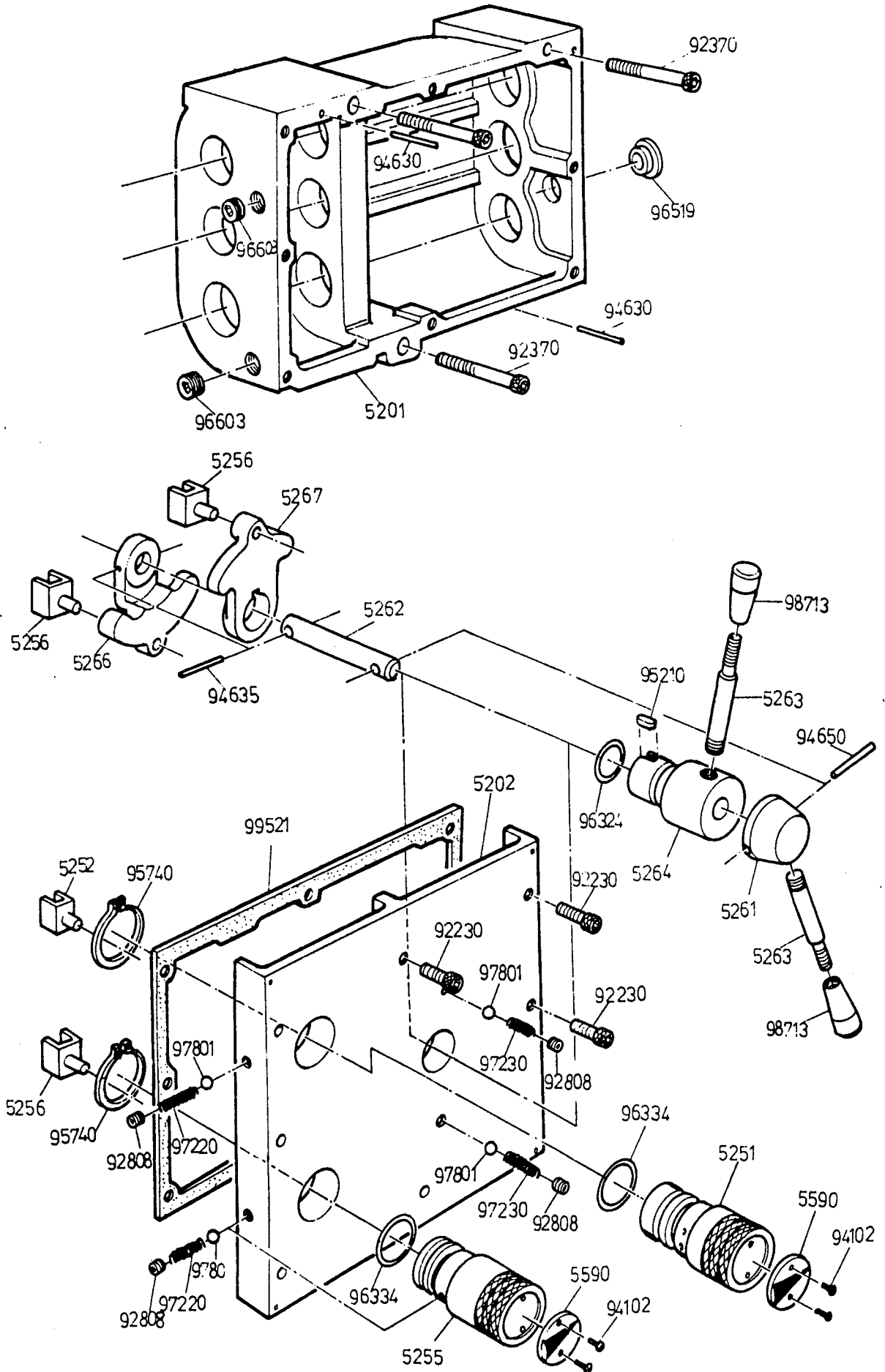
ASSEMBLY HEADSTOCK (Gears)



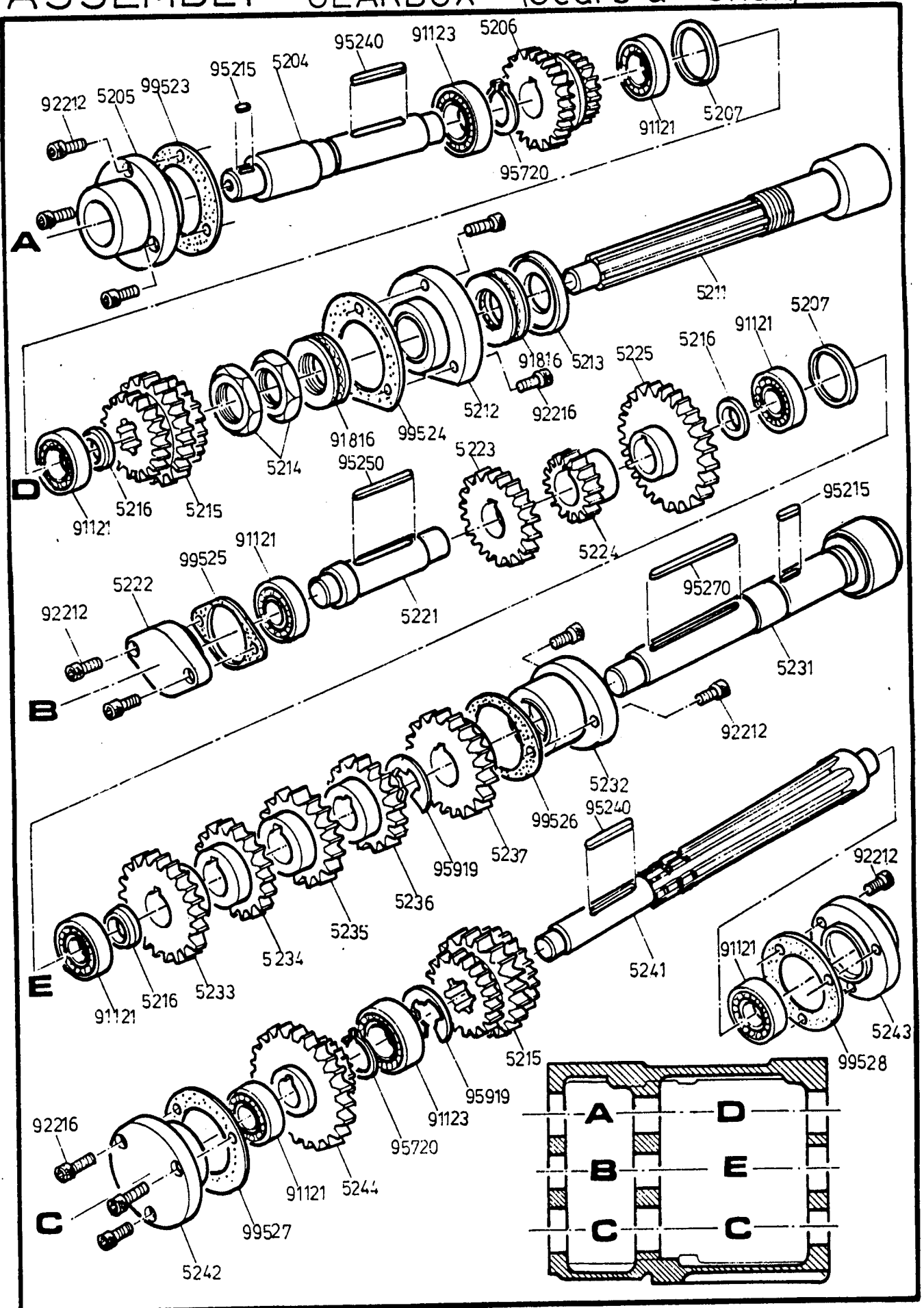
ASSEMBLY HEADSTOCK (Spindle & Gears)



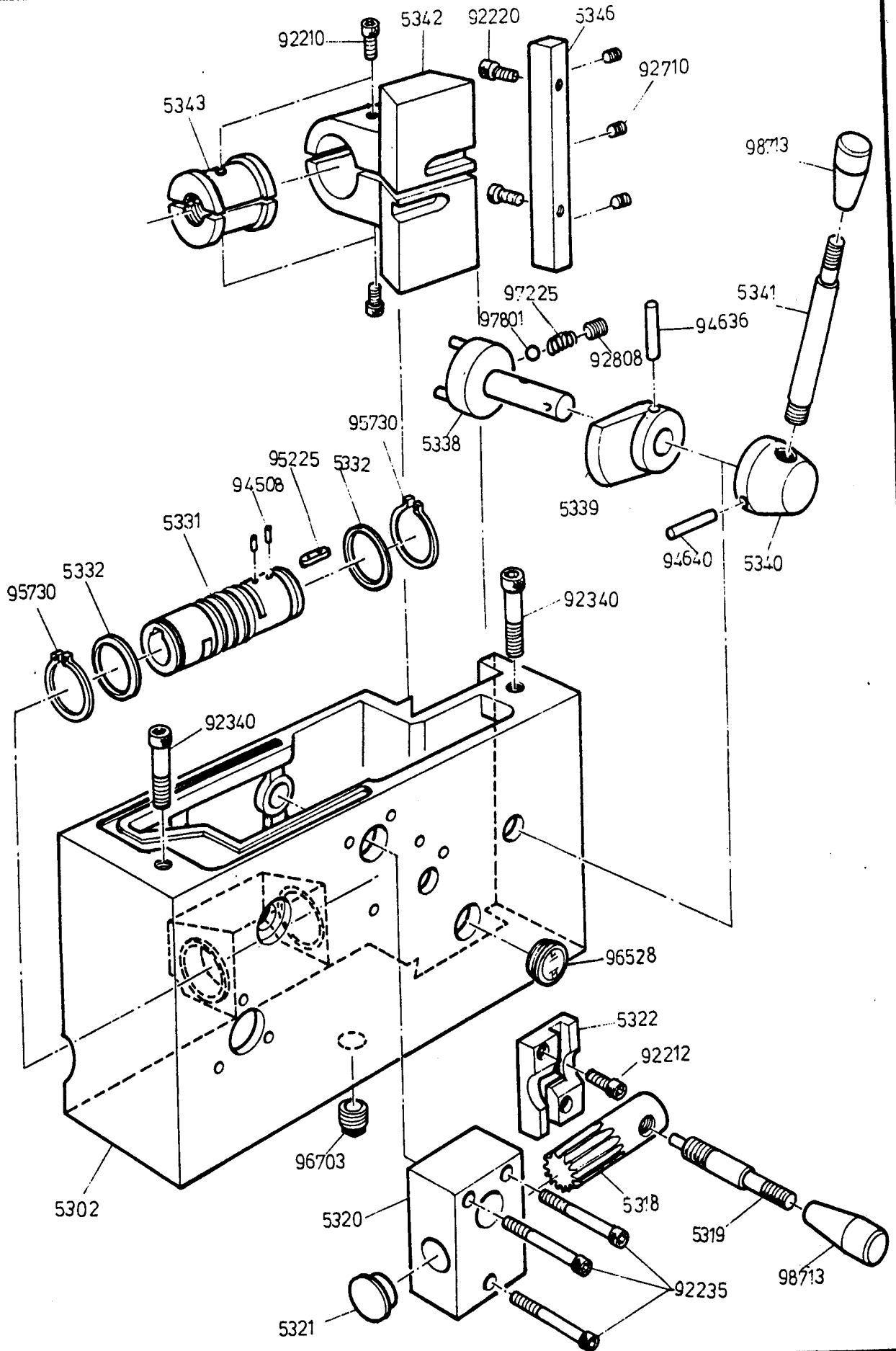
ASSEMBLY GEARBOX (Casting & Controls)



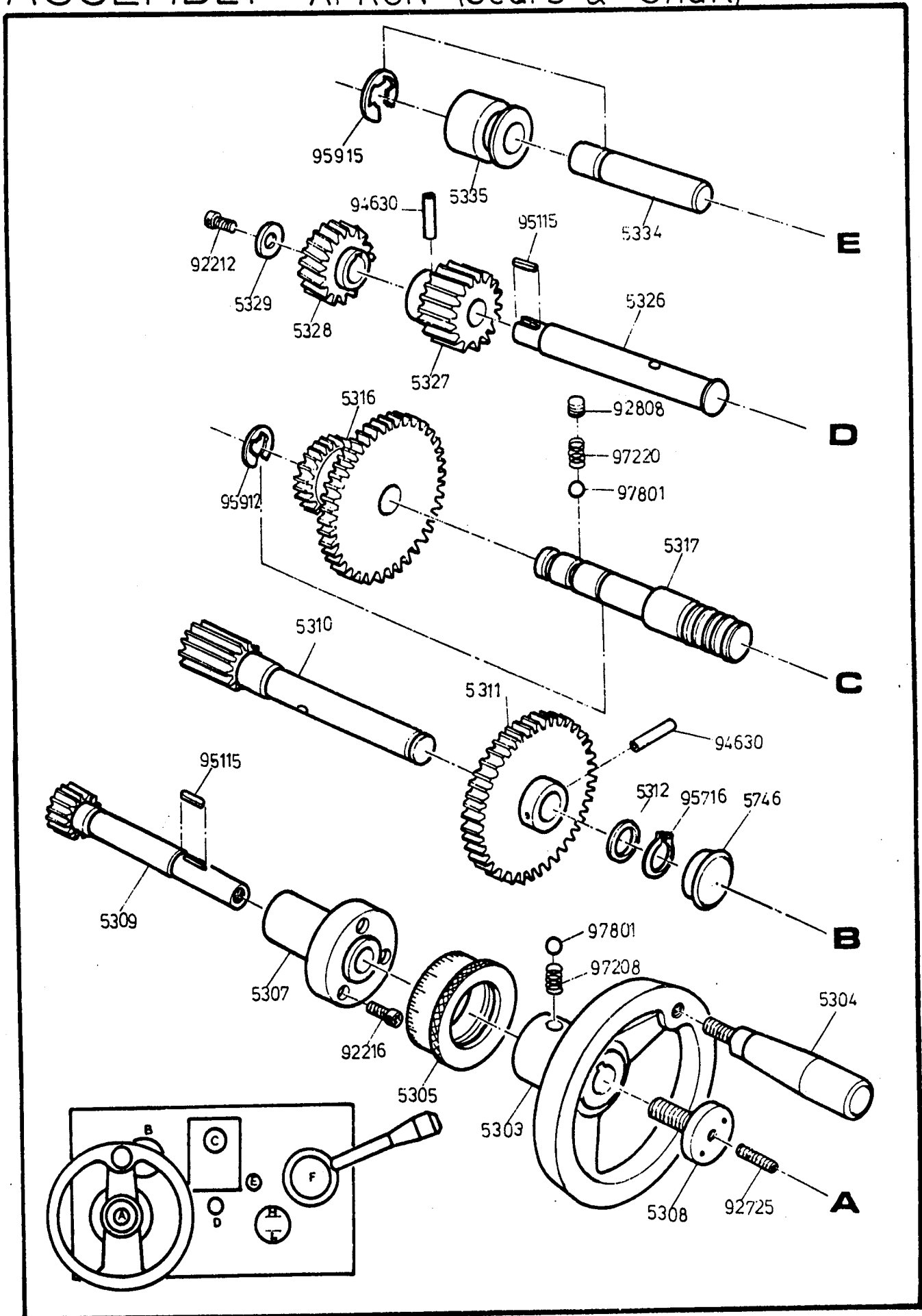
ASSEMBLY GEARBOX (Gears & Shaft)



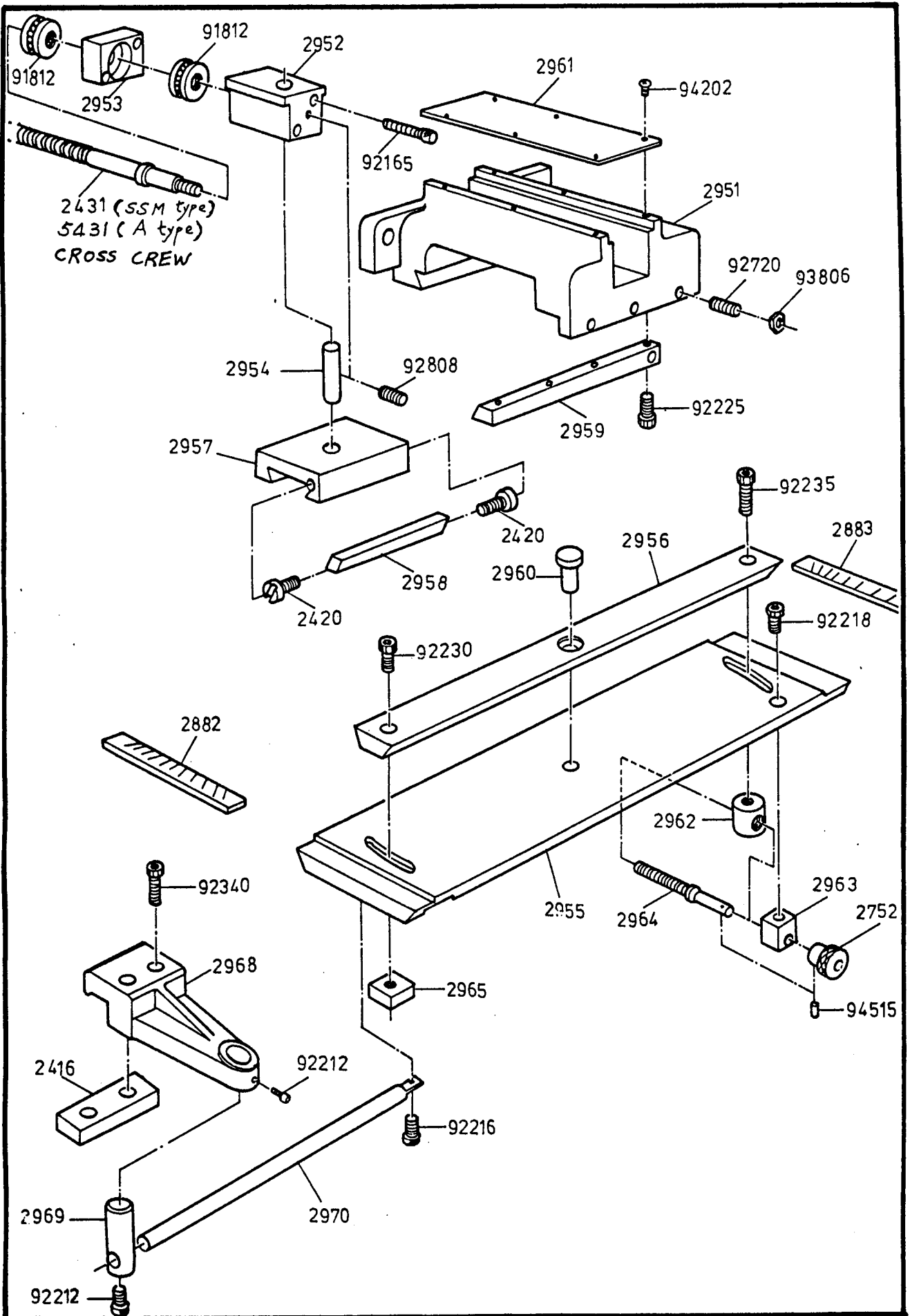
ASSEMBLY APRON (Casting)



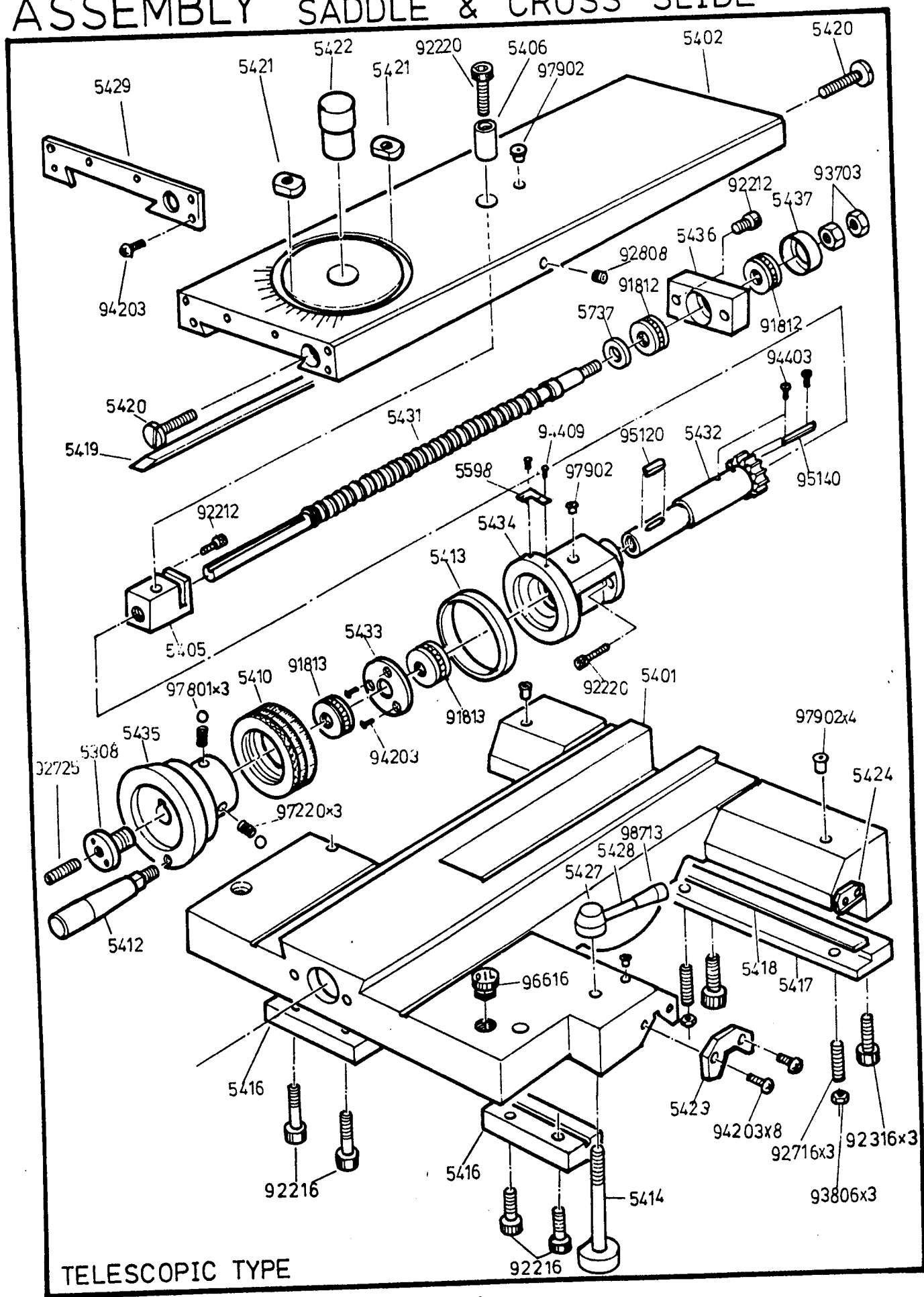
ASSEMBLY APRON (Gears & Shaft)



TAPER ATTACHMENT

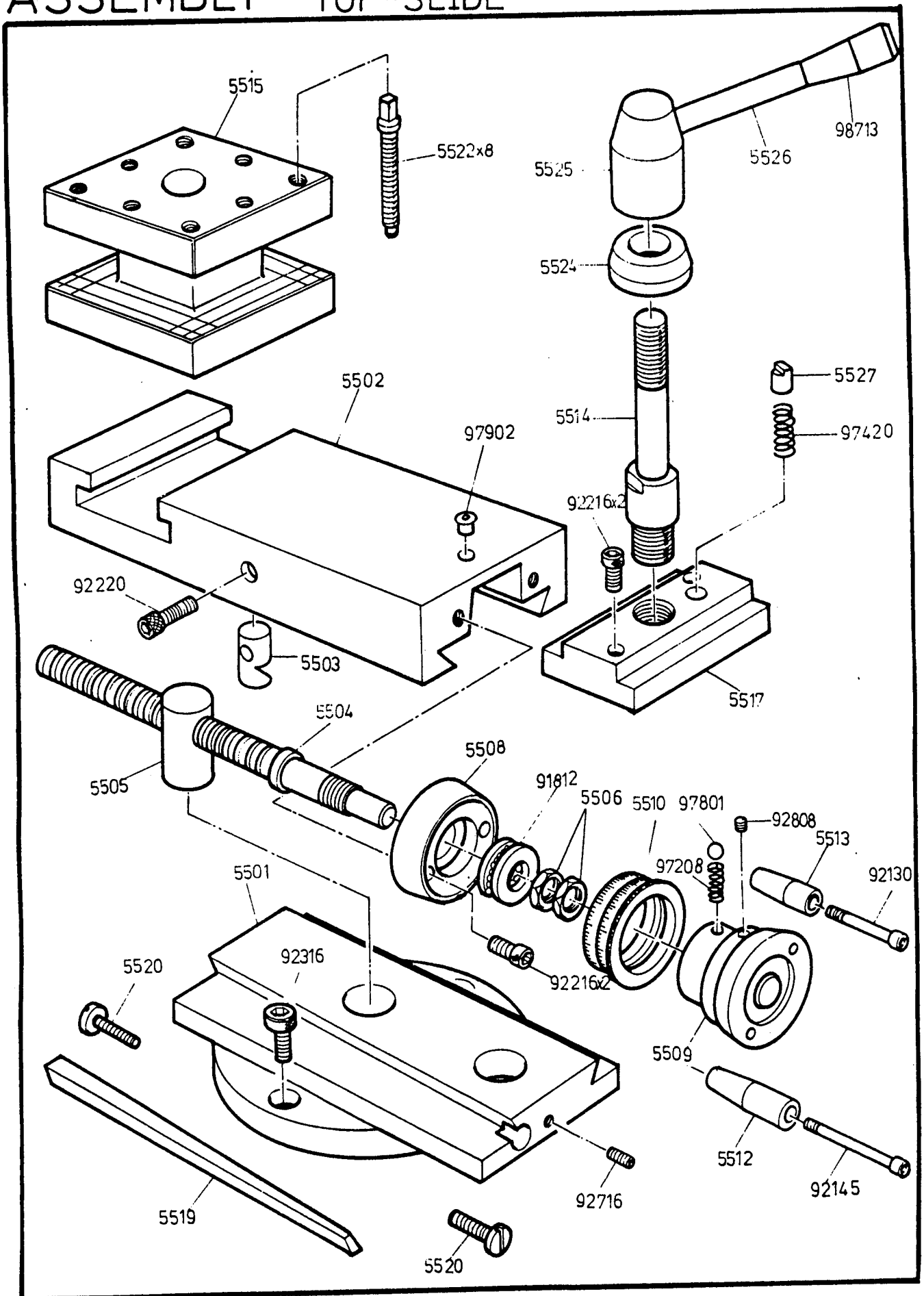


ASSEMBLY SADDLE & CROSS-SLIDE

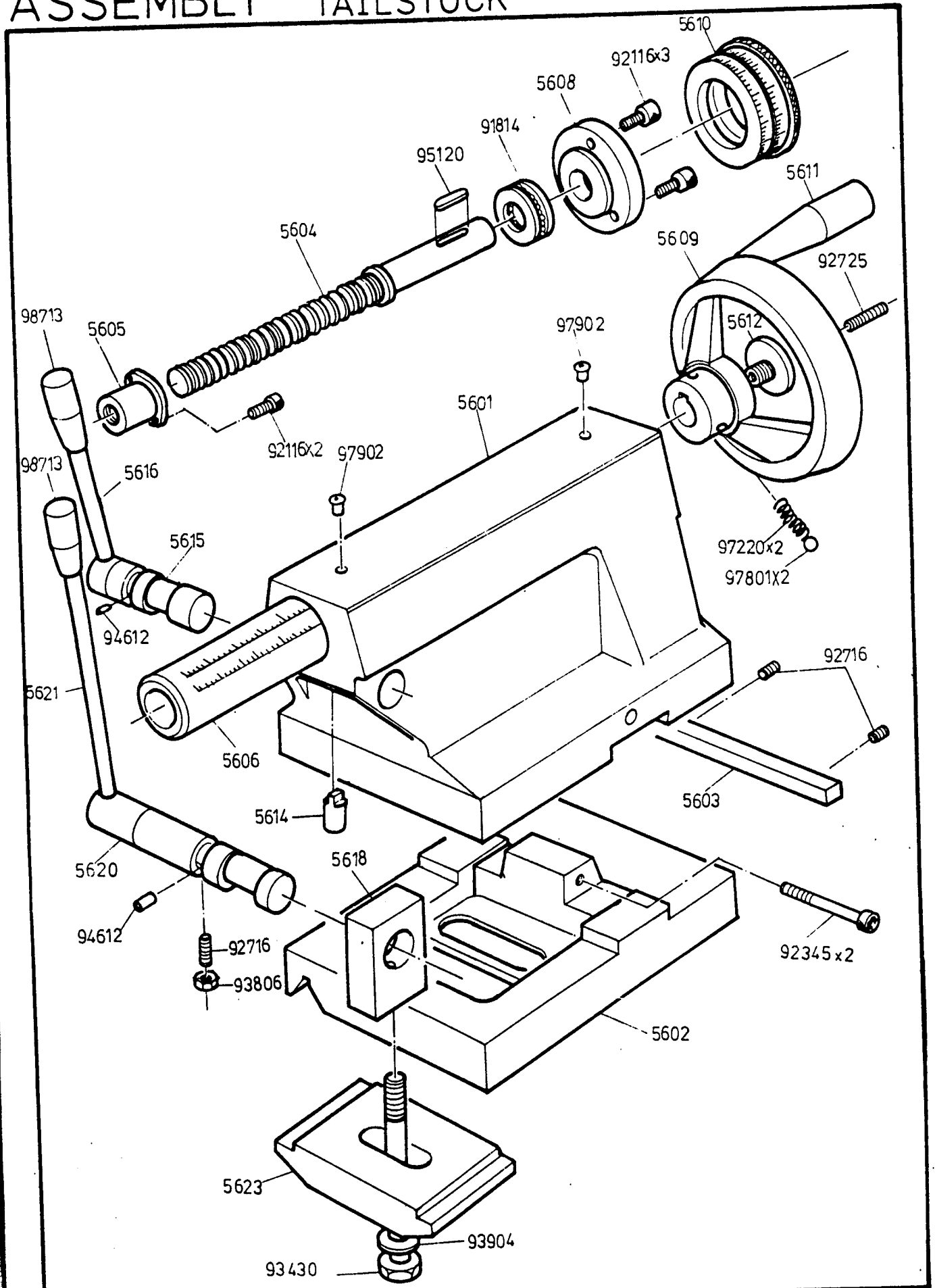


TELESCOPIC TYPE

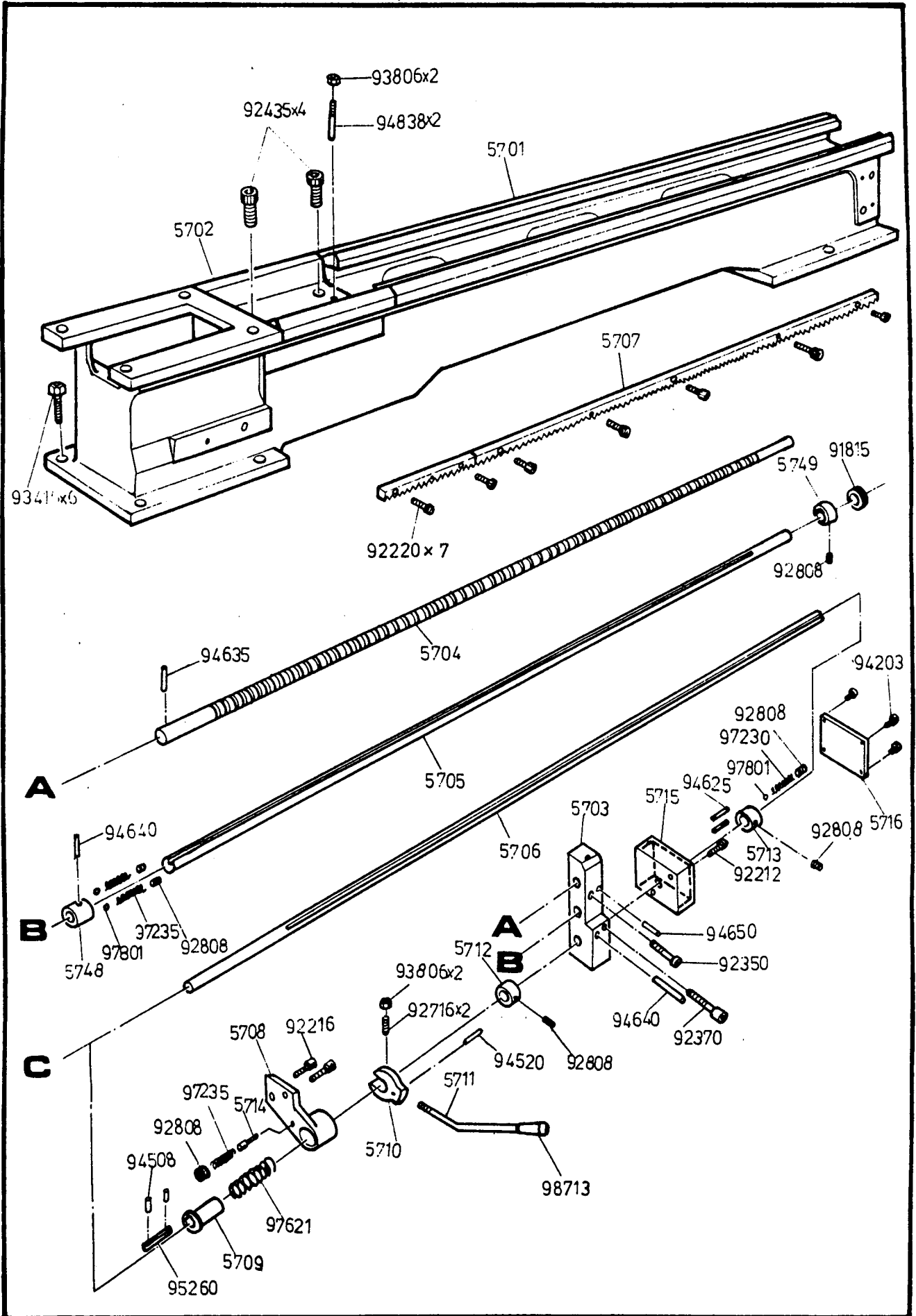
ASSEMBLY TOP-SLIDE



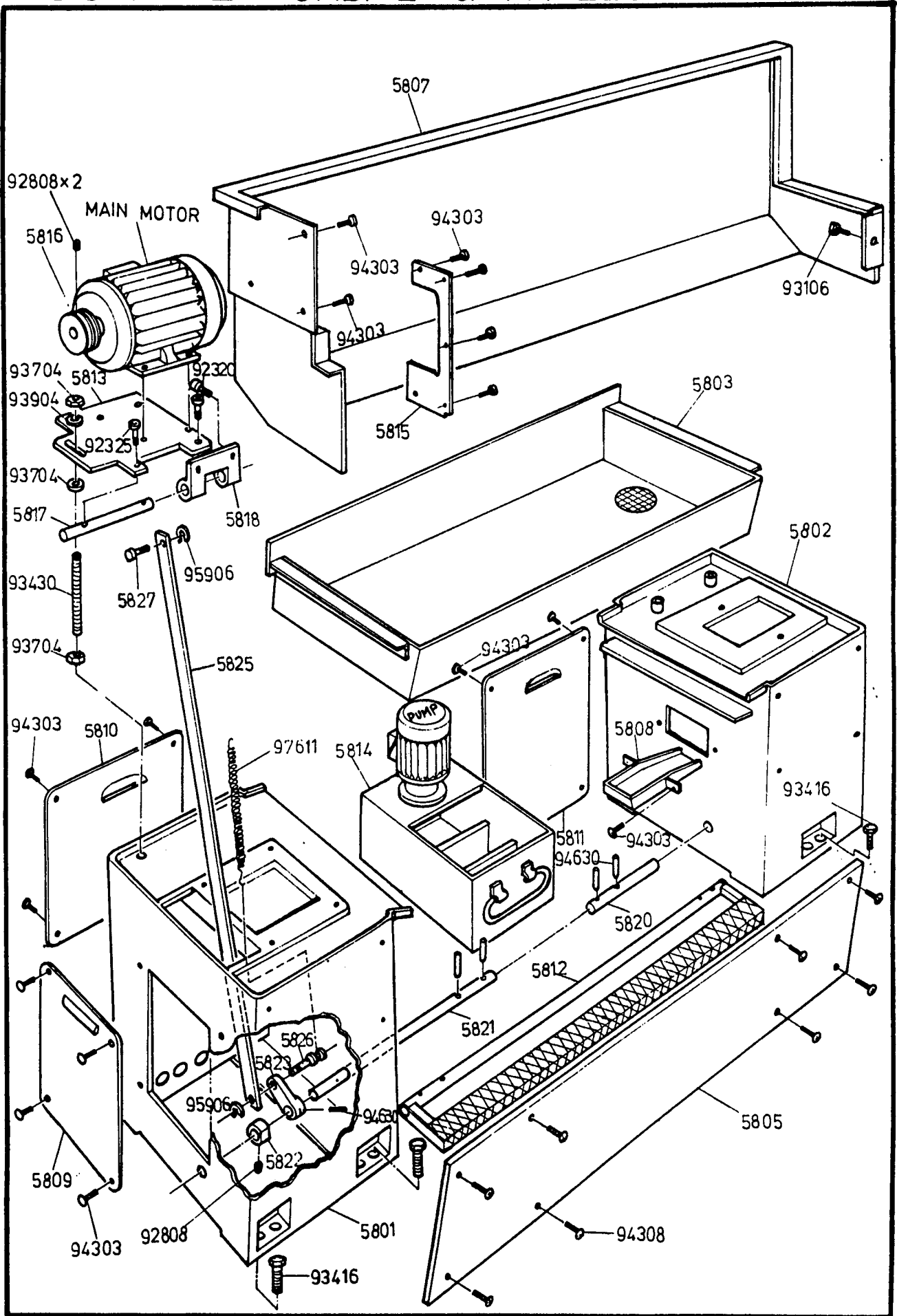
ASSEMBLY TAILSTOCK



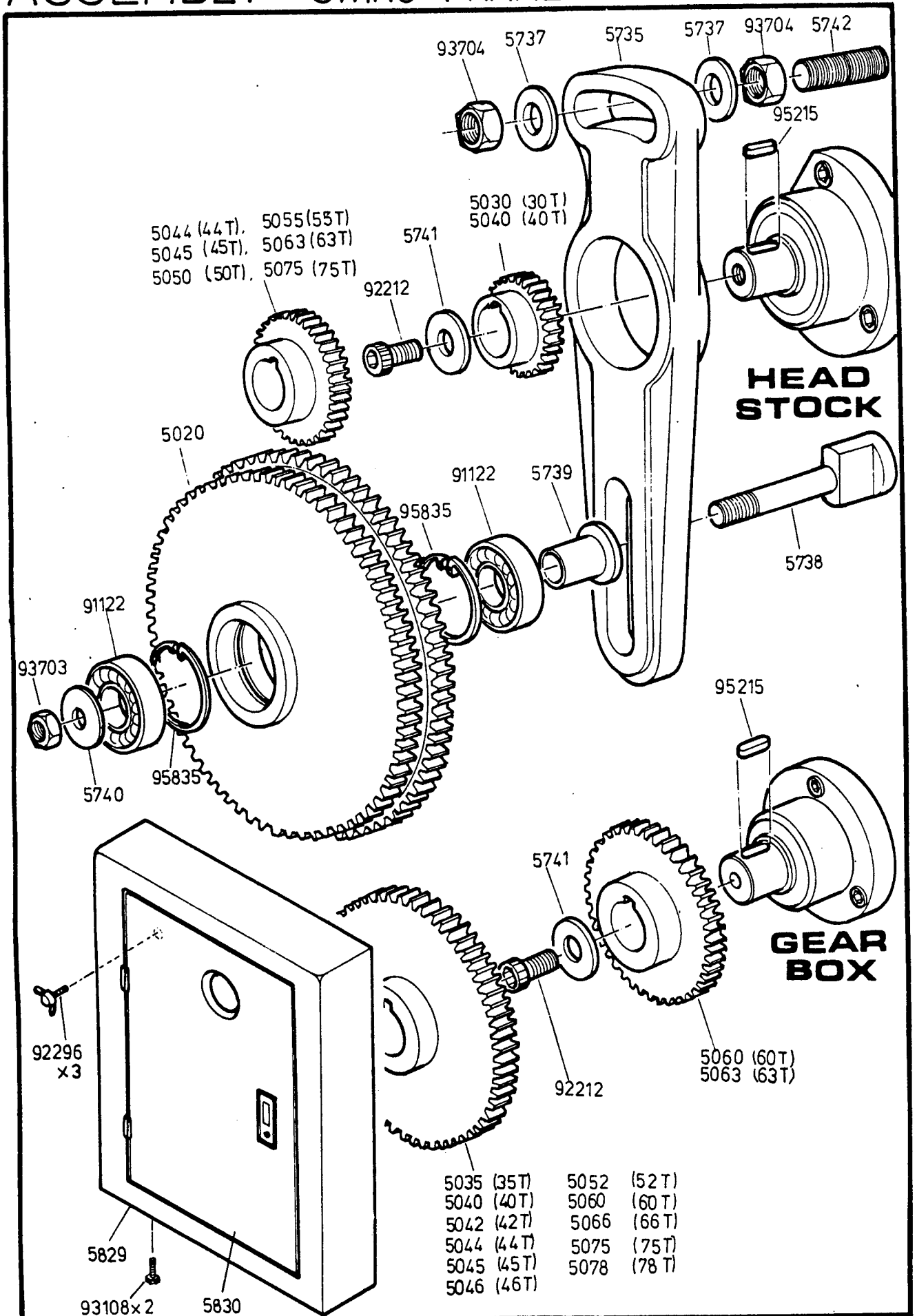
ASSEMBLY BED, SHAFTS



ASSEMBLY CABINET & PANELS



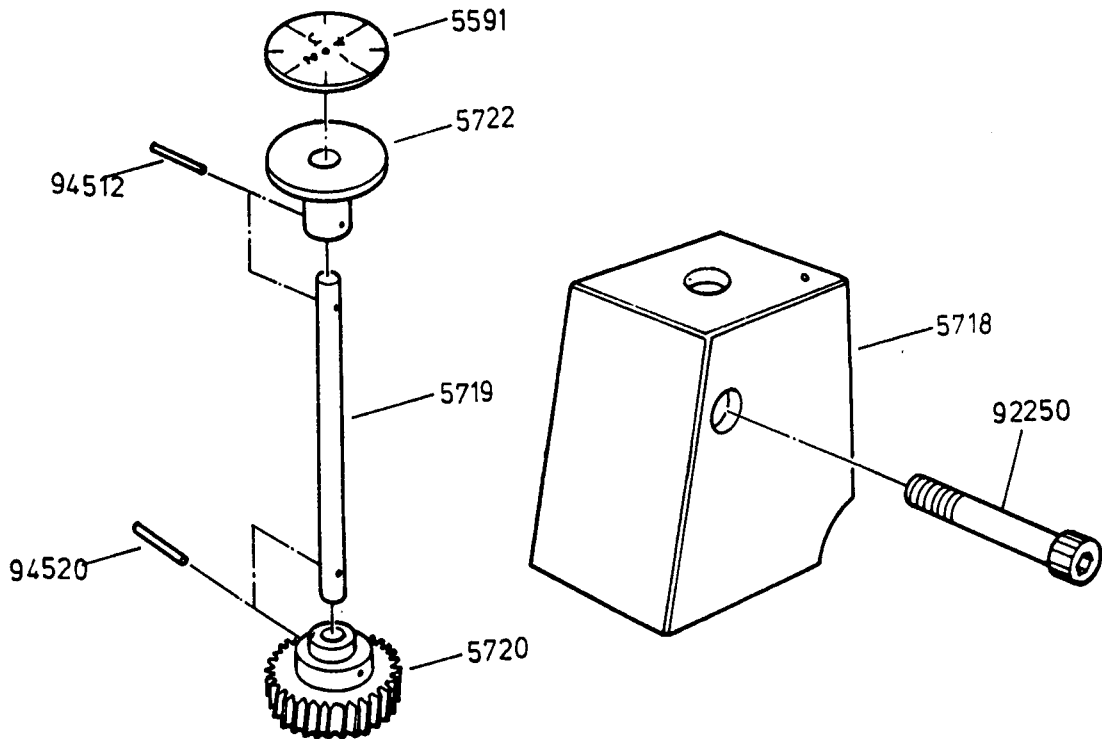
ASSEMBLY SWING FRAME & END GEARS



ASSEMBLY THREADING DAILS

ENGLISH

(LEADSCREW 8 TPI)



METRIC

(LEADSCREW PITCH 4 MM)

